



# Installation instructions, accessories

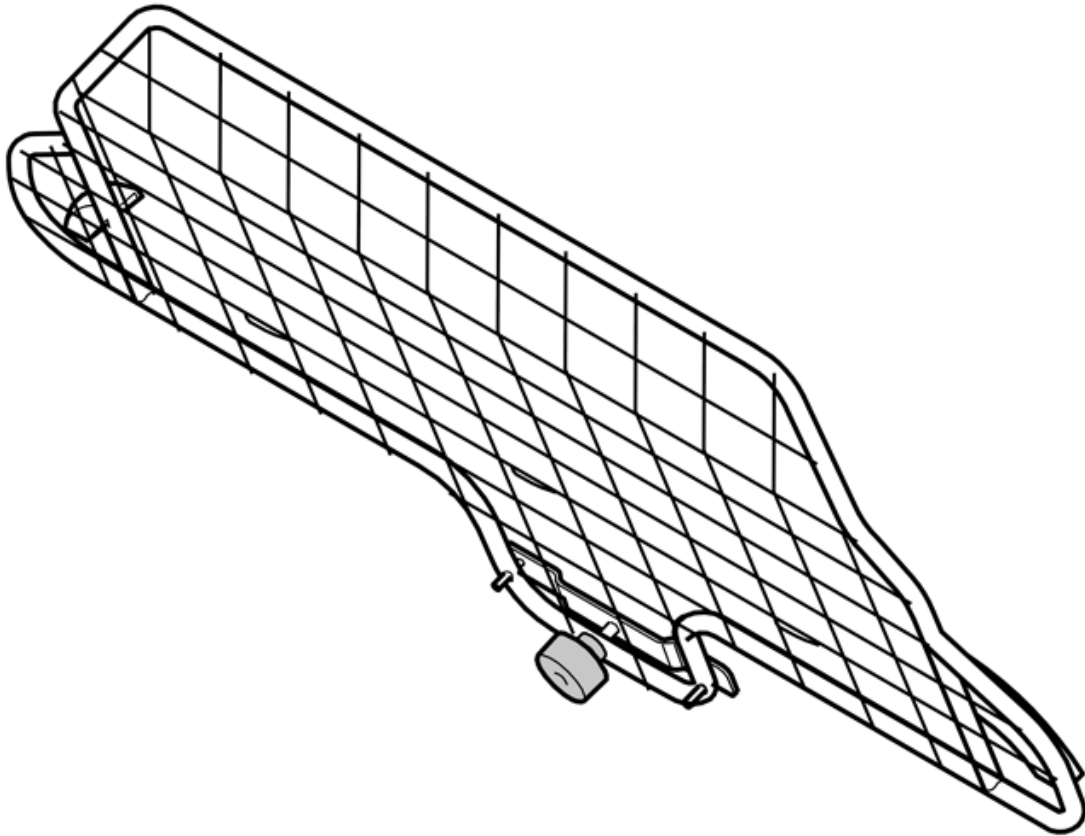
Volvo Car Corporation Gothenburg, Sweden

**Instruction No**  
8641539

**Version**  
1.1

**Part. No.**  
8641489

## Luggage compartment net



R8902549



# Installation instructions, accessories

Volvo Car Corporation Gothenburg, Sweden

## Equipment



A0000163



# Installation instructions, accessories

Volvo Car Corporation Gothenburg, Sweden

## INTRODUCTION

Read through all of the instructions before starting installation.

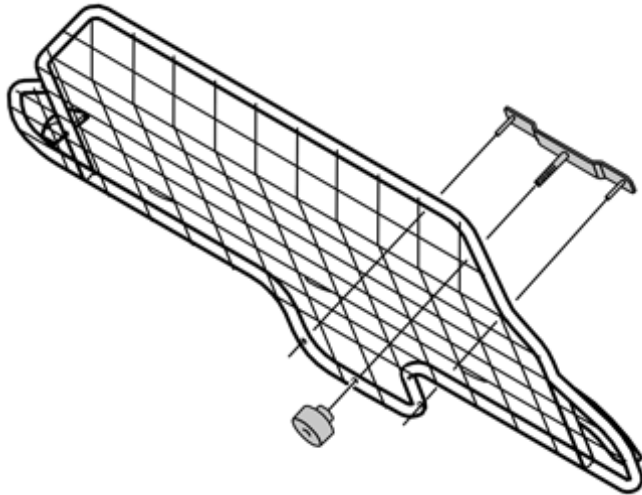
Notifications and warning texts are for your safety and to minimise the risk of something breaking during installation.

Ensure that all tools stated in the instructions are available before starting installation.

Certain steps in the instructions are only presented in the form of images. Explanatory text is also given for more complicated steps.

In the event of any problems with the instructions or the accessory, contact your local Volvo dealer.

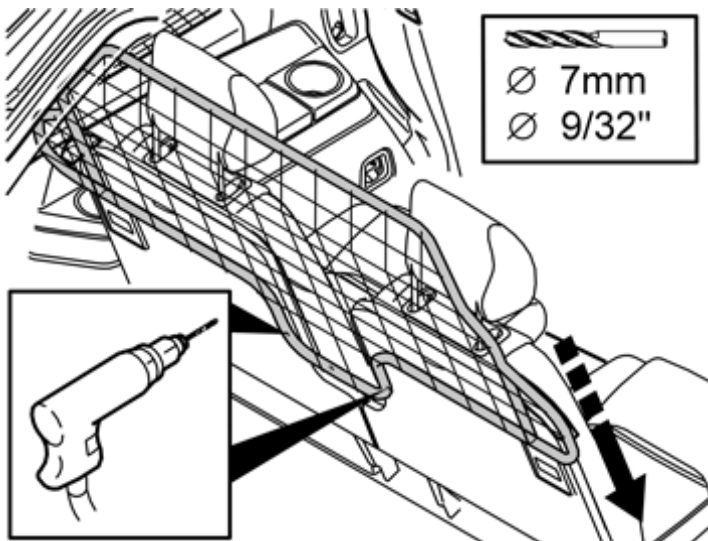
1



R8902550

Remove the locking device from the cargo compartment net by unscrewing the knob and pulling it off.

2



R8902516

Lift in the cargo compartment net through the tailgate. Hang it on the backrest disc as illustrated. Check that the net is horizontal

Drill out the holes in the backrest disc through the existing holes in the cargo compartment net. Use a 7 mm (9/32") diameter drill bit

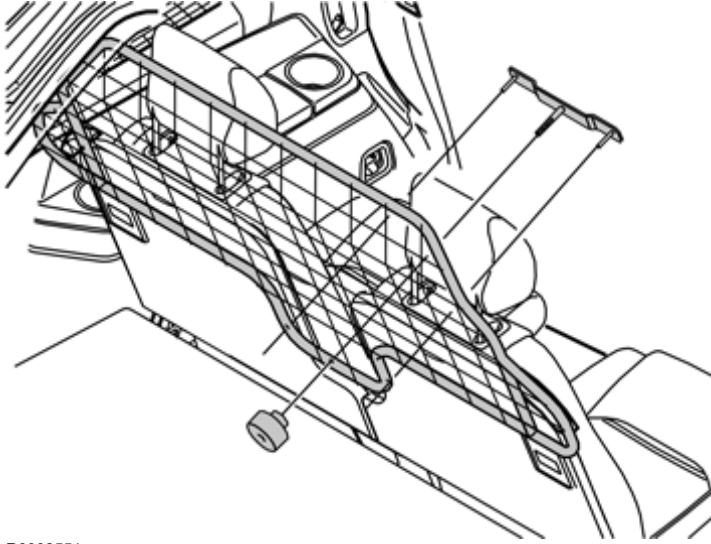
Remove any swarf.



# Installation instructions, accessories

Volvo Car Corporation Gothenburg, Sweden

3



R8902551

Take the striker plate and insert it from the front in the hole where it was disconnected

Insert the locating pins on the striker plate in the newly drilled holes. Take the knob and tighten the striker plate against the backrest disc.