

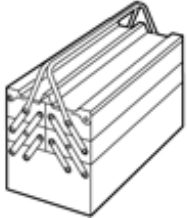
Installation instructions, accessories

Volvo Car Corporation Gothenburg, Sweden

Instruction No 31414902
Version 1.4
Part. No. 31470152

Child seat, isofix mounting, front

Equipment



IMG-345497

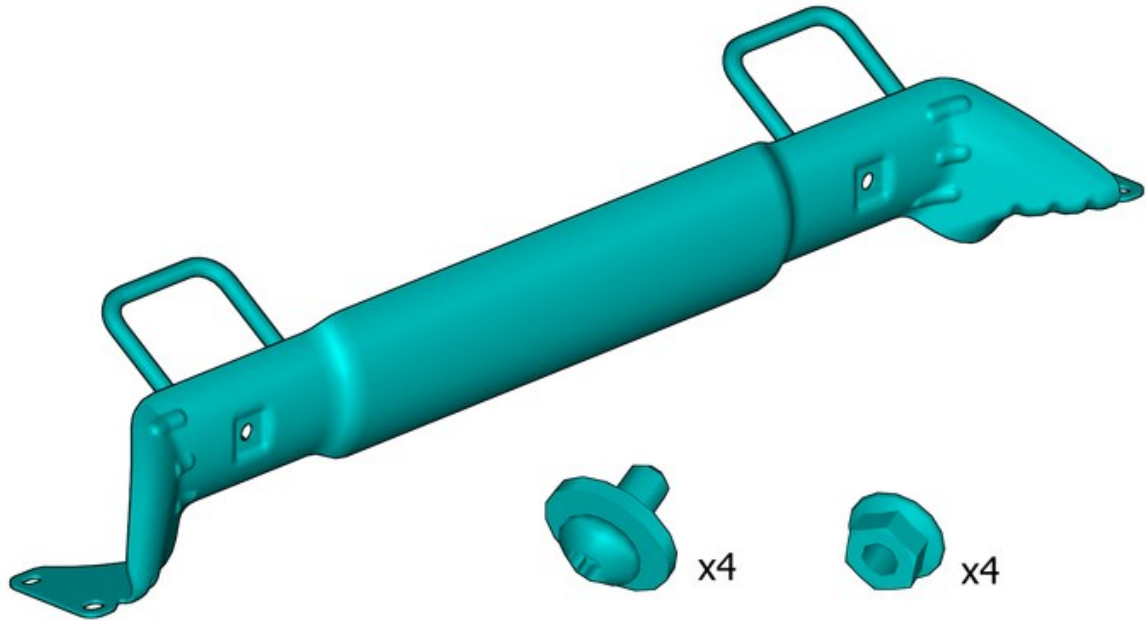


IMG-239664



IMG-239683

Nm
lbf.ft



IMG-450906

Installation instructions, accessories

Volvo Car Corporation Gothenburg, Sweden

Information

1

Read through all of the instructions before starting installation.

Notifications and warning texts are for your safety and to minimise the risk of something breaking during installation.

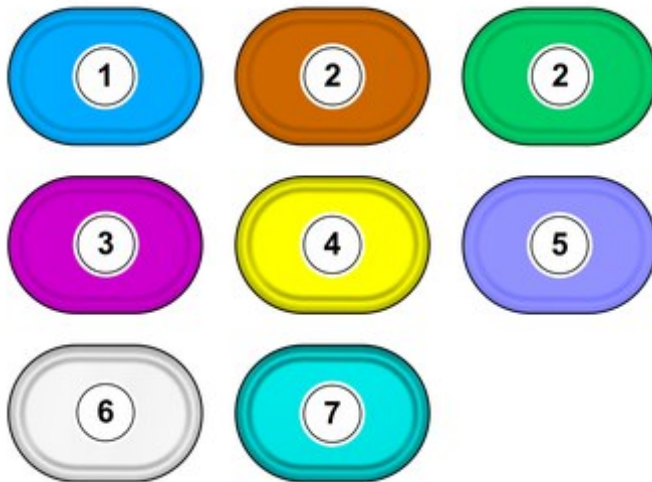
Ensure that all tools stated in the instructions are available before starting installation.

Certain steps in the instructions are only presented in the form of images. Explanatory text is also given for more complicated steps.

In the event of any problems with the instructions or the accessory, contact your local Volvo dealer.

Color symbols

2



IMG-400010

Note!

This colour chart displays (in colour print and electronic version) the importance of the different colours used in the images of the method steps.

1. Used for focused component, the component with which you will do something.
 2. Used as extra colors when you need to show or differentiate additional parts.
 3. Used for attachments that are to be removed/installed. May be screws, clips, connectors, etc.
 4. Used when the component is not fully removed from the vehicle but only hung to the side.
 5. Used for standard tools and special tools.
 6. Used as background color for vehicle components.
 7. Used for accessory components.
-

Preparation

Installation instructions, accessories

Volvo Car Corporation Gothenburg, Sweden

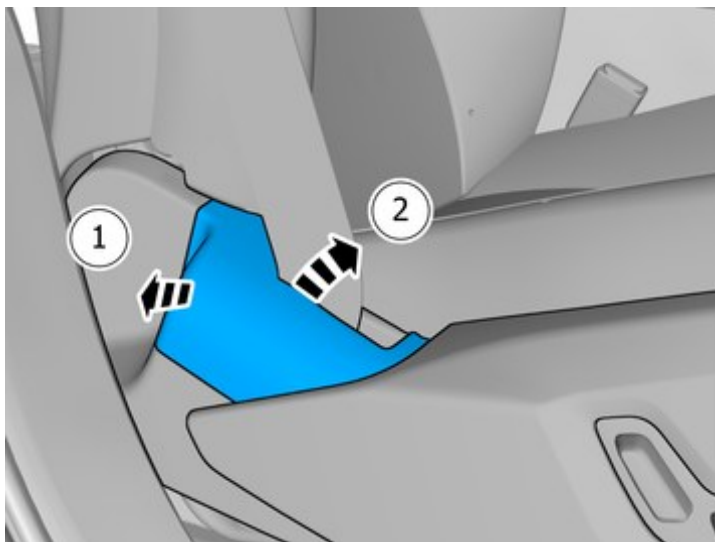
3



IMG-430115

Removal

4



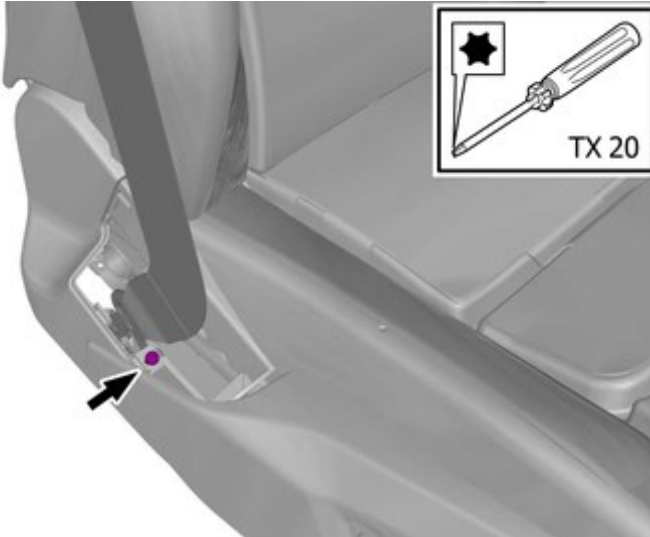
IMG-407355

Remove the marked part.

Installation instructions, accessories

Volvo Car Corporation Gothenburg, Sweden

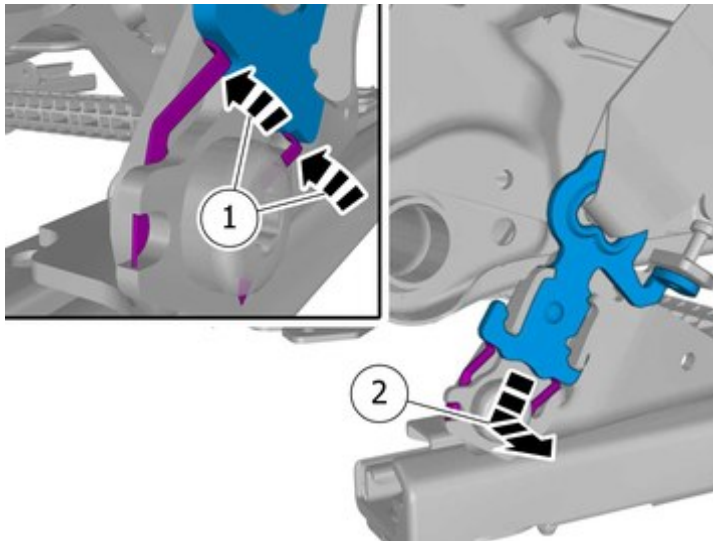
5



IMG-430125

Loosen the component indicated. Do not remove it.

6



IMG-430166

Note!
Make sure that both release at the same time.

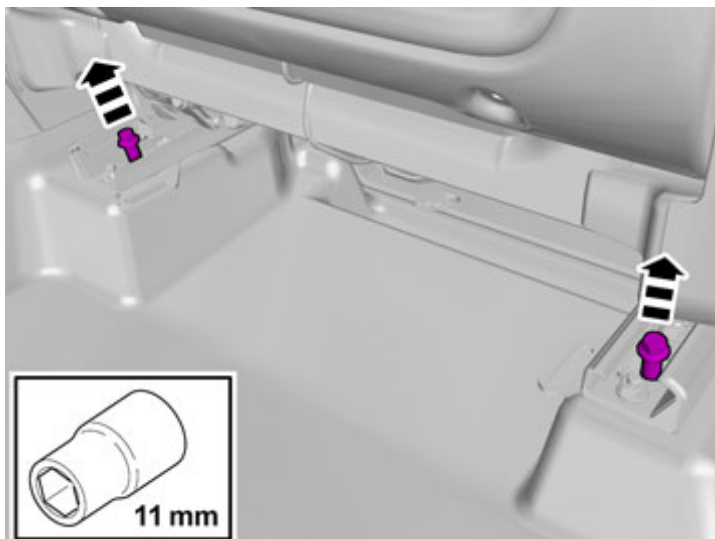
Release the catches.

Remove the marked part.

Installation instructions, accessories

Volvo Car Corporation Gothenburg, Sweden

7



IMG-383130

Remove the screws.

Tightening torque: Front seat to body , 40 Nm

8

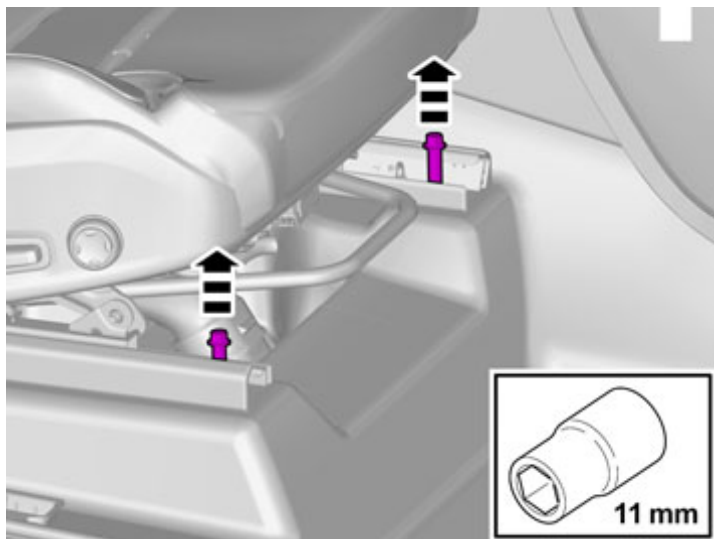


IMG-397249

Installation instructions, accessories

Volvo Car Corporation Gothenburg, Sweden

9



IMG-383129

Remove the screws.

Tightening torque: Front seat to body , 40 Nm

10

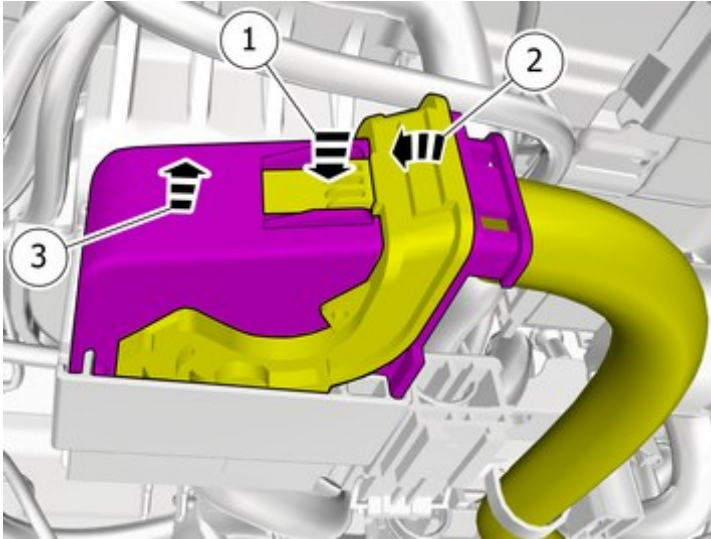


IMG-383134

Installation instructions, accessories

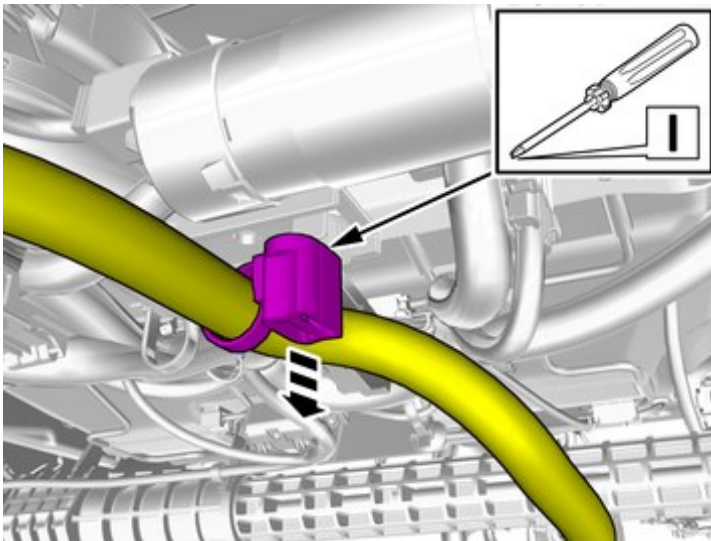
Volvo Car Corporation Gothenburg, Sweden

11



IMG-396605

12



IMG-396606

Unhook the cable harness clips.

Installation instructions, accessories

Volvo Car Corporation Gothenburg, Sweden

13

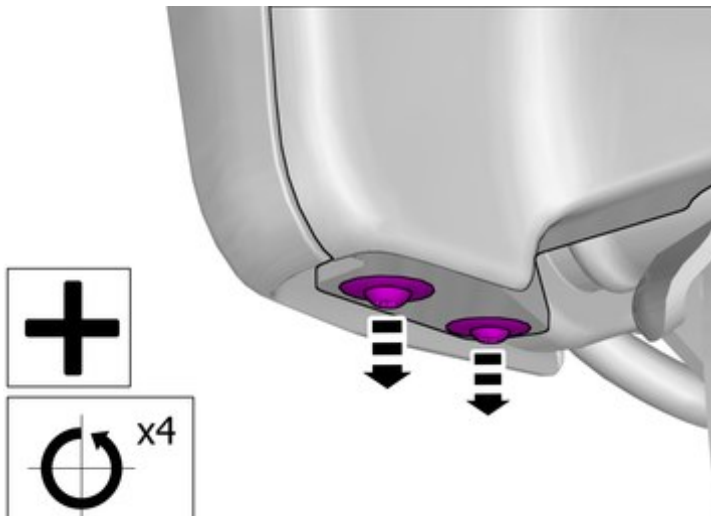


IMG-430110

Caution!

Be extra careful when removing or installing this component.

14



IMG-399304

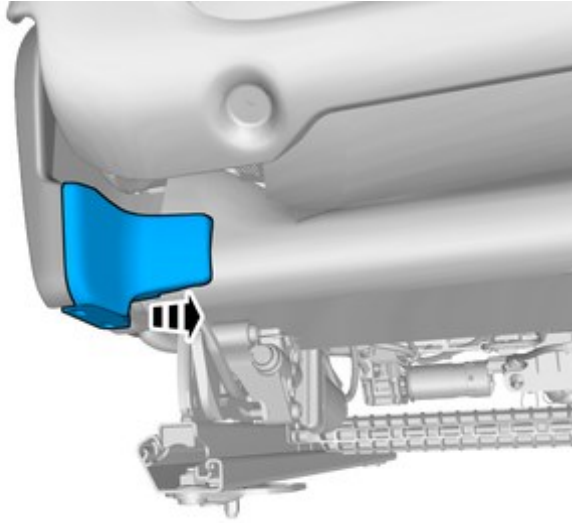
Remove the clips.

Repeat on the other side.

Installation instructions, accessories

Volvo Car Corporation Gothenburg, Sweden

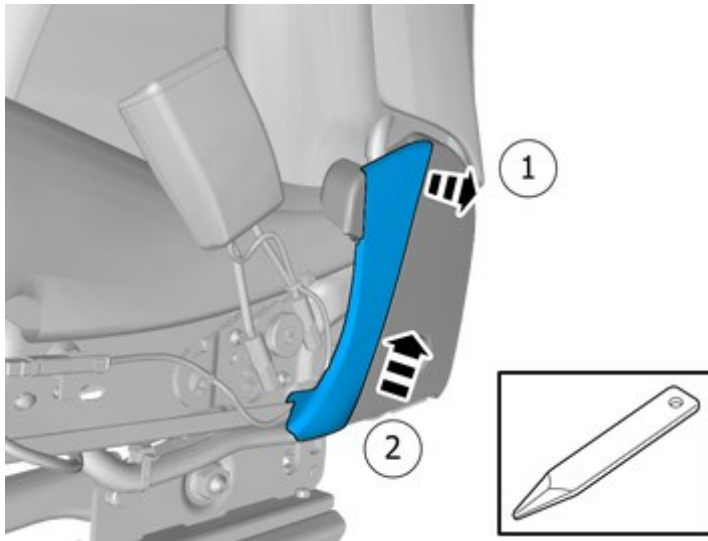
15



IMG-450927

Remove the marked part.
The part is not to be reused.
Repeat on the other side.

16



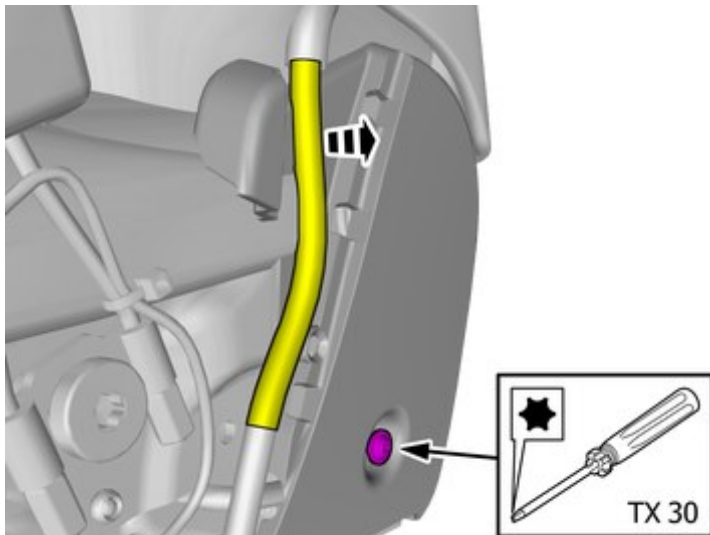
IMG-450843

Remove the marked part.

Installation instructions, accessories

Volvo Car Corporation Gothenburg, Sweden

17

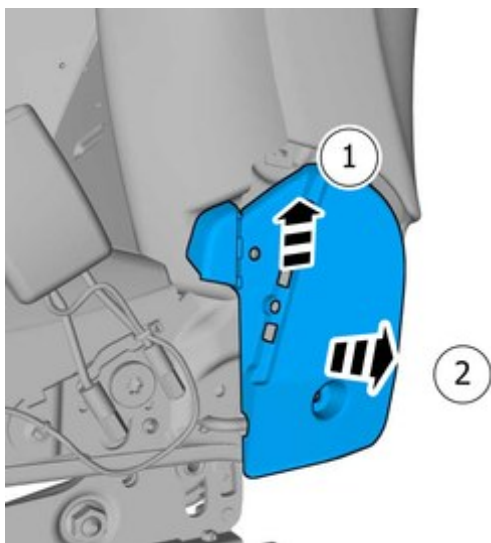


IMG-450847

Remove the cable harness clips.

Remove the screw.

18



IMG-407442

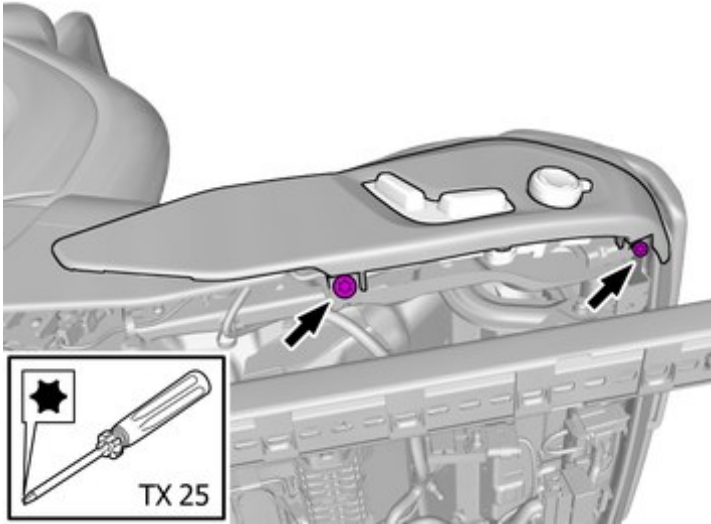
Remove the panel.

Installation instructions, accessories

Volvo Car Corporation Gothenburg, Sweden

19

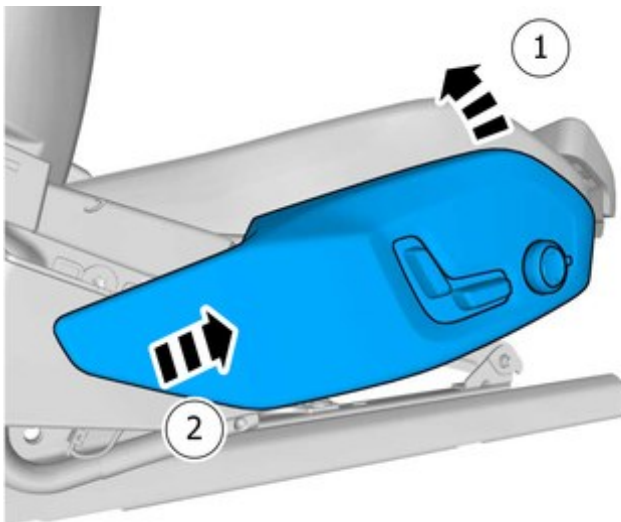
Remove the screws.



IMG-450850

20

Remove the marked part.

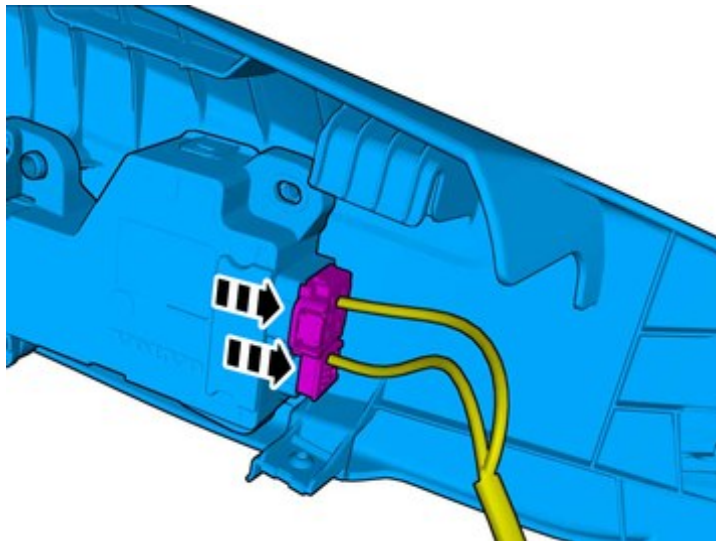


IMG-407530

Installation instructions, accessories

Volvo Car Corporation Gothenburg, Sweden

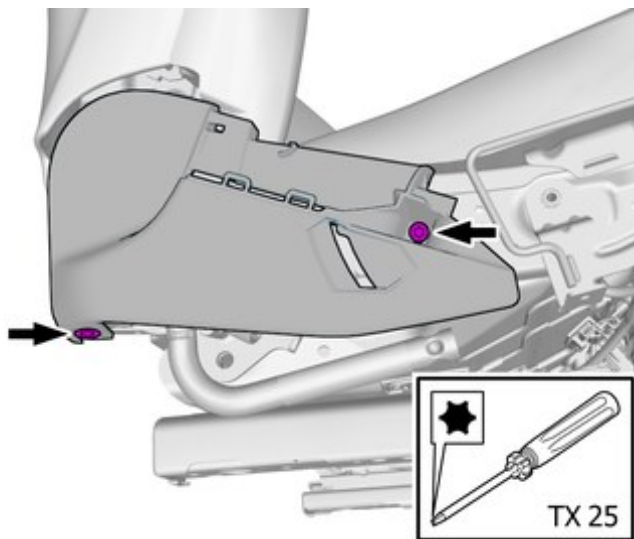
21



IMG-407535

Disconnect the connectors.

22



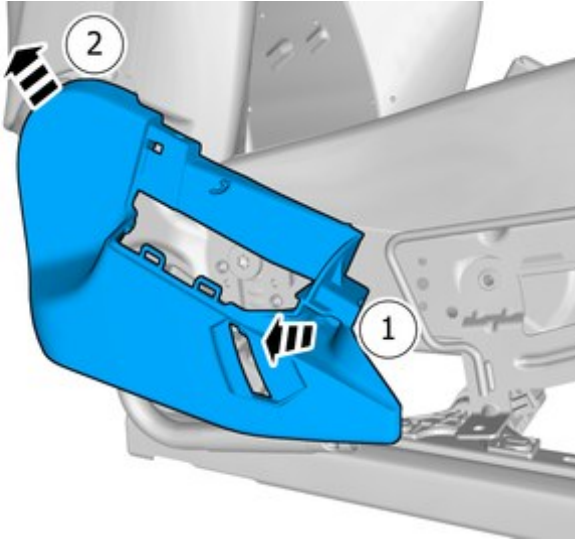
IMG-430121

Remove the screws.

Installation instructions, accessories

Volvo Car Corporation Gothenburg, Sweden

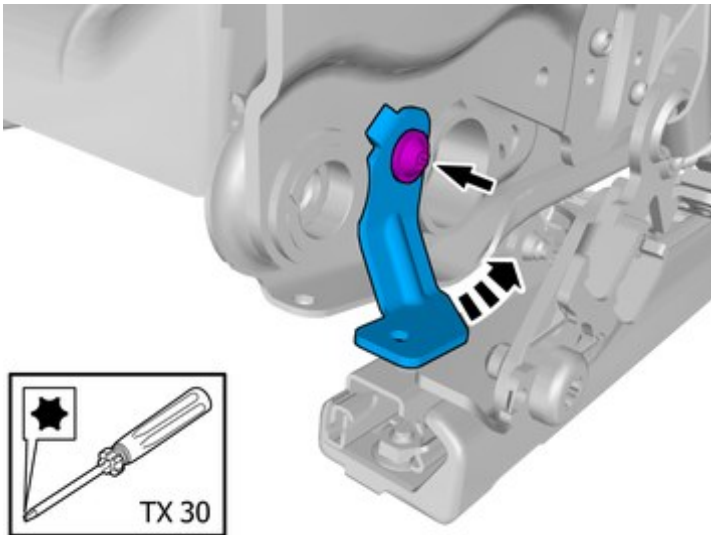
23



Remove the marked part.

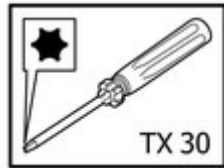
IMG-407546

24



Remove the screw.

Remove the marked part.

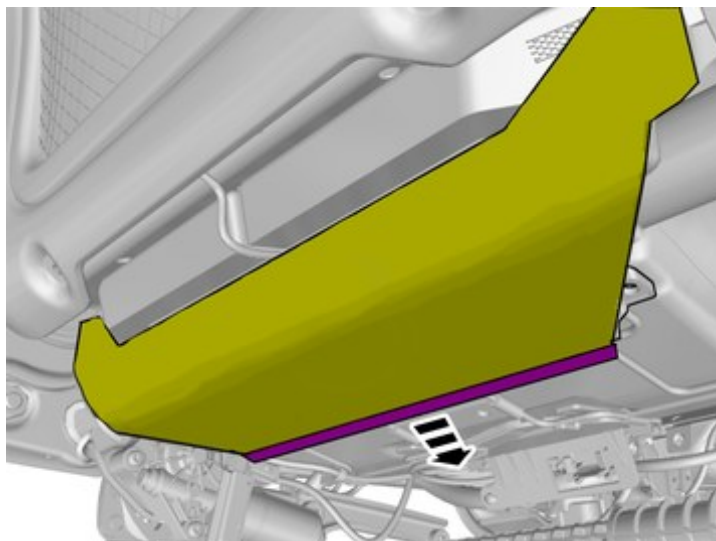


IMG-450857

Installation instructions, accessories

Volvo Car Corporation Gothenburg, Sweden

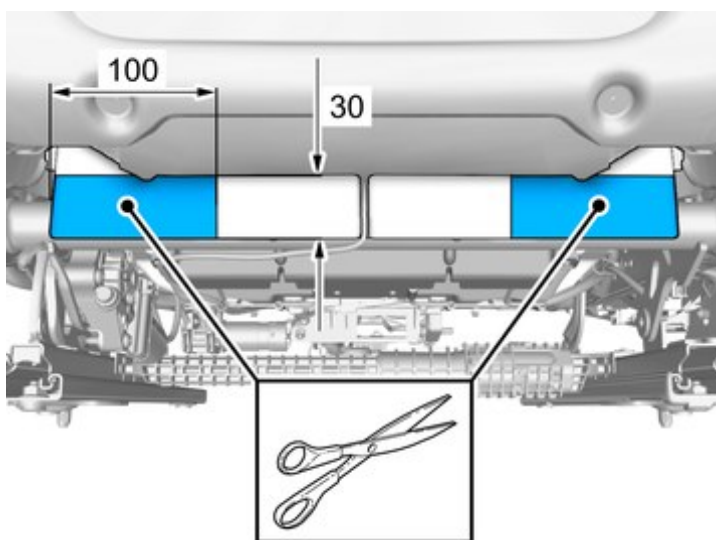
25



IMG-399351

Unhook and remove the upholstery.

26



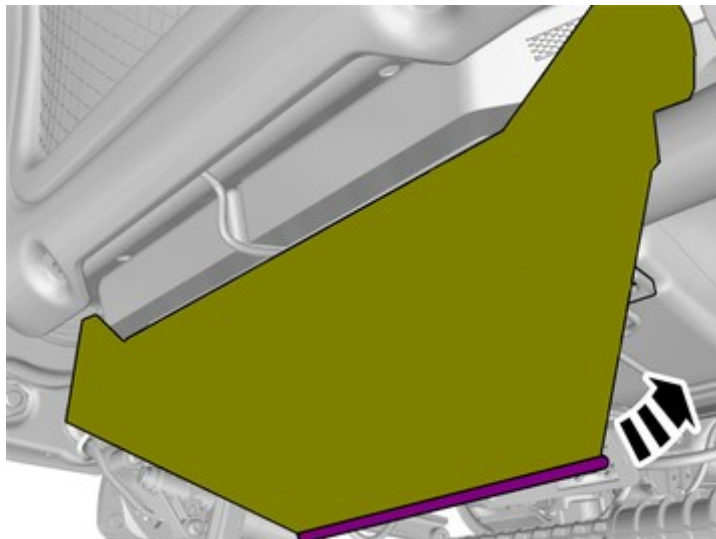
IMG-450870

Remove parts of the padding according to image.

Installation instructions, accessories

Volvo Car Corporation Gothenburg, Sweden

27

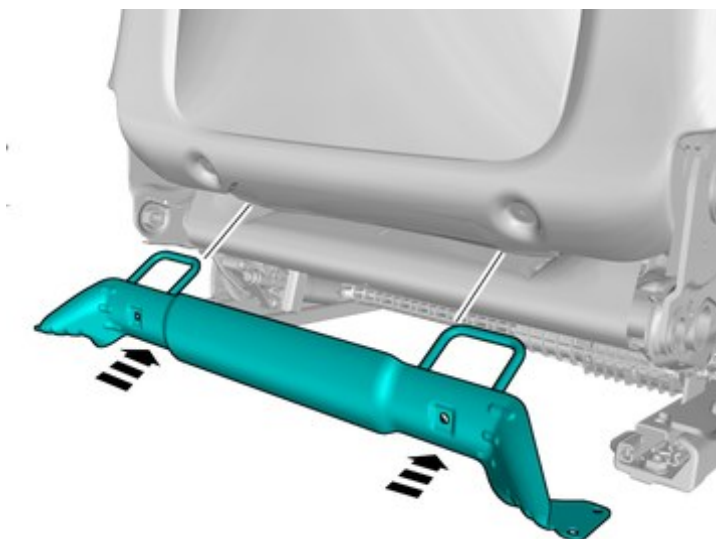


IMG-399355

Reinstall the removed part.

Accessory installation

28



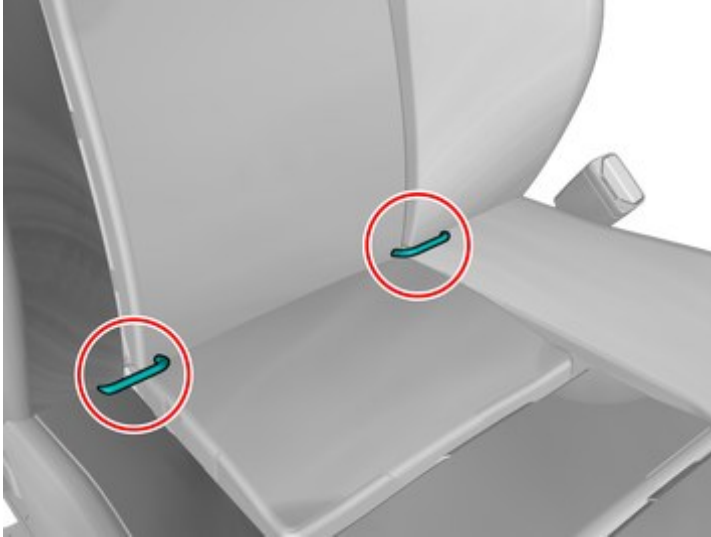
IMG-450919

Install component that comes with the accessory kit.

Installation instructions, accessories

Volvo Car Corporation Gothenburg, Sweden

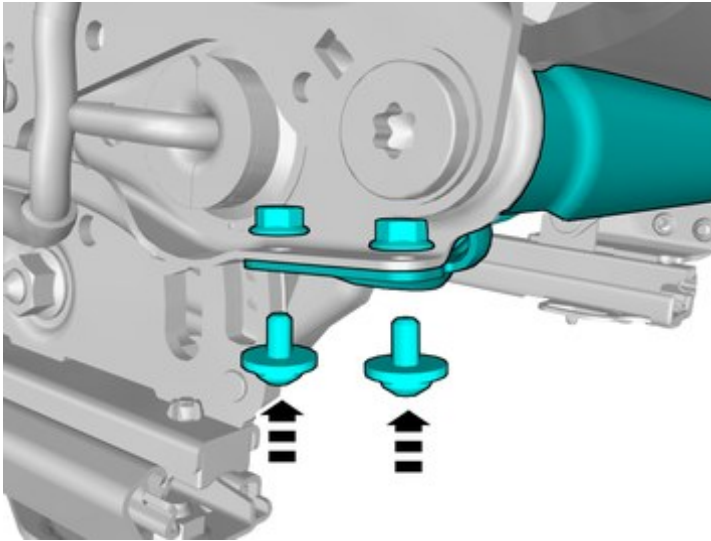
29



IMG-450924

Note!
Orientation view

30



IMG-450901

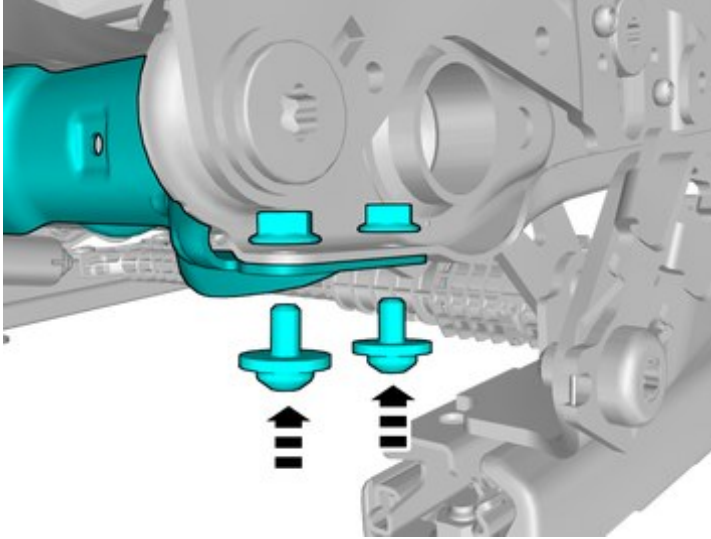
Note!
Do not fully tighten the bolts.

Install components that come with the accessory kit.

Installation instructions, accessories

Volvo Car Corporation Gothenburg, Sweden

31



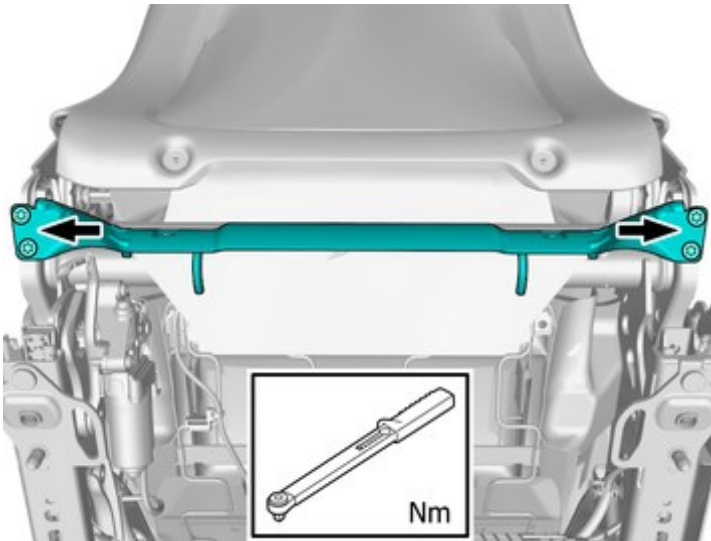
IMG-450902

Note!

Do not fully tighten the bolts.

Install components that come with the accessory kit.

32



IMG-450881

Tighten the bolts.

Tightening torque: M5 , 5 Nm

33

Reinstall the removed parts in reverse order.