

Installation instructions, accessories

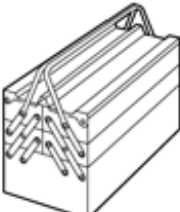



Volvo Car Corporation Gothenburg, Sweden

Instruction No 32270879 **Version** 1.0 **Part. No.** 32207835

Protective plate, beneath the engine

| Special tools | |
|---------------|--|
| | 981 4112 Drill Tool number:981 4112 Tool description:Drill Tool boards:EU99 |
| | 951 2782 Rivet nut tool Tool number:951 2782 Tool description:Rivet nut tool Tool boards:08 |

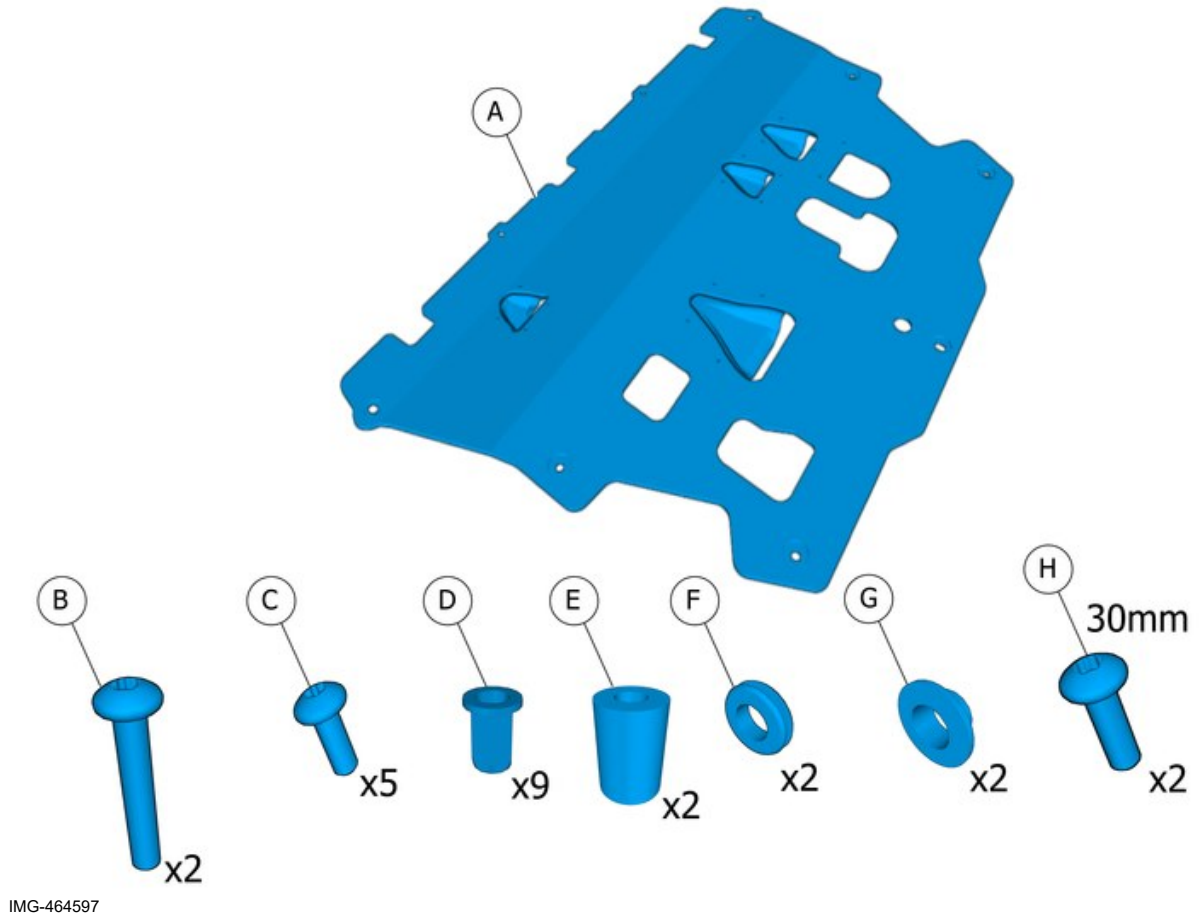
| Materials | |
|-------------------------------|-------------|
| Designation | Part number |
| Rust inhibitor, low viscosity | |

| Equipment | | | |
|---|---|---|--|
|  IMG-345497 |  IMG-239664 |  IMG-239660 |  IMG-239681 |

Nm
lbf.ft

Installation instructions, accessories

Volvo Car Corporation Gothenburg, Sweden



Installation instructions, accessories

Volvo Car Corporation Gothenburg, Sweden

Information

1

Read through all of the instructions before starting installation.

Notifications and warning texts are for your safety and to minimise the risk of something breaking during installation.

Ensure that all tools stated in the instructions are available before starting installation.

Certain steps in the instructions are only presented in the form of images. Explanatory text is also given for more complicated steps.

In the event of any problems with the instructions or the accessory, contact your local Volvo dealer.

Color symbols

2



Note!

This colour chart displays (in colour print and electronic version) the importance of the different colours used in the images of the method steps.

1. Used for focused component, the component with which you will do something.
2. Used as extra colors when you need to show or differentiate additional parts.
3. Used for attachments that are to be removed/installed. May be screws, clips, connectors, etc.
4. Used when the component is not fully removed from the vehicle but only hung to the side.
5. Used for standard tools and special tools.
6. Used as background color for vehicle components.

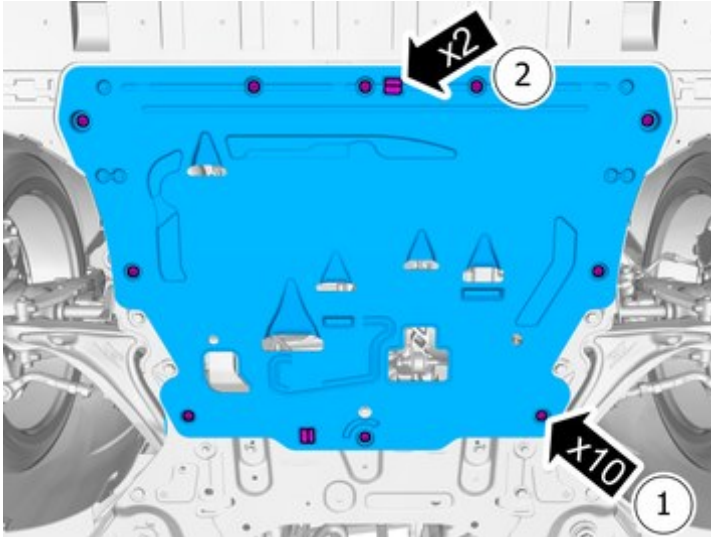
IMG-363036

Removal

Installation instructions, accessories

Volvo Car Corporation Gothenburg, Sweden

3



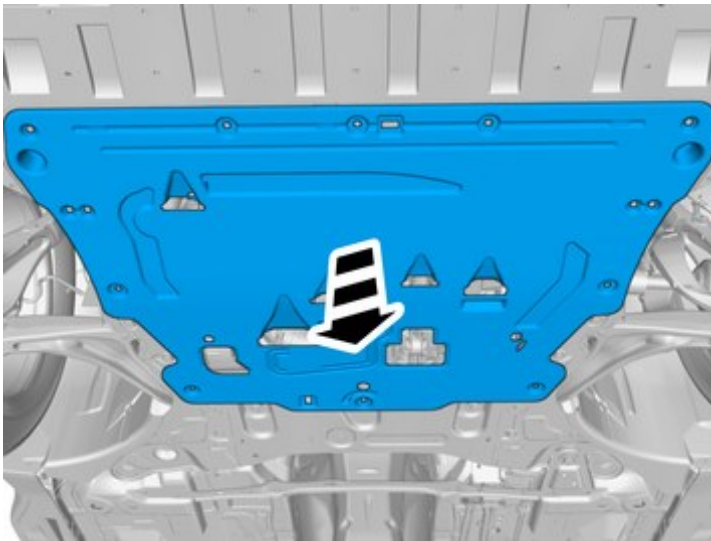
IMG-465413

1. Remove the screws.

2. Remove the clips.

The part is not to be reused.

4



IMG-387158

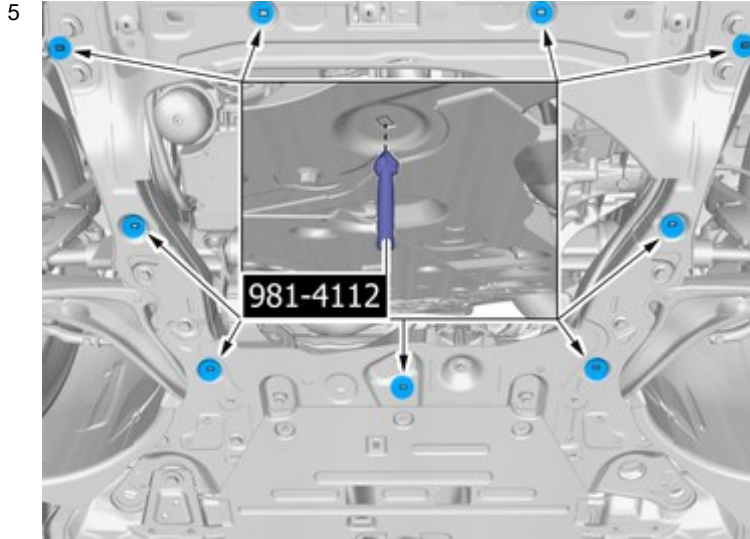
Remove the panel.

The part is not to be reused.

Accessory installation

Installation instructions, accessories

Volvo Car Corporation Gothenburg, Sweden

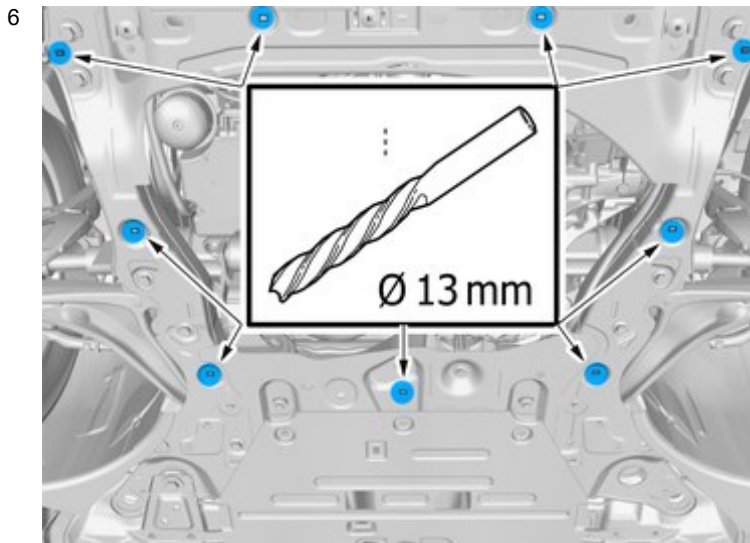


Warning!
Wear protective gloves.

Warning!
Wear safety goggles.

Drill the holes.

Use special tool: T9814112, Drill



Warning!
Wear protective gloves.

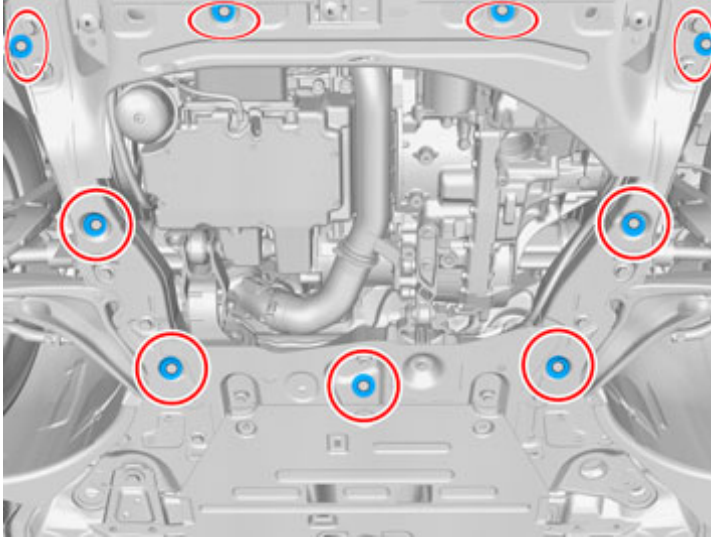
Warning!
Wear safety goggles.

Drill the holes.

Installation instructions, accessories

Volvo Car Corporation Gothenburg, Sweden

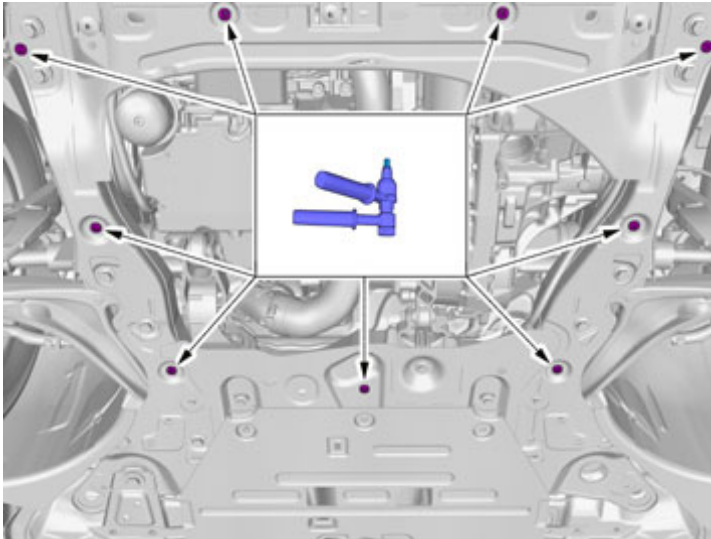
7



IMG-382663

Use: , Rust inhibitor, low viscosity

8

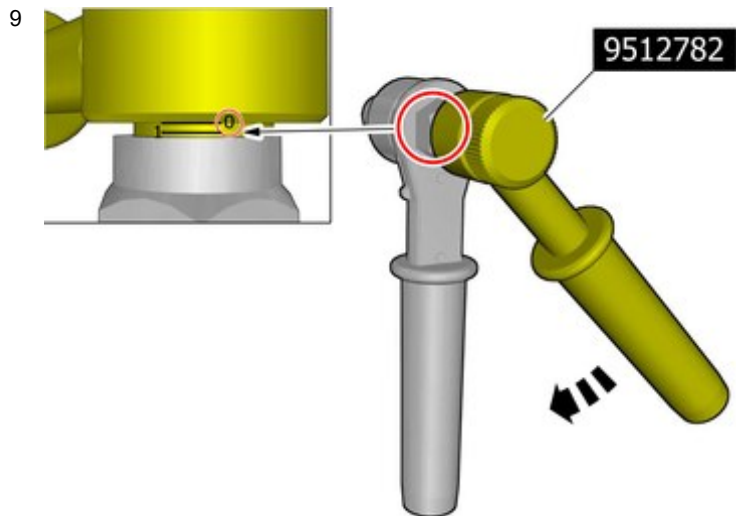


IMG-382636

Note!
Orientation view

Installation instructions, accessories

Volvo Car Corporation Gothenburg, Sweden

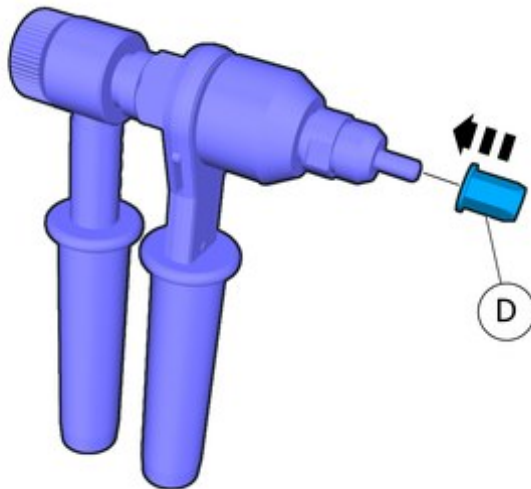


Use special tool: T9512782, Rivet nut tool

Reset the tool.

IMG-372305

10

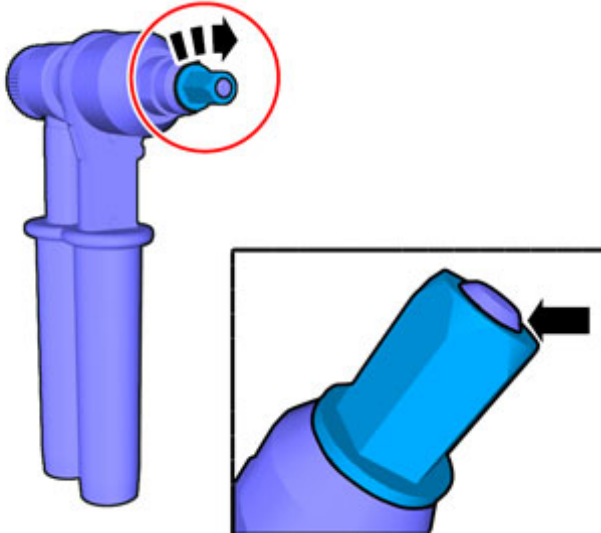


IMG-464604

Installation instructions, accessories

Volvo Car Corporation Gothenburg, Sweden

11

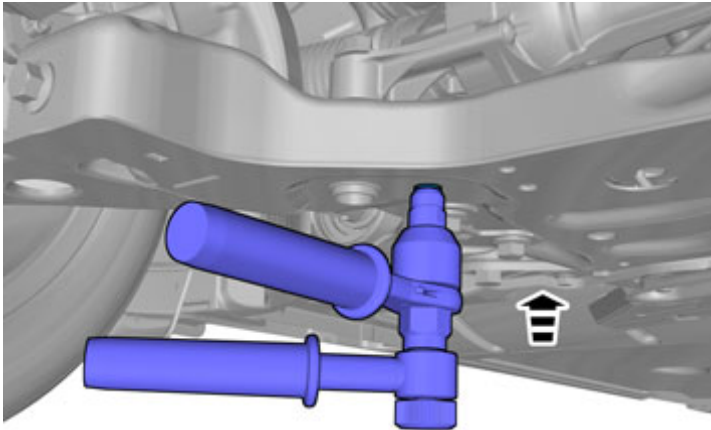


IMG-367098

Use hands only.

The outermost thread of the tool should be flush with the rivet nut end.

12



IMG-372295

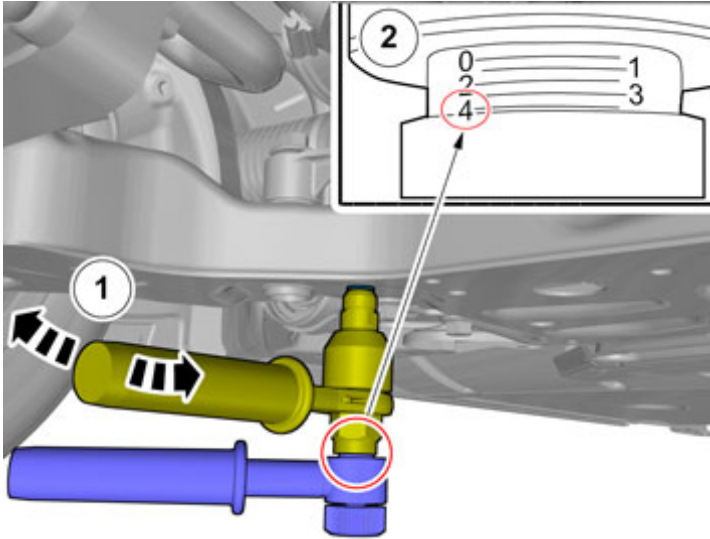
Press the tool against the surface.

Hold the tool at right angles to the surface.

Installation instructions, accessories

Volvo Car Corporation Gothenburg, Sweden

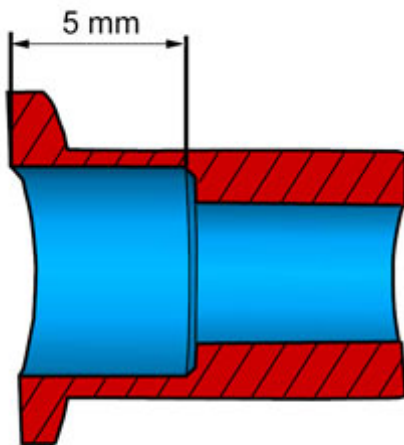
13



IMG-372296

Tighten to the value stated.

14



IMG-373060



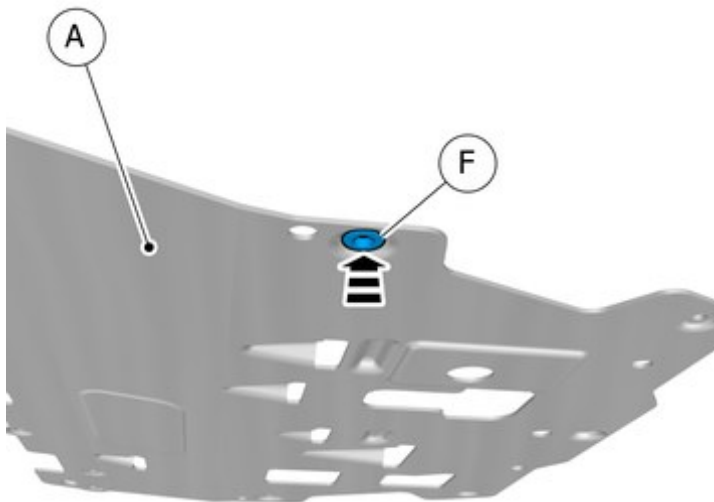
Measure

Use: Vernier caliper

Installation instructions, accessories

Volvo Car Corporation Gothenburg, Sweden

15

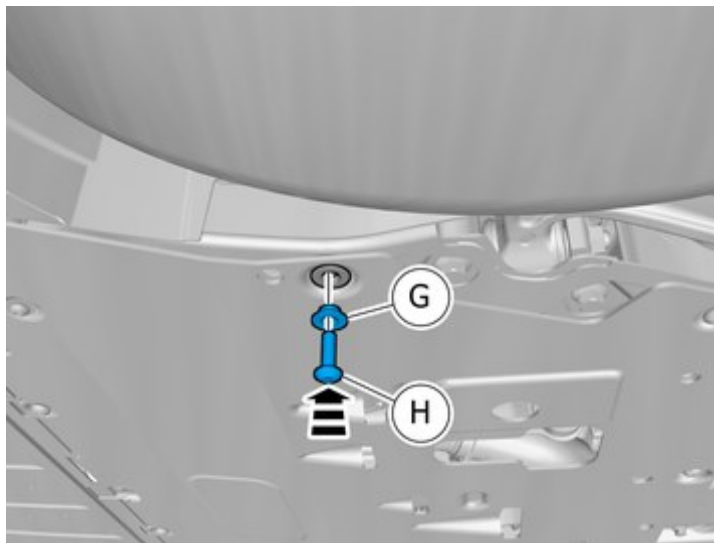


IMG-464561

Install components that come with the accessory kit.

Repeat on the other side.

16



IMG-464568

Note!

Do not fully tighten the bolts.

Install components that come with the accessory kit.

Use the black screws.

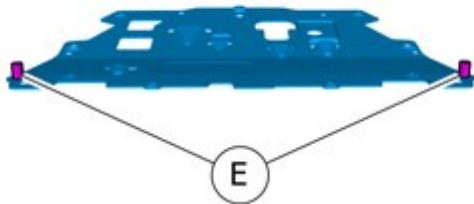
Repeat on the other side.

Installation instructions, accessories

Volvo Car Corporation Gothenburg, Sweden

17

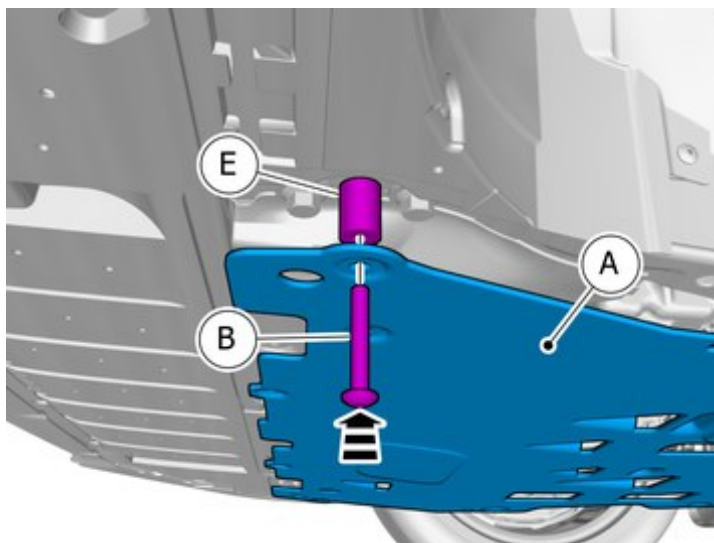
Note!
Orientation view



IMG-464503

18

Note!
Do not fully tighten the bolts.



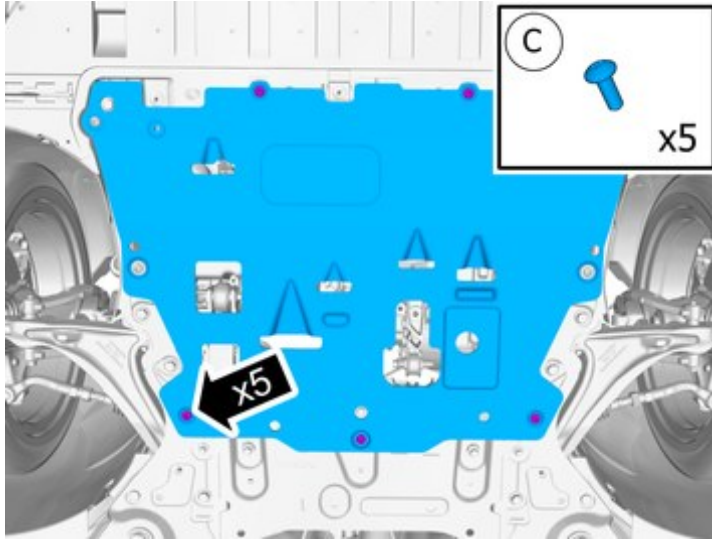
IMG-464605

Install the screws.

Installation instructions, accessories

Volvo Car Corporation Gothenburg, Sweden

19

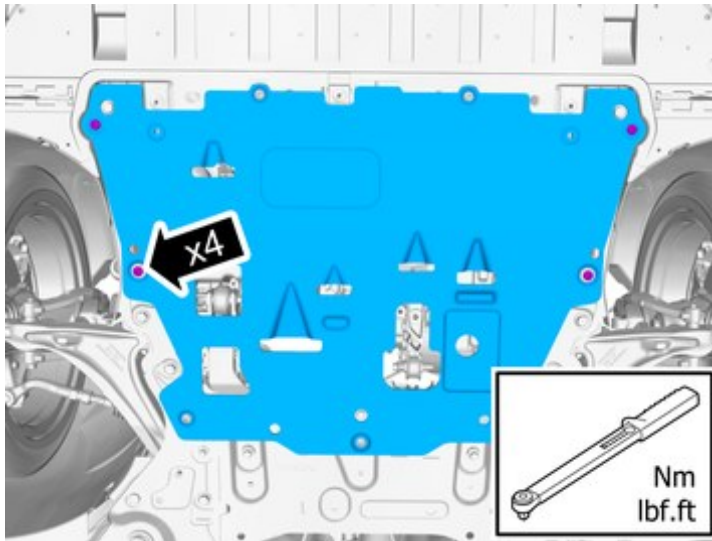


IMG-464615

Tighten the bolts.

Tightening torque: M10 , 50 Nm

20



IMG-464616

Tighten the bolts.

Tightening torque: M10 , 50 Nm