



Installation instructions, accessories

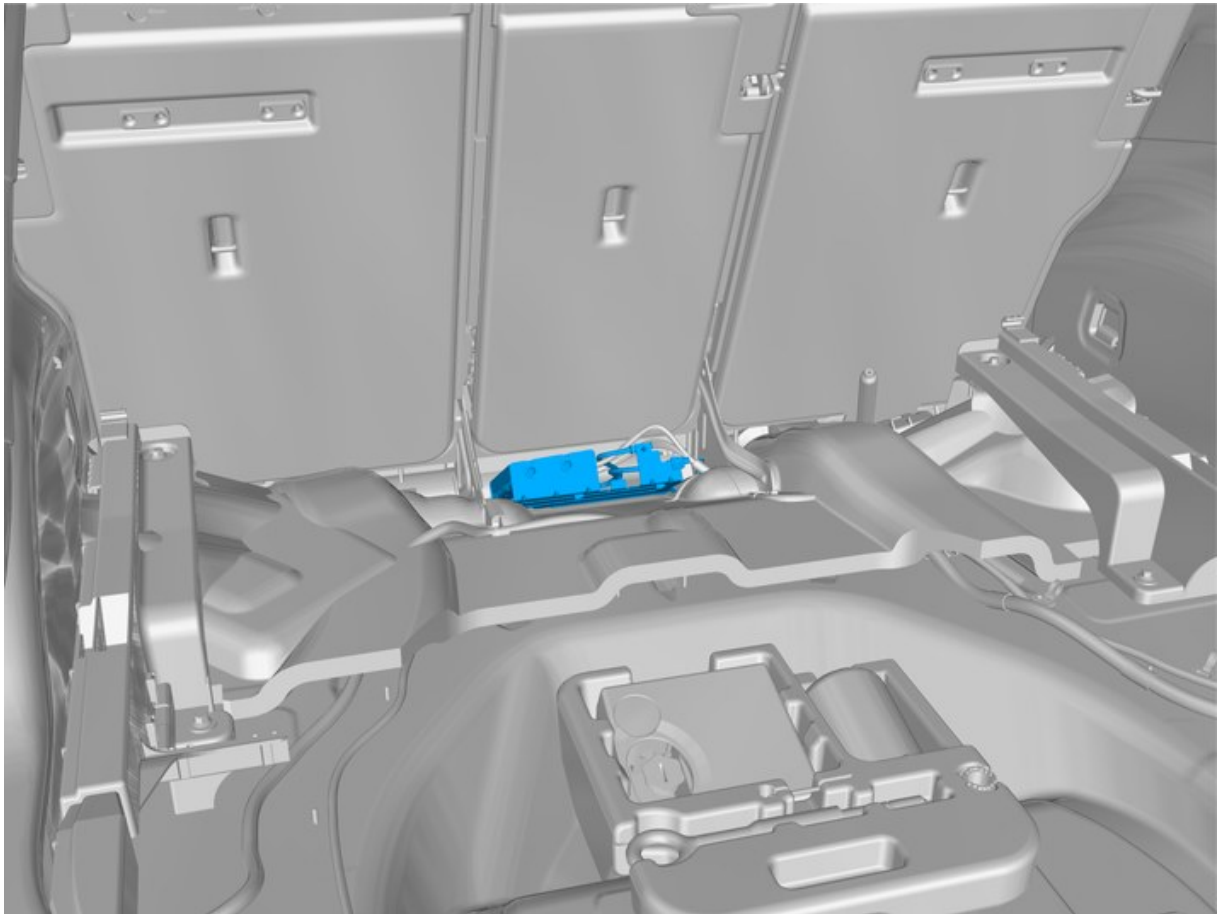
Volvo Car Corporation Gothenburg, Sweden

Instruction No
31470356

Version
1.3

Part. No.
32270870

Digital radio, DAB



IMG-394921



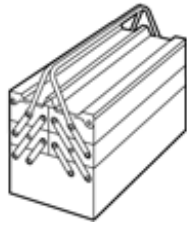
Installation instructions, accessories

Volvo Car Corporation Gothenburg, Sweden

Equipment

VIDA

IMG-242205

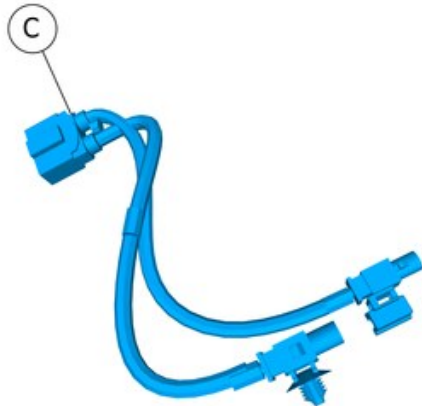
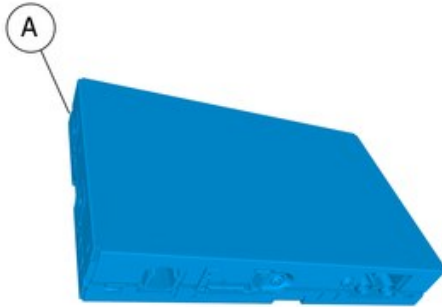


IMG-345497

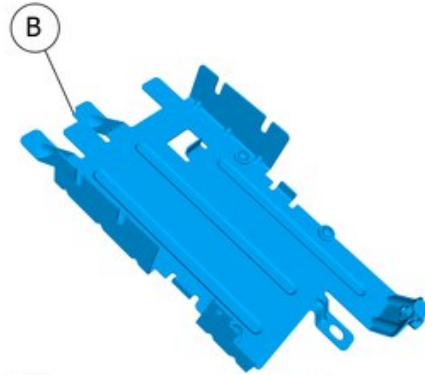


IMG-239664

Nm
lbf.ft



IMG-394782





Installation instructions, accessories

Volvo Car Corporation Gothenburg, Sweden

Information

1

Read through all of the instructions before starting installation.

Notifications and warning texts are for your safety and to minimise the risk of something breaking during installation.

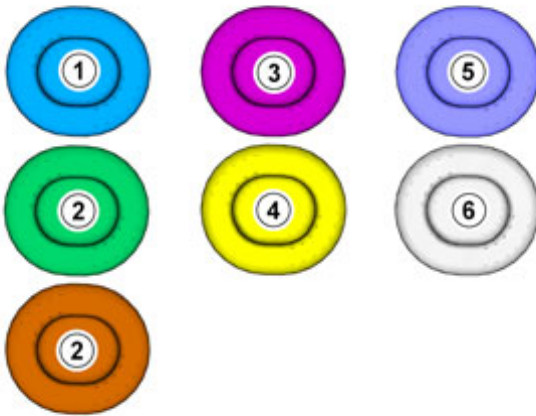
Ensure that all tools stated in the instructions are available before starting installation.

Certain steps in the instructions are only presented in the form of images. Explanatory text is also given for more complicated steps.

In the event of any problems with the instructions or the accessory, contact your local Volvo dealer.

Color symbols

2



Note!

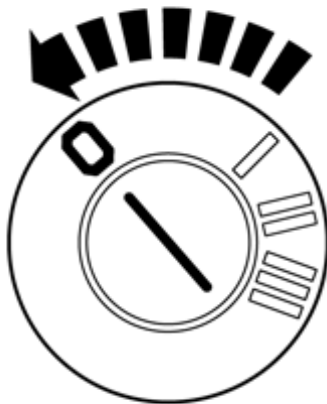
This colour chart displays (in colour print and electronic version) the importance of the different colours used in the images of the method steps.

1. Used for focused component, the component with which you will do something.
2. Used as extra colors when you need to show or differentiate additional parts.
3. Used for attachments that are to be removed/installed. May be screws, clips, connectors, etc.
4. Used when the component is not fully removed from the vehicle but only hung to the side.
5. Used for standard tools and special tools.
6. Used as background color for vehicle components.

IMG-363036

3

Set the ignition key to position 0.



IMG-332193



Installation instructions, accessories

Volvo Car Corporation Gothenburg, Sweden

Removal

4



IMG-395390

5



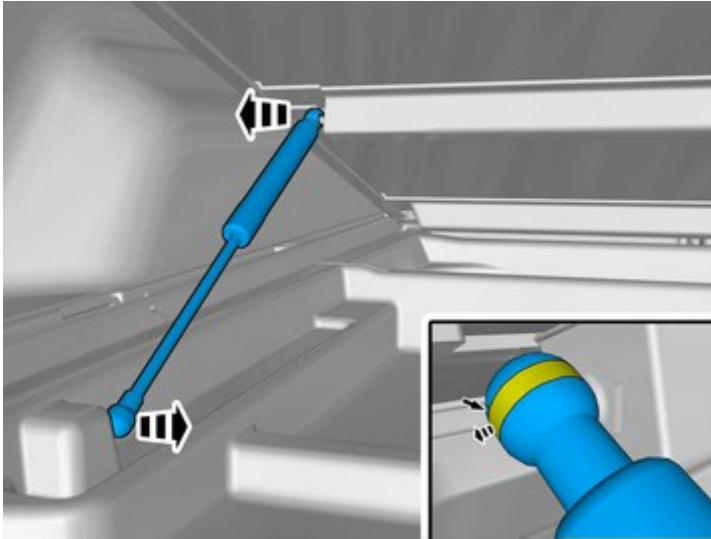
IMG-395396



Installation instructions, accessories

Volvo Car Corporation Gothenburg, Sweden

6



IMG-395422

Remove the marked part.

7



IMG-395427



Installation instructions, accessories

Volvo Car Corporation Gothenburg, Sweden

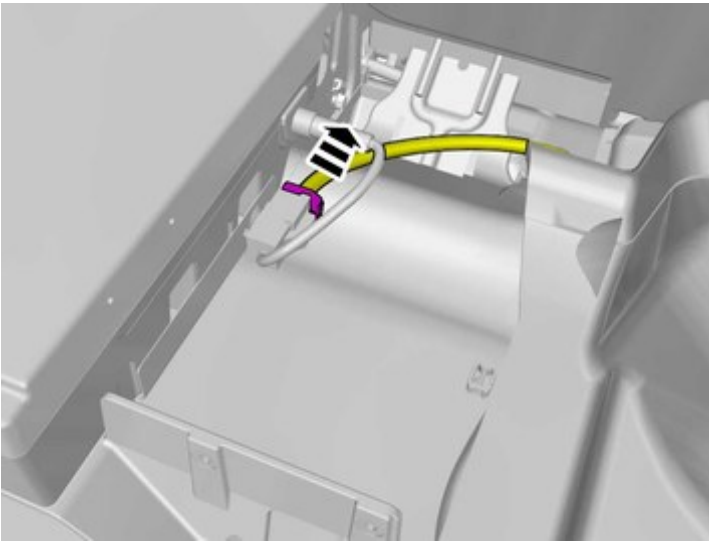
8



IMG-395409

Vehicles with subwoofer speaker

9



IMG-395146

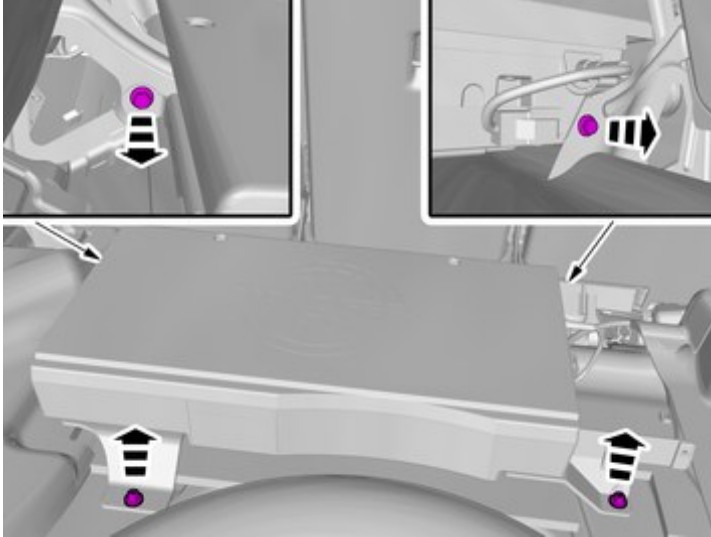
Disconnect the connector.



Installation instructions, accessories

Volvo Car Corporation Gothenburg, Sweden

10

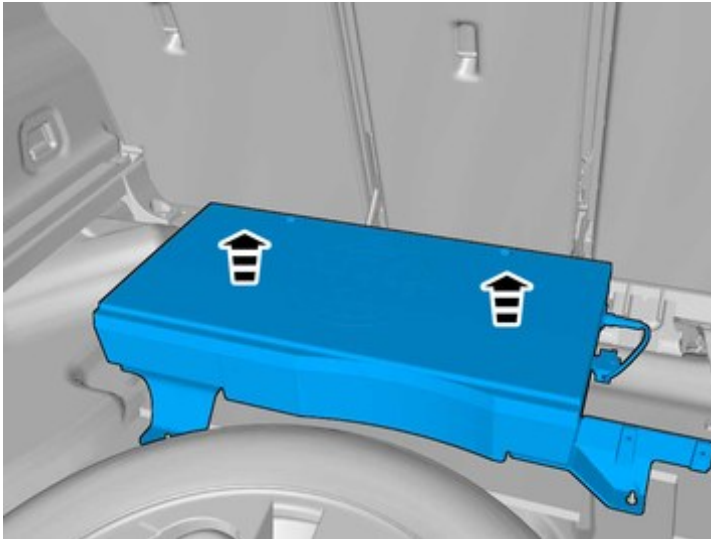


IMG-395147

Remove the nuts.

Remove the screws.

11



IMG-395149

Remove the marked part.

Accessory installation

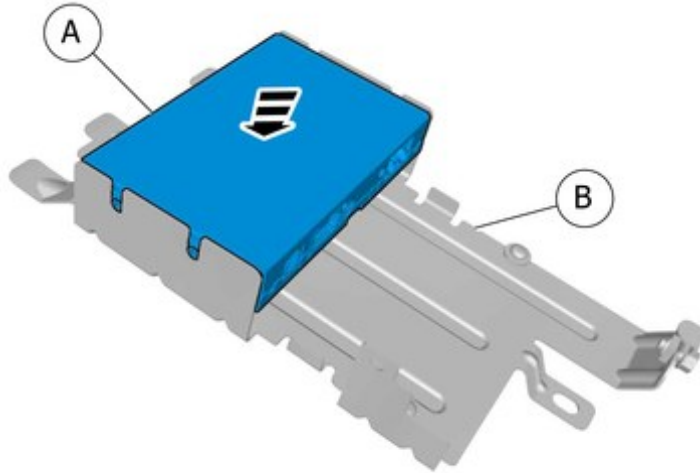


Installation instructions, accessories

Volvo Car Corporation Gothenburg, Sweden

12

Install component that comes with the accessory kit.

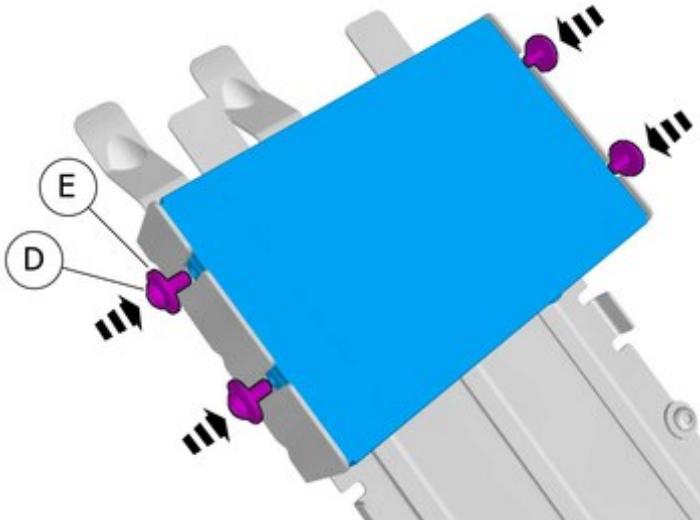


IMG-394788

13

Install component that comes with the accessory kit.

Install the screws.



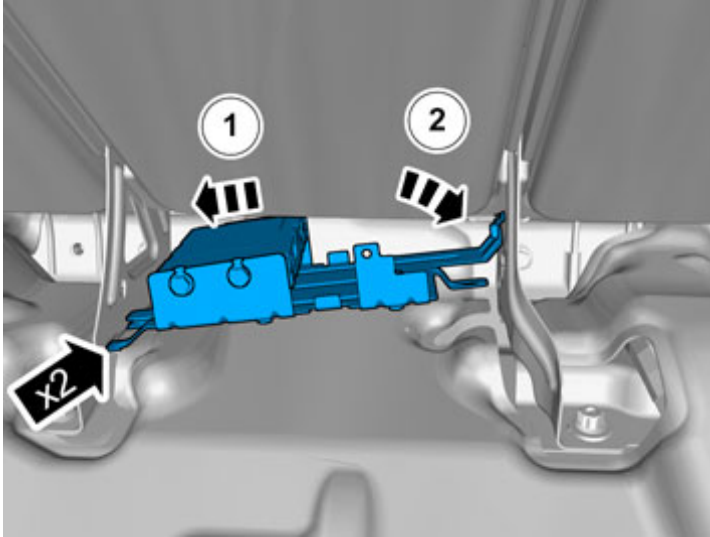
IMG-394790



Installation instructions, accessories

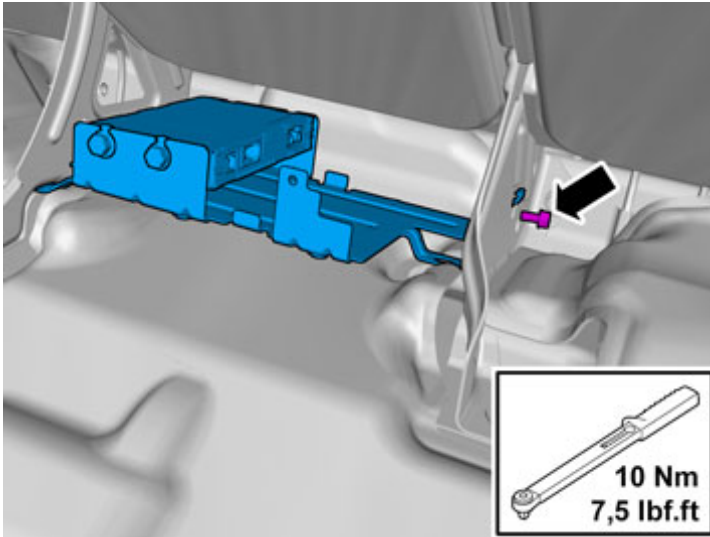
Volvo Car Corporation Gothenburg, Sweden

14



IMG-342320

15



IMG-342321

Tighten the screw.

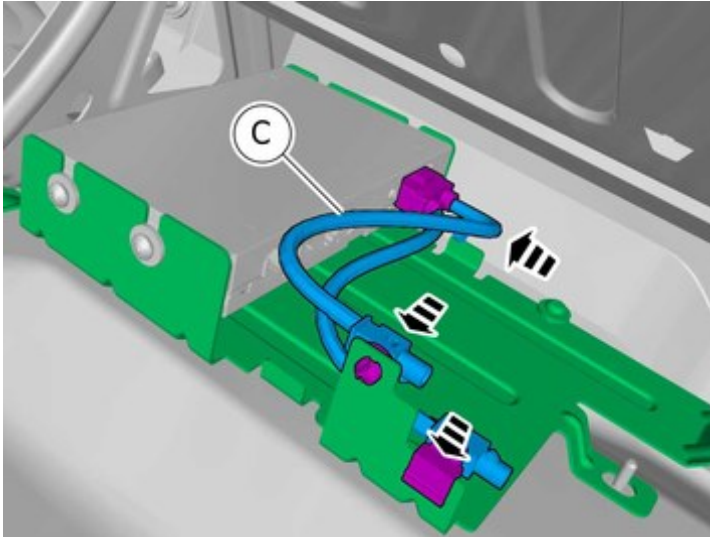
Tightening torque: M6 , 10 Nm



Installation instructions, accessories

Volvo Car Corporation Gothenburg, Sweden

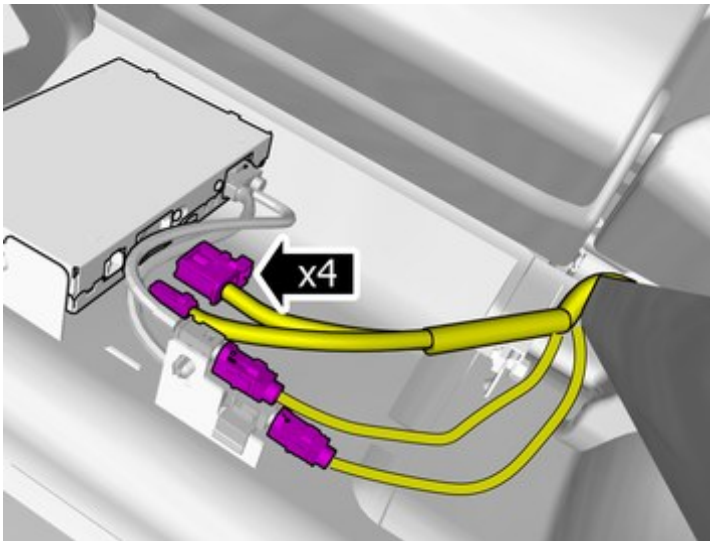
16



IMG-394806

Install component that comes with the accessory kit.
Fasten the wiring harness using the existing clips.

17



IMG-395171

Locate the pre-routed connectors.
Connect the connectors.

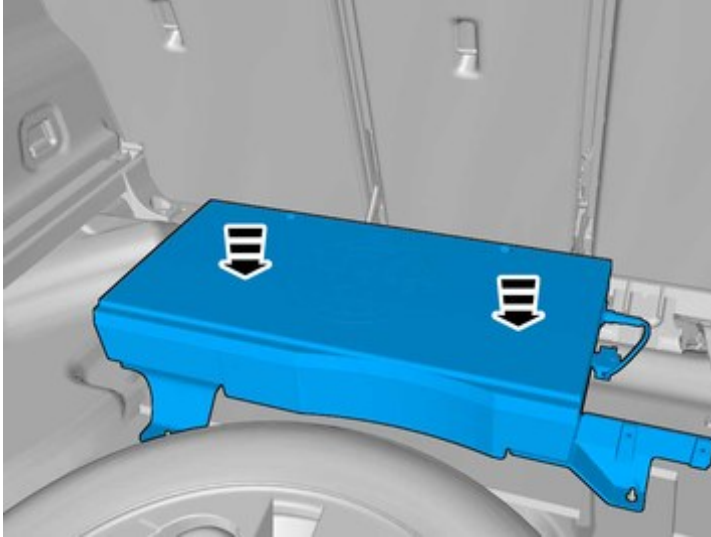
Vehicles with subwoofer speaker



Installation instructions, accessories

Volvo Car Corporation Gothenburg, Sweden

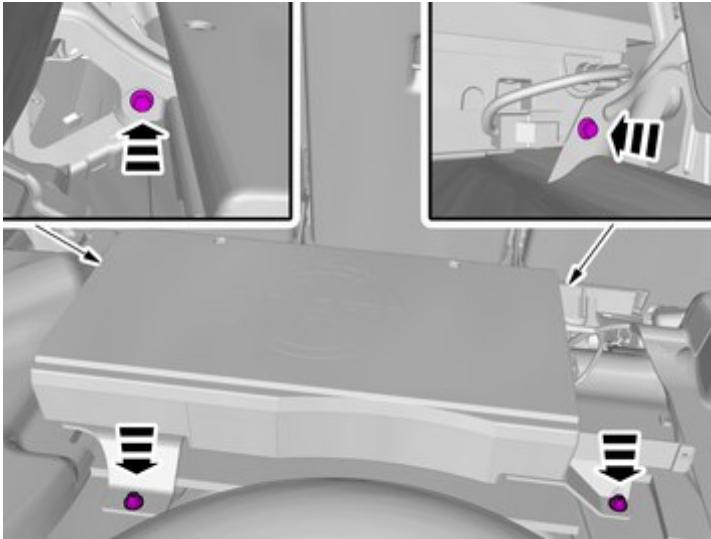
18



IMG-395152

Reinstall the removed parts in reverse order.

19



IMG-395153

Reinstall the screws.

Tightening torque: M6 , 10 Nm

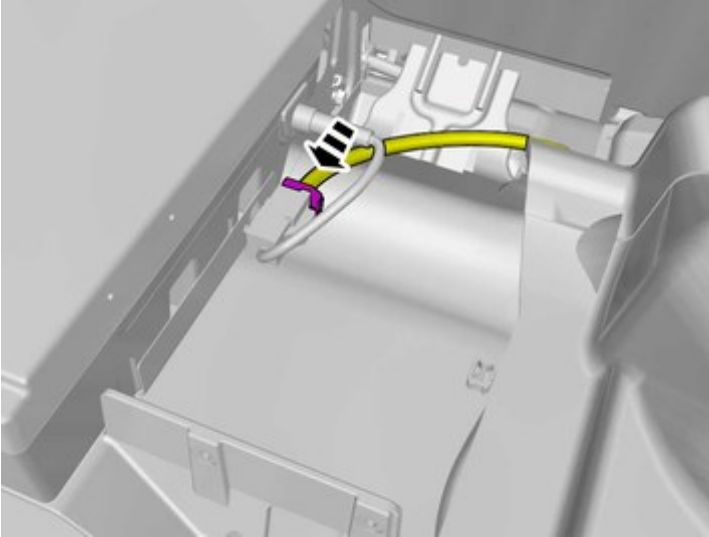
Install the nuts



Installation instructions, accessories

Volvo Car Corporation Gothenburg, Sweden

20



IMG-395154

Connect the connector.

All vehicles

21



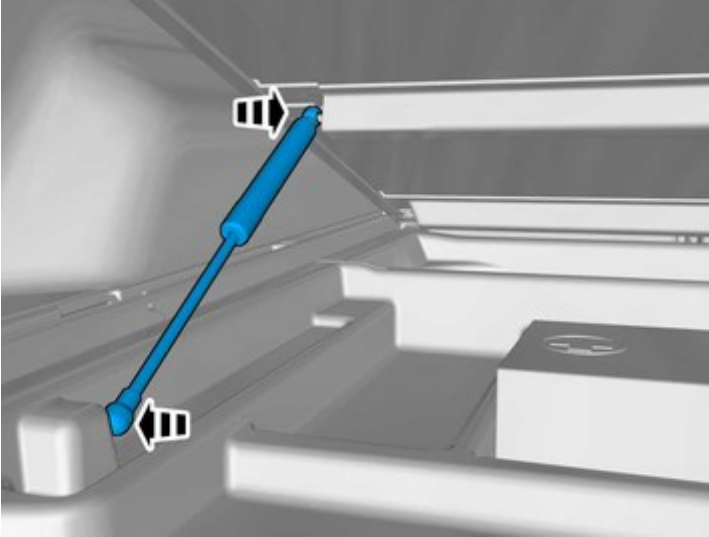
IMG-395755



Installation instructions, accessories

Volvo Car Corporation Gothenburg, Sweden

22



IMG-395756

23



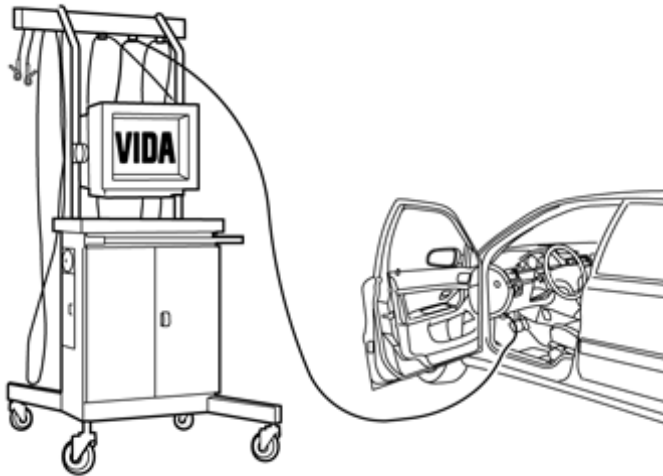
IMG-395760



Installation instructions, accessories

Volvo Car Corporation Gothenburg, Sweden

24



IMG-242268

Note!

First, download the software for preparatory installation according to the accessory catalogue. Then do the download/reload of software for the accessory function.

Note!

When doing an aftermarket installation of DAB or DAB+, it is necessary to carry out a DAB application download.

Note!

When upgrading from DAB to DAB+, a DAB re-load is necessary.

Carry out a download, or a re-load, of accessory function software by following VIDA service information.