

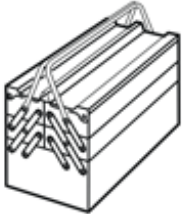
# Installation instructions, accessories

Volvo Car Corporation Gothenburg, Sweden

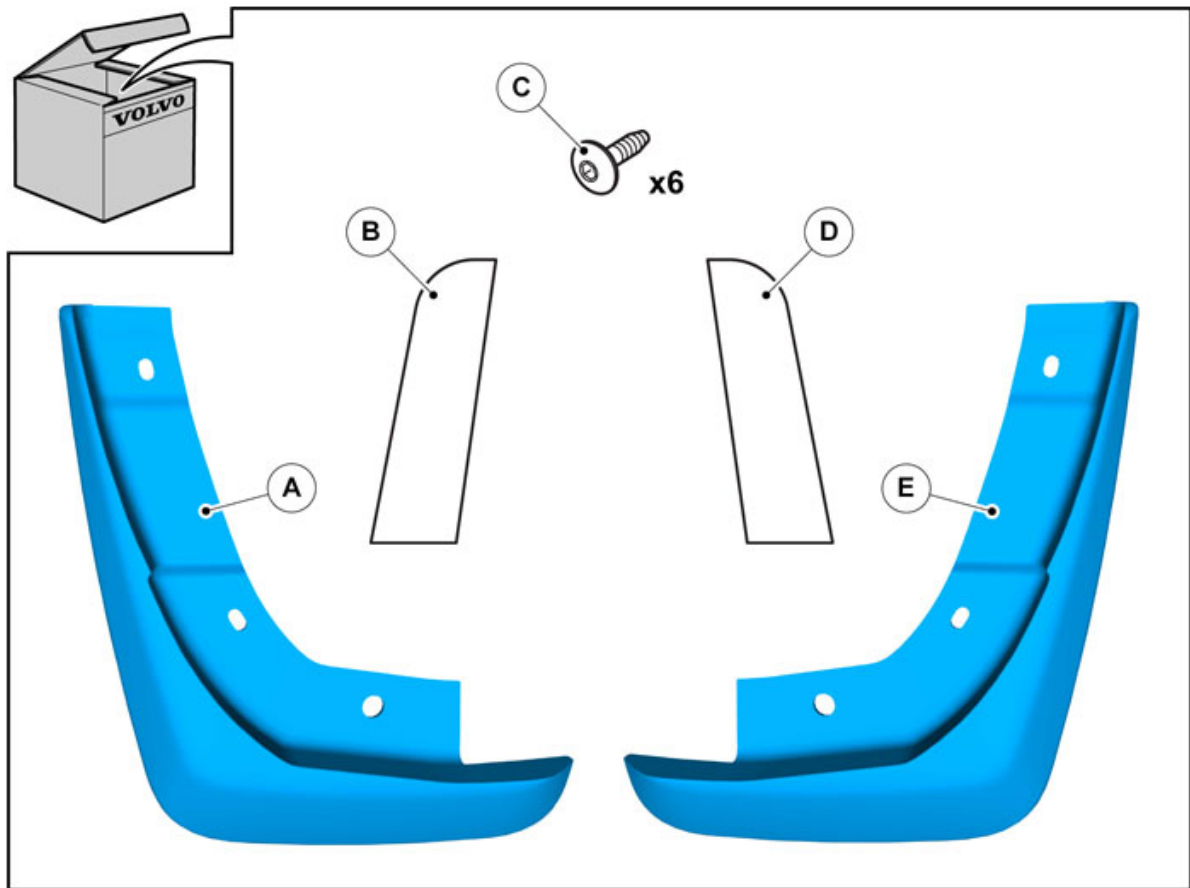
**Instruction No** 31265335  
**Version** 1.3  
**Part. No.** 31265329

## Mudflaps

### Equipment



A0000162



IMG-340354

# Installation instructions, accessories

Volvo Car Corporation Gothenburg, Sweden

## INTRODUCTION

Read through all of the instructions before starting installation.

Notifications and warning texts are for your safety and to minimise the risk of something breaking during installation.

Ensure that all tools stated in the instructions are available before starting installation.

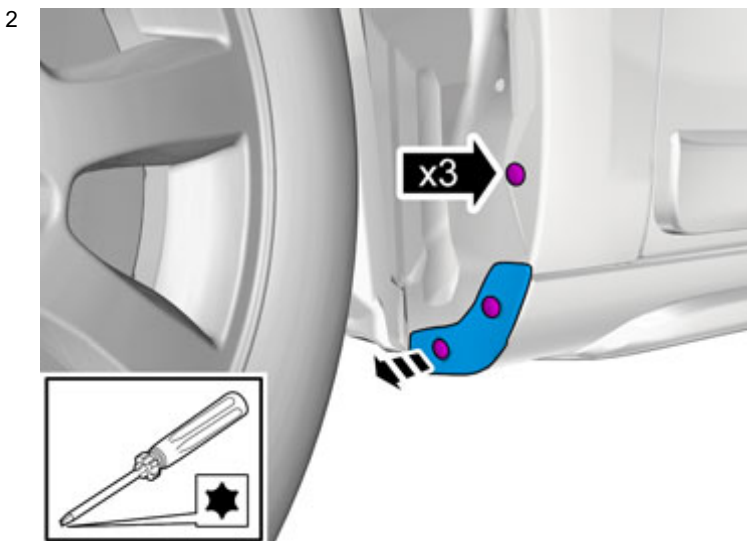
Certain steps in the instructions are only presented in the form of images. Explanatory text is also given for more complicated steps.

In the event of any problems with the instructions or the accessory, contact your local Volvo dealer.



Turn the wheel.

IMG-340356



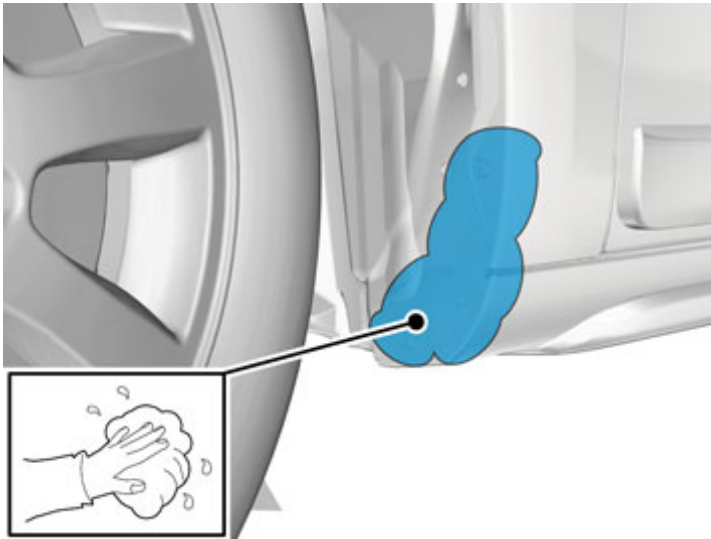
Remove the screws and flap. These will not be reused.

IMG-340357

# Installation instructions, accessories

Volvo Car Corporation Gothenburg, Sweden

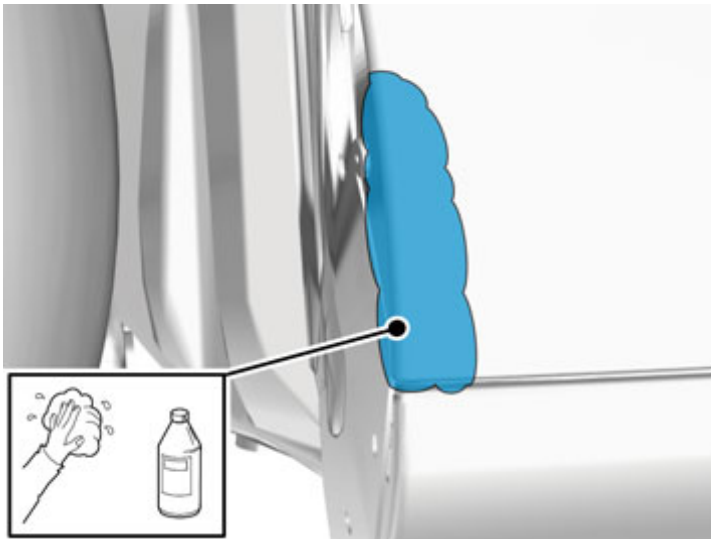
3



IMG-340358

Clean the area where the mudflap is to be positioned.

4



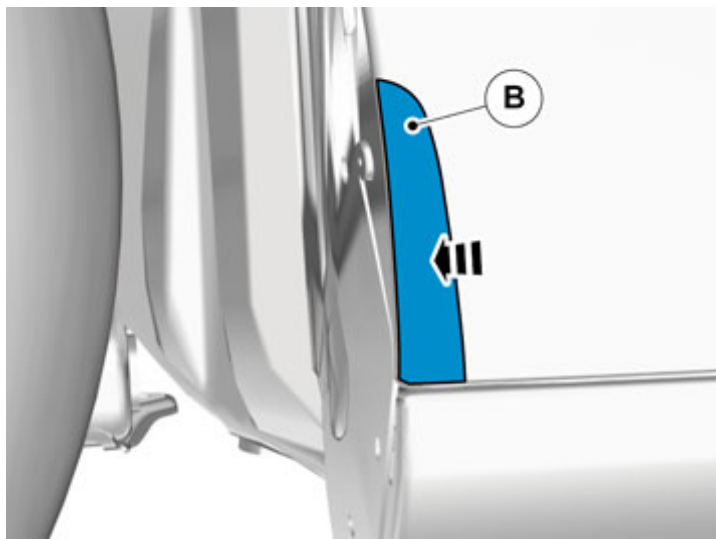
IMG-340360

Clean the area where the protective tape is to be attached. Use: Isopropanol.

# Installation instructions, accessories

Volvo Car Corporation Gothenburg, Sweden

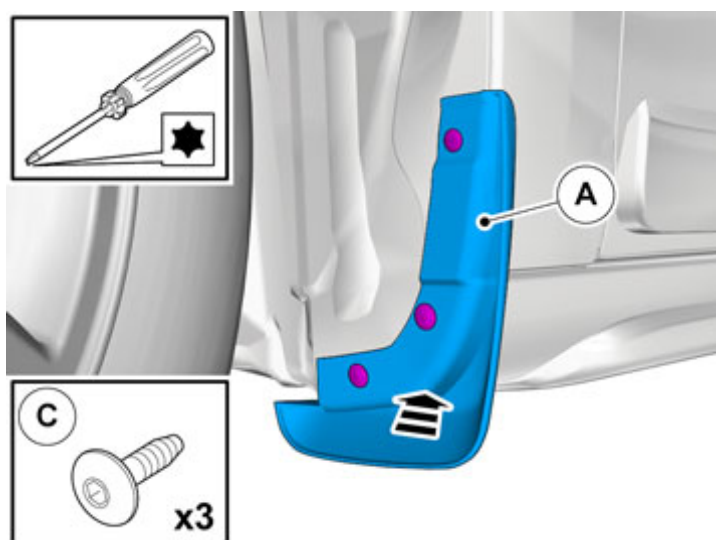
5



IMG-340361

Attach the protective tape.

6



IMG-340362

Install and screw the mudflap into place. Repeat the procedure on the other side.