

Installation instructions, accessories

Volvo Car Corporation Gothenburg, Sweden

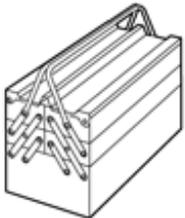
Instruction No	Version	Part. No.
31330497	1.0	39818277, 39818279, 39818280, 39818281, 39818285, 39818286, 39818287, 39818288, 39818292, 39818293, 39818294, 39818295, 31330496, 39818296, 39822049

Side scuff plate

Materials

Designation	Part number
soap solution	

Equipment



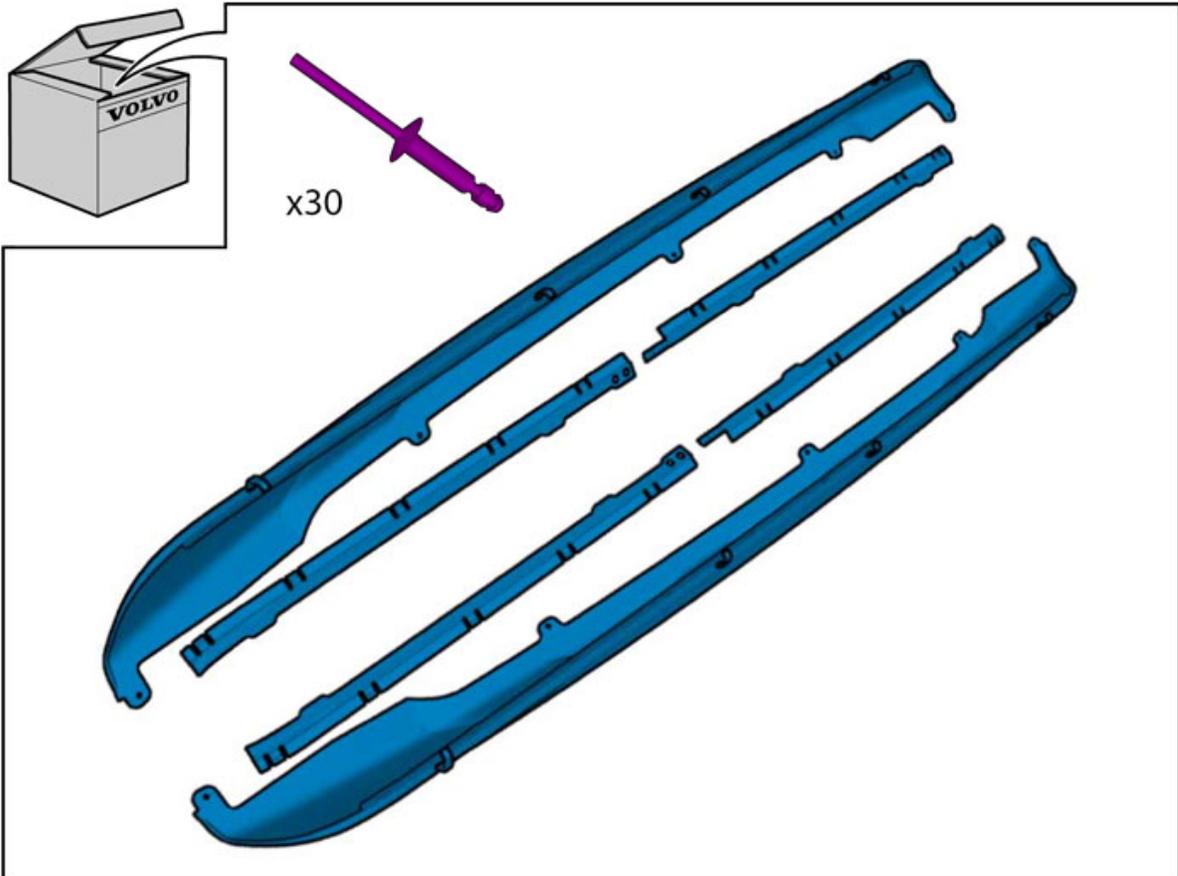
IMG-345497



IMG-239940



IMG-239660



IMG-355877

Installation instructions, accessories

Volvo Car Corporation Gothenburg, Sweden

Information

1

Read through all of the instructions before starting installation.

Notifications and warning texts are for your safety and to minimise the risk of something breaking during installation.

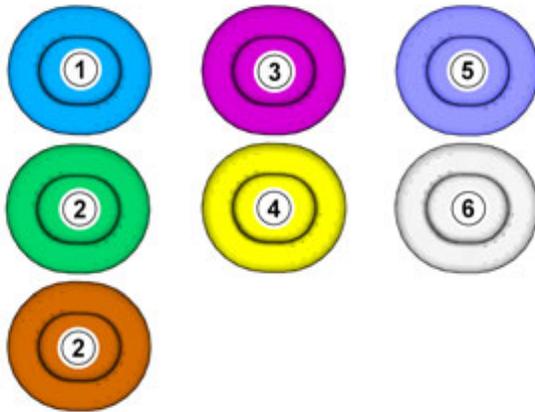
Ensure that all tools stated in the instructions are available before starting installation.

Certain steps in the instructions are only presented in the form of images. Explanatory text is also given for more complicated steps.

In the event of any problems with the instructions or the accessory, contact your local Volvo dealer.

Color symbols

2



IMG-363036

Note!

This colour chart displays (in colour print and electronic version) the importance of the different colours used in the images of the method steps.

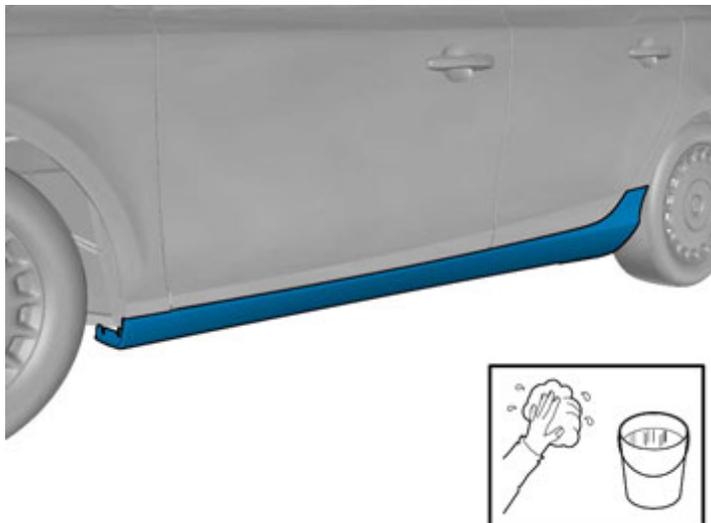
1. Used for focused component, the component with which you will do something.
 2. Used as extra colors when you need to show or differentiate additional parts.
 3. Used for attachments that are to be removed/installed. May be screws, clips, connectors, etc.
 4. Used when the component is not fully removed from the vehicle but only hung to the side.
 5. Used for standard tools and special tools.
 6. Used as background color for vehicle components.
-

Accessory installation

Installation instructions, accessories

Volvo Car Corporation Gothenburg, Sweden

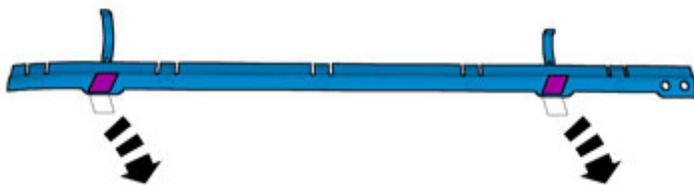
3



IMG-355878

4

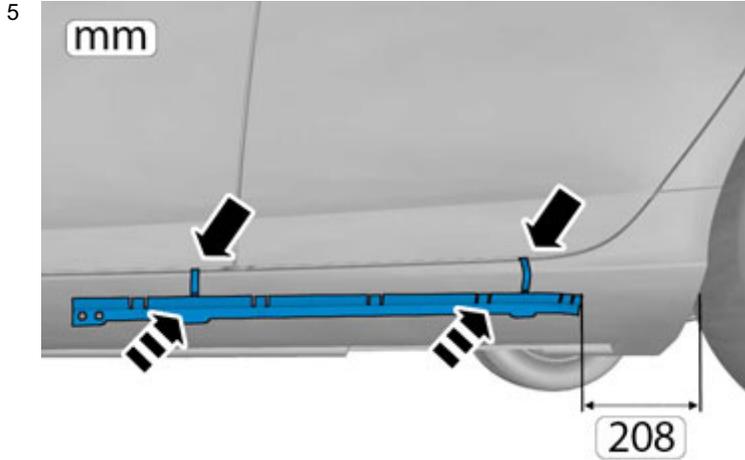
Remove the protective film.



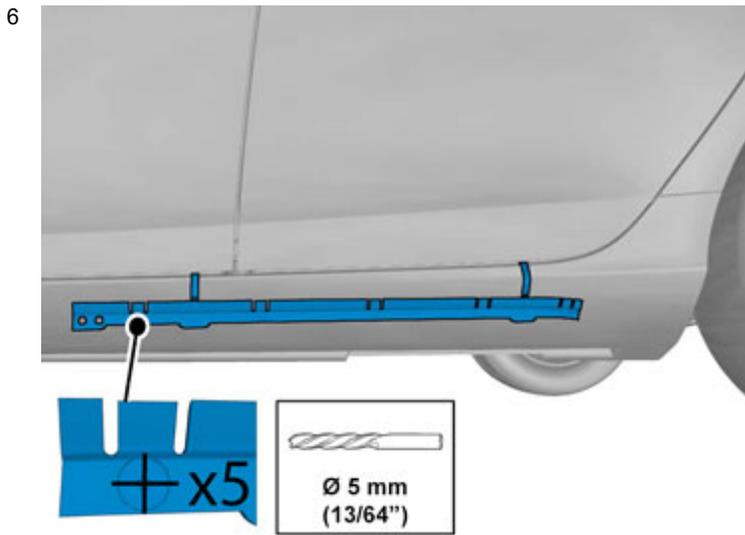
IMG-355880

Installation instructions, accessories

Volvo Car Corporation Gothenburg, Sweden



IMG-355881

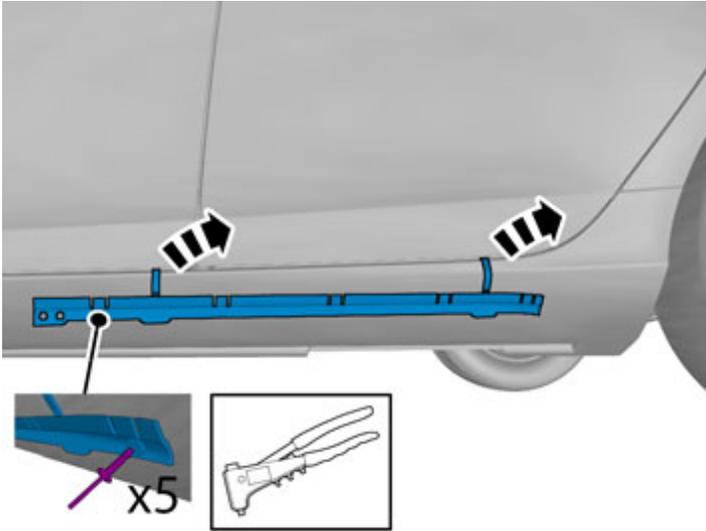


IMG-355883

Installation instructions, accessories

Volvo Car Corporation Gothenburg, Sweden

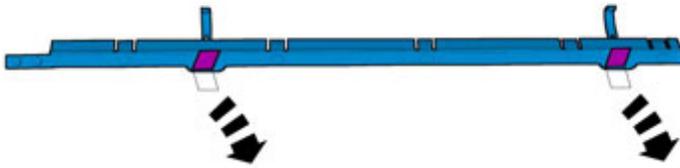
7



IMG-355884

8

Remove the protective film.

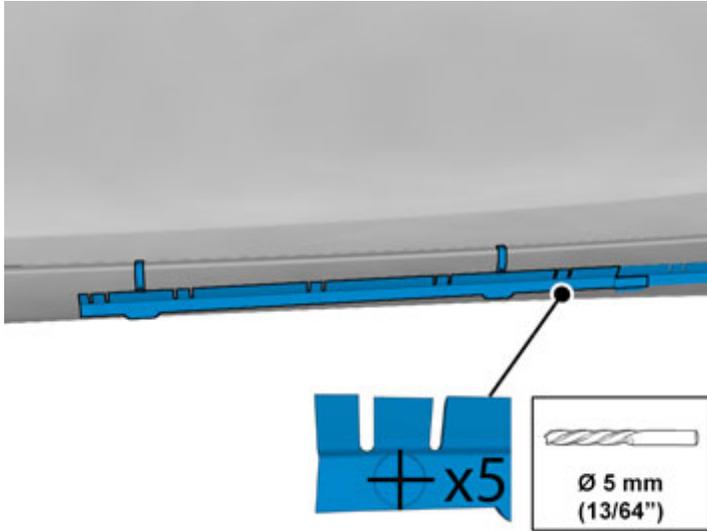


IMG-355879

Installation instructions, accessories

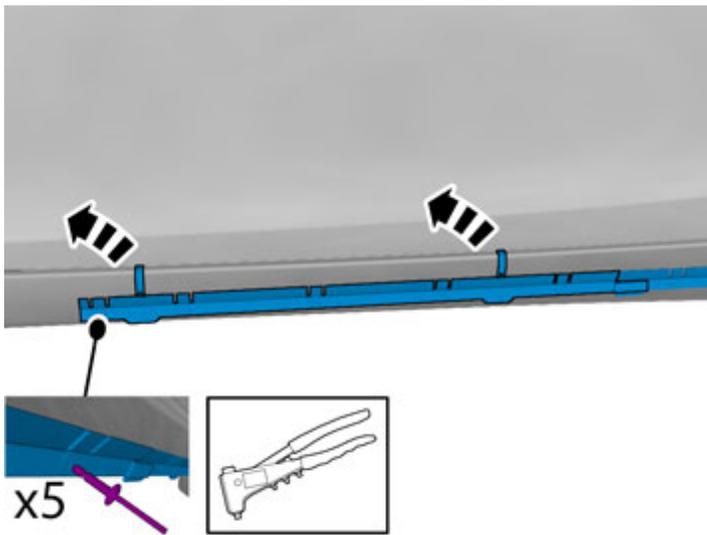
Volvo Car Corporation Gothenburg, Sweden

9



IMG-355886

10

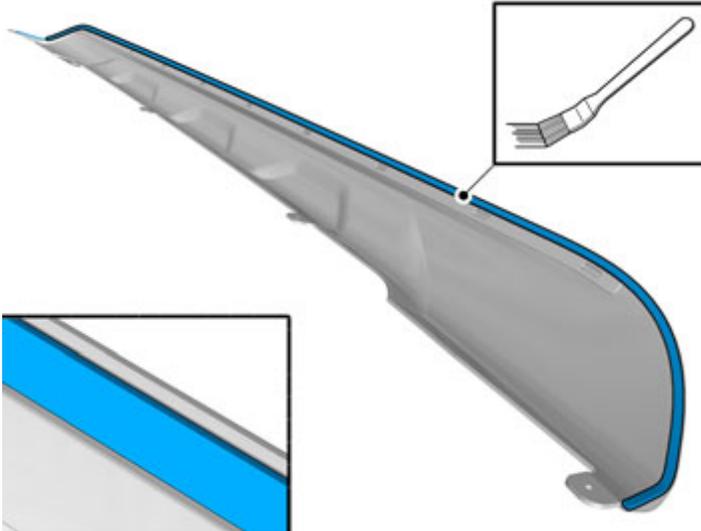


IMG-355887

Installation instructions, accessories

Volvo Car Corporation Gothenburg, Sweden

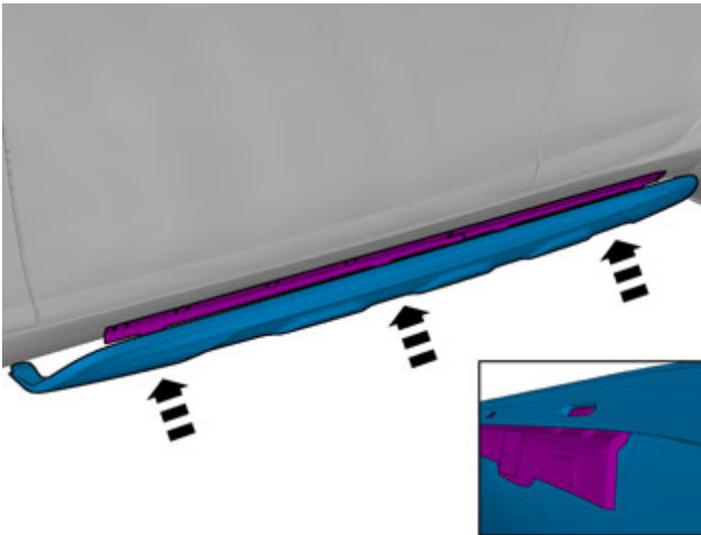
11



Use: , soap solution

IMG-371640

12

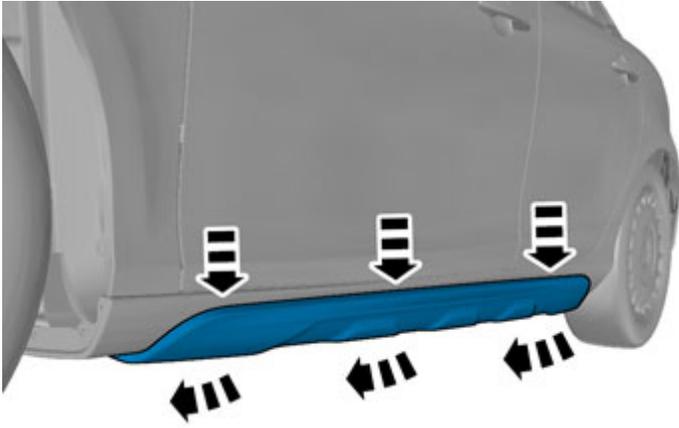


IMG-355888

Installation instructions, accessories

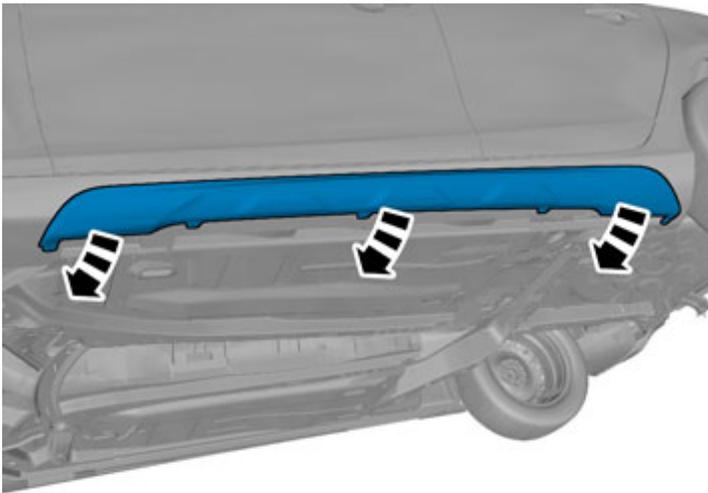
Volvo Car Corporation Gothenburg, Sweden

13



IMG-355889

14

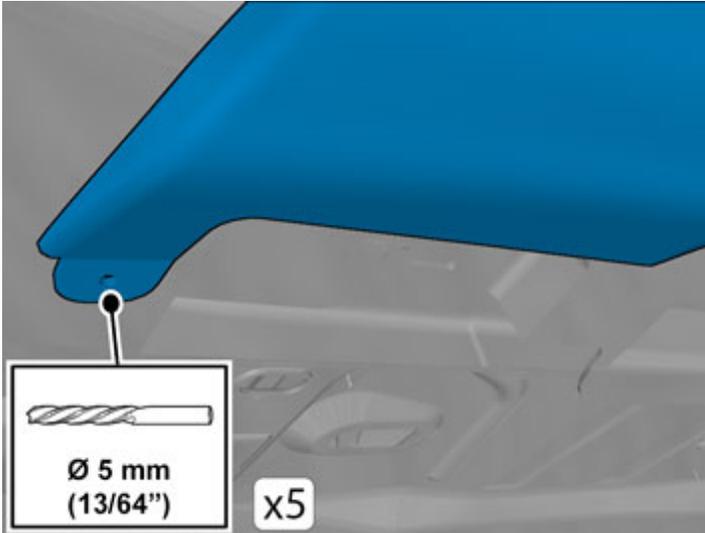


IMG-355890

Installation instructions, accessories

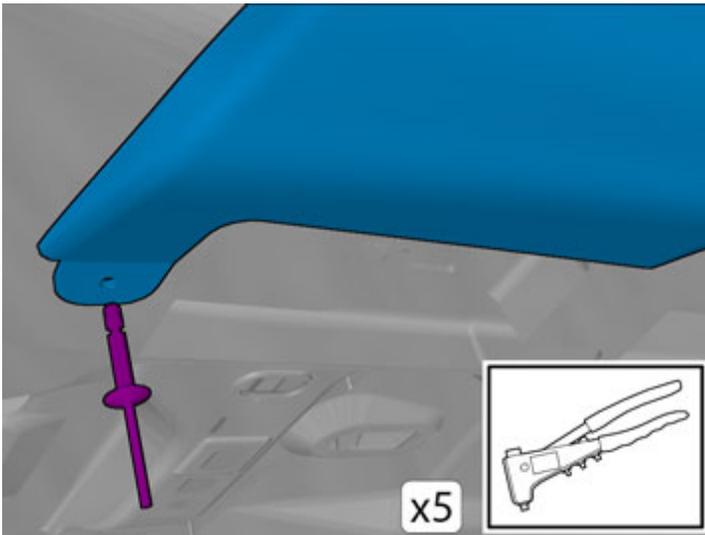
Volvo Car Corporation Gothenburg, Sweden

15



IMG-355891

16



IMG-355892

Repeat all method steps for the other side.