



Installation instructions, accessories

Volvo Car Corporation Gothenburg, Sweden

Instruction No
30756550

Version
1.4

Part. No.
31408842, 30756551

Towbar, fixed



IMG-355027



Installation instructions, accessories

Volvo Car Corporation Gothenburg, Sweden

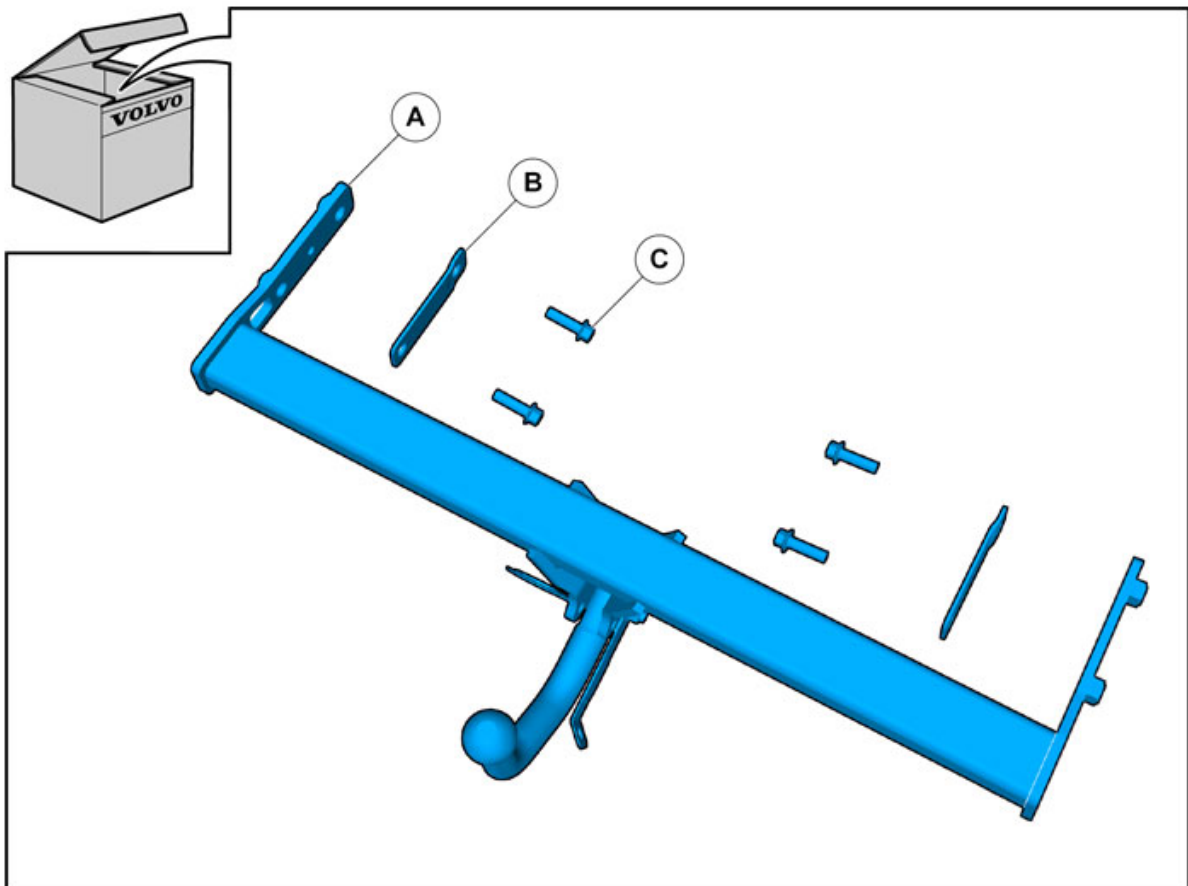
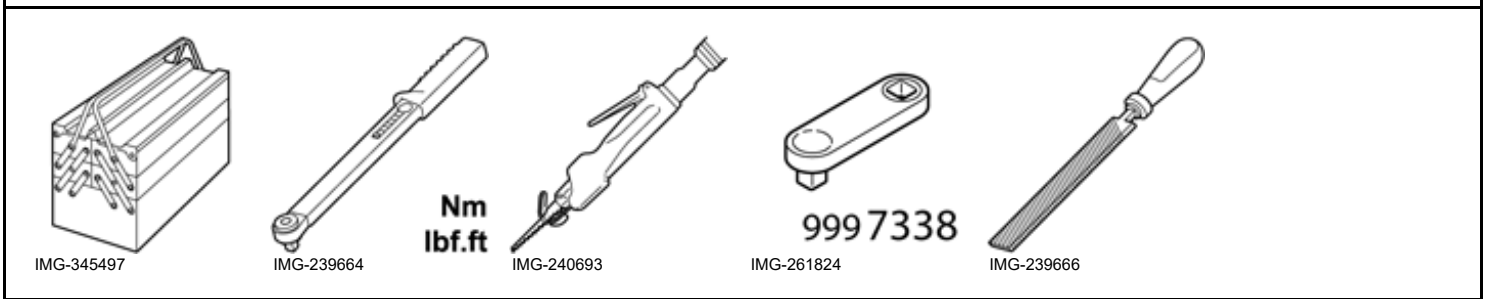
Special tools

	999 7338 Extension rod Tool number:999 7338 Tool description:Extension rod Tool boards:80
--	--

Materials

Designation	Part number
Rust inhibitor, low viscosity	
Rust inhibitor	

Equipment



IMG-355047



Installation instructions, accessories

Volvo Car Corporation Gothenburg, Sweden



Installation instructions, accessories

Volvo Car Corporation Gothenburg, Sweden

Information

1

Read through all of the instructions before starting installation.

Notifications and warning texts are for your safety and to minimise the risk of something breaking during installation.

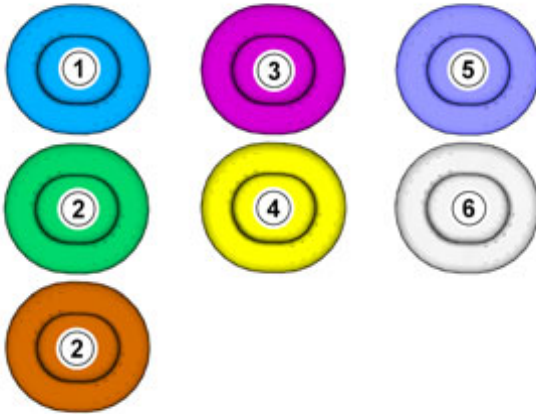
Ensure that all tools stated in the instructions are available before starting installation.

Certain steps in the instructions are only presented in the form of images. Explanatory text is also given for more complicated steps.

In the event of any problems with the instructions or the accessory, contact your local Volvo dealer.

Color symbols

2



Note!

This colour chart displays (in colour print and electronic version) the importance of the different colours used in the images of the method steps.

1. Used for focused component, the component with which you will do something.
2. Used as extra colors when you need to show or differentiate additional parts.
3. Used for attachments that are to be removed/installed. May be screws, clips, connectors, etc.
4. Used when the component is not fully removed from the vehicle but only hung to the side.
5. Used for standard tools and special tools.
6. Used as background color for vehicle components.

IMG-363036

Removal



Installation instructions, accessories

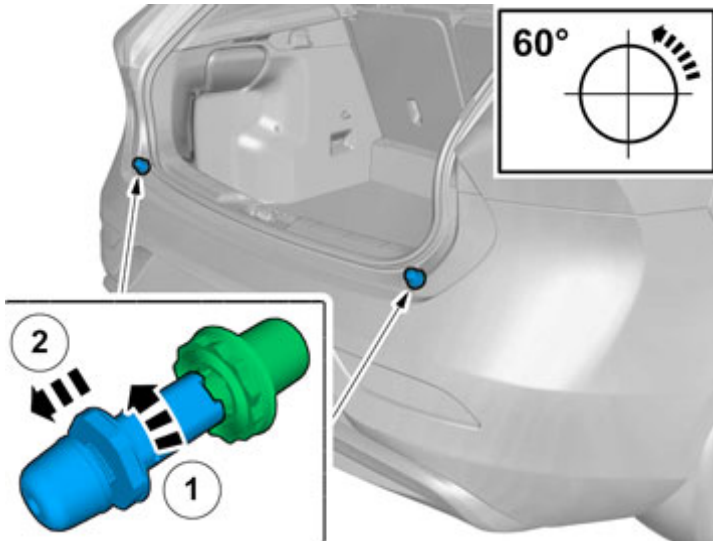
Volvo Car Corporation Gothenburg, Sweden

3



IMG-354413

4



Note position of components.

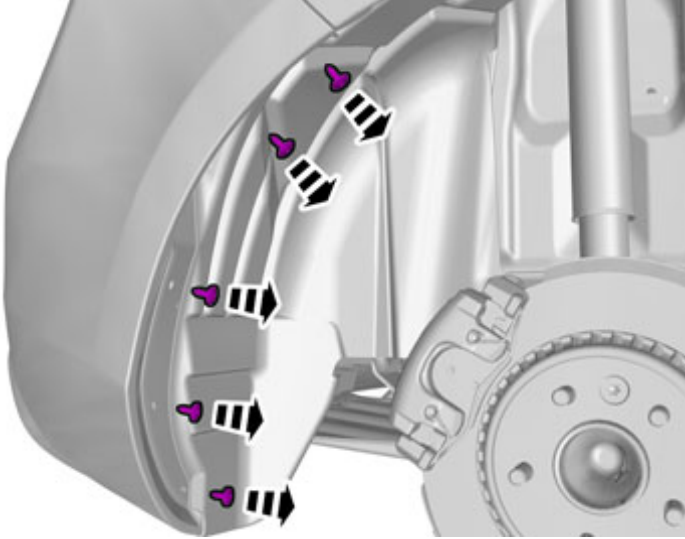
IMG-355063



Installation instructions, accessories

Volvo Car Corporation Gothenburg, Sweden

5

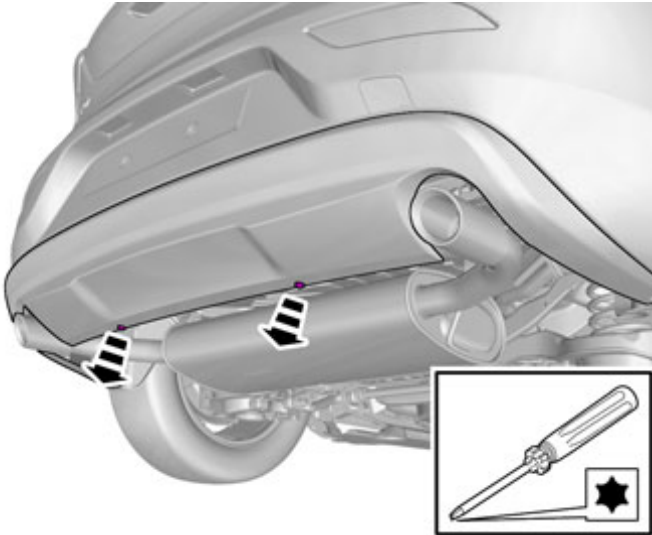


IMG-355068

Remove the screws.

Repeat on the other side.

6



IMG-374150

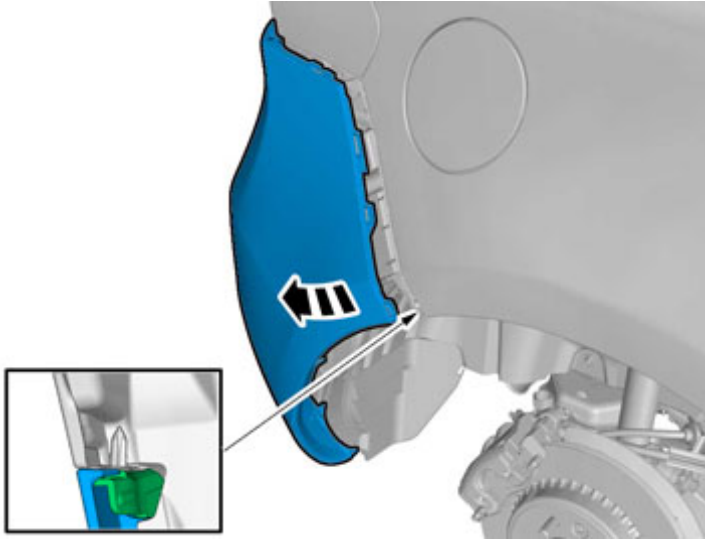
Remove the screws.



Installation instructions, accessories

Volvo Car Corporation Gothenburg, Sweden

7

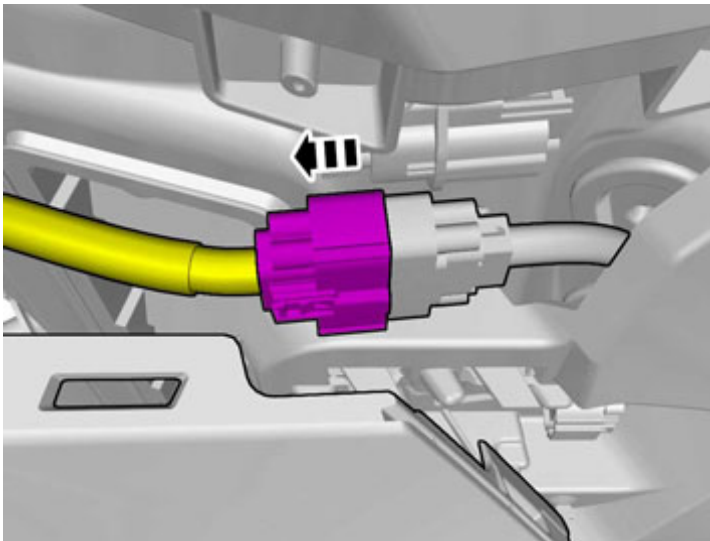


IMG-355092

Note!
Note the position.

Repeat on the other side.

8



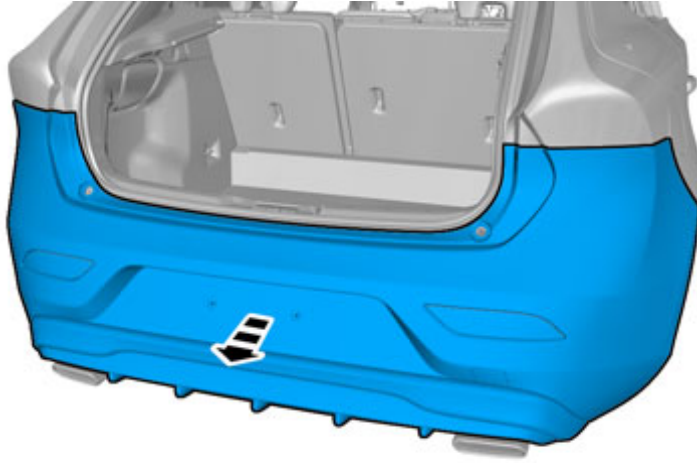
IMG-355184



Installation instructions, accessories

Volvo Car Corporation Gothenburg, Sweden

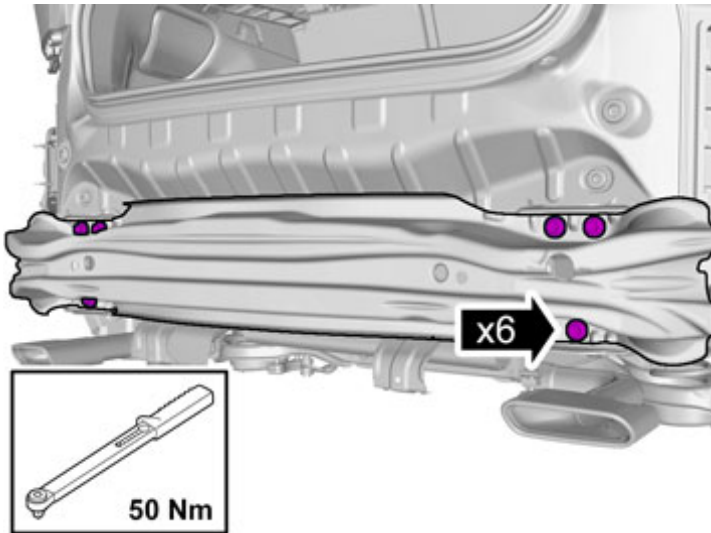
9



Request the aid of a colleague for this procedure.

IMG-355166

10



Note!

The screws are to be reused.

Remove the screws.

Tightening torque: M10 , 50 Nm

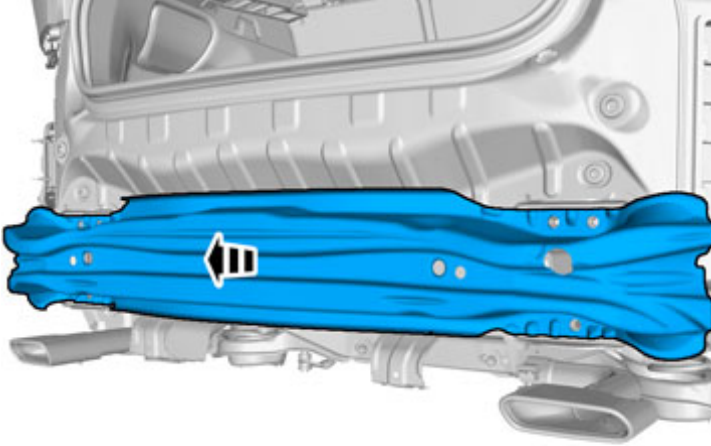
IMG-355191



Installation instructions, accessories

Volvo Car Corporation Gothenburg, Sweden

11

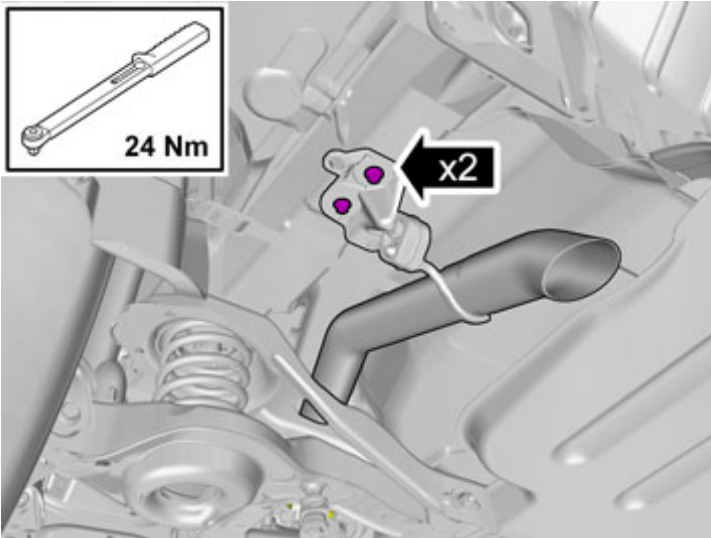


Caution!
The part is to be reused.

IMG-365913

Applies to vehicles with single end pipe

12



Remove the screws.

Tightening torque: M8 , 24 Nm

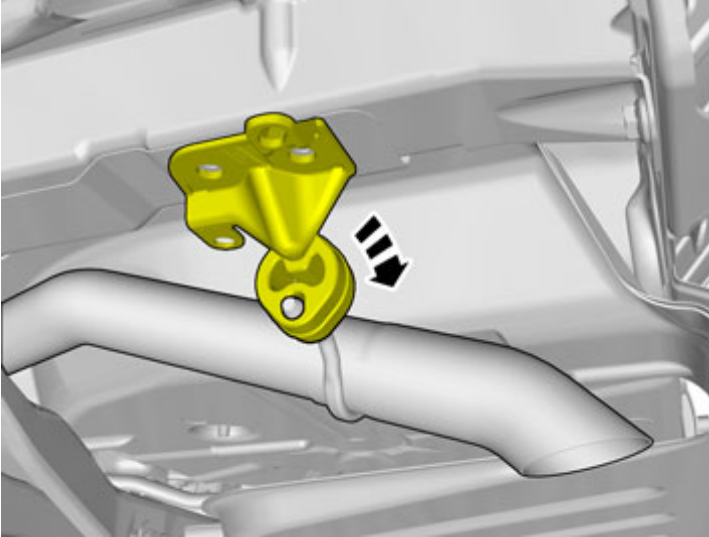
IMG-365832



Installation instructions, accessories

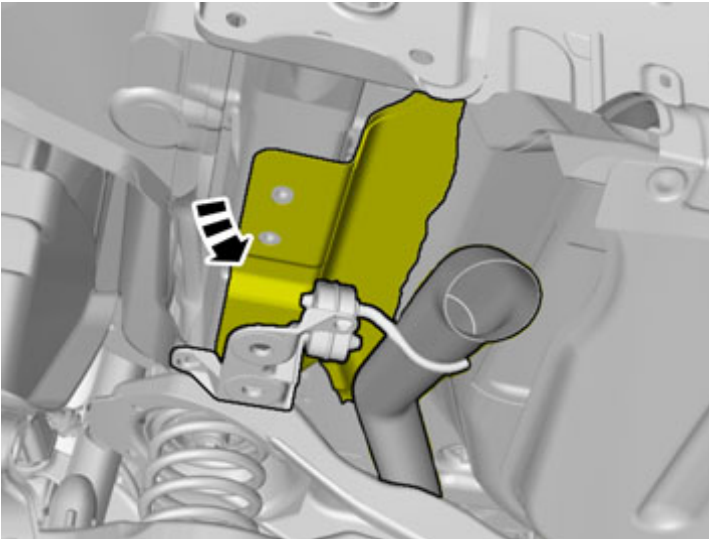
Volvo Car Corporation Gothenburg, Sweden

13



IMG-365833

14



IMG-365834

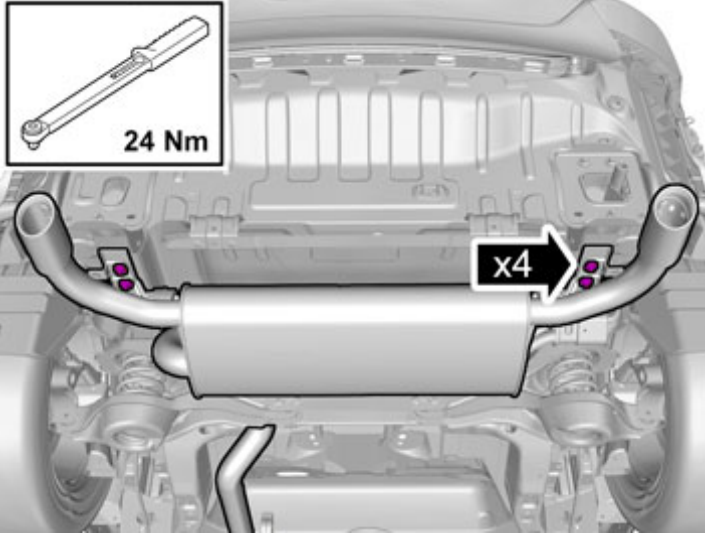
Applies to vehicles with double end pipe



Installation instructions, accessories

Volvo Car Corporation Gothenburg, Sweden

15

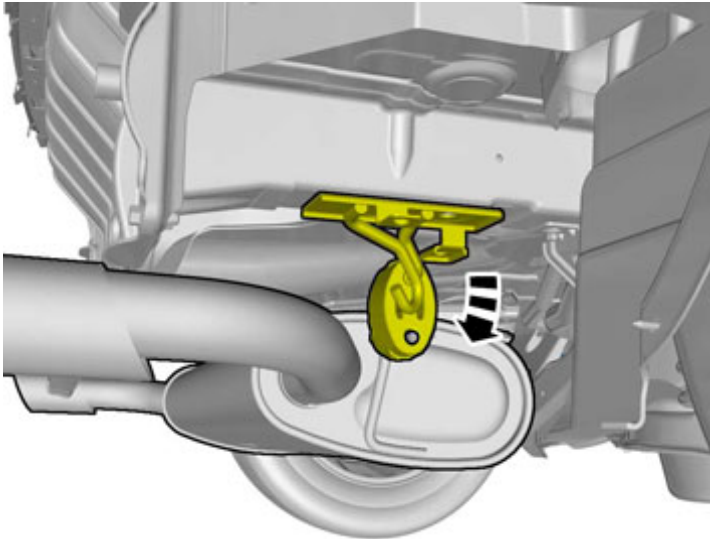


IMG-355199

Remove the screws.

Tightening torque: M8 , 24 Nm

16



IMG-355341

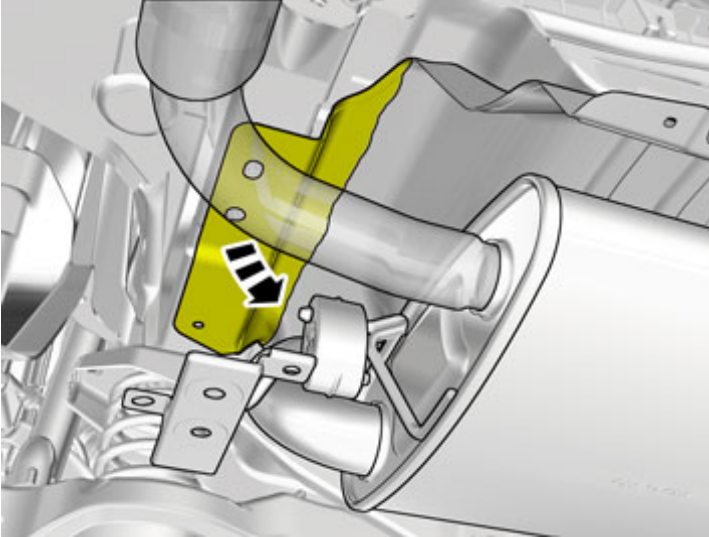
Repeat on the other side.



Installation instructions, accessories

Volvo Car Corporation Gothenburg, Sweden

17

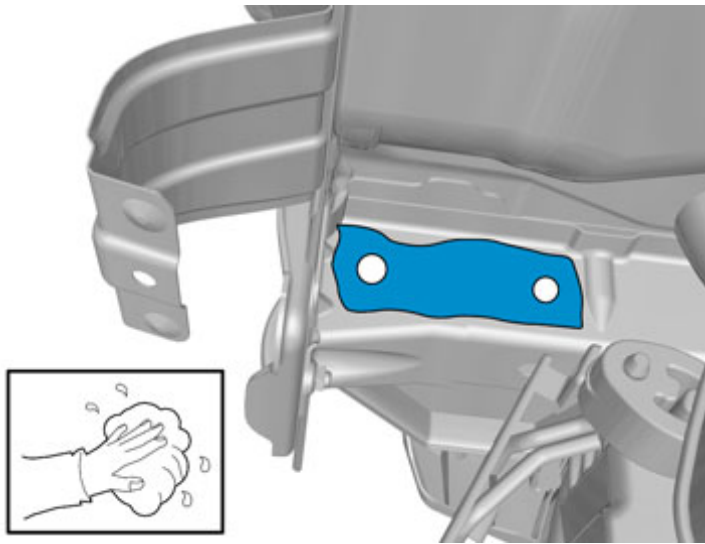


IMG-355472

Repeat on the other side.

All vehicles

18



IMG-355344

Scrape off all sealant from the flat surface.

Clean the surface.

Repeat on the other side.

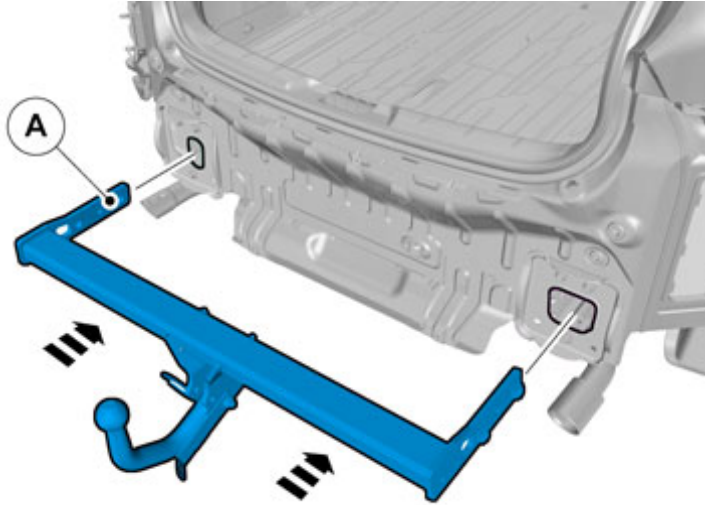
Accessory installation



Installation instructions, accessories

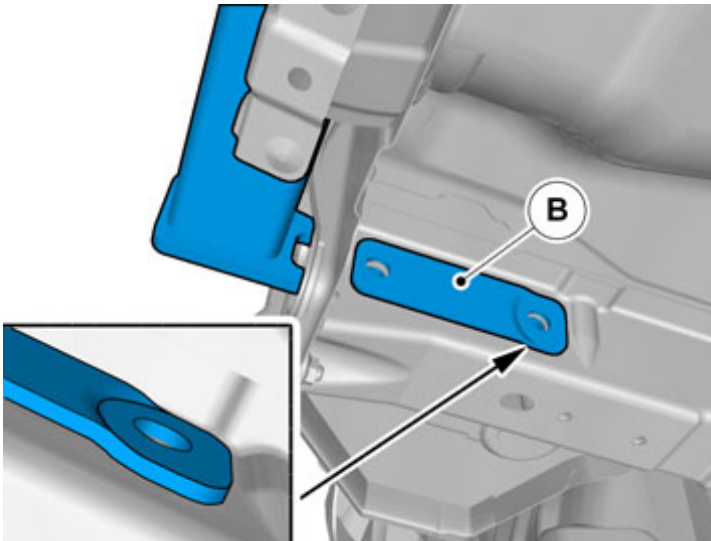
Volvo Car Corporation Gothenburg, Sweden

19



IMG-355325

20



IMG-355355

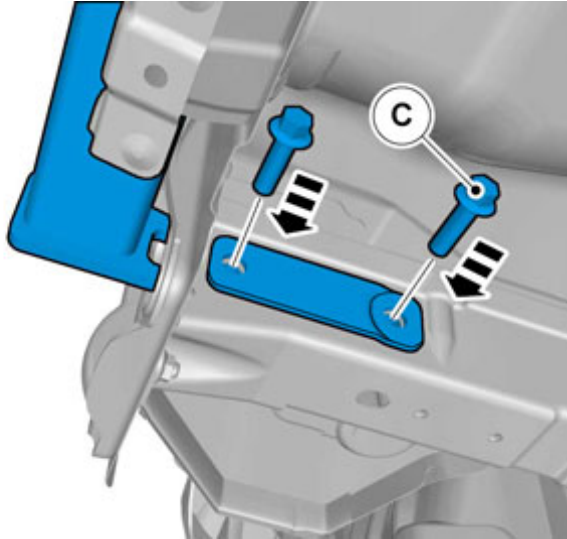
Note!
Note the position.



Installation instructions, accessories

Volvo Car Corporation Gothenburg, Sweden

21

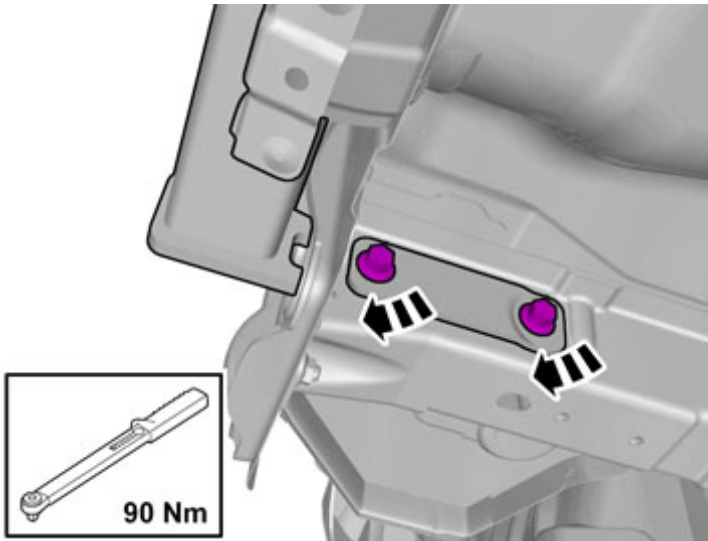


Install the screws.

Repeat on the other side.

IMG-355356

22



Repeat on the other side.

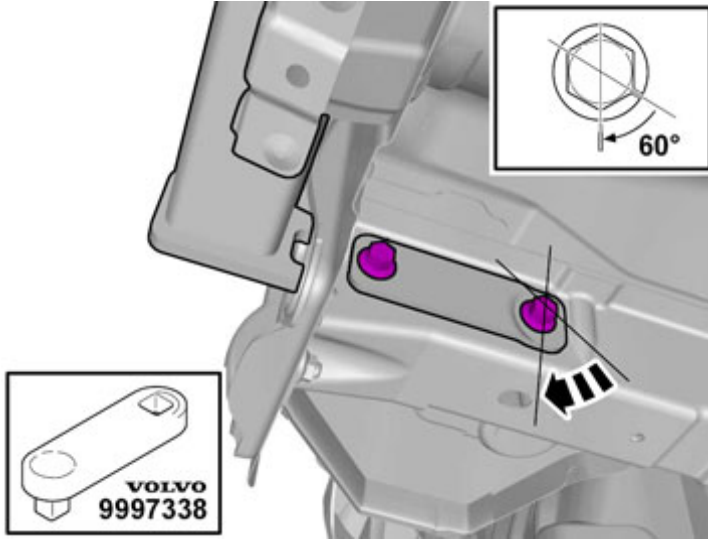
IMG-365812



Installation instructions, accessories

Volvo Car Corporation Gothenburg, Sweden

23



IMG-355359

Repeat on the other side.

Use special tool: T9997338, Extension rod

24

Install tow bar connector and wiring harness according to installation instruction: Towbar, Wiring and Control Unit.

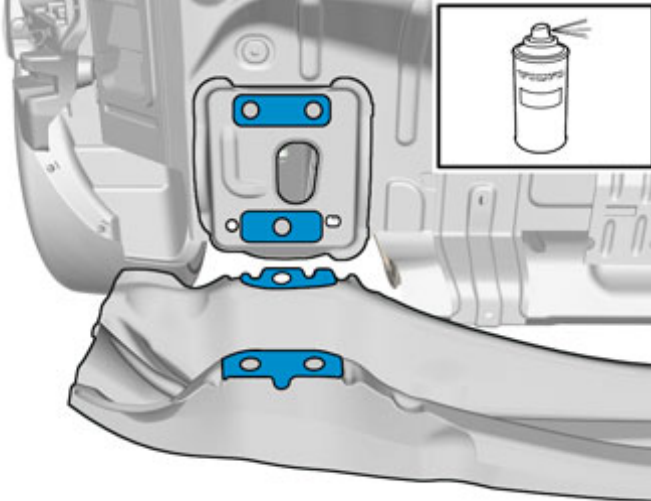
IMG-356971



Installation instructions, accessories

Volvo Car Corporation Gothenburg, Sweden

25

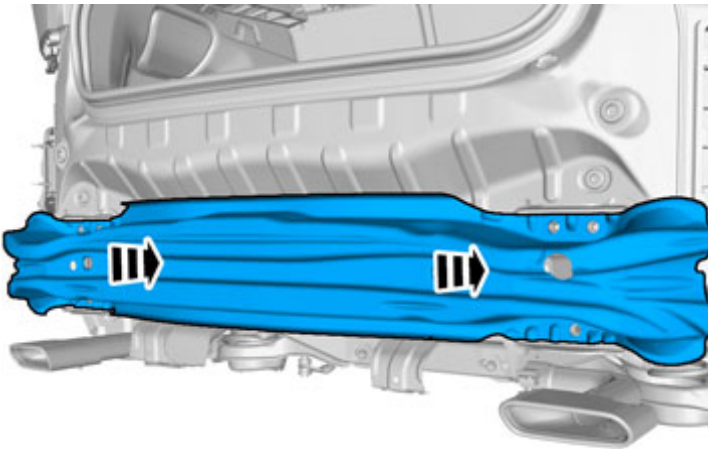


Use: , Rust inhibitor, low viscosity

Repeat on the other side.

IMG-367201

26



Reinstall the removed part.

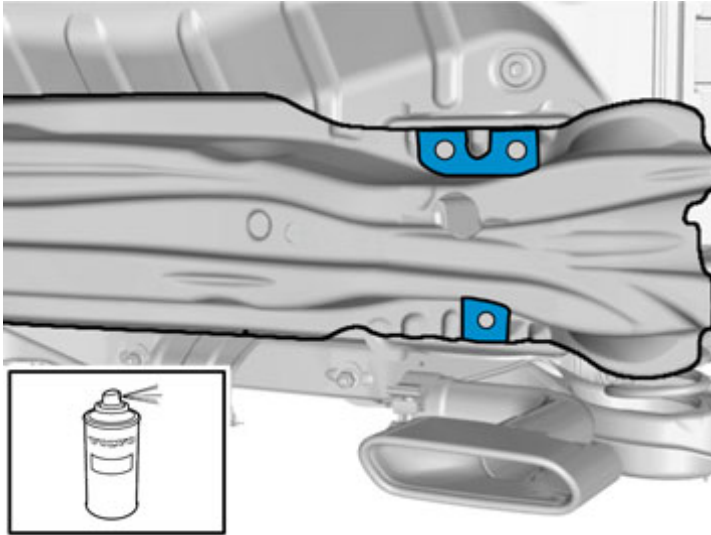
IMG-367202



Installation instructions, accessories

Volvo Car Corporation Gothenburg, Sweden

27

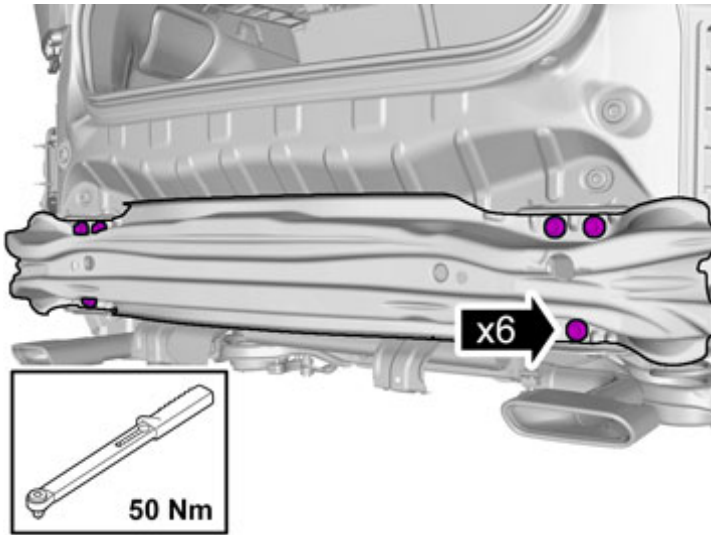


IMG-367329

Use: , Rust inhibitor

Repeat on the other side.

28



IMG-355191

Install the screws.

Tightening torque: M10 , 50 Nm

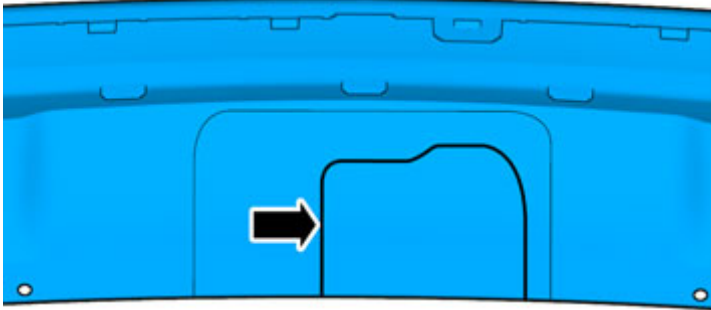


Installation instructions, accessories

Volvo Car Corporation Gothenburg, Sweden

29

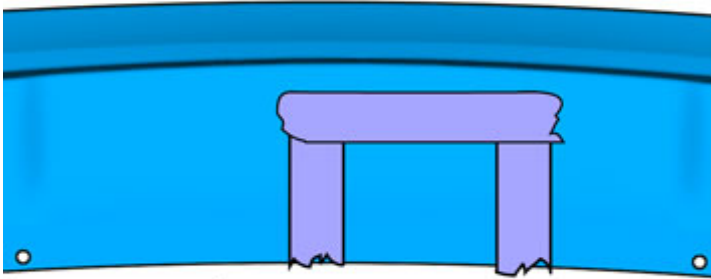
Locate relevant marking.



IMG-365846

30

Apply tape to the other side, opposite the marking lines.



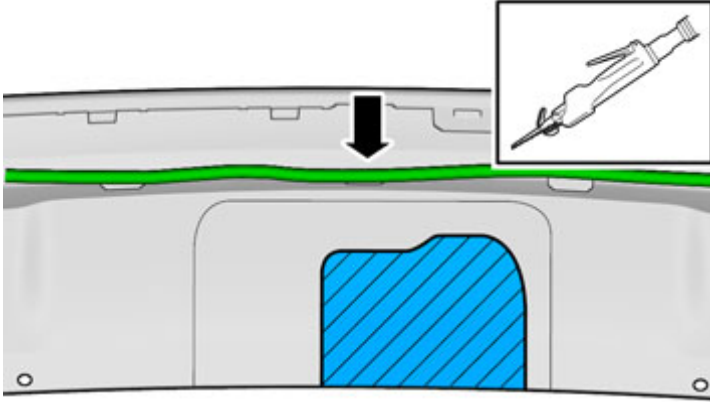
IMG-367022



Installation instructions, accessories

Volvo Car Corporation Gothenburg, Sweden

31

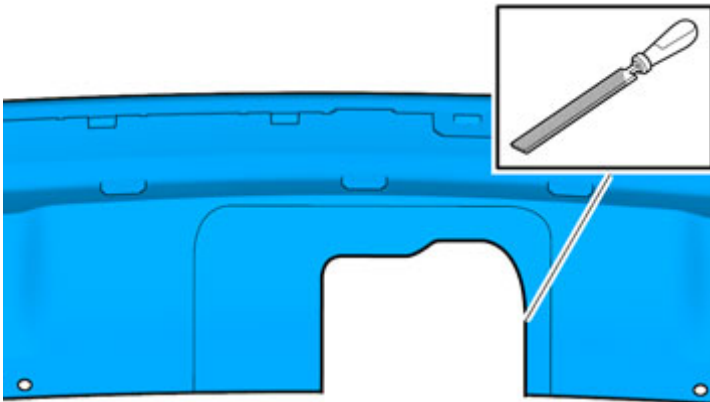


Caution!

Take extra care not to damage the wiring harnesses.

IMG-355362

32



Deburr edges

IMG-367029

Vehicles with Diffuser

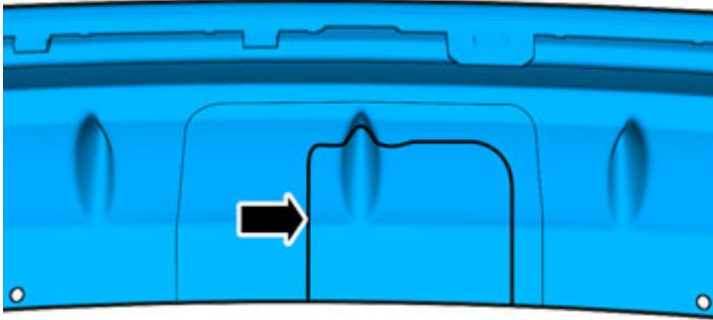


Installation instructions, accessories

Volvo Car Corporation Gothenburg, Sweden

33

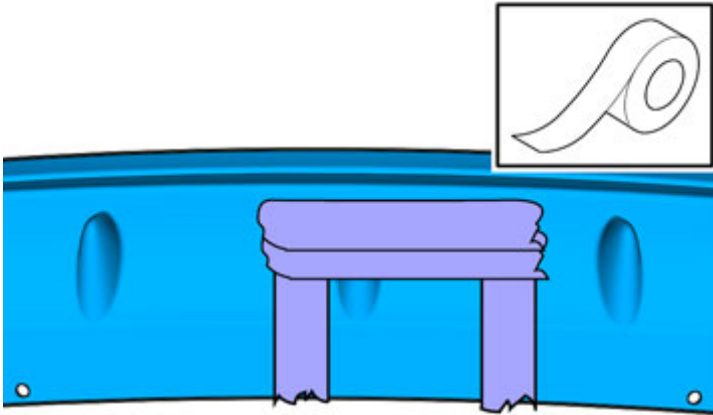
Locate relevant marking.



IMG-367030

34

Apply tape to the other side, opposite the marking lines.



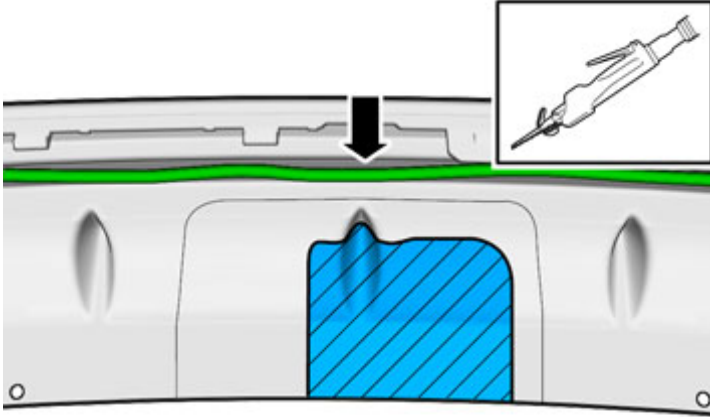
IMG-367031



Installation instructions, accessories

Volvo Car Corporation Gothenburg, Sweden

35

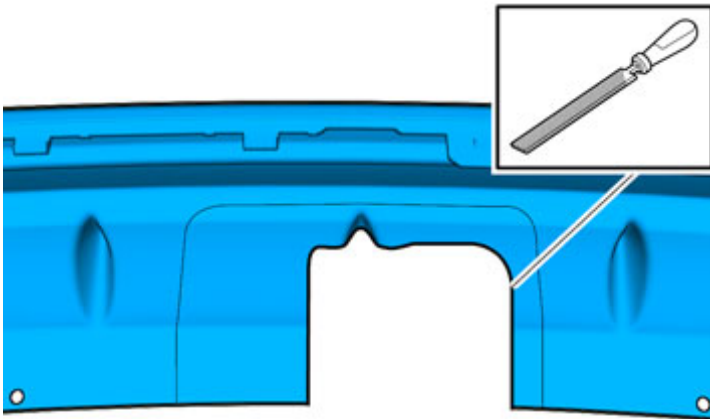


Caution!

Take extra care not to damage the wiring harnesses.

IMG-367037

36



Deburr edges

IMG-367057

37

Reinstall the removed parts in reverse order.