



Installation instructions, accessories

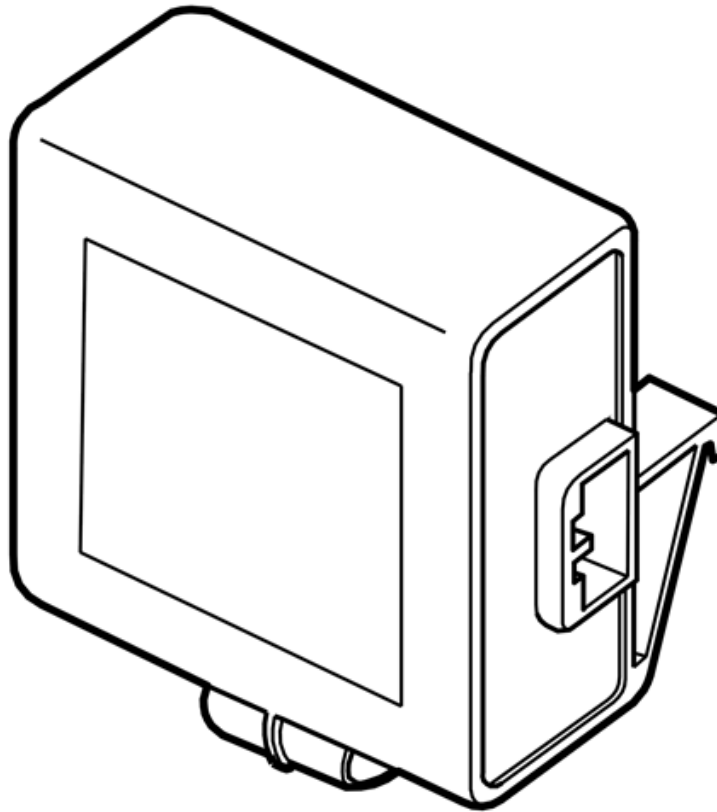
Volvo Car Corporation Gothenburg, Sweden

Instruction No
8685531

Version
1.4

Part. No.
9472105

Level sensor for alarm



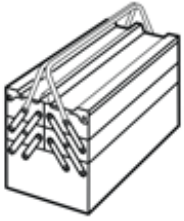
D3902151



Installation instructions, accessories

Volvo Car Corporation Gothenburg, Sweden

Equipment



A0000162



A0801178



Installation instructions, accessories

Volvo Car Corporation Gothenburg, Sweden

INTRODUCTION

Read through all of the instructions before starting installation.

Notifications and warning texts are for your safety and to minimise the risk of something breaking during installation.

Ensure that all tools stated in the instructions are available before starting installation.

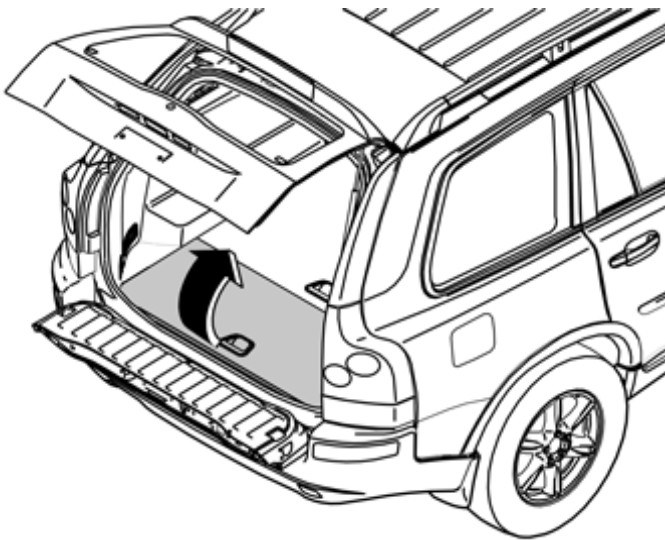
Certain steps in the instructions are only presented in the form of images. Explanatory text is also given for more complicated steps.

In the event of any problems with the instructions or the accessory, contact your local Volvo dealer.

Note!

This accessory requires software unique to the car.

1



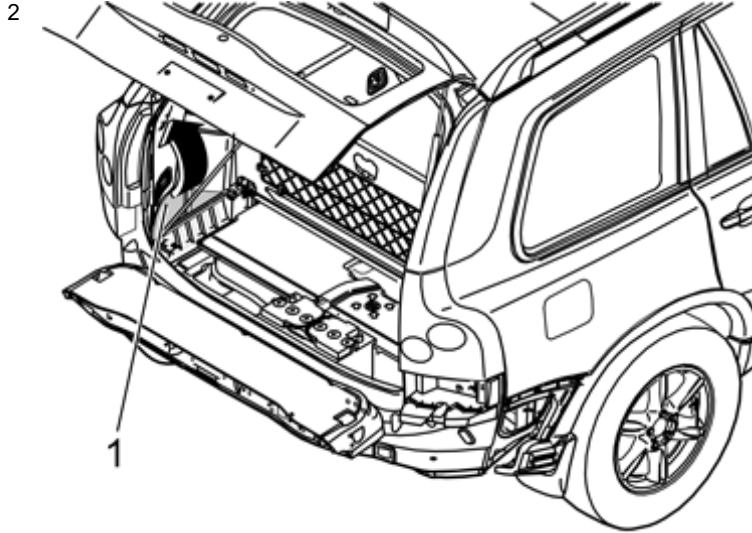
Fold the rear centre floor hatch up.

R8503999



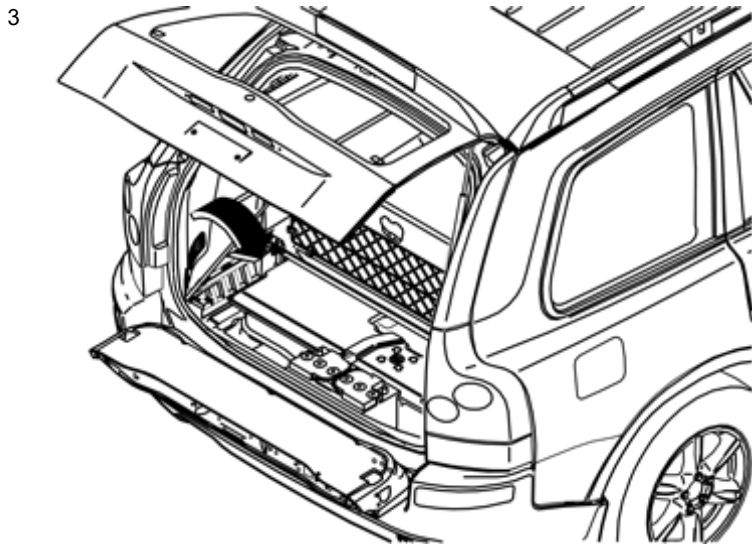
Installation instructions, accessories

Volvo Car Corporation Gothenburg, Sweden



Remove the left-hand side floor hatch (1).

R8504000



Remove the left-hand folding side panel.

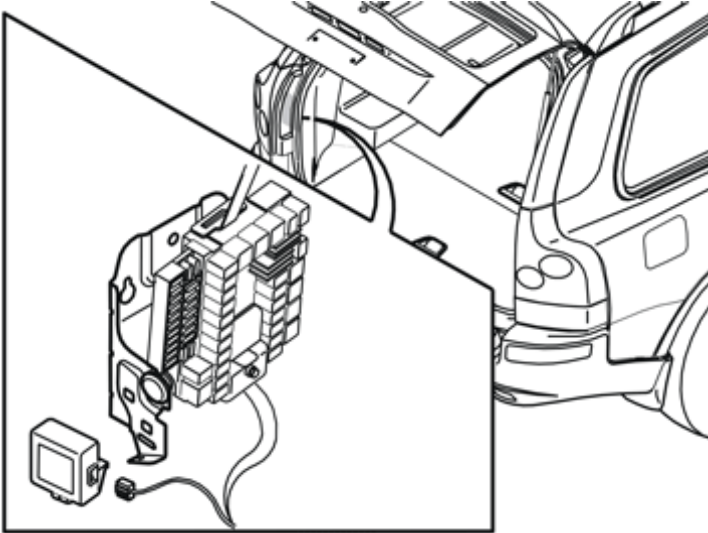
R8902766



Installation instructions, accessories

Volvo Car Corporation Gothenburg, Sweden

4



R3903615

Disconnect the pre-routed green connector, taped on the cable harness under the fuse holder

Connect the connector to the tilt sensor

Install the tilt sensor on the fuse holder bracket. First hook the tilt sensor in the uppermost hole on the bracket. Then secure in the lower hole

Reinstall the side panel

Reinstall the side floor hatch and fold down the floor hatch.

5

Program the software according to the service information in VIDA.