

Installation instructions, accessories

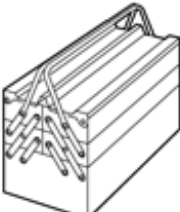



Volvo Car Corporation Gothenburg, Sweden

Instruction No 31373016 **Version** 1.0 **Part. No.** 31373025, 31373021, 31373016

Protective plate, beneath the engine

Special tools	
	981 4112 Drill Tool number:981 4112 Tool description:Drill Tool boards:EU99
	951 2782 Rivet nut tool Tool number:951 2782 Tool description:Rivet nut tool Tool boards:08

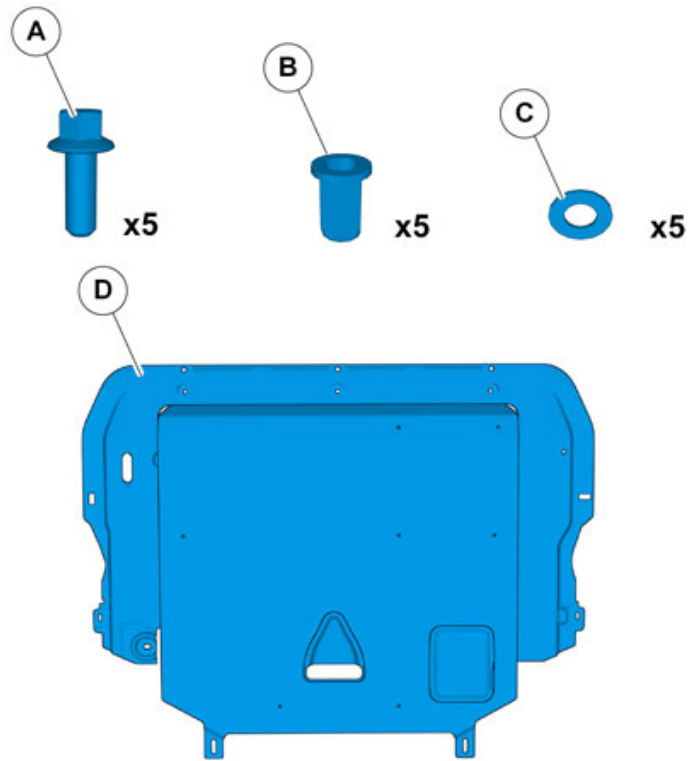
Materials	
Designation	Part number
Rust inhibitor, low viscosity	

Equipment			
 IMG-345497	 IMG-239664	 IMG-239660	 IMG-372350

Nm
lbf.ft

Installation instructions, accessories

Volvo Car Corporation Gothenburg, Sweden



IMG-372323

Installation instructions, accessories

Volvo Car Corporation Gothenburg, Sweden

Information

1

Read through all of the instructions before starting installation.

Notifications and warning texts are for your safety and to minimise the risk of something breaking during installation.

Ensure that all tools stated in the instructions are available before starting installation.

Certain steps in the instructions are only presented in the form of images. Explanatory text is also given for more complicated steps.

In the event of any problems with the instructions or the accessory, contact your local Volvo dealer.

Color symbols

2



IMG-363036

Note!

This colour chart displays (in colour print and electronic version) the importance of the different colours used in the images of the method steps.

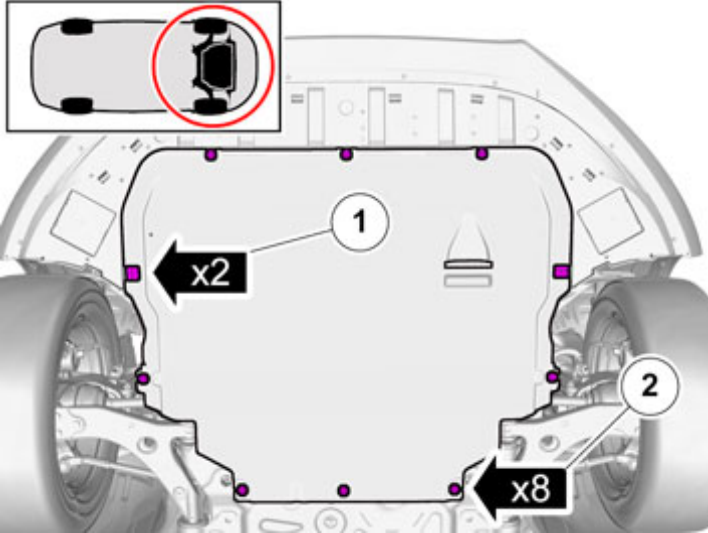
1. Used for focused component, the component with which you will do something.
 2. Used as extra colors when you need to show or differentiate additional parts.
 3. Used for attachments that are to be removed/installed. May be screws, clips, connectors, etc.
 4. Used when the component is not fully removed from the vehicle but only hung to the side.
 5. Used for standard tools and special tools.
 6. Used as background color for vehicle components.
-

Removal

Installation instructions, accessories

Volvo Car Corporation Gothenburg, Sweden

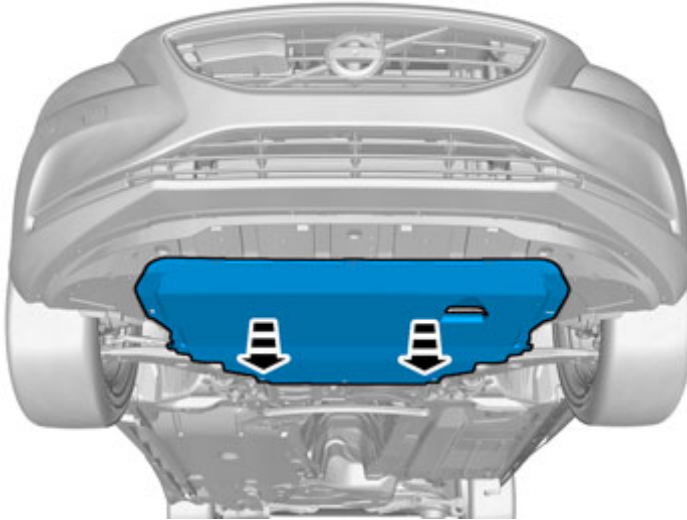
3



IMG-358506

Raise the car.

4

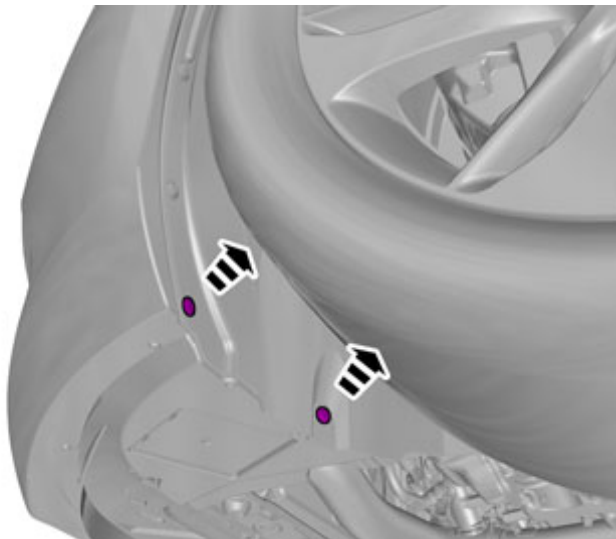


IMG-358531

Installation instructions, accessories

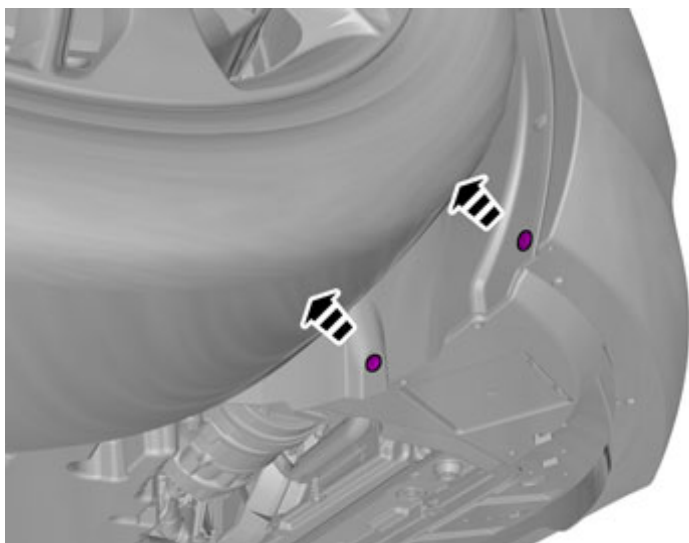
Volvo Car Corporation Gothenburg, Sweden

5



IMG-372279

6

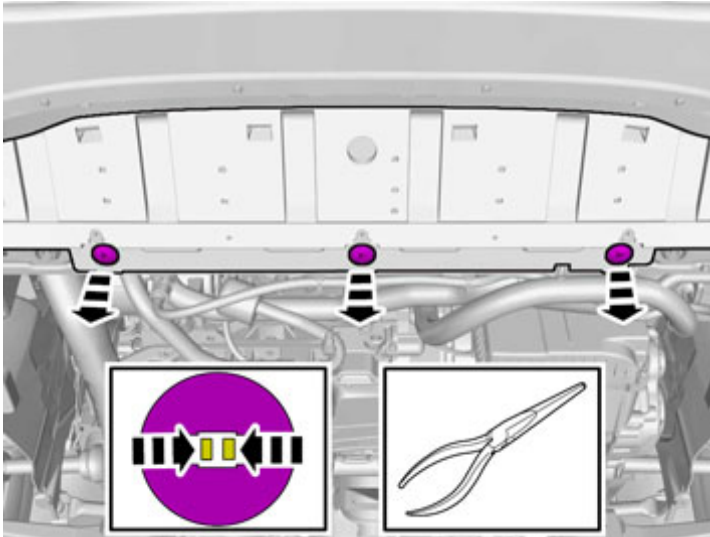


IMG-372280

Installation instructions, accessories

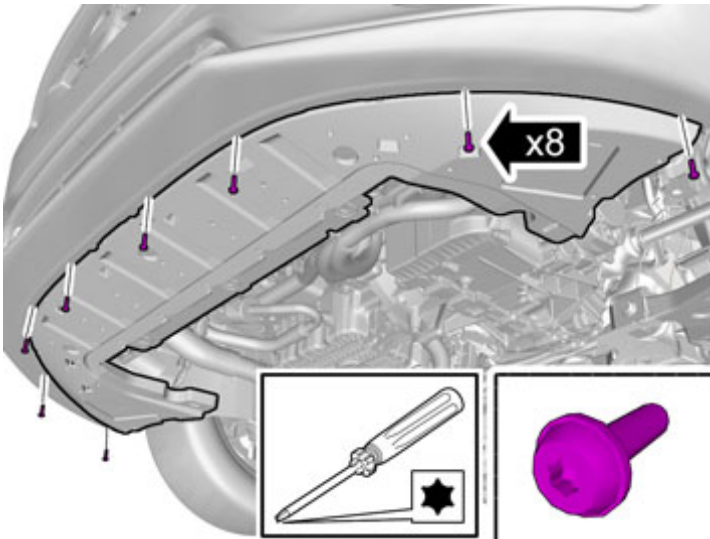
Volvo Car Corporation Gothenburg, Sweden

7



IMG-358536

8

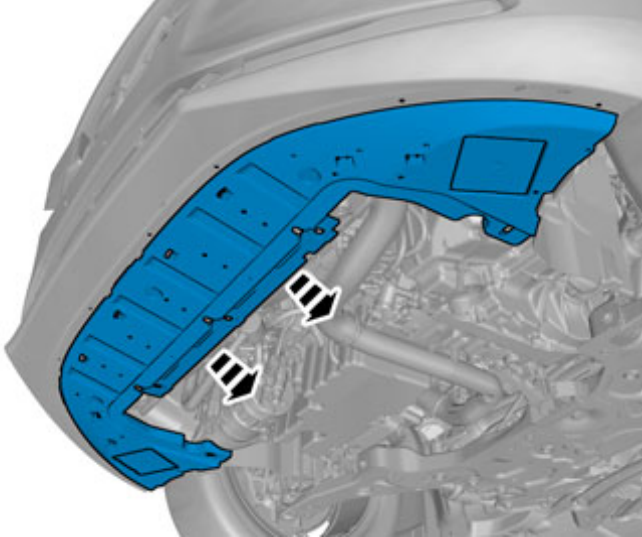


IMG-371193

Installation instructions, accessories

Volvo Car Corporation Gothenburg, Sweden

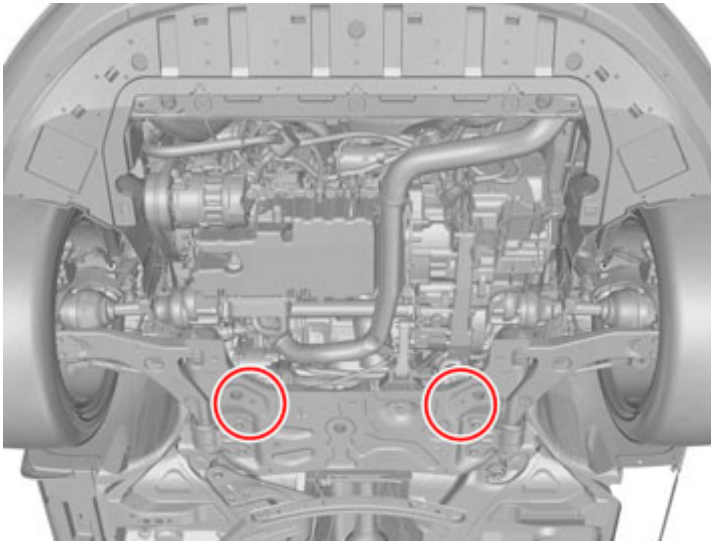
9



IMG-372281

Accessory installation

10



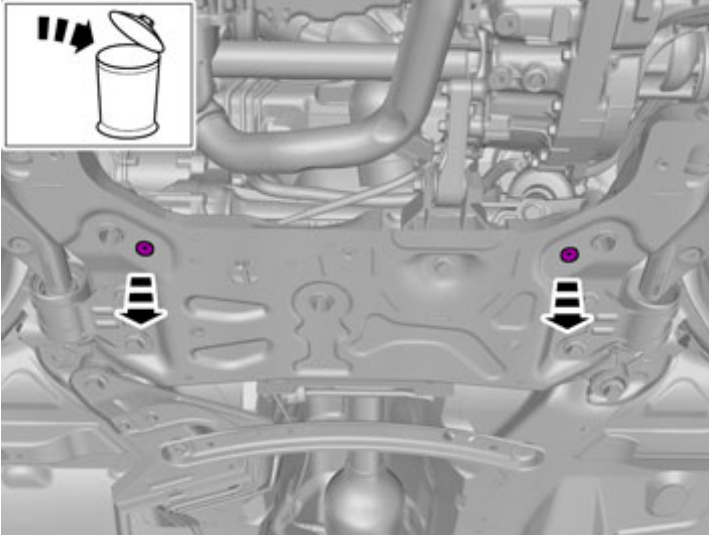
IMG-372282

Note!
Orientation view

Installation instructions, accessories

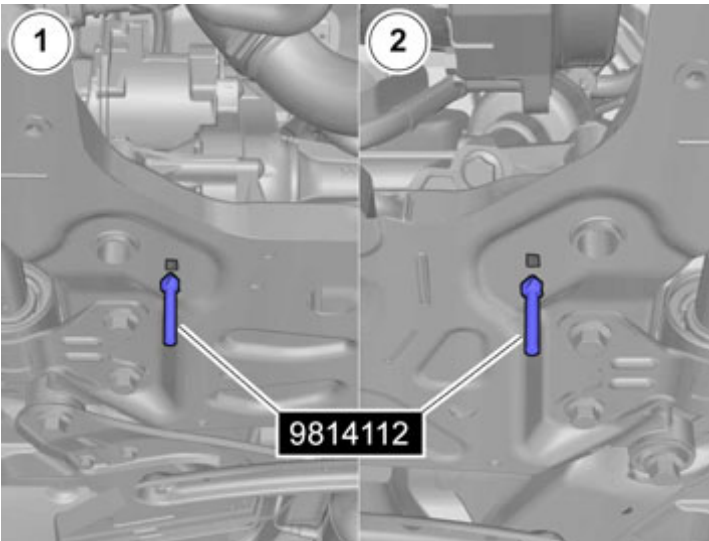
Volvo Car Corporation Gothenburg, Sweden

11



IMG-372270

12



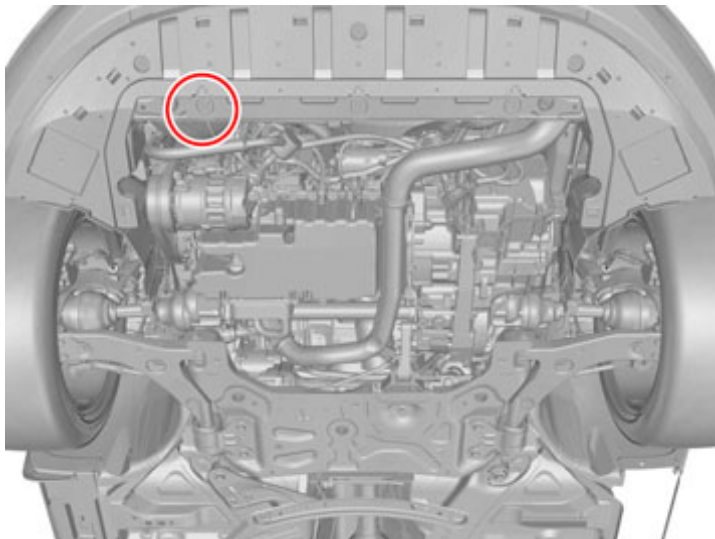
IMG-372271

Use special tool: T9814112, Drill

Installation instructions, accessories

Volvo Car Corporation Gothenburg, Sweden

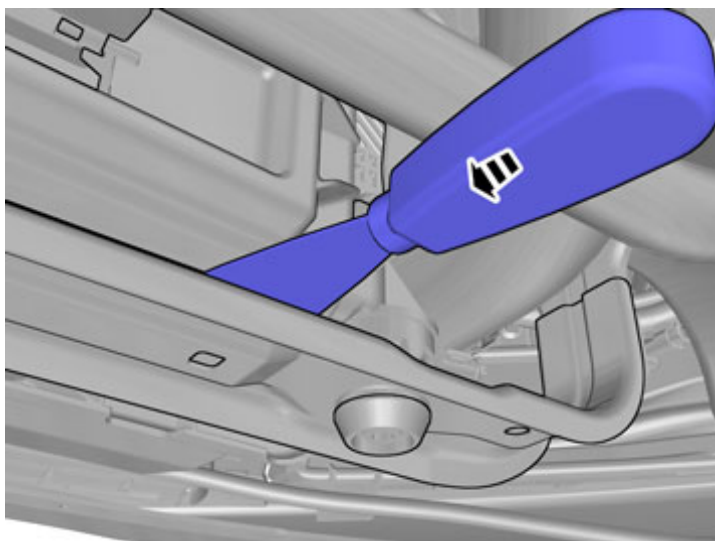
13



IMG-372284

Note!
Orientation view

14



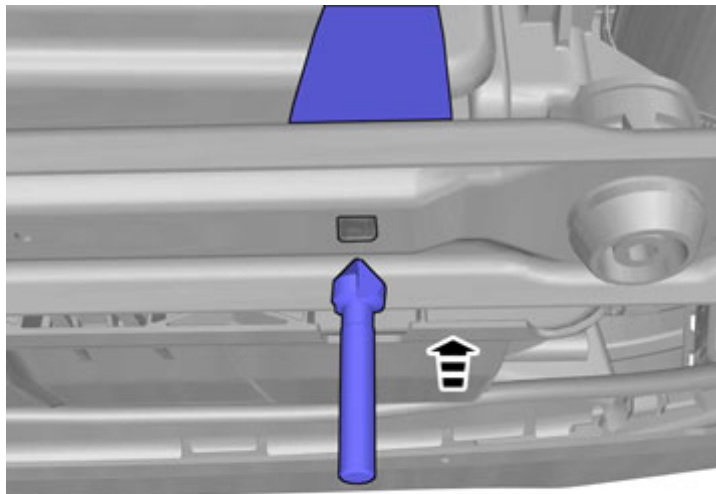
IMG-372334

Use: Putty knife (panel)

Installation instructions, accessories

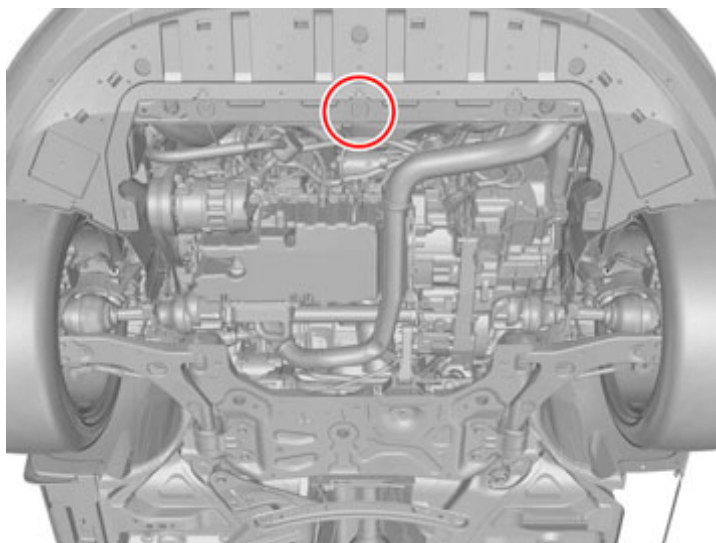
Volvo Car Corporation Gothenburg, Sweden

15



IMG-372335

16



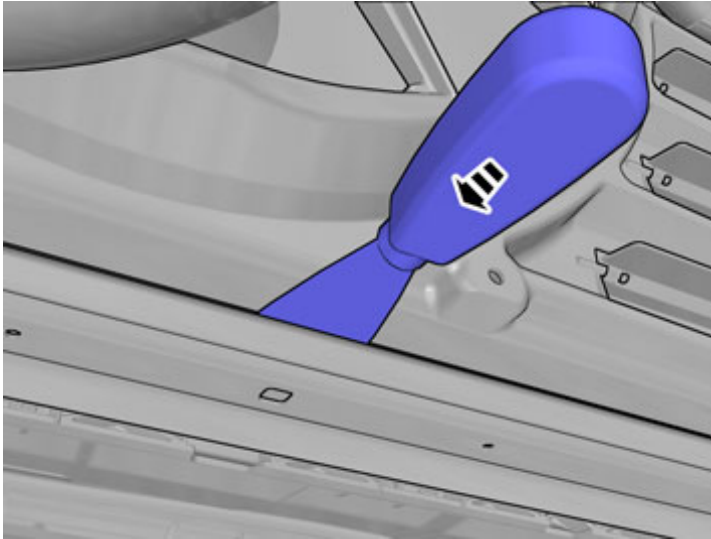
IMG-372285

Note!
Orientation view

Installation instructions, accessories

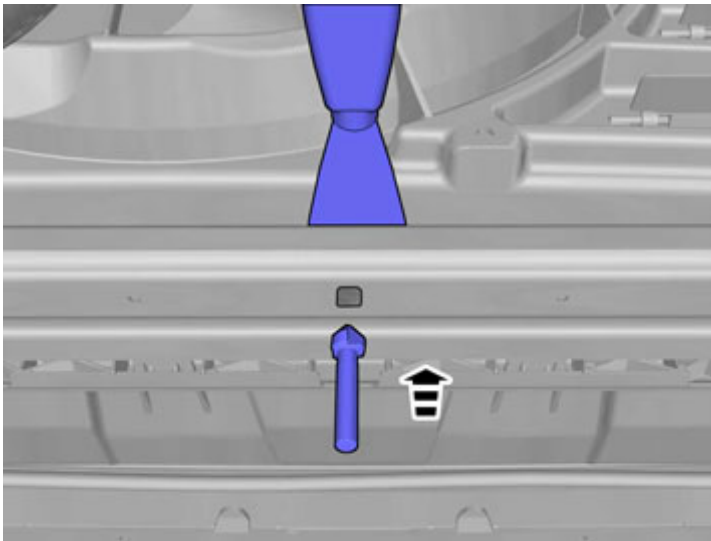
Volvo Car Corporation Gothenburg, Sweden

17



IMG-372336

18

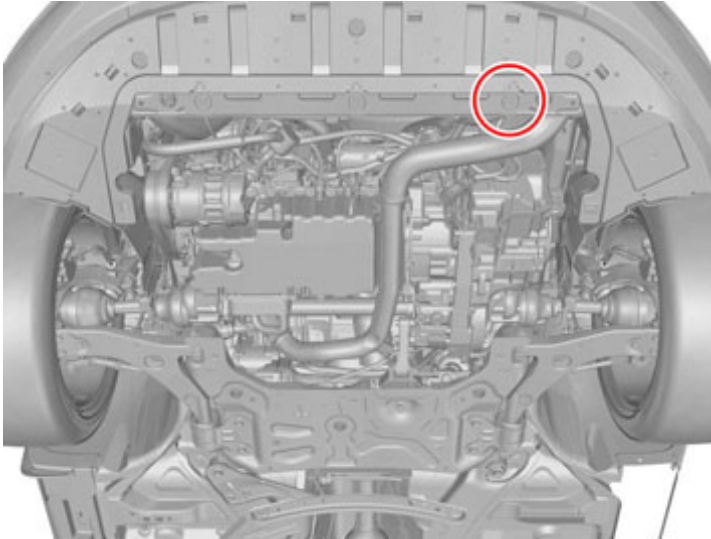


IMG-372337

Installation instructions, accessories

Volvo Car Corporation Gothenburg, Sweden

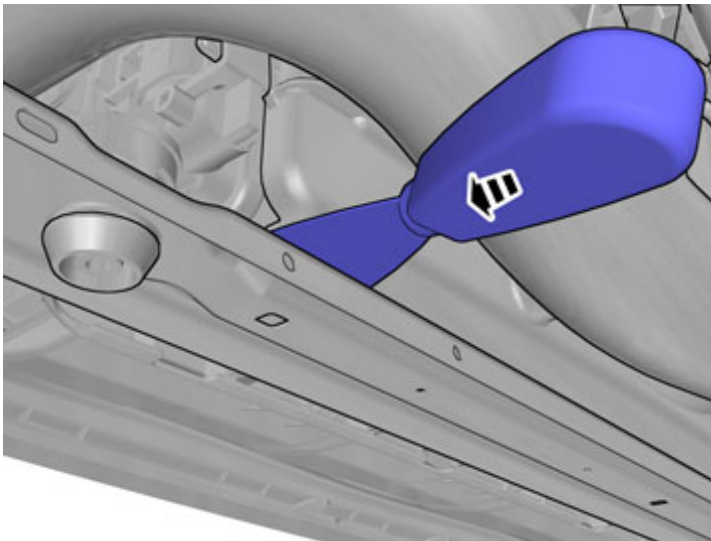
19



IMG-372287

Note!
Orientation view

20

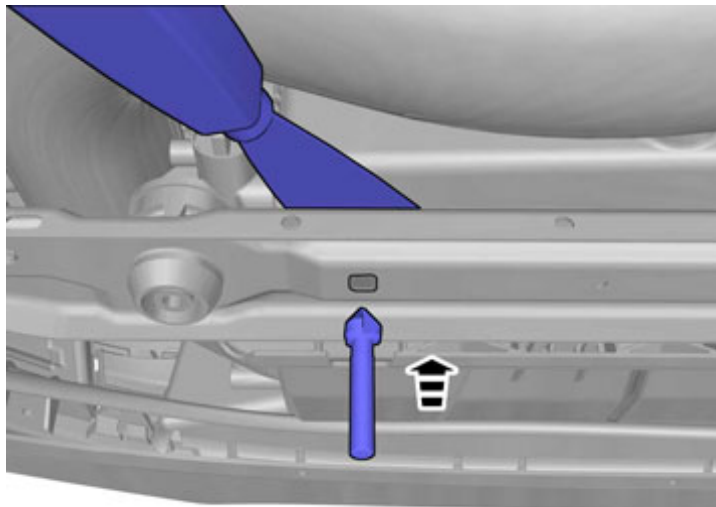


IMG-372338

Installation instructions, accessories

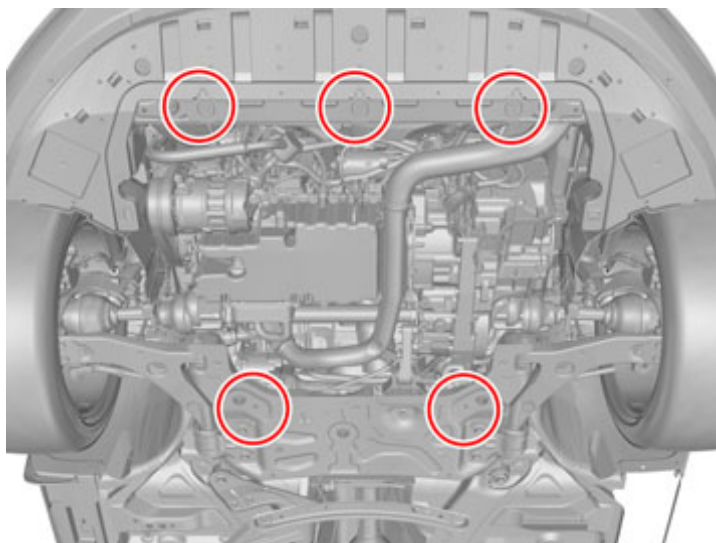
Volvo Car Corporation Gothenburg, Sweden

21



IMG-372339

22

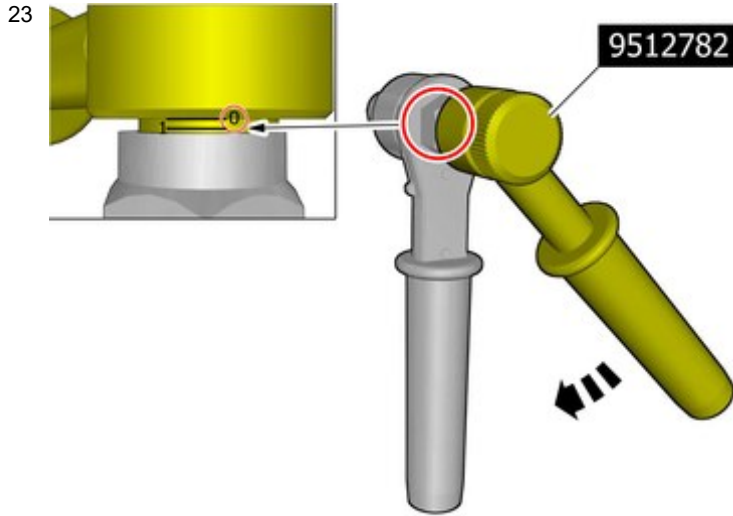


IMG-372274

Use: , Rust inhibitor, low viscosity

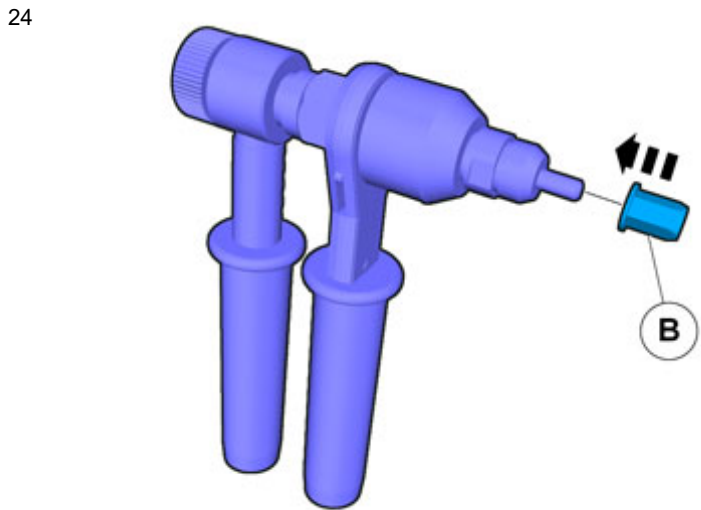
Installation instructions, accessories

Volvo Car Corporation Gothenburg, Sweden



Use special tool: T9512782, Rivet nut tool
Reset the tool.

IMG-372305

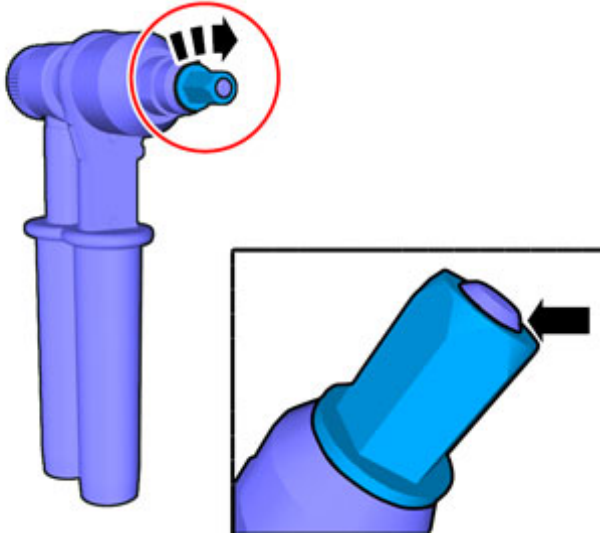


IMG-367096

Installation instructions, accessories

Volvo Car Corporation Gothenburg, Sweden

25

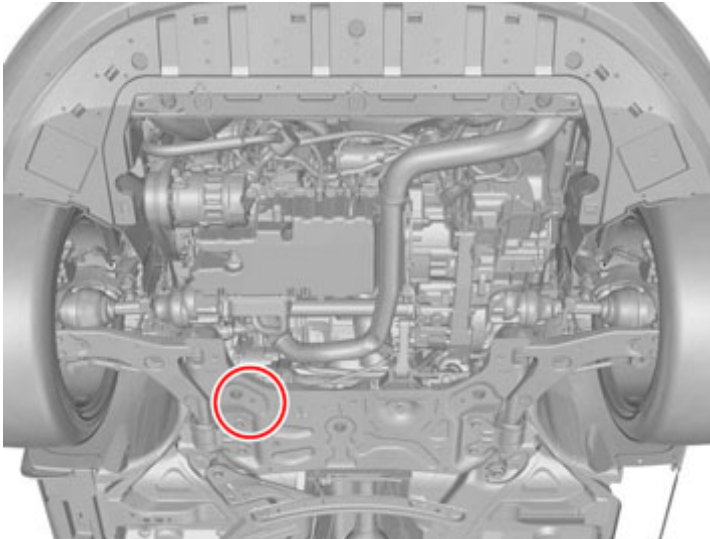


IMG-367098

Use hands only.

The outermost thread of the tool should be flush with the rivet nut end.

26



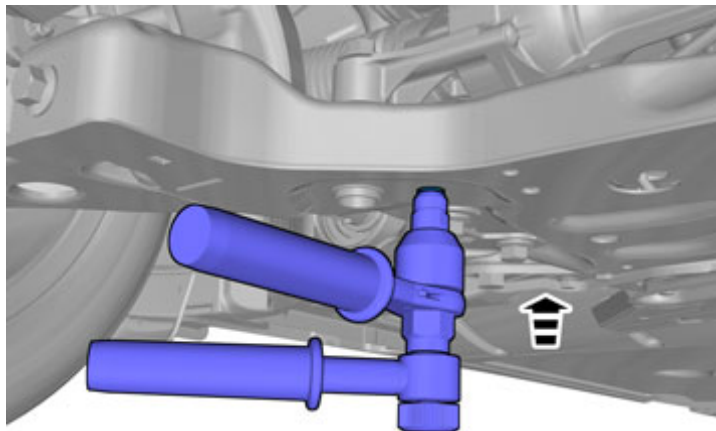
IMG-372307

Note!
Orientation view

Installation instructions, accessories

Volvo Car Corporation Gothenburg, Sweden

27

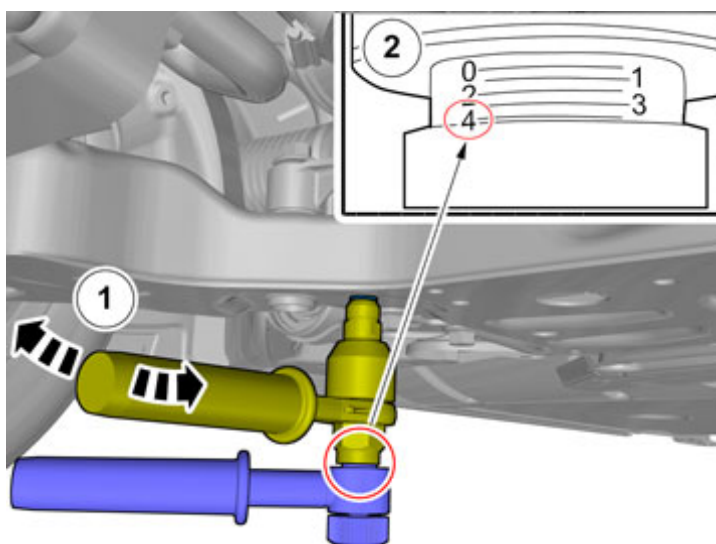


IMG-372295

Press the tool against the surface.

Hold the tool at right angles to the surface.

28



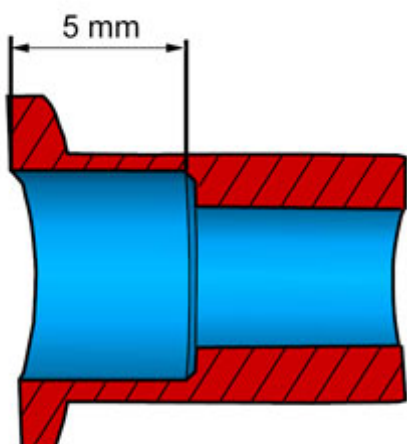
IMG-372296

Tighten to the value stated.

Installation instructions, accessories

Volvo Car Corporation Gothenburg, Sweden

29

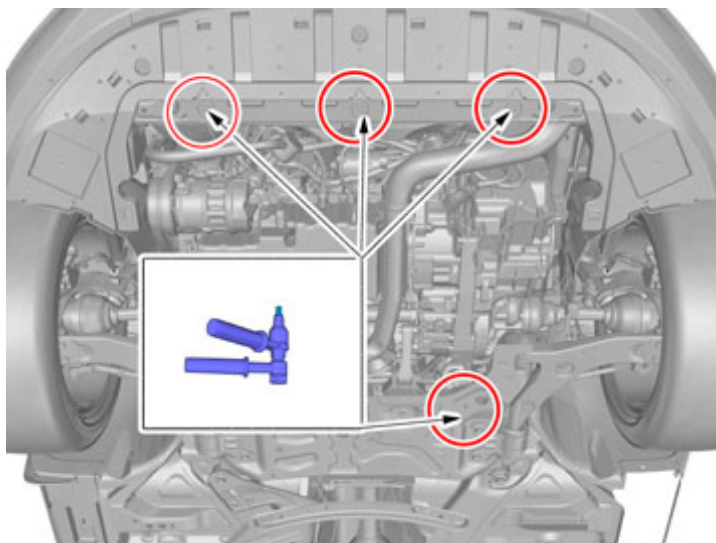


Measure

Use: Vernier caliper

IMG-373060

30

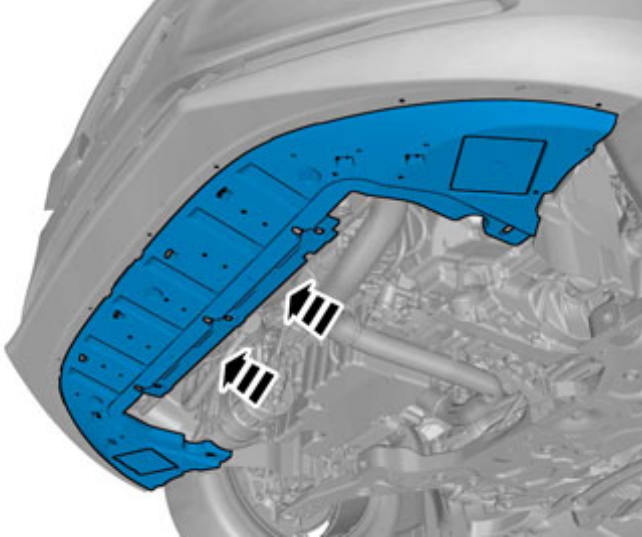


IMG-372306

Installation instructions, accessories

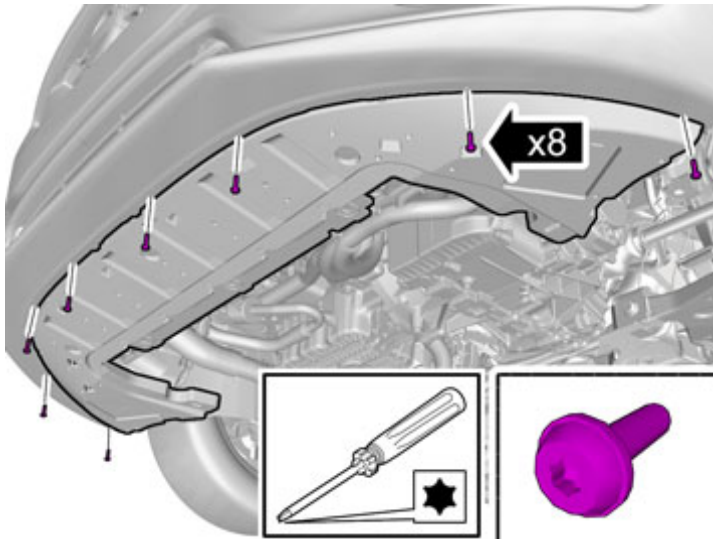
Volvo Car Corporation Gothenburg, Sweden

31



IMG-372312

32

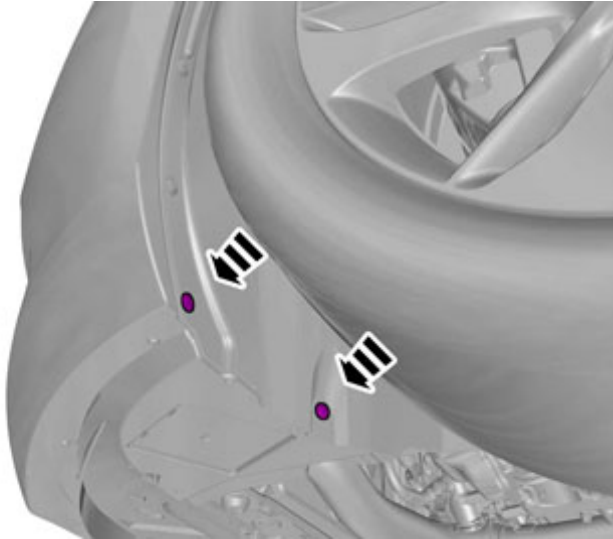


IMG-371193

Installation instructions, accessories

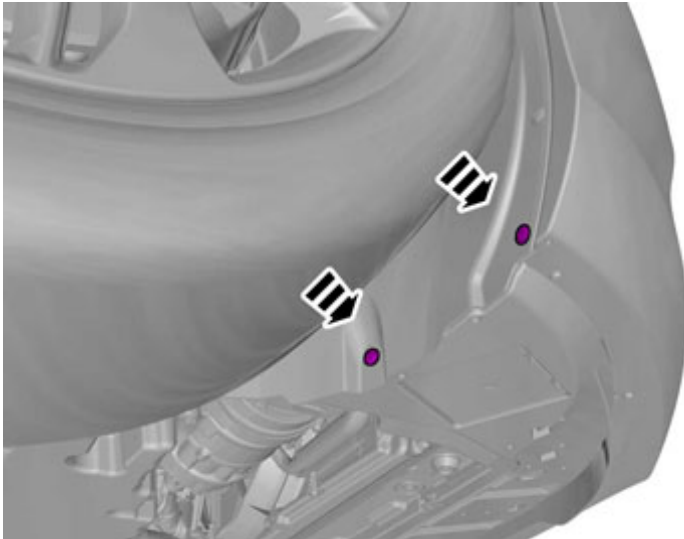
Volvo Car Corporation Gothenburg, Sweden

33



IMG-372313

34

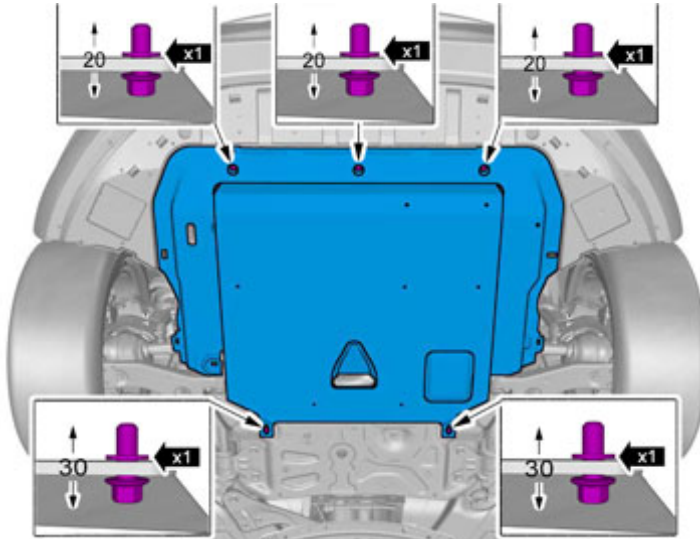


IMG-372314

Installation instructions, accessories

Volvo Car Corporation Gothenburg, Sweden

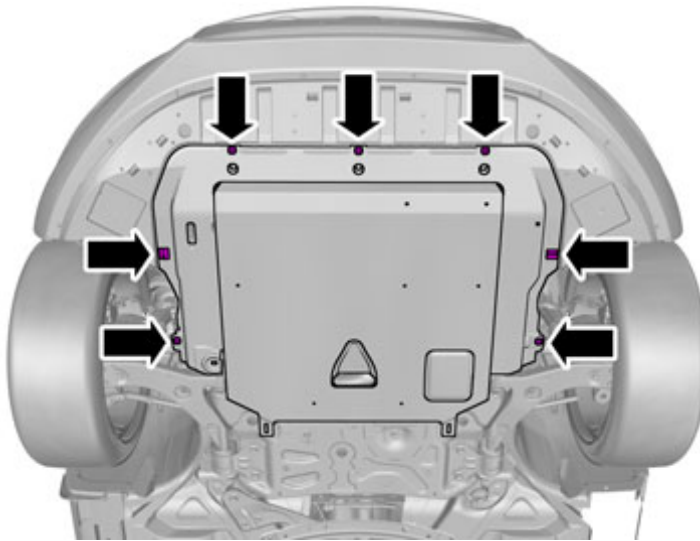
35



Tightening torque: M8 , 24 Nm

IMG-372326

36



IMG-372327