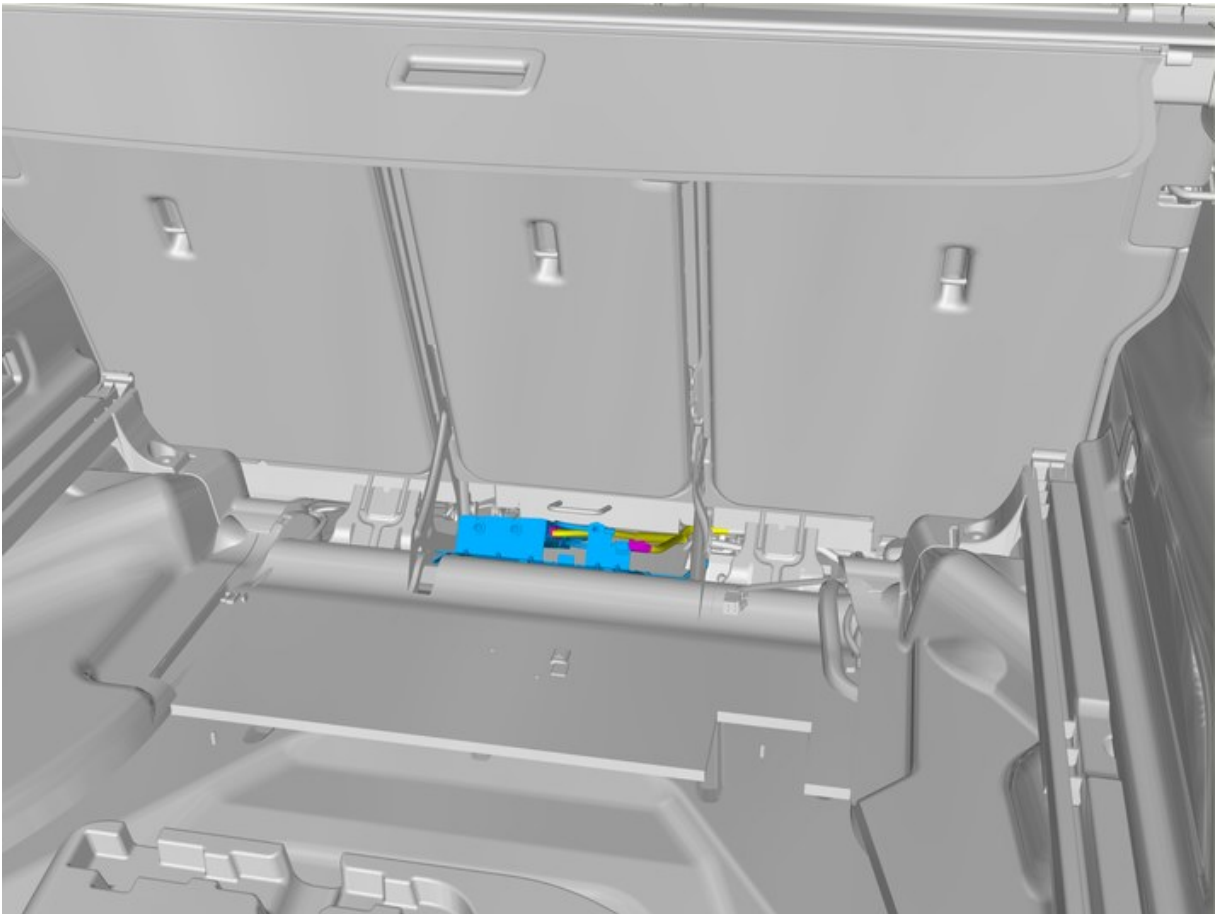


Installation instructions, accessories

Volvo Car Corporation Gothenburg, Sweden

Instruction No 31414315 **Version** 1.2 **Part. No.** 32270870, 32270871

Digital radio, DAB

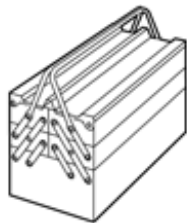


IMG-394951

Equipment

VIDA

IMG-242205



IMG-345497

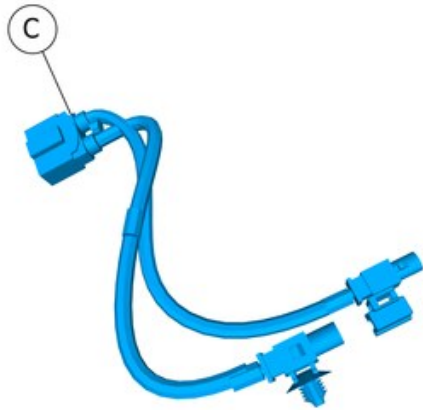
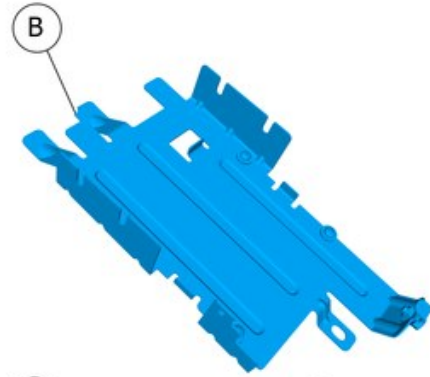
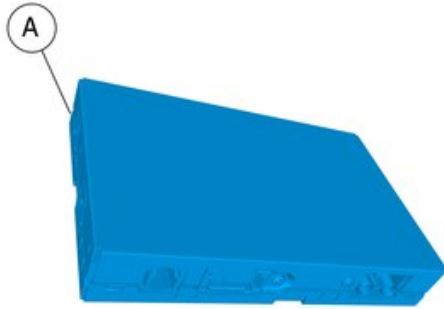


IMG-239664

Nm
lbf.ft

Installation instructions, accessories

Volvo Car Corporation Gothenburg, Sweden



IMG-394782

Installation instructions, accessories

Volvo Car Corporation Gothenburg, Sweden

Information

1

Read through all of the instructions before starting installation.

Notifications and warning texts are for your safety and to minimise the risk of something breaking during installation.

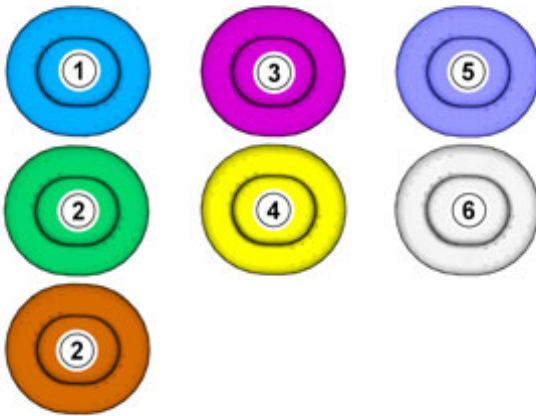
Ensure that all tools stated in the instructions are available before starting installation.

Certain steps in the instructions are only presented in the form of images. Explanatory text is also given for more complicated steps.

In the event of any problems with the instructions or the accessory, contact your local Volvo dealer.

Color symbols

2



Note!

This colour chart displays (in colour print and electronic version) the importance of the different colours used in the images of the method steps.

1. Used for focused component, the component with which you will do something.
2. Used as extra colors when you need to show or differentiate additional parts.
3. Used for attachments that are to be removed/installed. May be screws, clips, connectors, etc.
4. Used when the component is not fully removed from the vehicle but only hung to the side.
5. Used for standard tools and special tools.
6. Used as background color for vehicle components.

IMG-363036

3

Set the ignition key to position 0.



IMG-332193

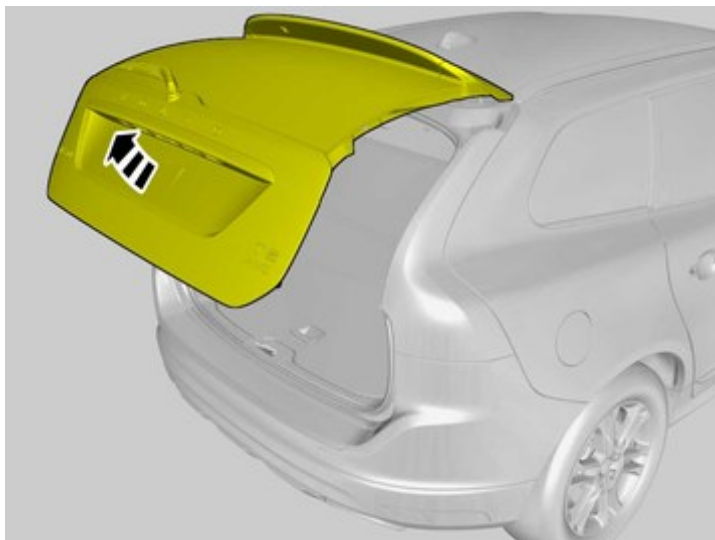
Installation instructions, accessories

Volvo Car Corporation Gothenburg, Sweden

Removal

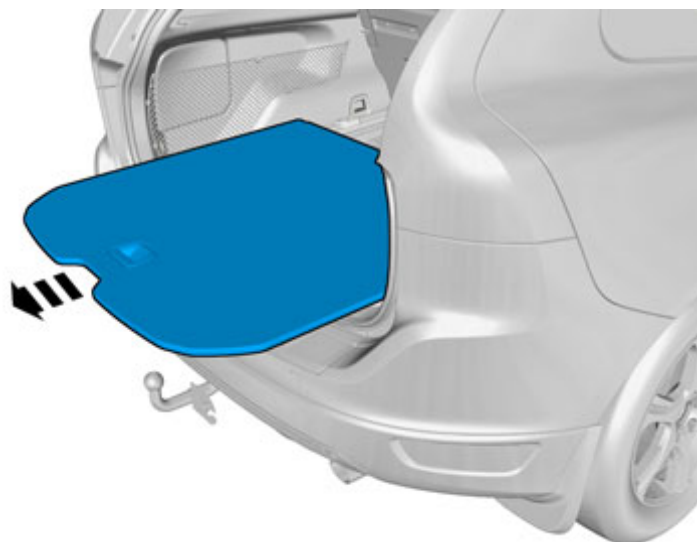
All vehicles

4



IMG-394276

5



IMG-346921

Remove the marked part.

Installation instructions, accessories

Volvo Car Corporation Gothenburg, Sweden

6

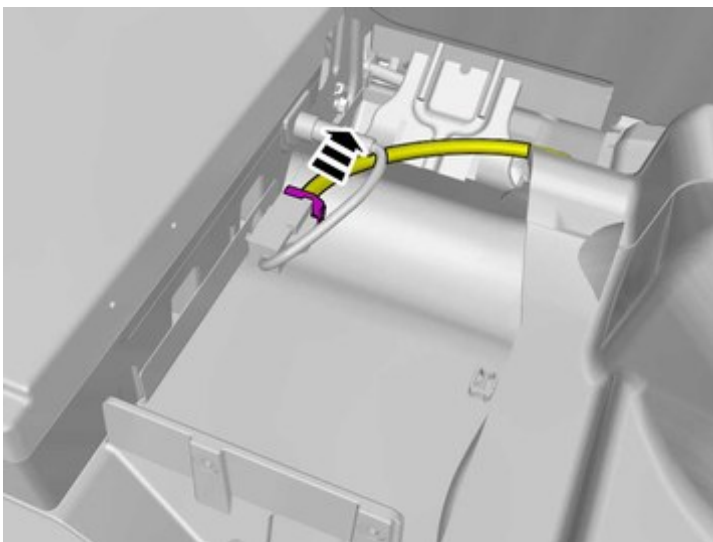


IMG-346811

Remove the marked part.

Vehicles with subwoofer speaker

7



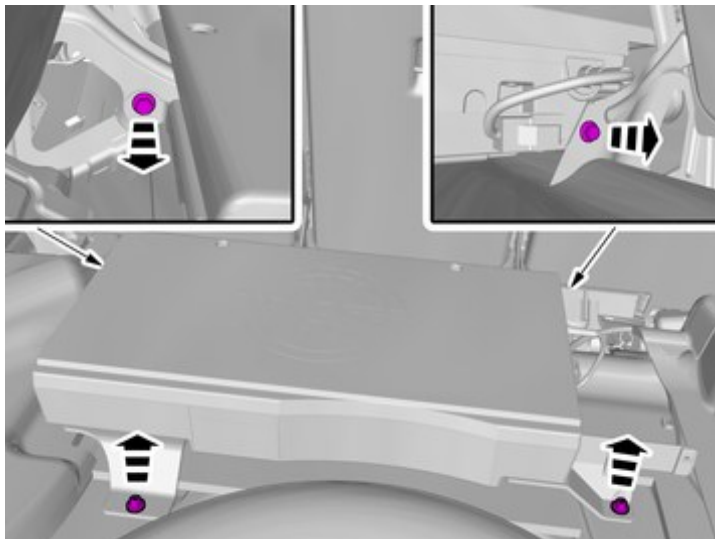
IMG-395146

Disconnect the connector.

Installation instructions, accessories

Volvo Car Corporation Gothenburg, Sweden

8

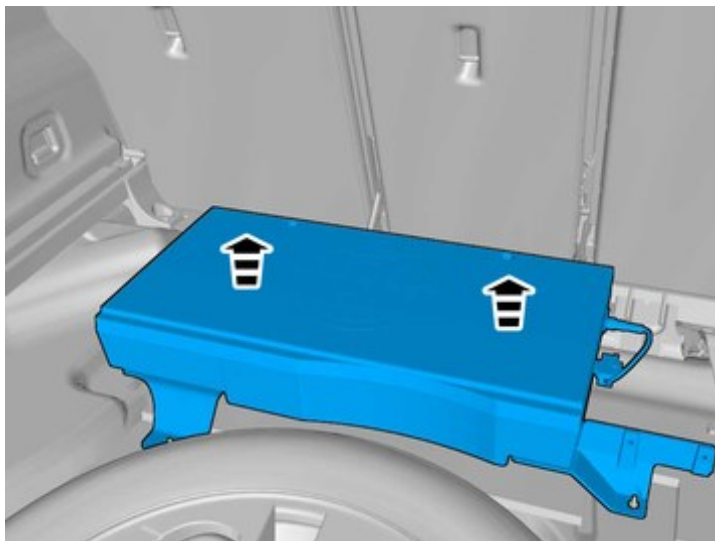


IMG-395147

Remove the nuts.

Loosen the screws.

9



IMG-395149

Remove the marked part.

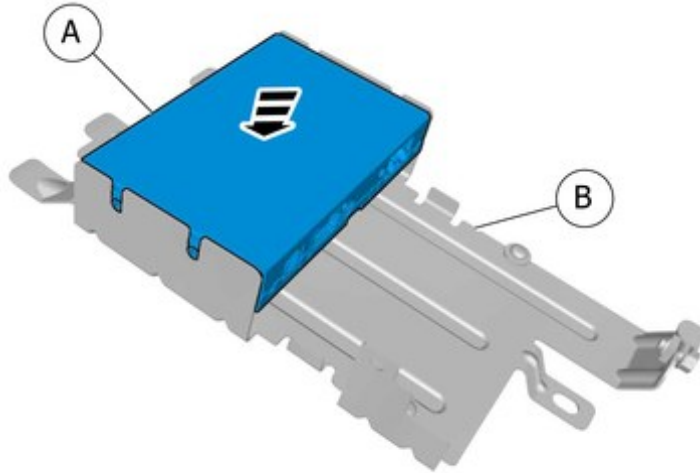
Accessory installation

All vehicles

Installation instructions, accessories

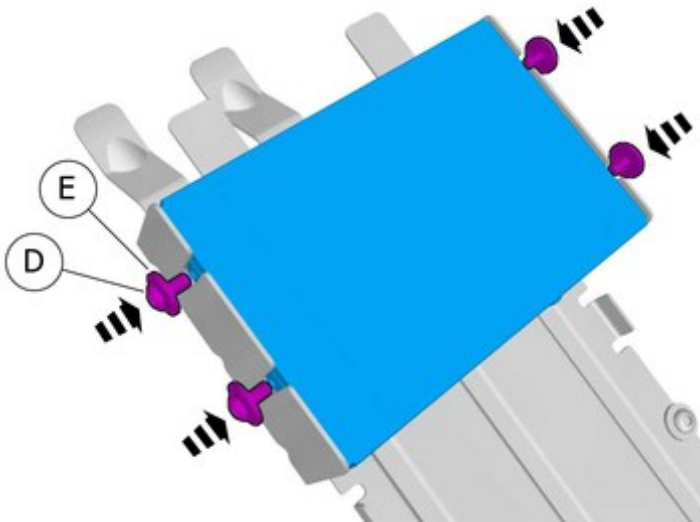
Volvo Car Corporation Gothenburg, Sweden

10



IMG-394788

11



IMG-394790

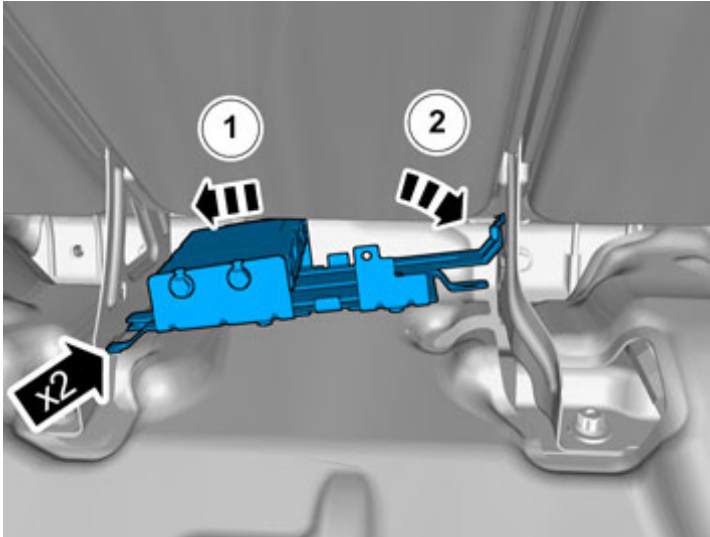
Install component that comes with the accessory kit.

Install the screws.

Installation instructions, accessories

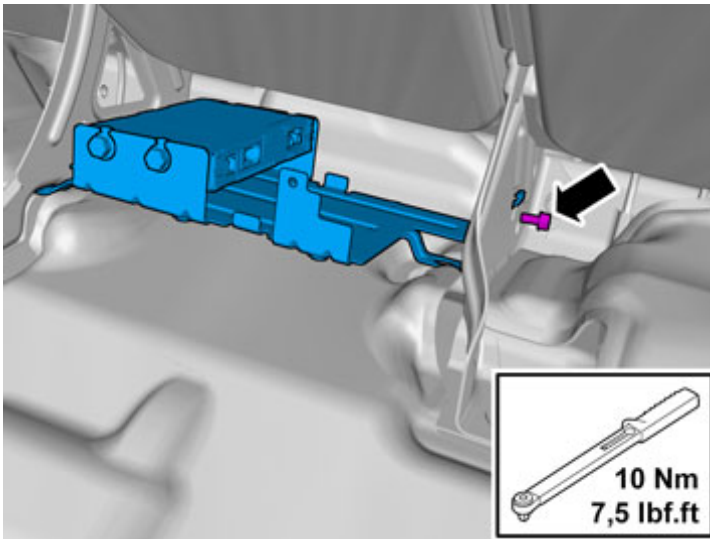
Volvo Car Corporation Gothenburg, Sweden

12



IMG-342320

13



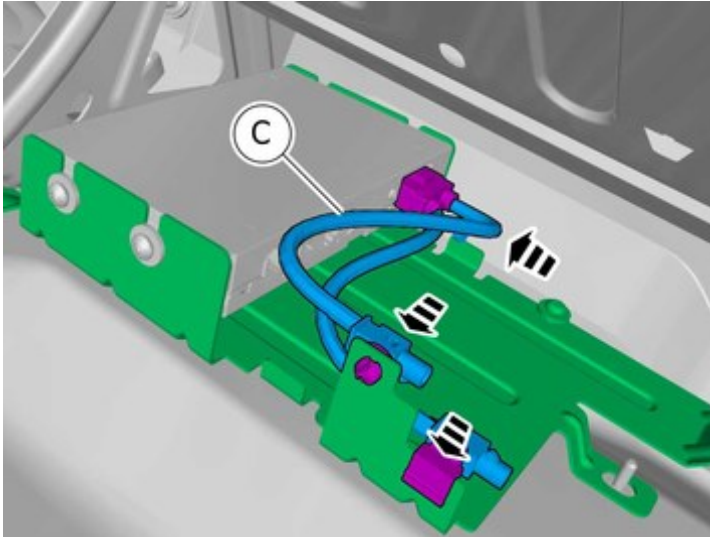
IMG-342321

Install the screw.

Installation instructions, accessories

Volvo Car Corporation Gothenburg, Sweden

14



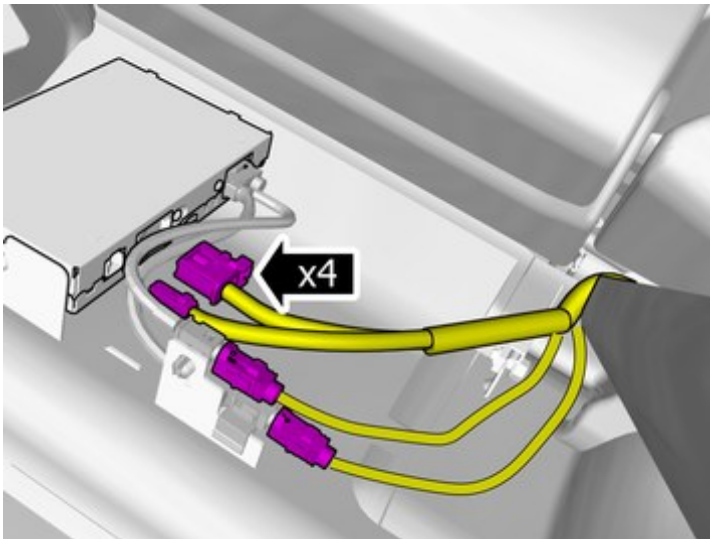
IMG-394806

Install component that comes with the accessory kit.

Connect the connector.

Install the clips as illustrated.

15



IMG-395171

Locate the existing connectors in the vehicle's cable harness.

Connect the connectors.

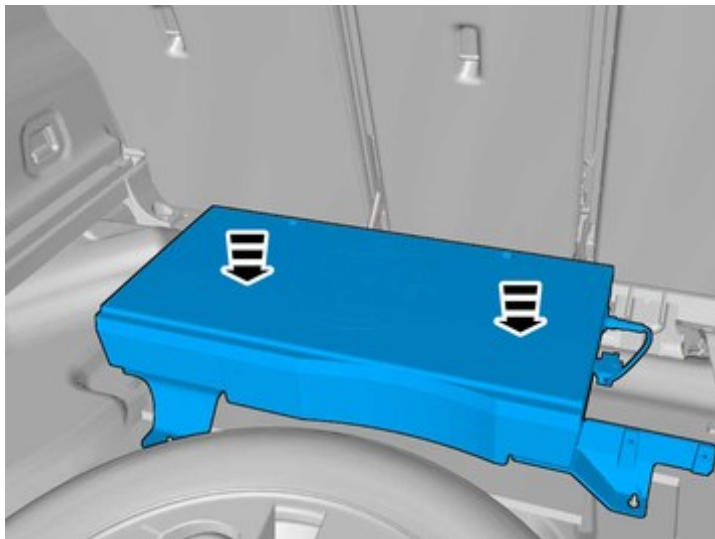
Installation

Vehicles with subwoofer speaker

Installation instructions, accessories

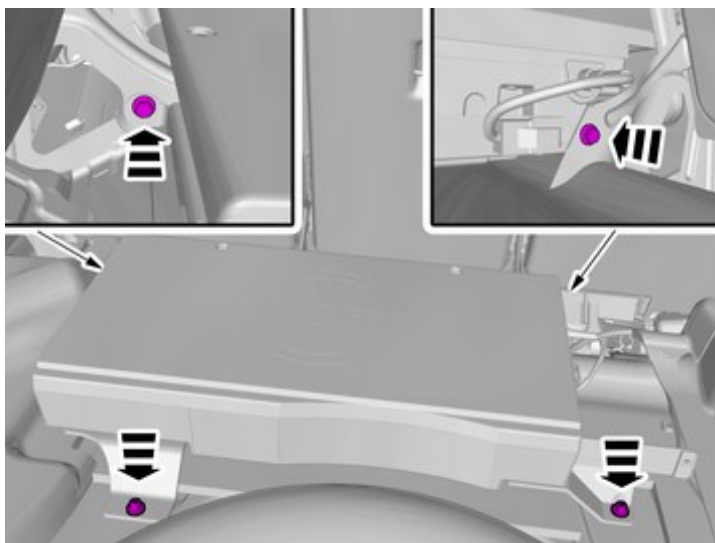
Volvo Car Corporation Gothenburg, Sweden

16



IMG-395152

17



IMG-395153

Install the screws.

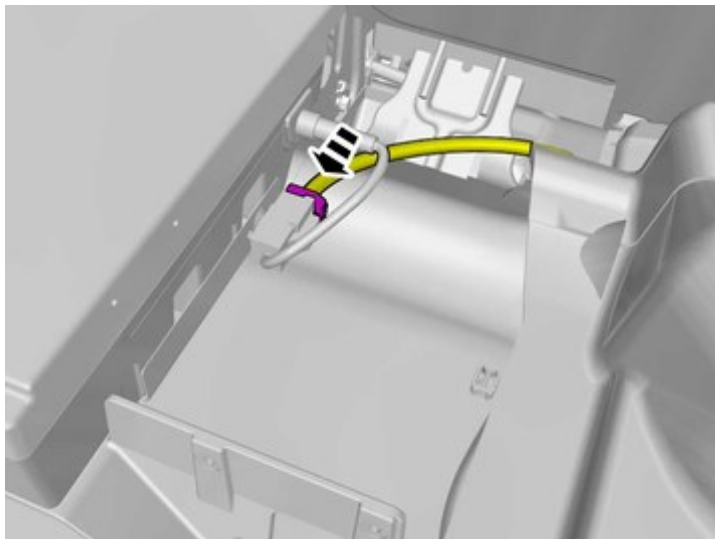
Tightening torque: M6 , 10 Nm

Install the nuts

Installation instructions, accessories

Volvo Car Corporation Gothenburg, Sweden

18



IMG-395154

Connect the connector.

All vehicles

19



IMG-394982

Installation instructions, accessories

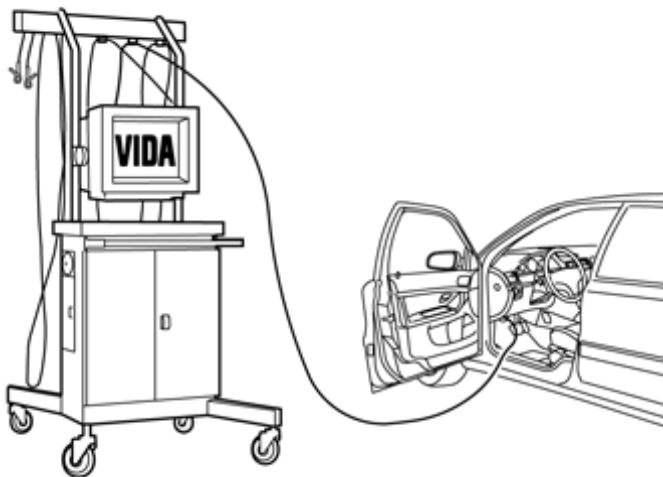
Volvo Car Corporation Gothenburg, Sweden

20



IMG-394981

21



IMG-242268

Note!

First, download the software for preparatory installation according to the accessory catalogue. Then do the download/reload of software for the accessory function.

Note!

When doing an aftermarket installation of DAB or DAB+, it is necessary to carry out a DAB application download.

Note!

When upgrading from DAB to DAB+, a DAB re-load is necessary.

Carry out a download, or a re-load, of accessory function software by following VIDA service information.