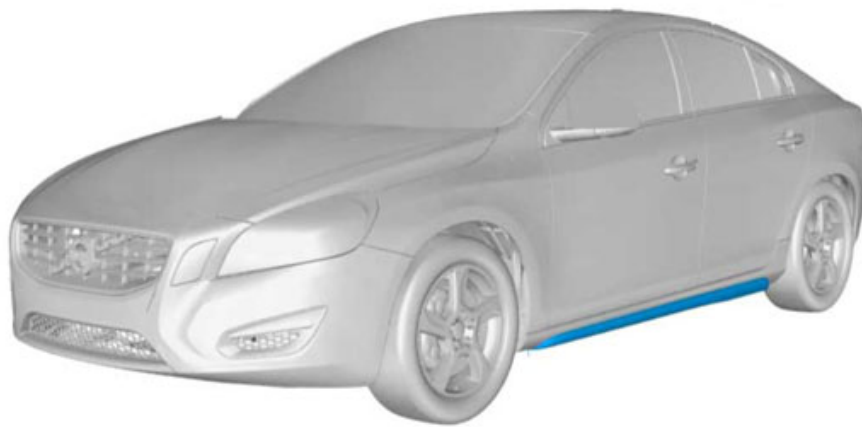


Installation instructions, accessories

Volvo Car Corporation Gothenburg, Sweden

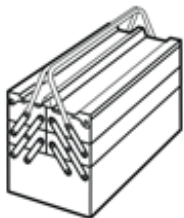
Instruction No 31283094 **Version** 1.1 **Part. No.** 31316074, 31316485, 31316484, 31283090, 31316075

Side scuff plate



IMG-339461

Equipment



A0000162



IMG-239940



IMG-239660

2 h

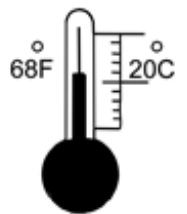


A0000177

48h



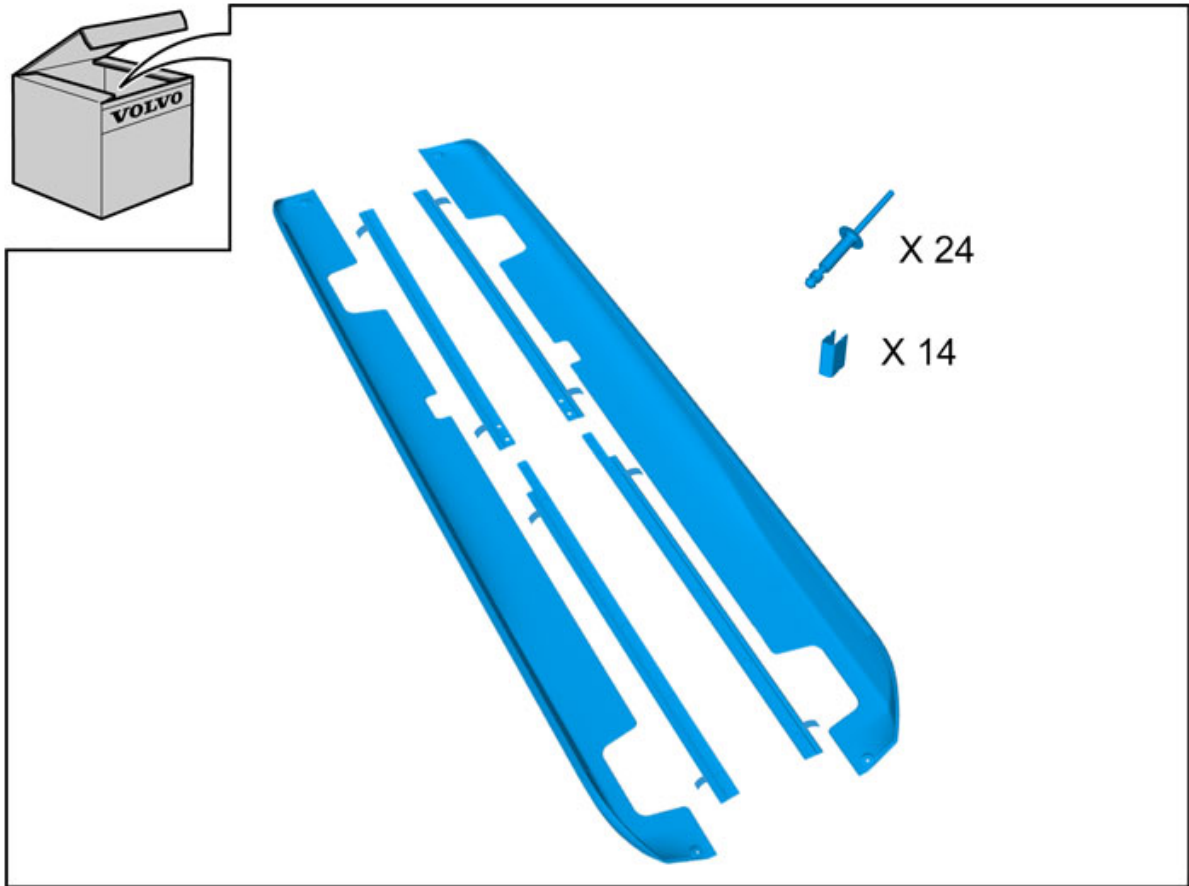
A0000214



M0000232

Installation instructions, accessories

Volvo Car Corporation Gothenburg, Sweden



IMG-339866

Installation instructions, accessories

Volvo Car Corporation Gothenburg, Sweden

INTRODUCTION

Read through all of the instructions before starting installation.

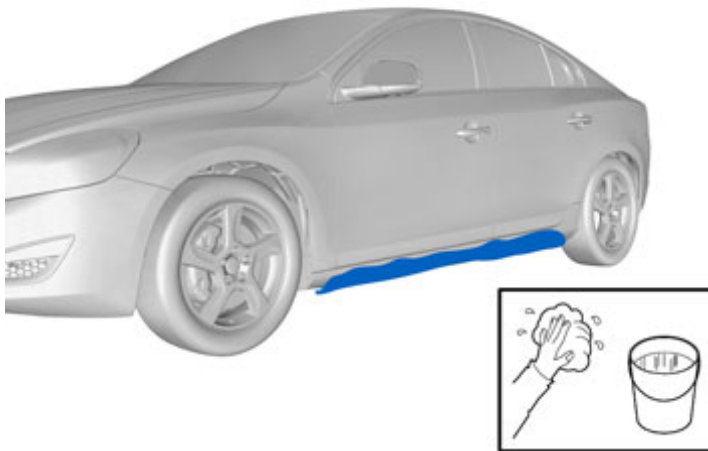
Notifications and warning texts are for your safety and to minimise the risk of something breaking during installation.

Ensure that all tools stated in the instructions are available before starting installation.

Certain steps in the instructions are only presented in the form of images. Explanatory text is also given for more complicated steps.

In the event of any problems with the instructions or the accessory, contact your local Volvo dealer.

1



IMG-340411

2

Installation of front cradle

Take one of the front cradles from the kit. All cradles are marked and only fit in one place. Always start with the front cradle.

Remove the protective tape from the mounting tape.

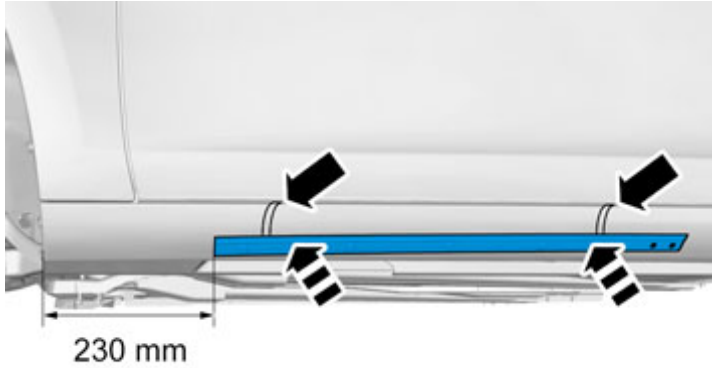


IMG-340416

Installation instructions, accessories

Volvo Car Corporation Gothenburg, Sweden

3

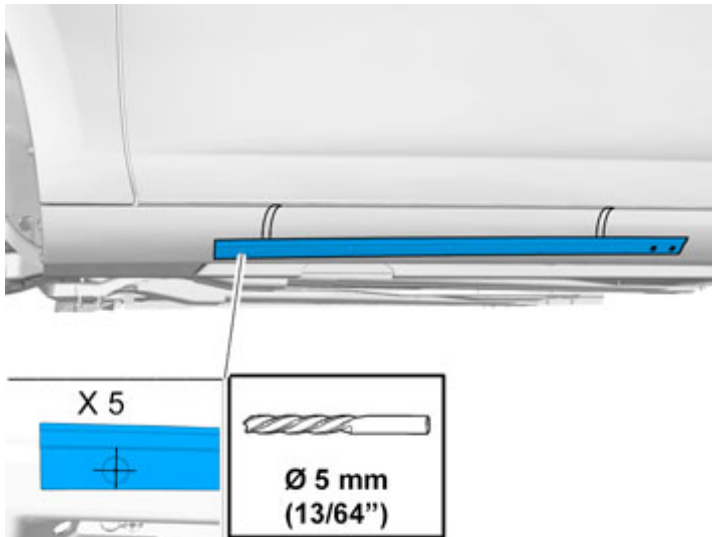


Align the front edge of the cradle according to the dimension measured from the front edge of the sill panel. Ensure that the tape does not adhere yet. Hook the cradle on the top of the sill panel.

Press the middle of the pieces of mounting tape.

IMG-340403

4



Drill out the five marked holes in the cradle using a $\text{Ø } 5 \text{ mm}$ ($13/64''$) drill bit.

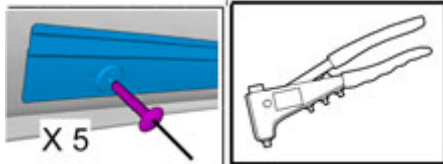
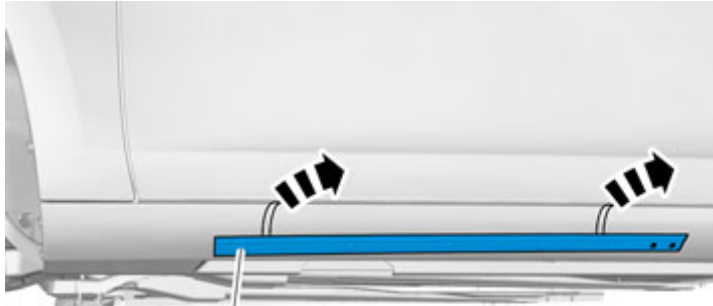
Remove the swarf. Use a feeler gauge to remove swarf between the cradle and sill panel.

IMG-340436

Installation instructions, accessories

Volvo Car Corporation Gothenburg, Sweden

5



X 5

IMG-340439

Rivet the cradle in all holes at the sill panel.

Break off the hooks along the cradle.

6



Installation of rear cradle

Take the rear cradle from the kit.

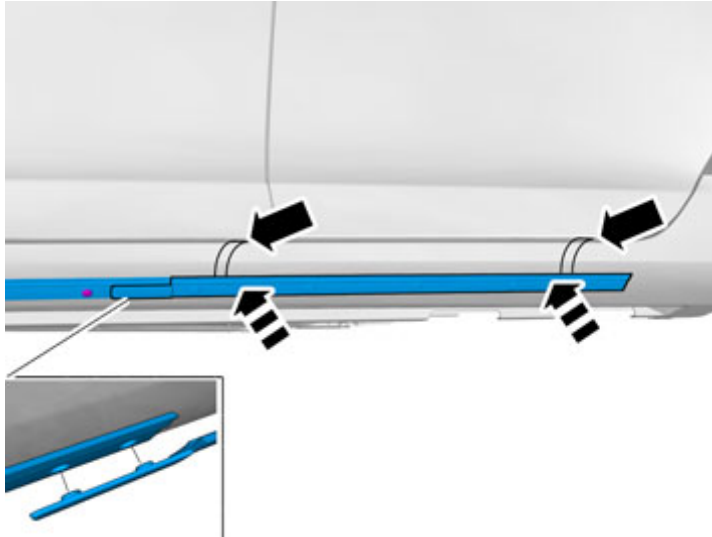
Remove the protective tape from the mounting tape at all locations.

IMG-340407

Installation instructions, accessories

Volvo Car Corporation Gothenburg, Sweden

7

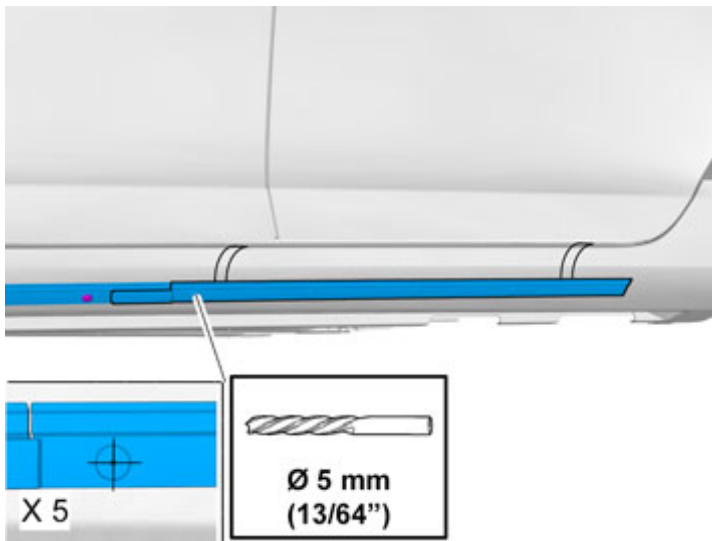


IMG-340404

Align the lugs on the cradle with corresponding holes in the front cradle. Ensure that the tape does not adhere yet.

Hook into the sill panel's upper edge and press at the pieces of mounting tape.

8



IMG-340445

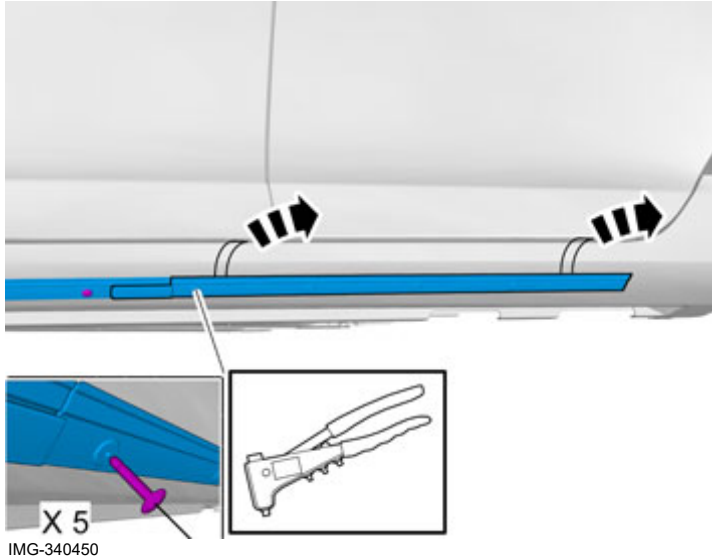
Drill out the five marked holes in the cradle using a Ø 5 mm (13/64") drill bit.

Remove the swarf. Use a feeler gauge to remove swarf between the cradle and sill panel.

Installation instructions, accessories

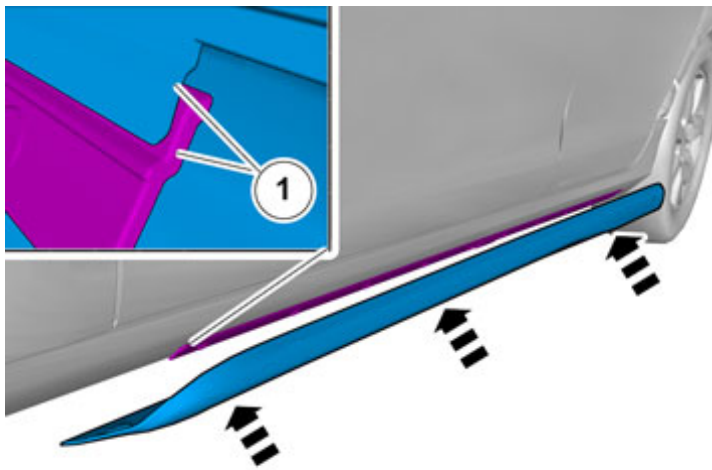
Volvo Car Corporation Gothenburg, Sweden

9



Rivet the cradle in all holes at the sill panel.
Break off the hooks along the cradle.

10A

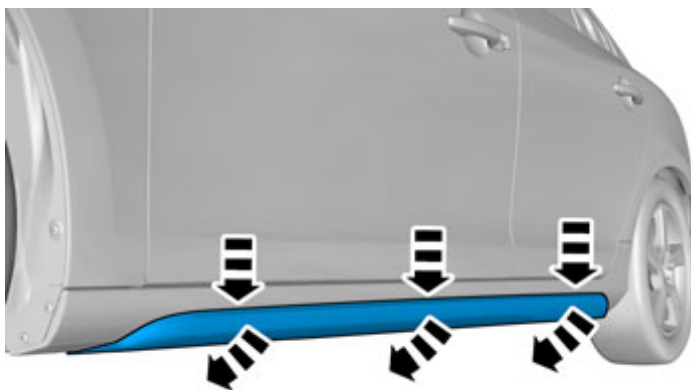


Illustrations A and B

Take the plate from the kit and hook it onto the cradles. Position as illustrated. The front cradle's front edge (1) and the plate's corresponding front edge (1) must be edge to edge with each other.

Push the panel as far into the cradles as possible.

10B

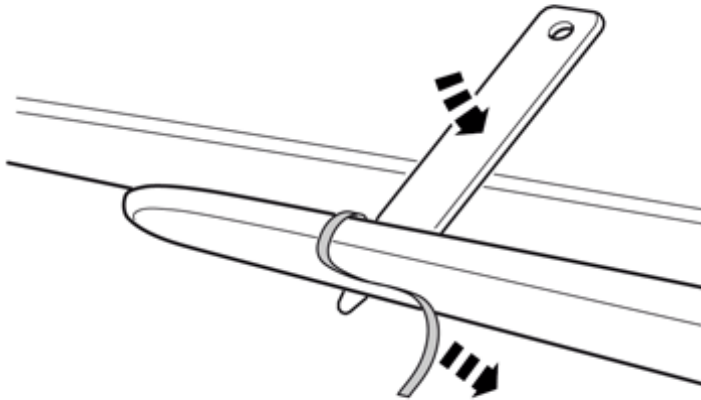


IMG-340408

Installation instructions, accessories

Volvo Car Corporation Gothenburg, Sweden

11



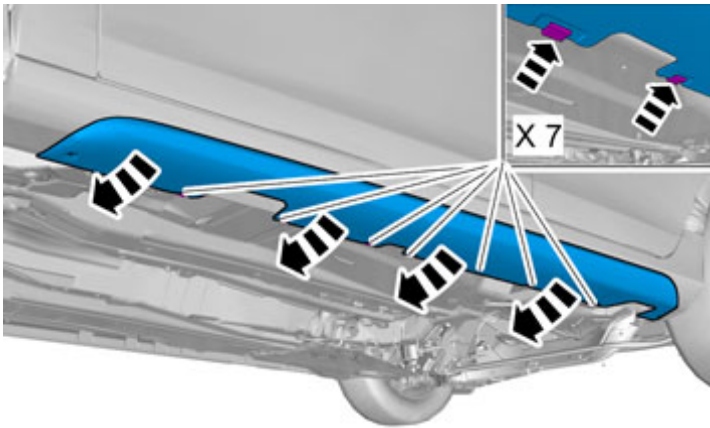
IMG-339869

First pull off the protective tape at the panel ends towards the middle.

Use a weatherstrip tool to carefully pry out the plate slightly when removing the protective tape. This is to prevent it from coming off.

Press the plate where the tape is attached.

12



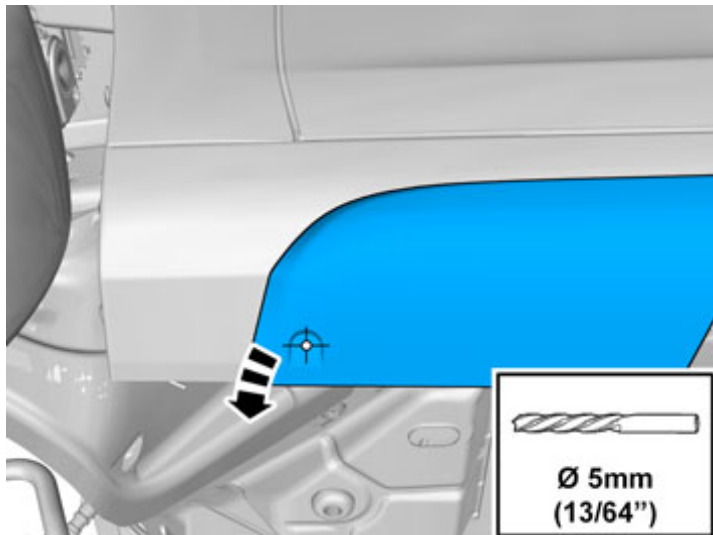
IMG-340460

Take seven clips from the kit and secure the plate's lower edge at the lower edge of the sill panel at the pre-marked locations. Start with the two inner clips and continue out towards the ends of the panel.

Installation instructions, accessories

Volvo Car Corporation Gothenburg, Sweden

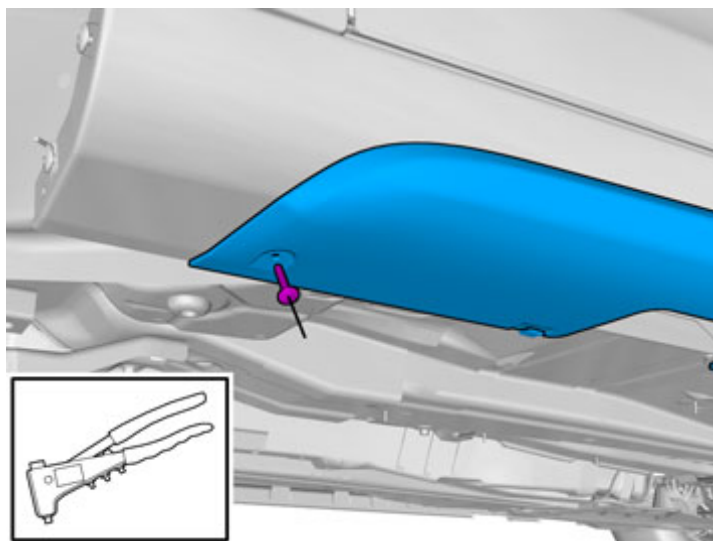
13



IMG-340402

Fold the front edge of the plate around the lower edge on the sill panel properly and drill out the hole in the sill panel using a 5 mm (13/64") drill bit.

14



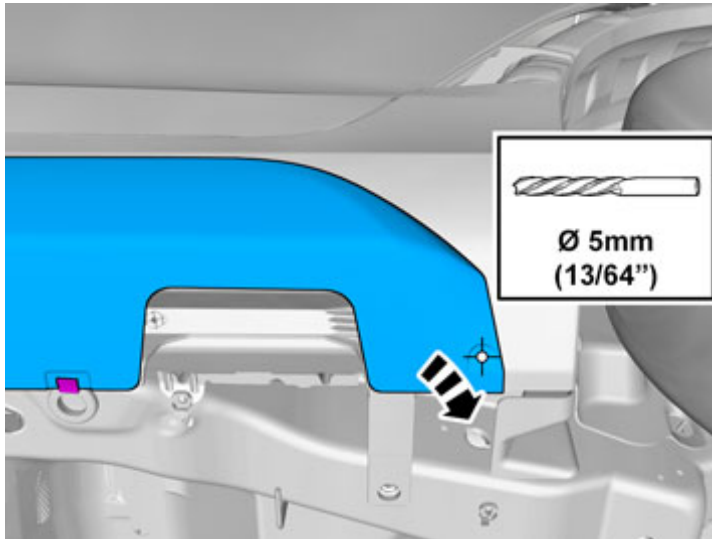
IMG-340461

Take pop rivets and rivet the plate's front end.

Installation instructions, accessories

Volvo Car Corporation Gothenburg, Sweden

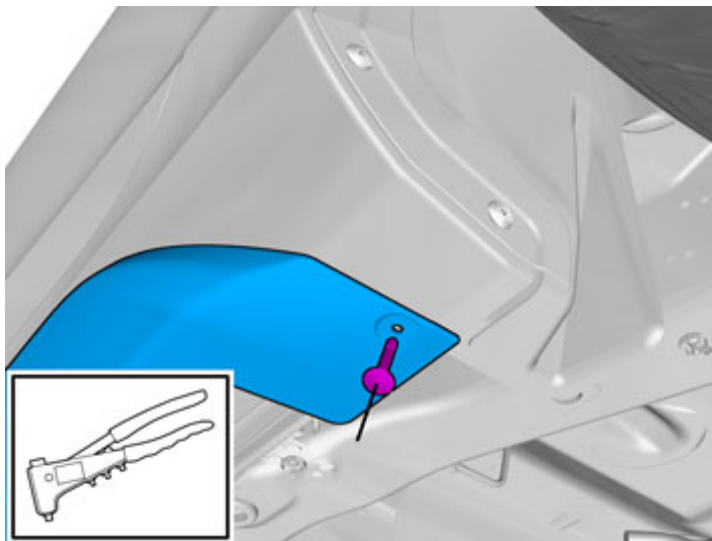
15



IMG-340401

Fold the rear edge of the plate around the lower edge on the sill panel properly and drill out the hole in the sill panel using a 5 mm (13/64") drill bit.

16



IMG-340405

Take pop rivets and rivet the plate's rear end.

Repeat the above for the other side.