

Installation instructions, accessories

Volvo Car Corporation Gothenburg, Sweden

Instruction No	Version	Part. No.
31351051	1.4	31351092, 30767568

Padded head restraint, integrated child seat, centre seat

Installation instructions, accessories

Volvo Car Corporation Gothenburg, Sweden

INTRODUCTION

Read through all of the instructions before starting installation.

Notifications and warning texts are for your safety and to minimise the risk of something breaking during installation.

Ensure that all tools stated in the instructions are available before starting installation.

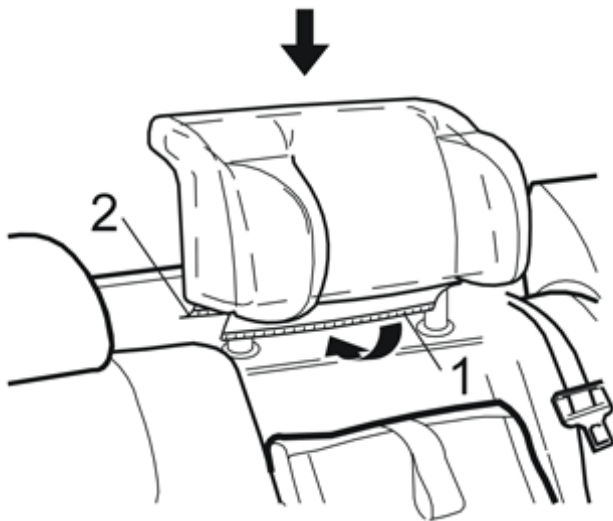
Certain steps in the instructions are only presented in the form of images. Explanatory text is also given for more complicated steps.

In the event of any problems with the instructions or the accessory, contact your local Volvo dealer.

Note!

The foam pads must be removed for washing. See washing instructions on the upholstery.

1



A8501219

Raise the head restraint.

Pull the padded upholstery over the head restraint.

Pull tab (1) under the rear side of tab (2) and press tab (2) so that the Velcro fasteners are affixed. It may be easier to pull the padded upholstery over from below and up, e.g. on the 850.

2

Adjust the head restraint so that it provides optimum protection for the child's head.