



Installation instructions, accessories

Volvo Car Corporation Gothenburg, Sweden

Instruction No	Version	Part. No.
31414626	1.0	31470889

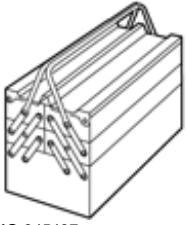
Child seat, mounting eyelets



Installation instructions, accessories

Volvo Car Corporation Gothenburg, Sweden

Equipment

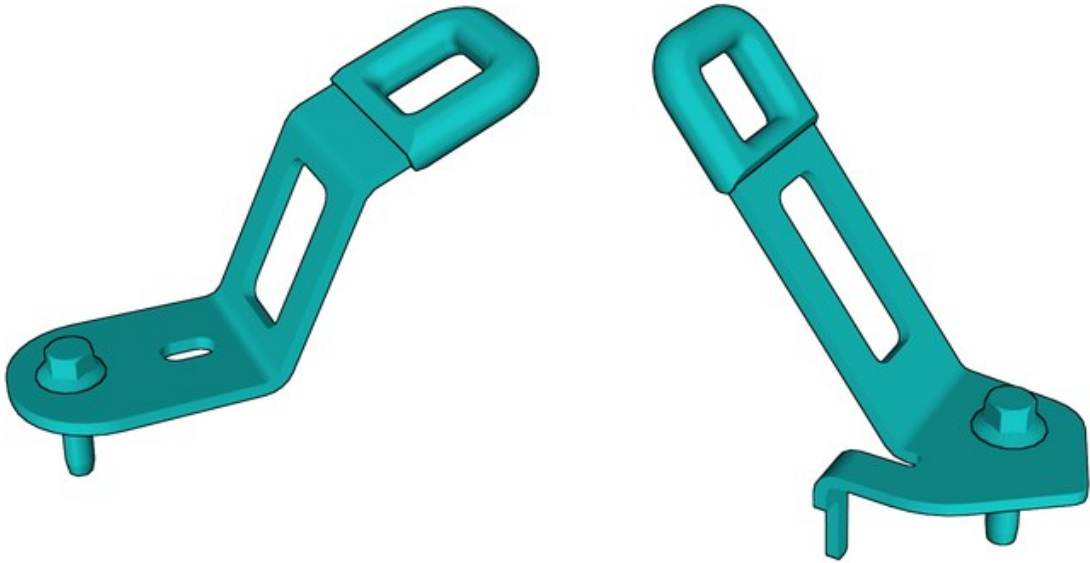


IMG-345497



IMG-239664

Nm
lbf.ft



IMG-450377



Installation instructions, accessories

Volvo Car Corporation Gothenburg, Sweden

Information

1

Read through all of the instructions before starting installation.

Notifications and warning texts are for your safety and to minimise the risk of something breaking during installation.

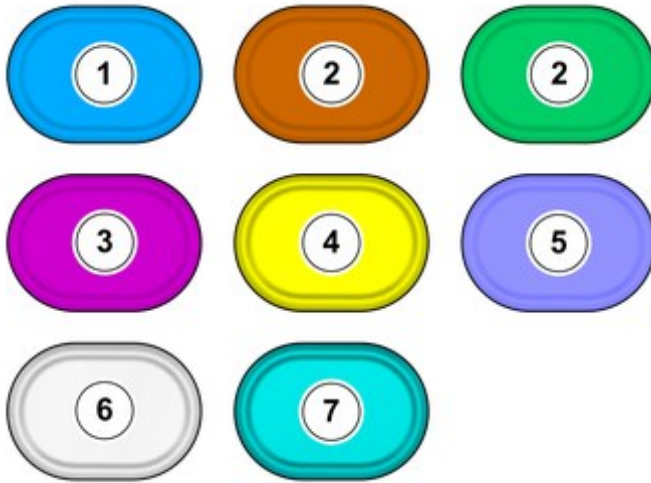
Ensure that all tools stated in the instructions are available before starting installation.

Certain steps in the instructions are only presented in the form of images. Explanatory text is also given for more complicated steps.

In the event of any problems with the instructions or the accessory, contact your local Volvo dealer.

Color symbols

2



IMG-400010

Note!

This colour chart displays (in colour print and electronic version) the importance of the different colours used in the images of the method steps.

1. Used for focused component, the component with which you will do something.
2. Used as extra colors when you need to show or differentiate additional parts.
3. Used for attachments that are to be removed/installed. May be screws, clips, connectors, etc.
4. Used when the component is not fully removed from the vehicle but only hung to the side.
5. Used for standard tools and special tools.
6. Used as background color for vehicle components.
7. Used for accessory components.

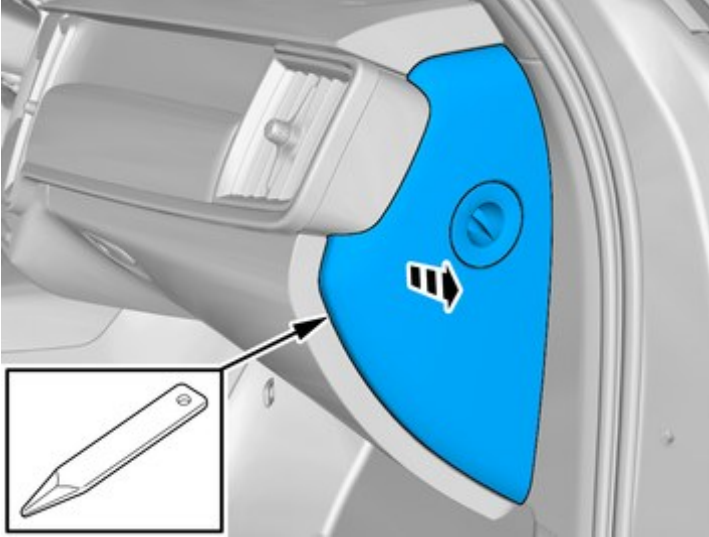
Removal



Installation instructions, accessories

Volvo Car Corporation Gothenburg, Sweden

3

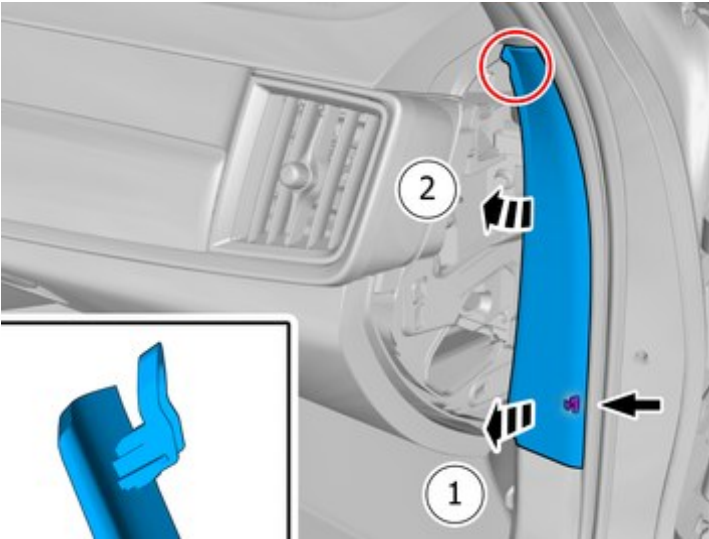


IMG-412242

Remove the panel.

Disconnect the connector.

4



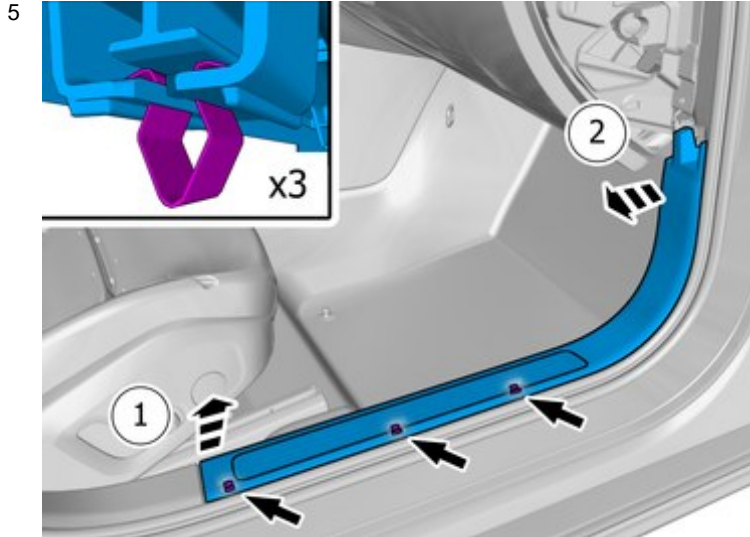
IMG-414575

Remove the panel.



Installation instructions, accessories

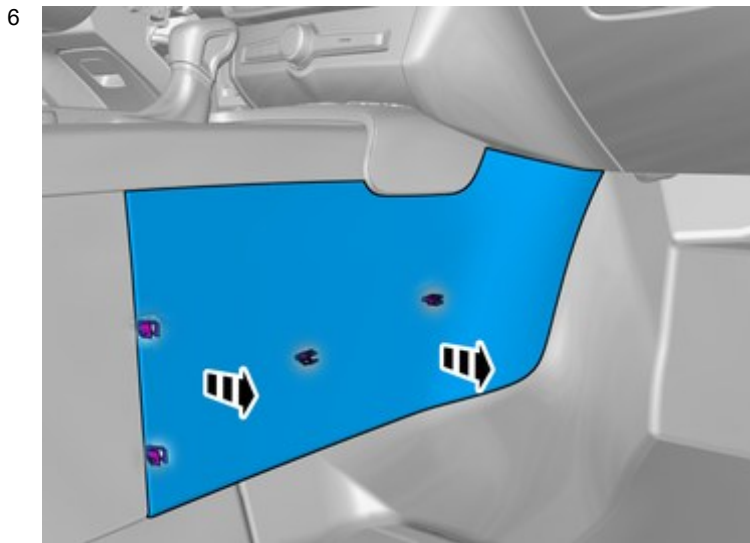
Volvo Car Corporation Gothenburg, Sweden



IMG-414580

Remove the panel.

Disconnect the connector, if applicable.



IMG-455950

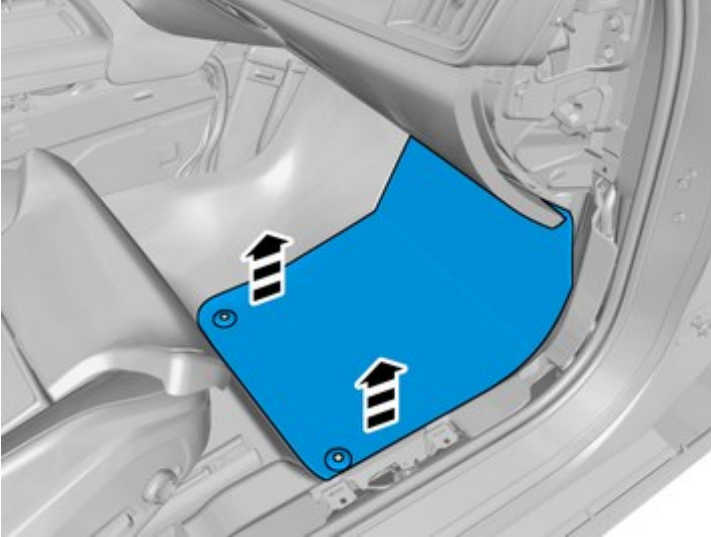
Remove the panel.



Installation instructions, accessories

Volvo Car Corporation Gothenburg, Sweden

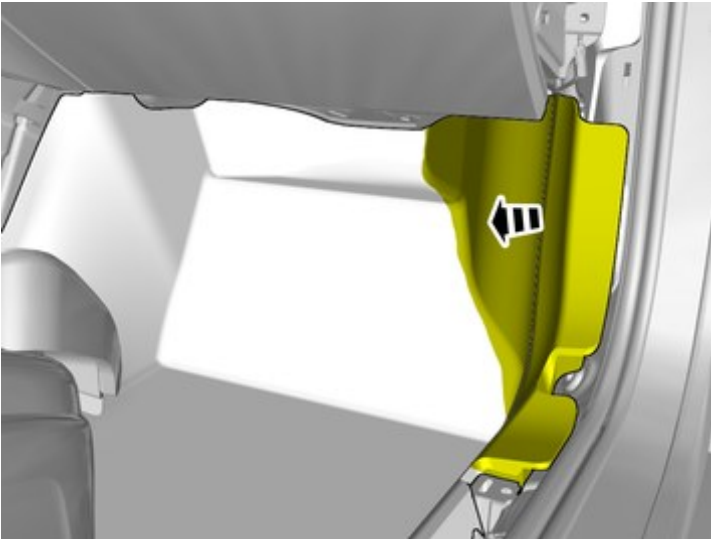
7



IMG-455958

Remove the marked part.

8



IMG-455984

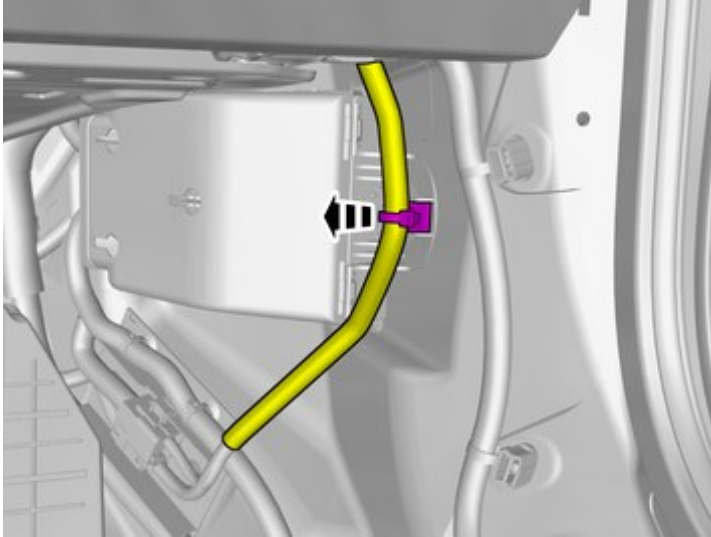
Fold the carpet aside.



Installation instructions, accessories

Volvo Car Corporation Gothenburg, Sweden

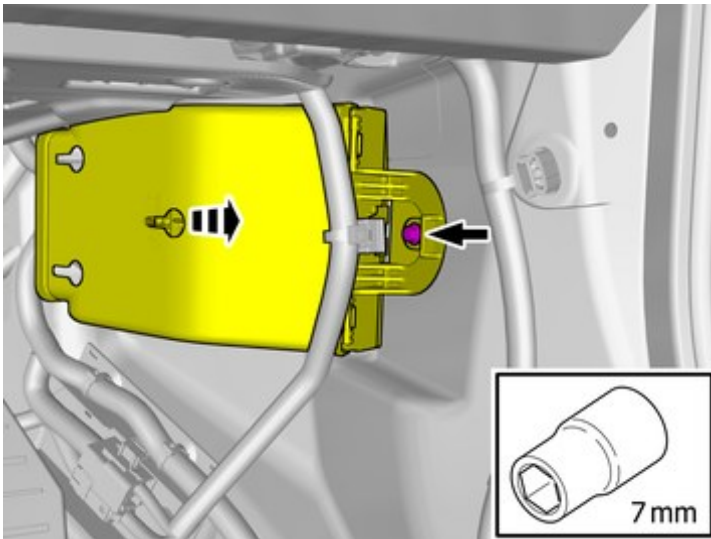
9



IMG-455985

Remove the cable harness clips.

10



IMG-455986

Remove the screw.

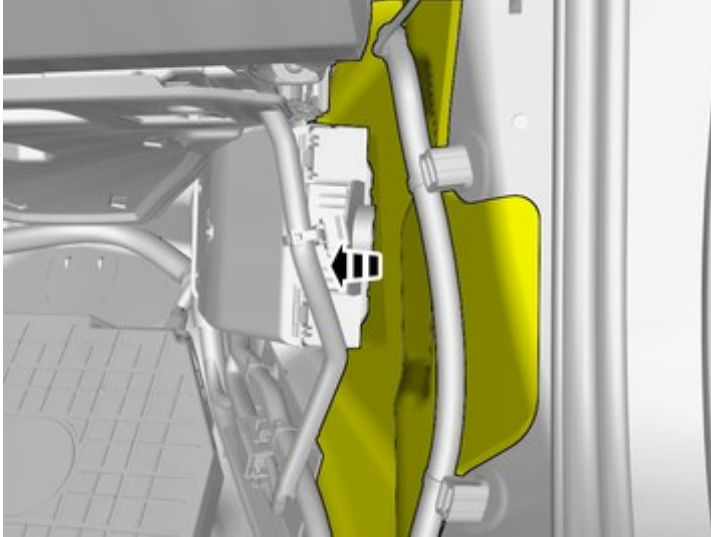
Loosen the component indicated. Do not remove it.



Installation instructions, accessories

Volvo Car Corporation Gothenburg, Sweden

11



IMG-455988

Fold the insulation aside.

12



IMG-455989

Remove the marked part.
Remove any traces of glue.

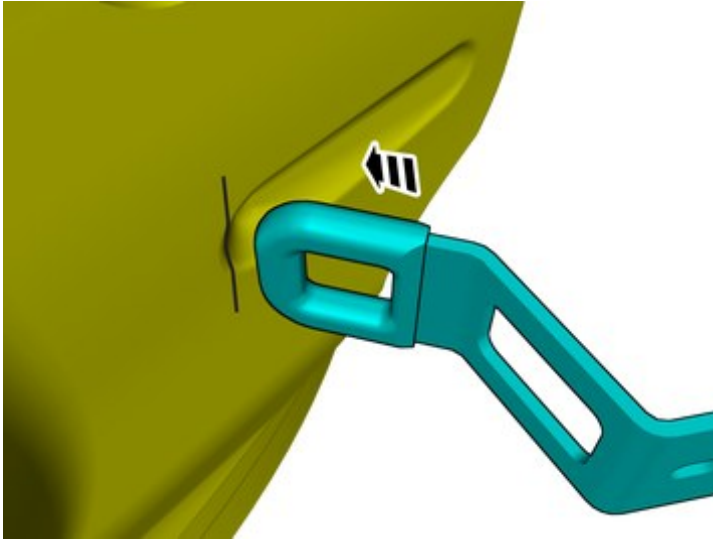
Accessory installation



Installation instructions, accessories

Volvo Car Corporation Gothenburg, Sweden

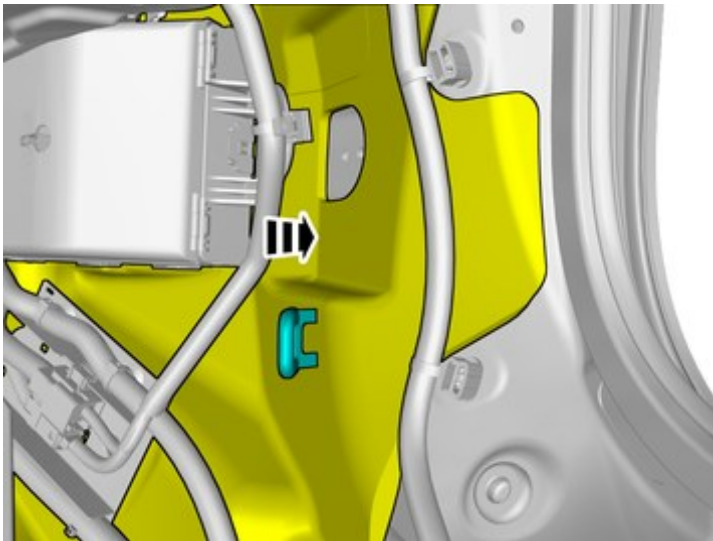
13



IMG-450401

Install component that comes with the accessory kit.

14



IMG-455990

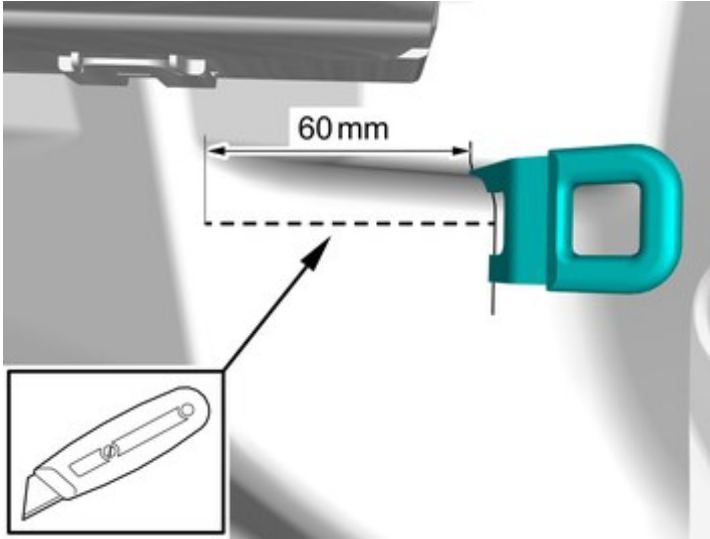
Refit the insulation.



Installation instructions, accessories

Volvo Car Corporation Gothenburg, Sweden

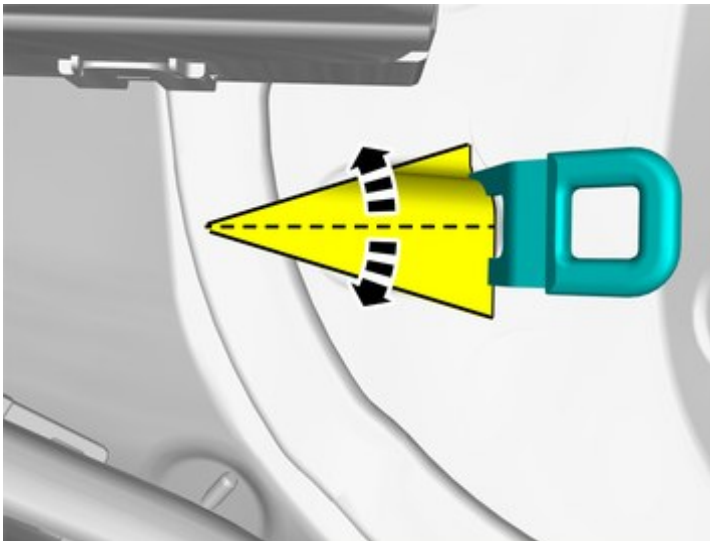
15



IMG-455982

Make a cut in the insulation.

16



IMG-450405

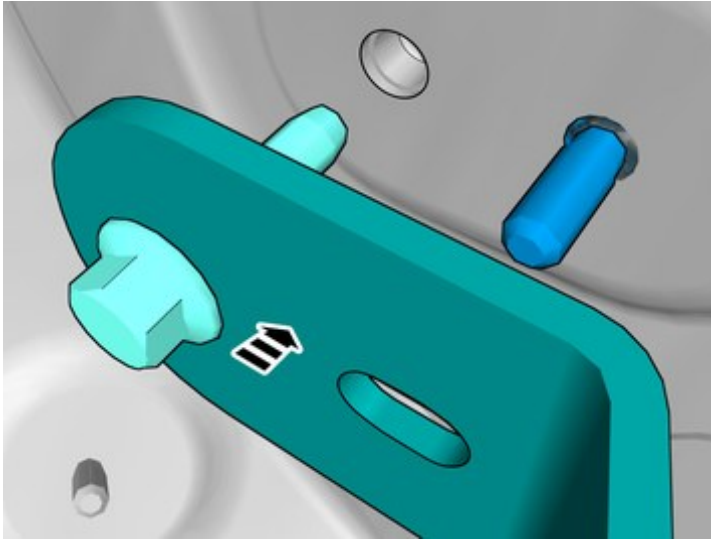
Fold the insulation aside.



Installation instructions, accessories

Volvo Car Corporation Gothenburg, Sweden

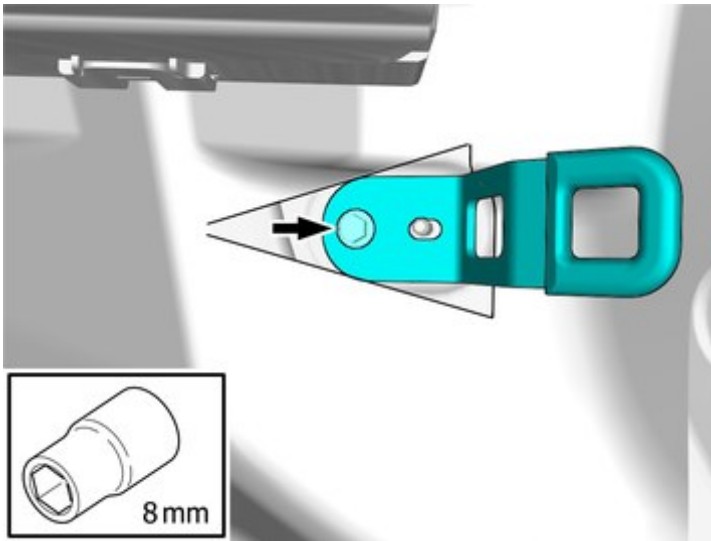
17



IMG-455980

Place the component where indicated in the graphic.

18



IMG-455981

Tighten the screw.

Tightening torque: Child seat mounting eyelet, outer , 7 Nm

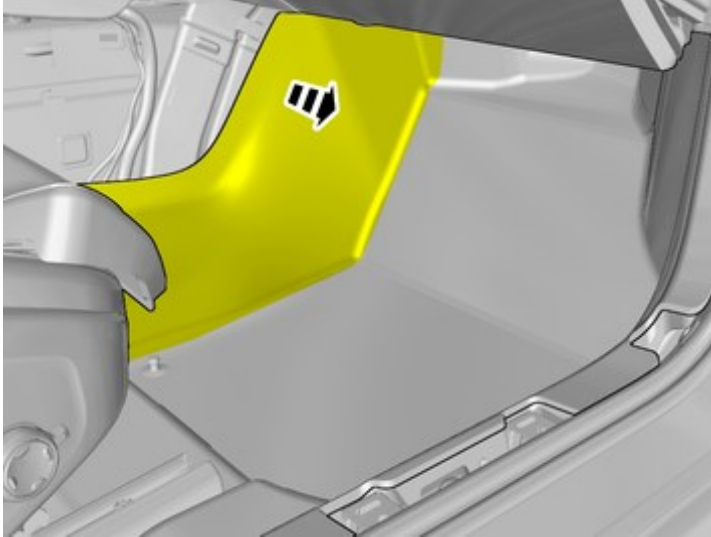
Removal



Installation instructions, accessories

Volvo Car Corporation Gothenburg, Sweden

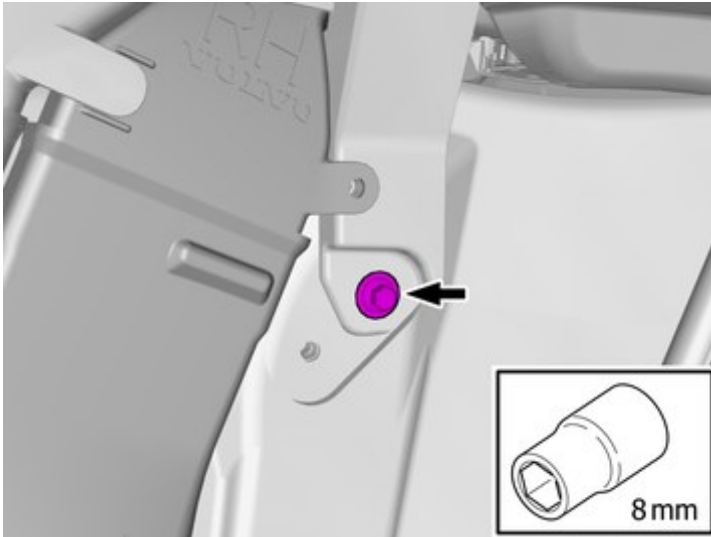
19



IMG-456003

Fold the carpet aside.

20



IMG-456014

Remove the screw.

The item is not to be reused.

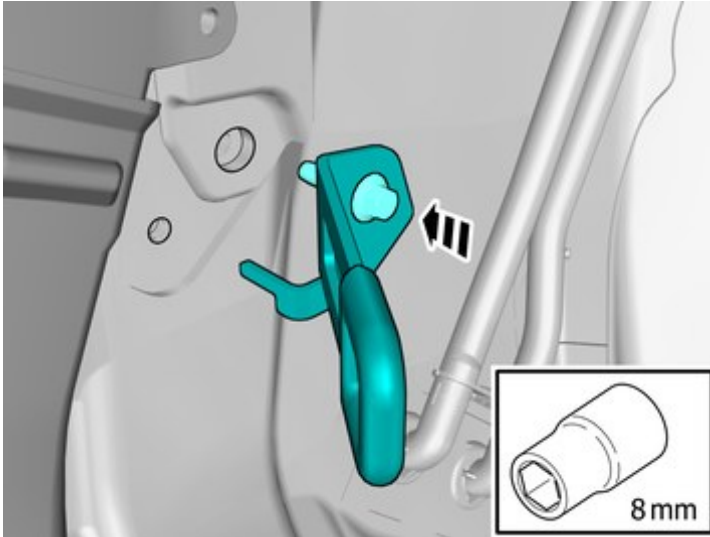
Accessory installation



Installation instructions, accessories

Volvo Car Corporation Gothenburg, Sweden

21



IMG-456015

Install component that comes with the accessory kit.

Tighten the screw.

Tightening torque: Child seat mounting eyelet, inner , 13 Nm

Installation

22

Reinstall the removed parts in reverse order.
