



# Installation instructions, accessories

Volvo Car Corporation Gothenburg, Sweden

**Instruction No**  
31324631

**Version**  
1.0

**Part. No.**  
31414859, 31373184

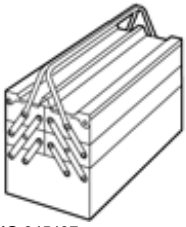
## Towbar, wiring, 13-pin



# Installation instructions, accessories

Volvo Car Corporation Gothenburg, Sweden

## Equipment

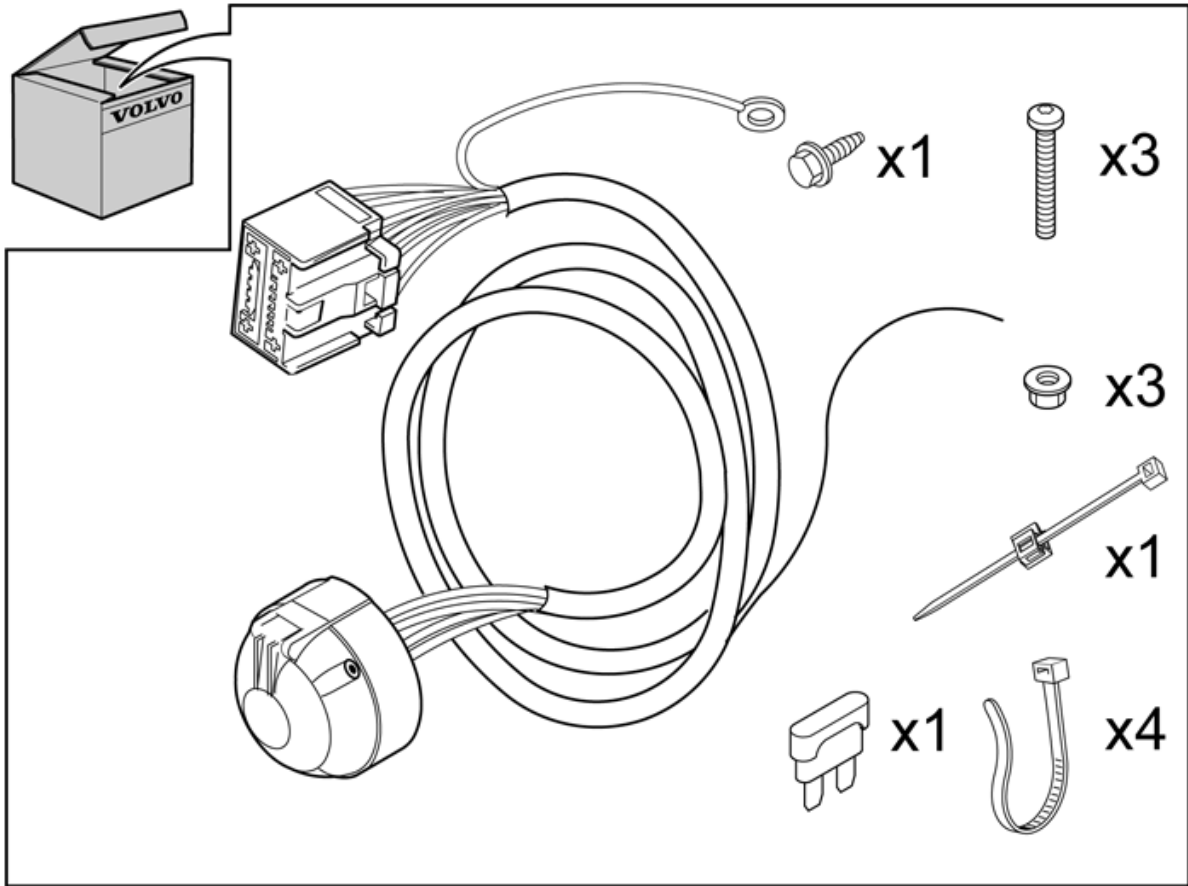


IMG-345497



IMG-239664

Nm  
lbf.ft



IMG-348782



# Installation instructions, accessories

Volvo Car Corporation Gothenburg, Sweden

## INTRODUCTION

Read through all of the instructions before starting installation.

Notifications and warning texts are for your safety and to minimise the risk of something breaking during installation.

Ensure that all tools stated in the instructions are available before starting installation.

Certain steps in the instructions are only presented in the form of images. Explanatory text is also given for more complicated steps.

In the event of any problems with the instructions or the accessory, contact your local Volvo dealer.

1



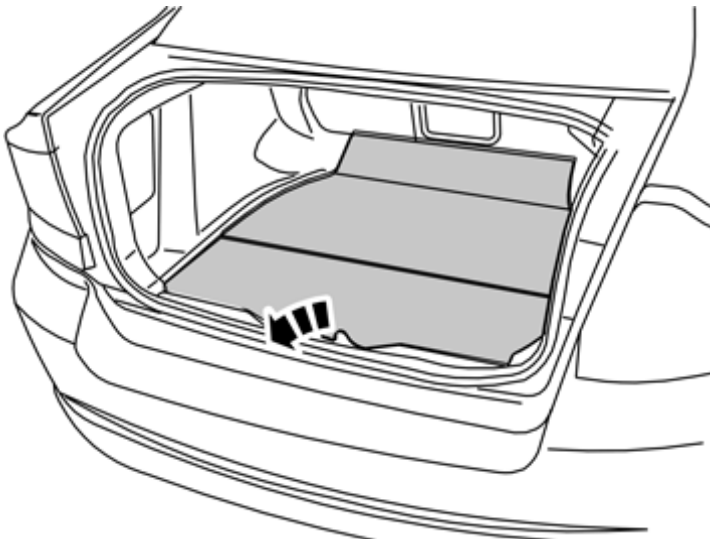
Set the ignition key to position **0**.

### Note!

Wait at least one minute before unplugging the connectors or removing other electrical equipment.

IMG-245980

2



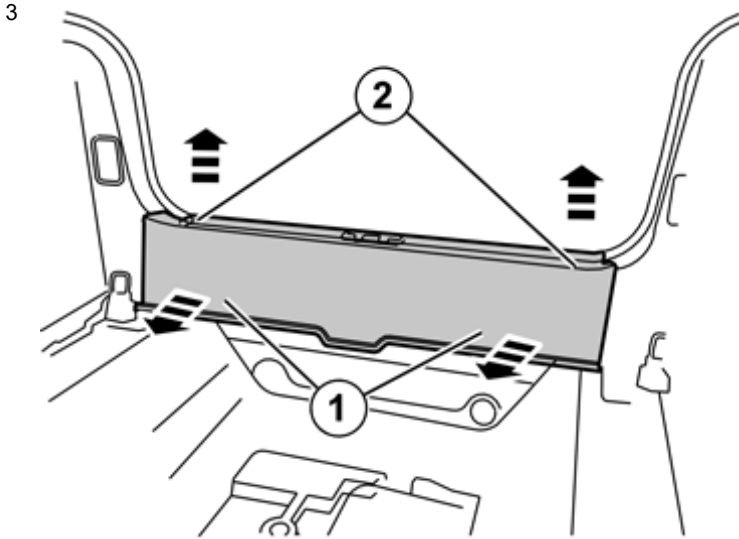
Lift out the cargo compartment carpet.

IMG-226720



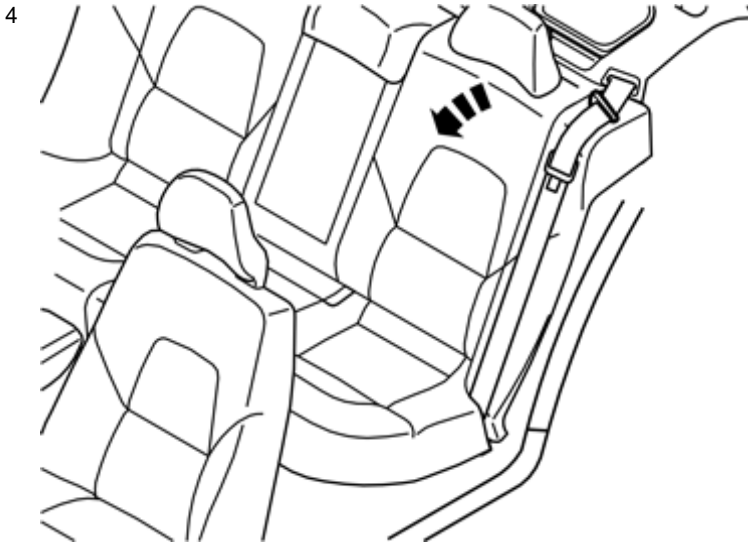
# Installation instructions, accessories

Volvo Car Corporation Gothenburg, Sweden



Remove the sill trim panel by first pulling it forward until the two clips in the front edge release. Then pull it upward until the two clips in the top edge release.

IMG-226722



Fold the left-hand rear seat backrest forward.

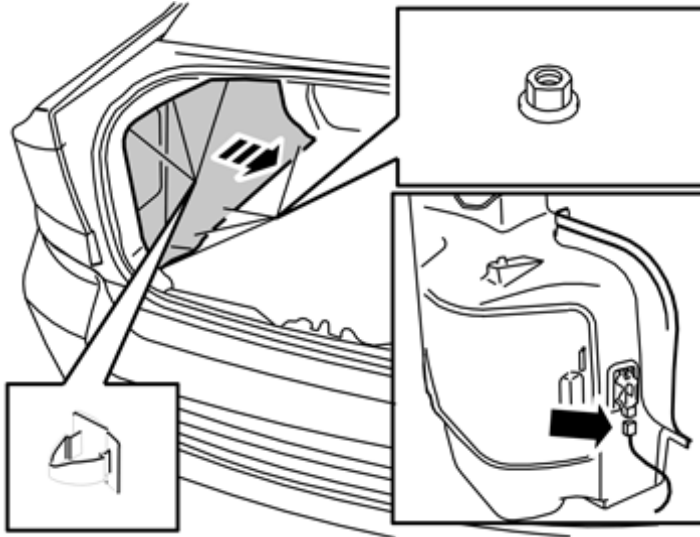
IMG-226723



# Installation instructions, accessories

Volvo Car Corporation Gothenburg, Sweden

5

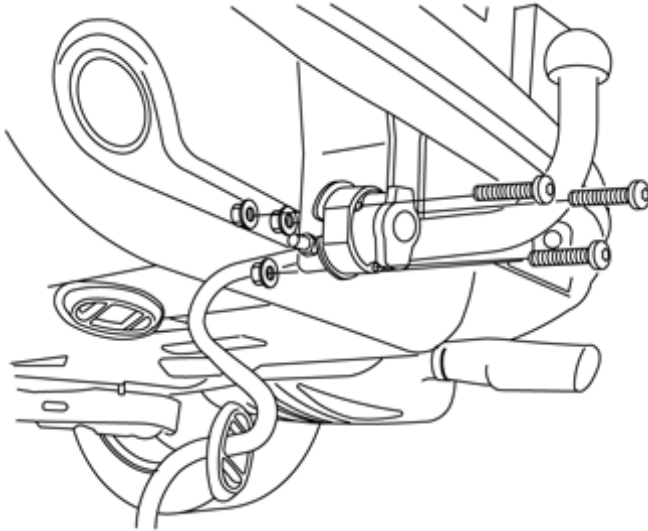


IMG-226724

## Remove:

- the three clips in the top edge of the side panel
  - the four plastic nuts in the lower edge of the side panel
  - the connector to the cargo compartment lighting.
- Lift out the side panel.

6



IMG-264523

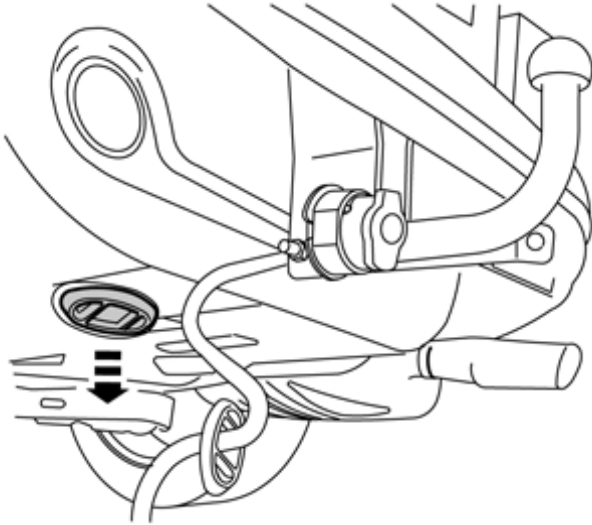
- Take three screws and nuts from the kit and install the connector in the bracket.



# Installation instructions, accessories

Volvo Car Corporation Gothenburg, Sweden

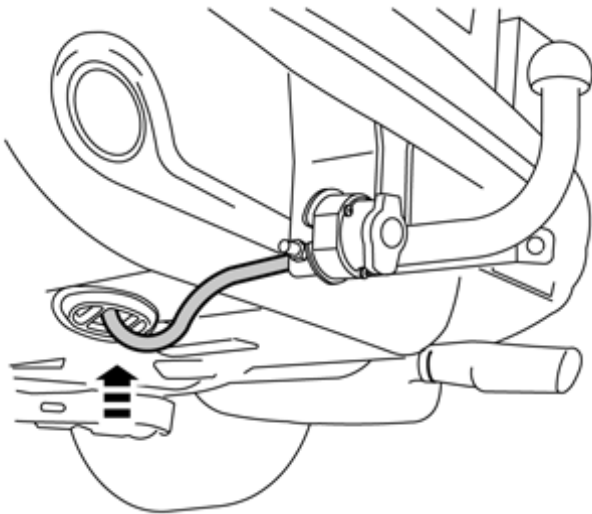
7



IMG-264524

Remove the rubber grommet in the floor and place it to one side, it shall not be used again.

8



IMG-264525

Insert the cable with the connector into the hole in the spare wheel well and install the rubber grommet.

**Note!**

Install the rubber grommet so that the cable points to the left on the inside.

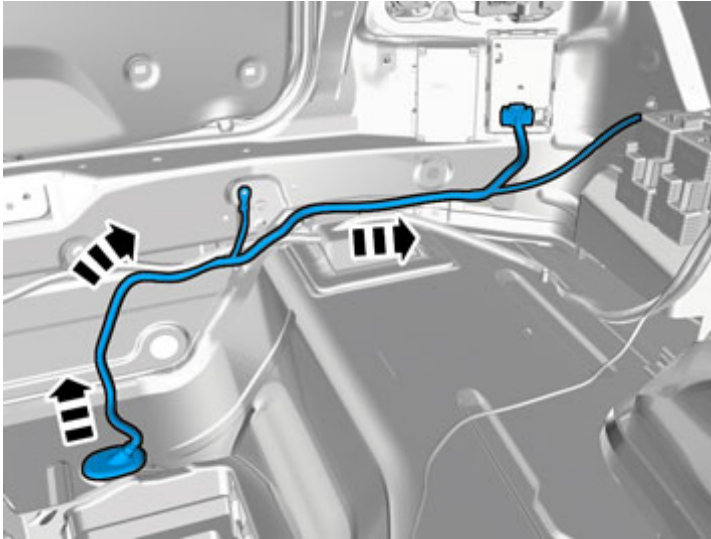
Adapt the length of the cable from the connector to the rubber grommet so that the cable is not too slack beneath the car.



# Installation instructions, accessories

Volvo Car Corporation Gothenburg, Sweden

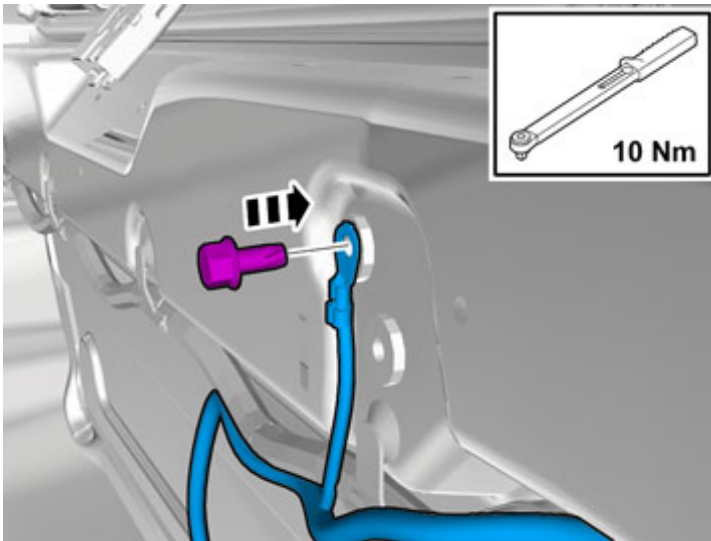
9



IMG-361356

Route the wiring following the existing cable harness in the car.

10



IMG-361391

Take the ground screw from the kit and secure the ground lead to the ground terminal in the rear crossmember.

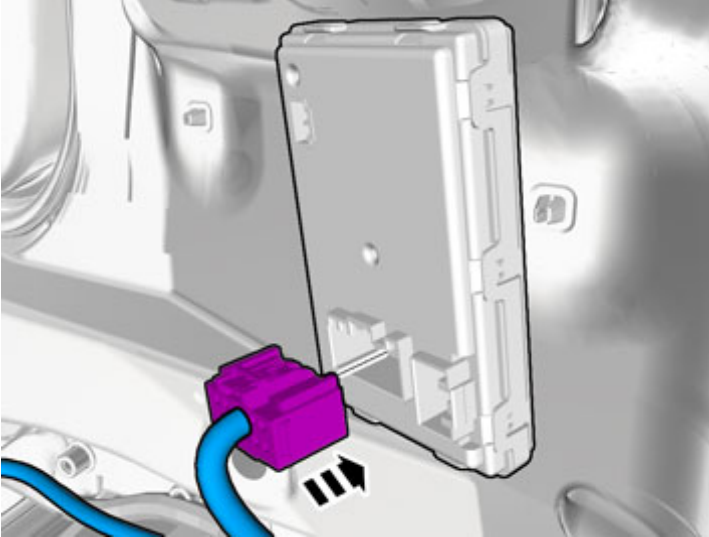
Torque tighten the screw, tightening torque: **10 Nm (7.5 lbf.ft.)**.



# Installation instructions, accessories

Volvo Car Corporation Gothenburg, Sweden

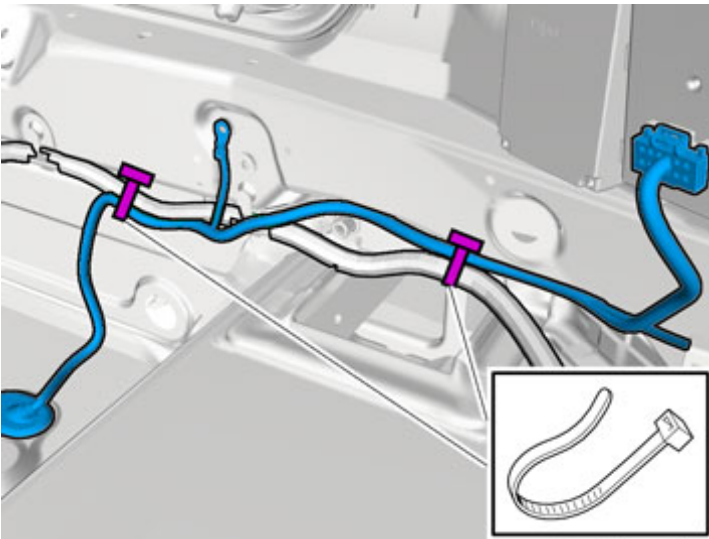
11



IMG-361392

Plug the green connector into the Trailer Module (TRM).

12



IMG-361386

Clamp up the cable harness at the existing cable harness using two tie straps from the kit.

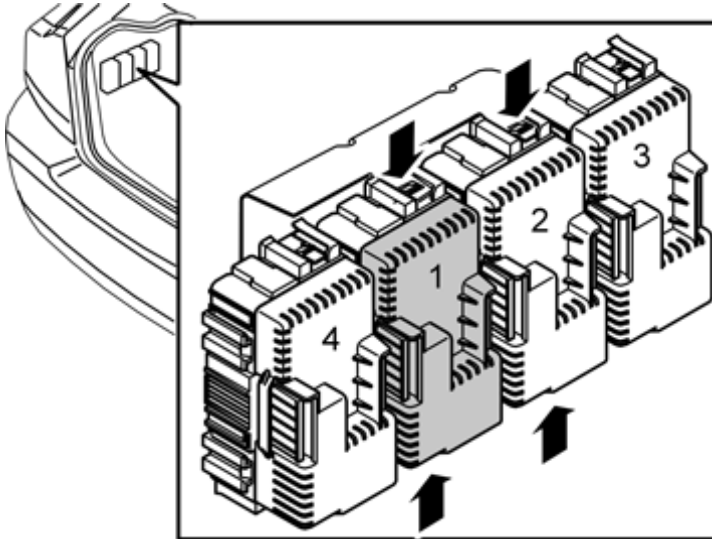




# Installation instructions, accessories

Volvo Car Corporation Gothenburg, Sweden

13



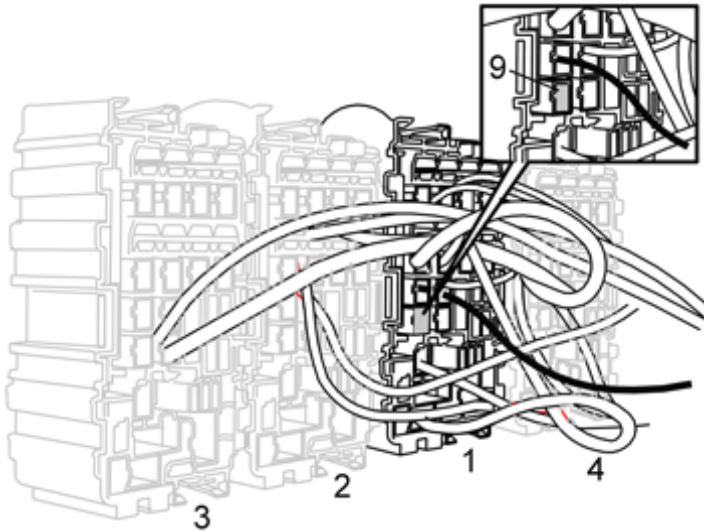
IMG-227573

**Applies to vehicles with Chassis number up to and including -122408**

Remove the fuse holder in the cargo compartment. First press down the locking catches with a small screwdriver on the top and bottom, and then pull it out.

Remove the cover on module 1. The cable must be connected and the fuse installed in fuse module 1, which has a black cover. Some vehicles are not equipped with module 3 and 4, but the connection must always be made in the module with a black cover.

14



IMG-227609

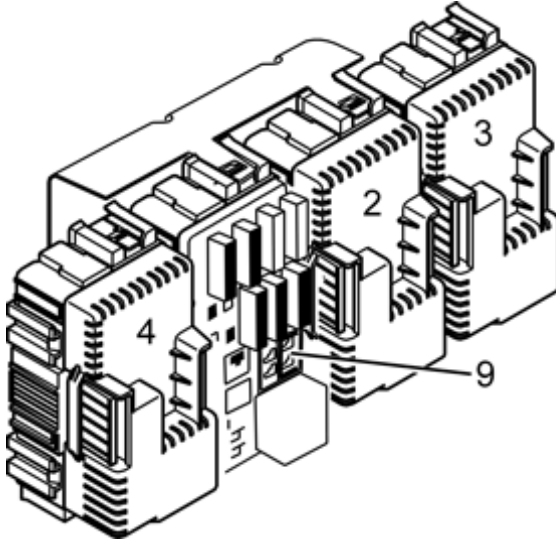
Connect the orange (OR) cable on the rear of fuse module 1, to fuse position 9 in the vacant socket.



# Installation instructions, accessories

Volvo Car Corporation Gothenburg, Sweden

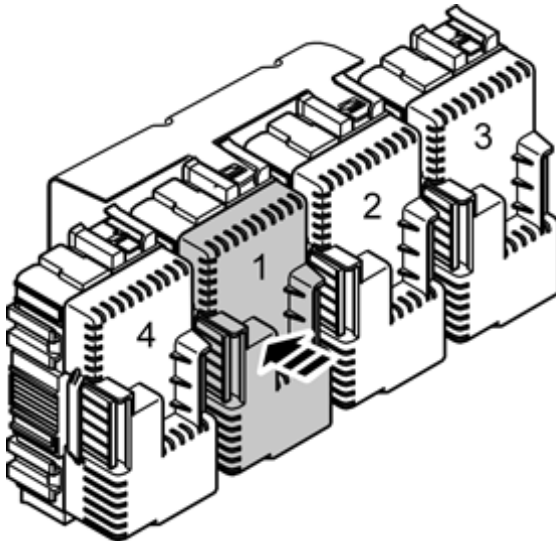
15



IMG-227610

Take a 15A fuse from the kit and install it in position 9 in fuse module 1.

16



IMG-227612

Reinstall the fuse holders.

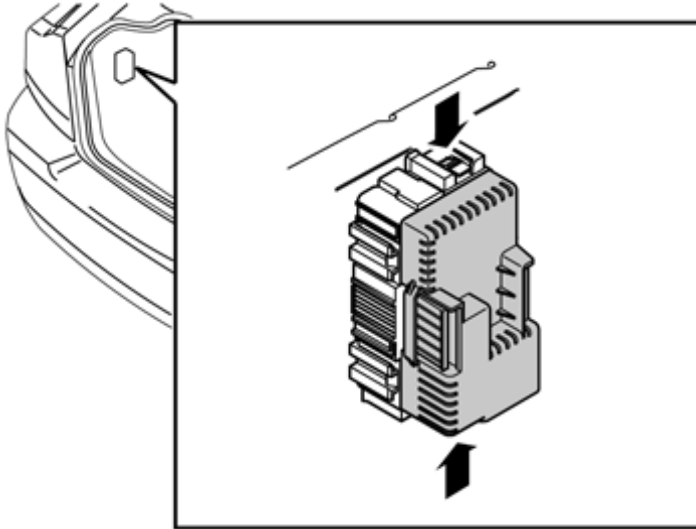
Reinstall the cover.



# Installation instructions, accessories

Volvo Car Corporation Gothenburg, Sweden

17



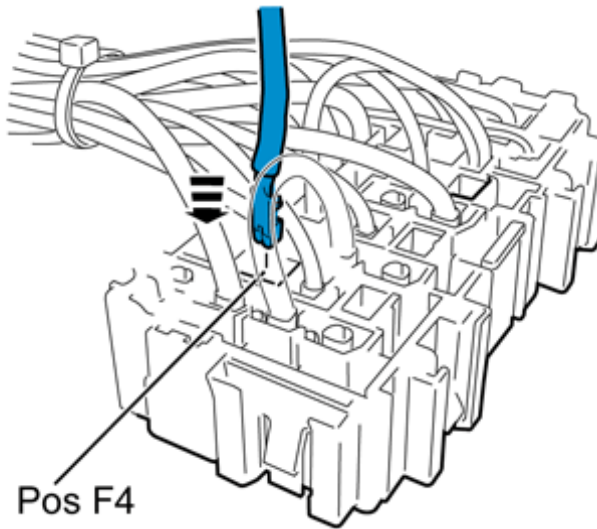
IMG-338951

**Applies to vehicles with Chassis number from and including 122409-**

Remove the fuse holder in the cargo compartment. First press down the locking catches with a small screwdriver on the top and bottom, and then pull it out.

Remove the cover.

18



IMG-334293

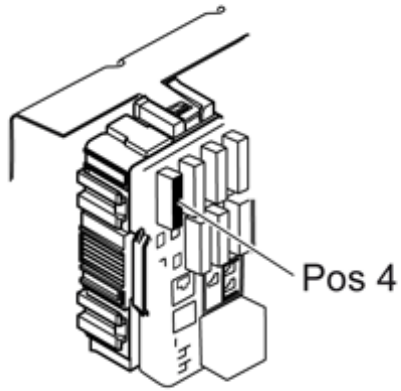
Connect the orange (OR) cable on the rear of the fuse module, to fuse position 4 in the vacant socket.



# Installation instructions, accessories

Volvo Car Corporation Gothenburg, Sweden

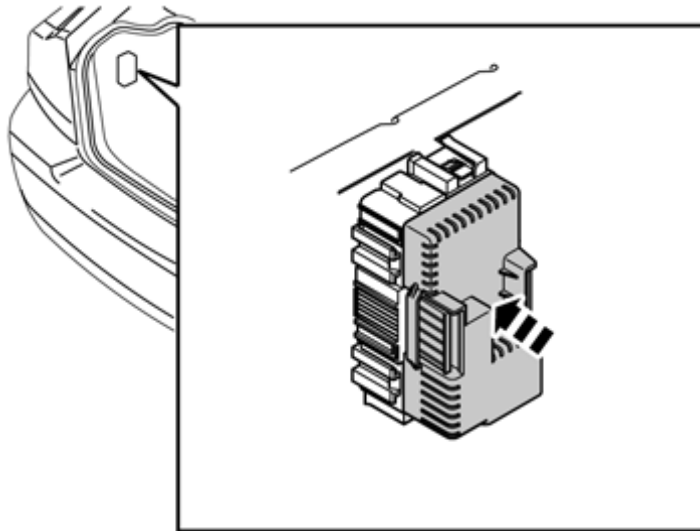
19



Take a 15A fuse from the kit and install it in position **4** in fuse module.

IMG-334294

20



Reinstall the fuse holders.

Reinstall the cover.

IMG-338954



21



IMG-348017

## Applies to all models

### Note!

For correct function, the trailer module (TRM) must be programmed with software before checks can be carried out.

Checking the 13 pin connector.

### Note!

To activate the trailer module (TRM) at least two light sources (lamps) must be connected. This can be done by connecting test equipment for the trailer connector or a trailer.

### Position - Function

1. Left-hand indicator
2. Rear fog lamps
3. Ground terminal
4. Right-hand indicator
5. Right parking lamps
6. Brake lamp
7. Left parking lamps
8. Reversing lamp
9. Battery voltage, constant
10. Battery voltage, ignition on
11. Ground terminal
12. Not connected.
13. Ground terminal

22

Reinstall the detached components in reverse order.