



Installation instructions, accessories

Volvo Car Corporation Gothenburg, Sweden

Instruction No	Version	Part. No.
31339704	1.1	31339699

Load compartment grille, steel



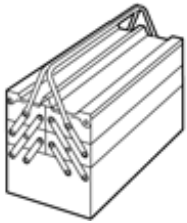
Installation instructions, accessories

Volvo Car Corporation Gothenburg, Sweden

Special tools

951 2782 Rivet nut tool
Tool number:951 2782
Tool description:Rivet nut tool
Tool boards:08

Equipment



IMG-345497



IMG-239660

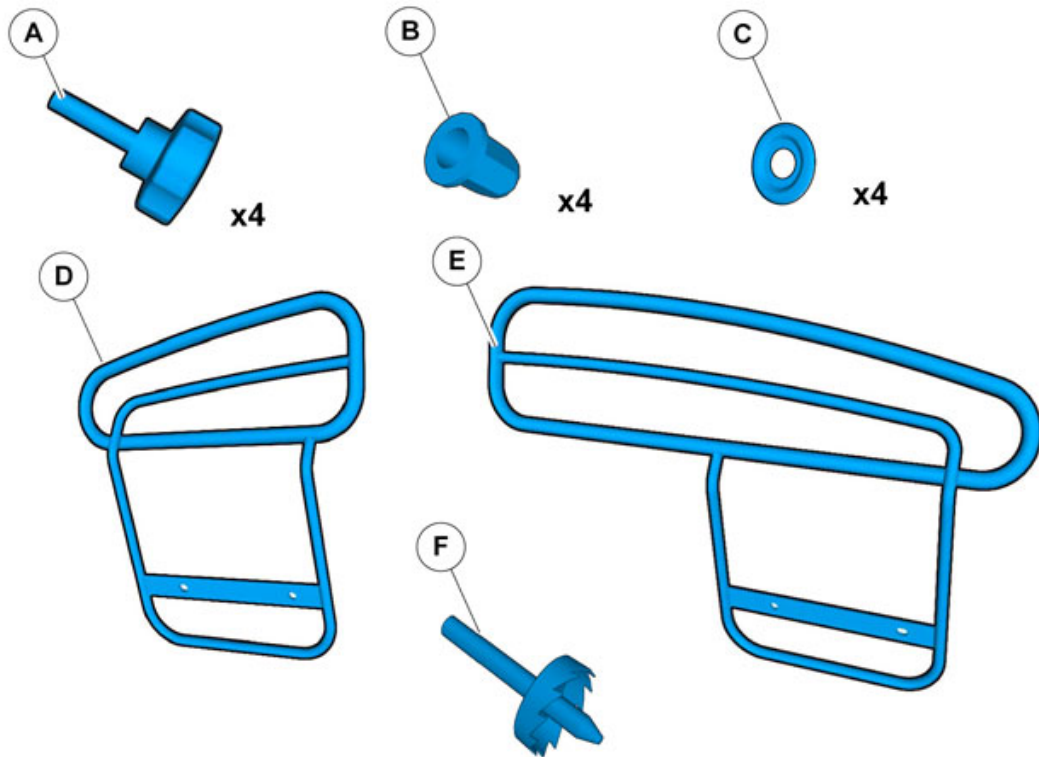


IMG-351622

VOLVO
9512782



IMG-239981



IMG-362403



Installation instructions, accessories

Volvo Car Corporation Gothenburg, Sweden

Information

1

Read through all of the instructions before starting installation.

Notifications and warning texts are for your safety and to minimise the risk of something breaking during installation.

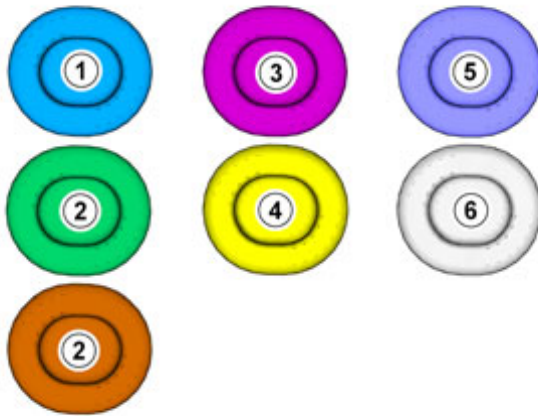
Ensure that all tools stated in the instructions are available before starting installation.

Certain steps in the instructions are only presented in the form of images. Explanatory text is also given for more complicated steps.

In the event of any problems with the instructions or the accessory, contact your local Volvo dealer.

Color symbols

2



Note!

This colour chart displays (in colour print and electronic version) the importance of the different colours used in the images of the method steps.

1. Used for focused component, the component with which you will do something.
2. Used as extra colors when you need to show or differentiate additional parts.
3. Used for attachments that are to be removed/installed. May be screws, clips, connectors, etc.
4. Used when the component is not fully removed from the vehicle but only hung to the side.
5. Used for standard tools and special tools.
6. Used as background color for vehicle components.

IMG-363036

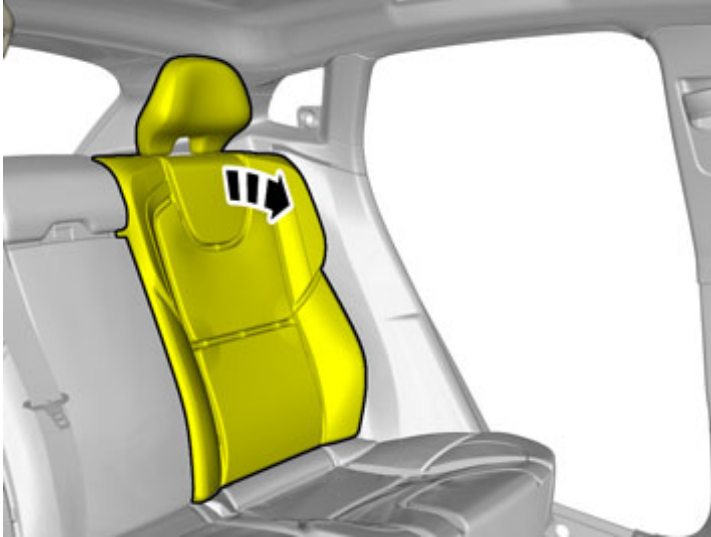
Removal



Installation instructions, accessories

Volvo Car Corporation Gothenburg, Sweden

3

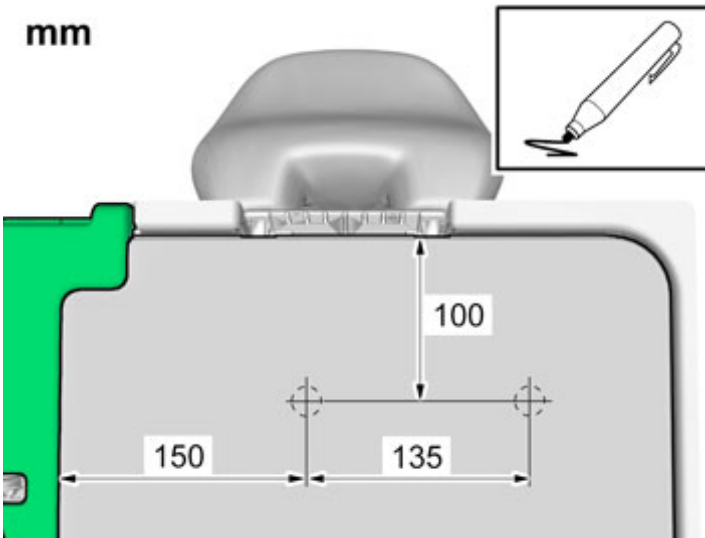


IMG-362454

Accessory installation

4

mm



IMG-362448

Measure and mark as illustrated.

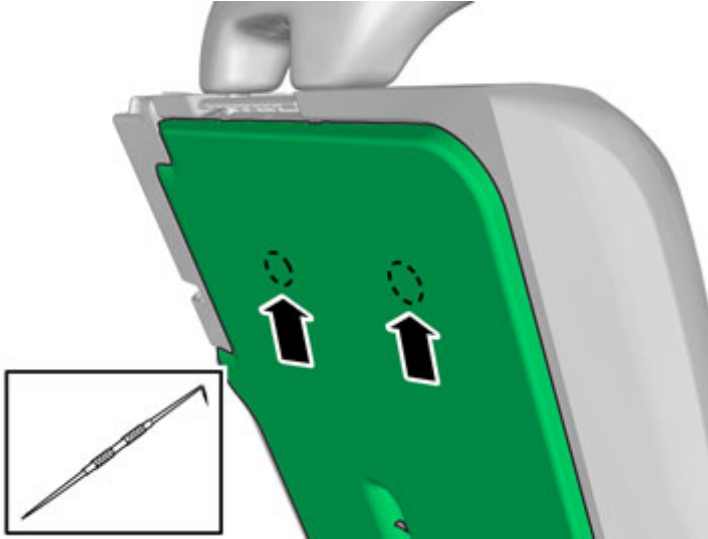


Installation instructions, accessories

Volvo Car Corporation Gothenburg, Sweden

5

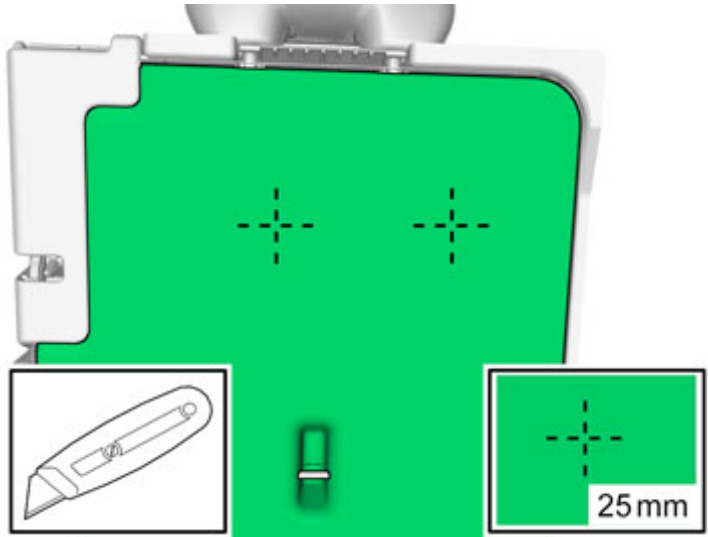
Locate the existing holes under the upholstery.



IMG-366537

6

Make a cut in the mat.



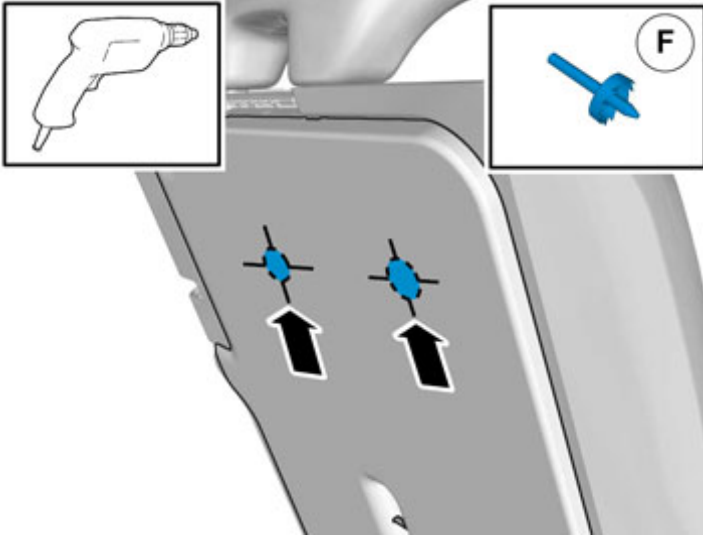
IMG-382592



Installation instructions, accessories

Volvo Car Corporation Gothenburg, Sweden

7

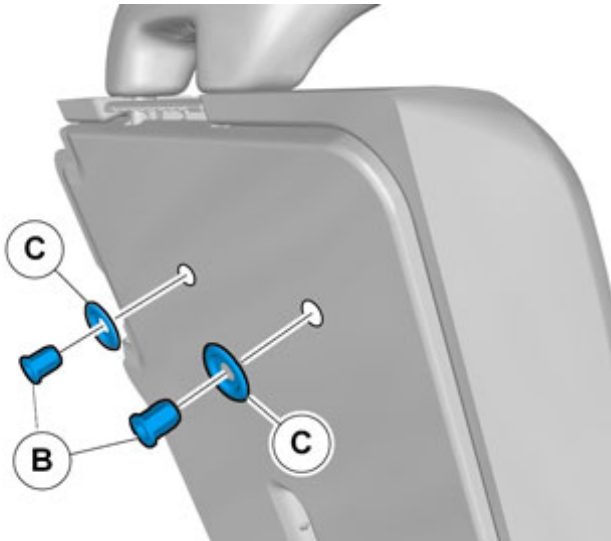


Use the tool provided to cut hole.

Drill first layer only

IMG-362461

8



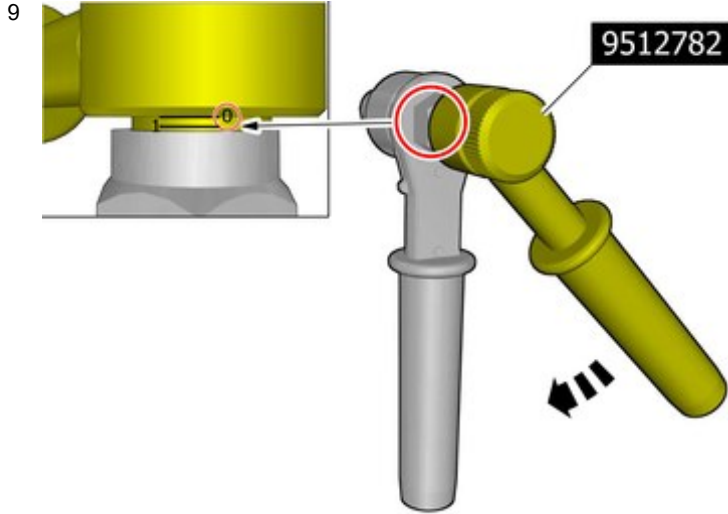
Note!
Orientation view

IMG-362466



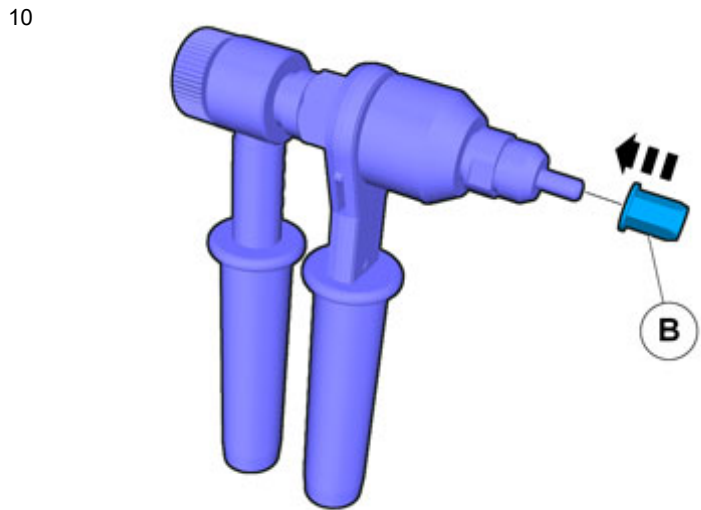
Installation instructions, accessories

Volvo Car Corporation Gothenburg, Sweden



Use special tool: T9512782, Rivet nut tool
Adjust to the specified value.

IMG-372305



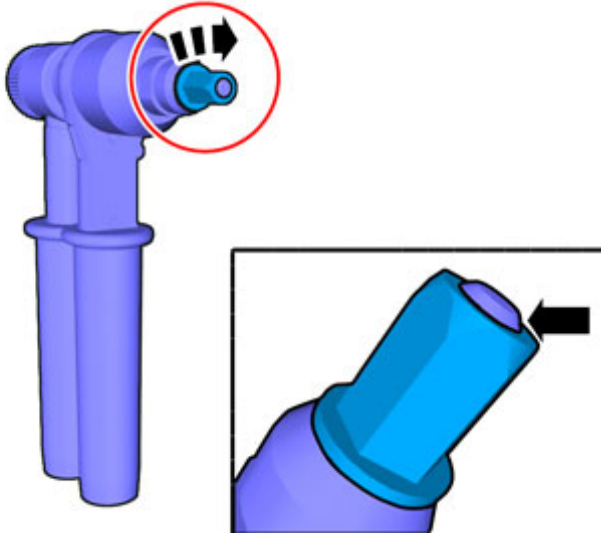
IMG-367096



Installation instructions, accessories

Volvo Car Corporation Gothenburg, Sweden

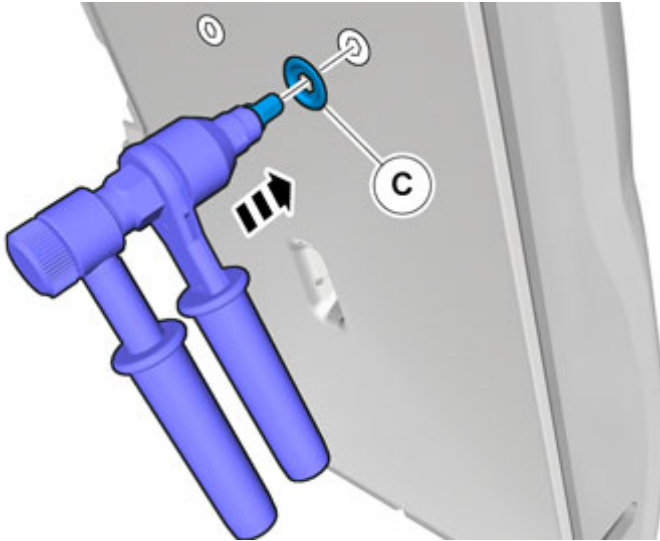
11



The outermost thread of the tool should be flush with the rivet nut end.

IMG-367098

12



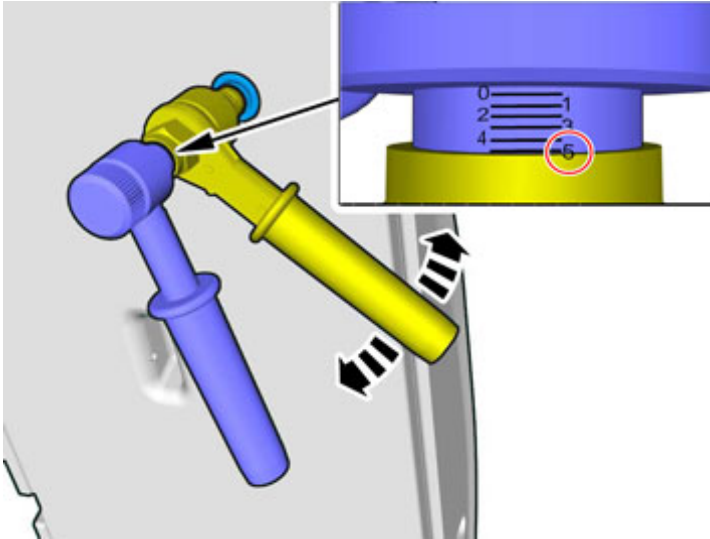
IMG-367139



Installation instructions, accessories

Volvo Car Corporation Gothenburg, Sweden

13

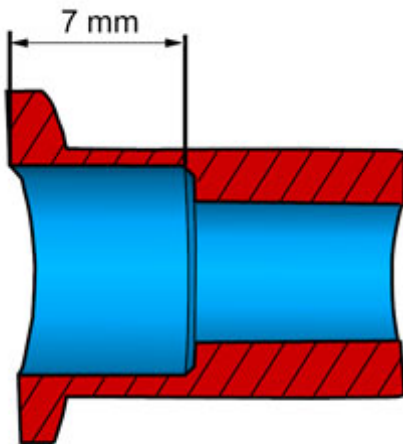


IMG-367307

Press the tool against the surface.
Hold the tool at right angles to the surface.
Tighten to the value stated.

Check

14



IMG-367354



Measure
Use: Vernier caliper

Accessory installation

15

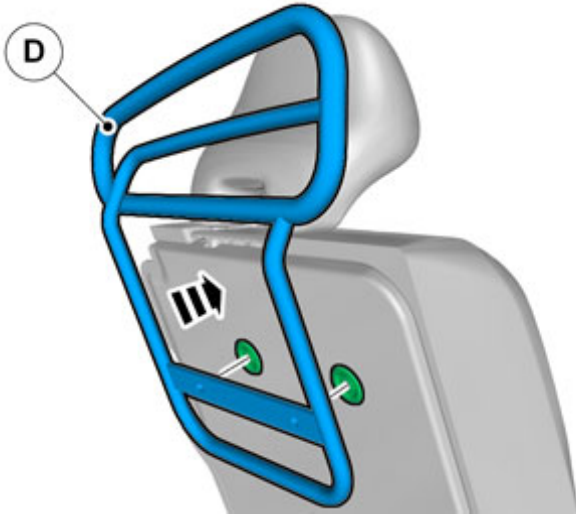
Install rivet nut in the other location.



Installation instructions, accessories

Volvo Car Corporation Gothenburg, Sweden

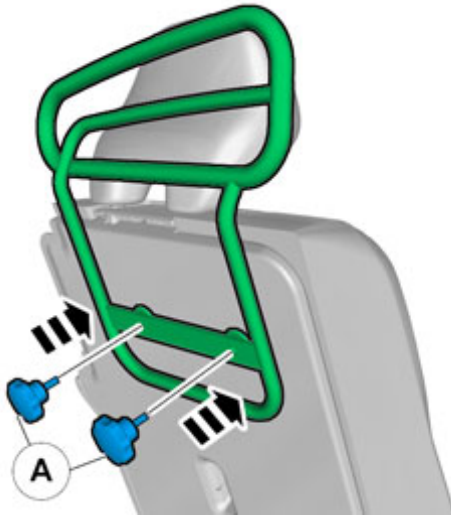
16



IMG-362481

17

Install the screws.



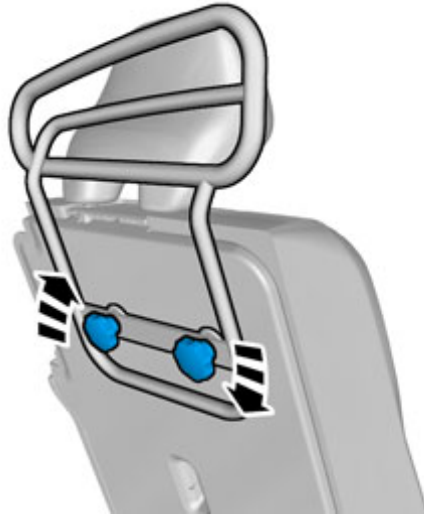
IMG-362483



Installation instructions, accessories

Volvo Car Corporation Gothenburg, Sweden

18



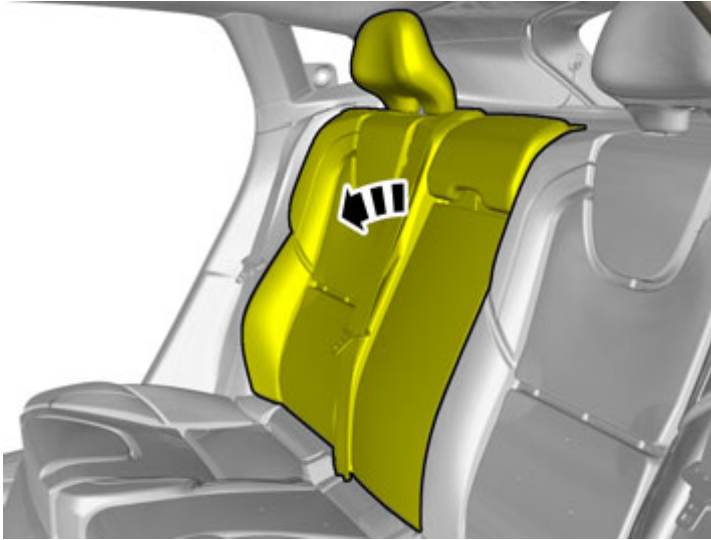
IMG-362484

Note!
Only use moderate force.

Tighten the bolts.

Removal

19



IMG-355927

Accessory installation

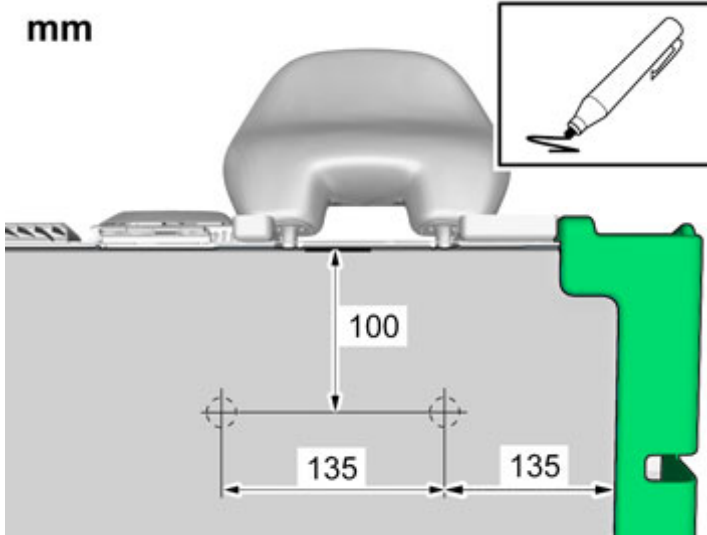


Installation instructions, accessories

Volvo Car Corporation Gothenburg, Sweden

20

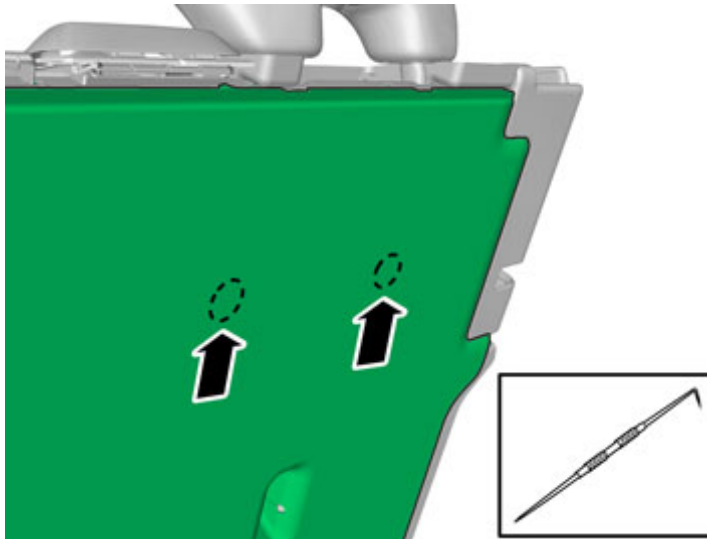
mm



Measure and mark as illustrated.

IMG-362447

21



Locate the existing holes under the upholstery.

IMG-366542

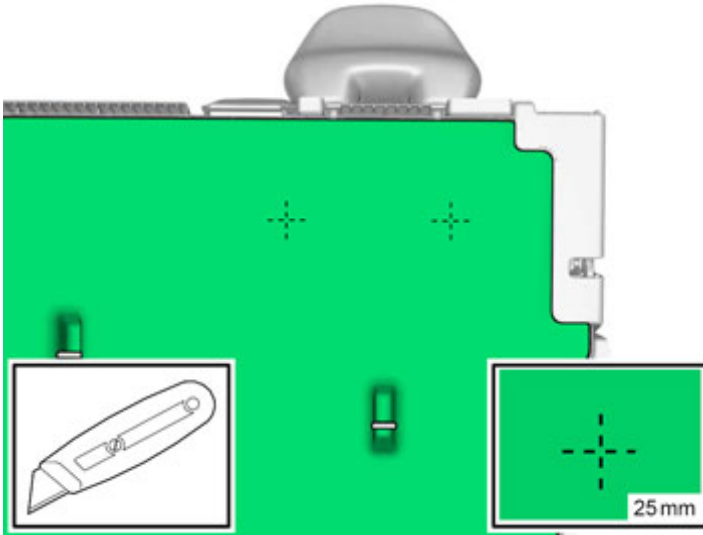


Installation instructions, accessories

Volvo Car Corporation Gothenburg, Sweden

22

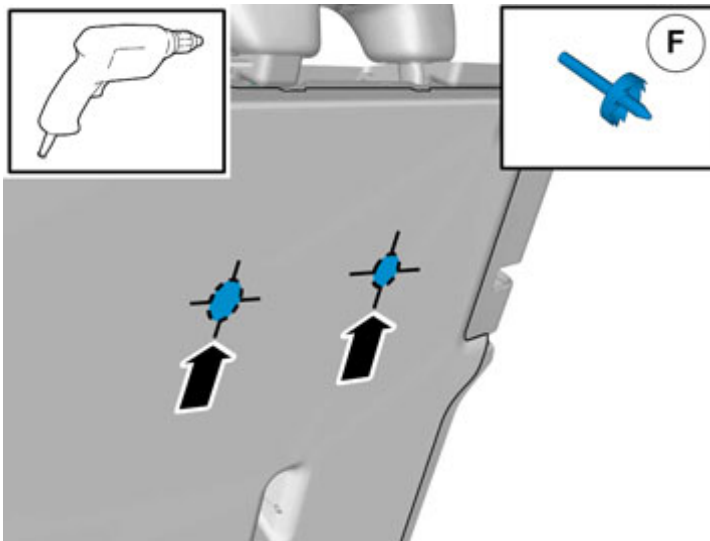
Make a cut in the mat.



IMG-382591

23

Use the tool provided to cut hole.



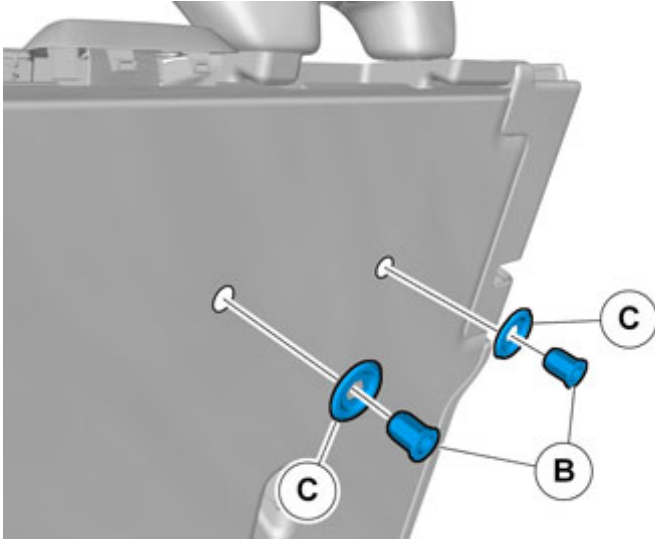
IMG-362460



Installation instructions, accessories

Volvo Car Corporation Gothenburg, Sweden

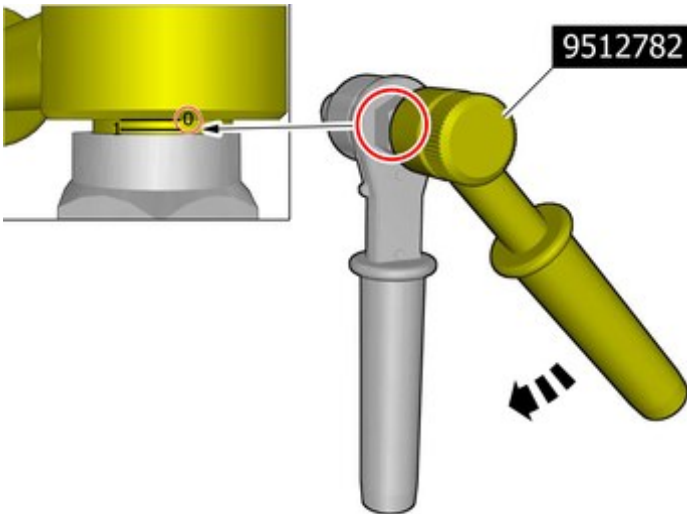
24



IMG-362467

Note!
Orientation view

25



IMG-372305

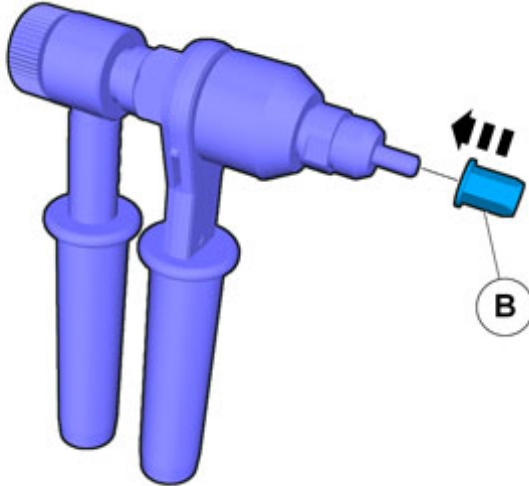
Use special tool: T9512782, Rivet nut tool
Adjust to the specified value.



Installation instructions, accessories

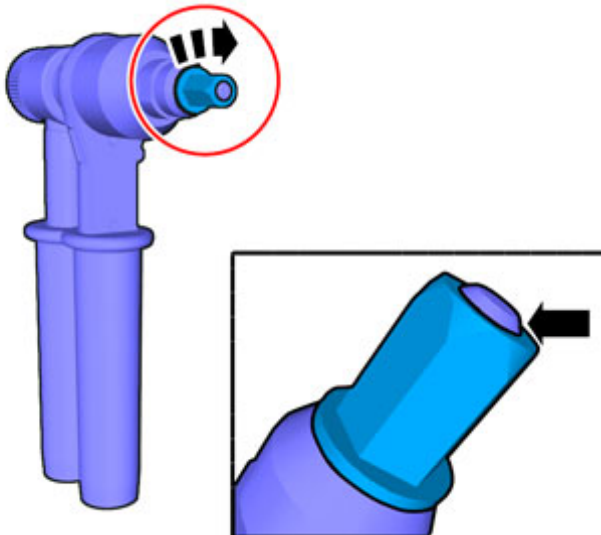
Volvo Car Corporation Gothenburg, Sweden

26



IMG-367096

27



The outermost thread of the tool should be flush with the rivet nut end.

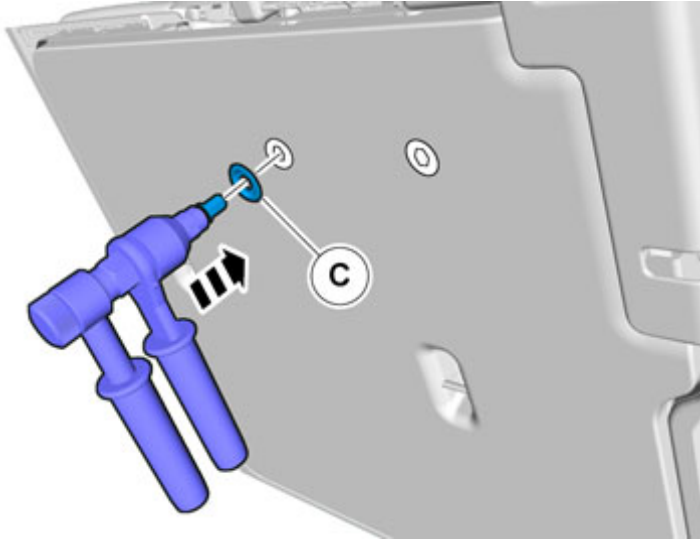
IMG-367098



Installation instructions, accessories

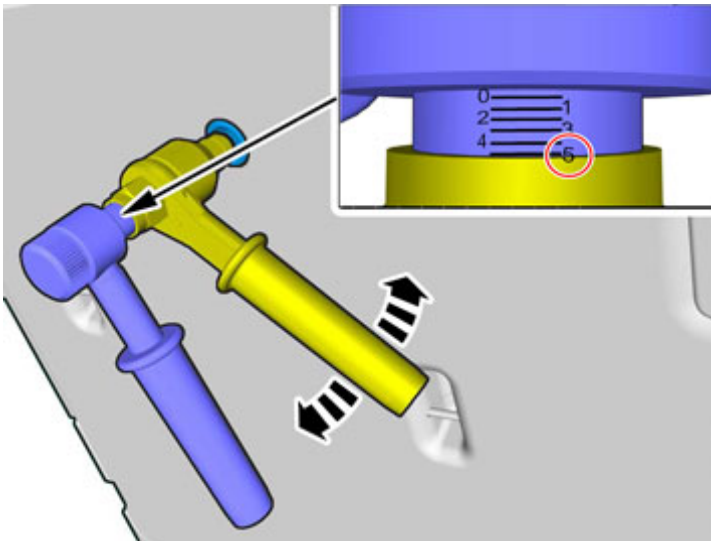
Volvo Car Corporation Gothenburg, Sweden

28



IMG-367337

29



IMG-367336

Press the tool against the surface.

Hold the tool at right angles to the surface.

Tighten to the value stated.

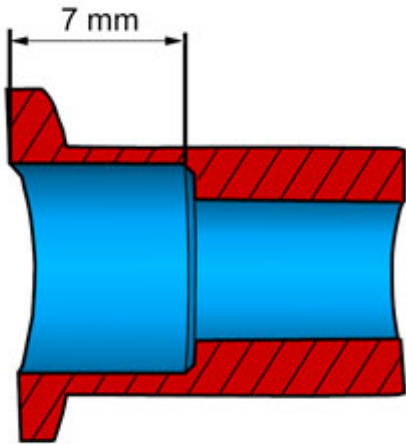
Check



Installation instructions, accessories

Volvo Car Corporation Gothenburg, Sweden

30



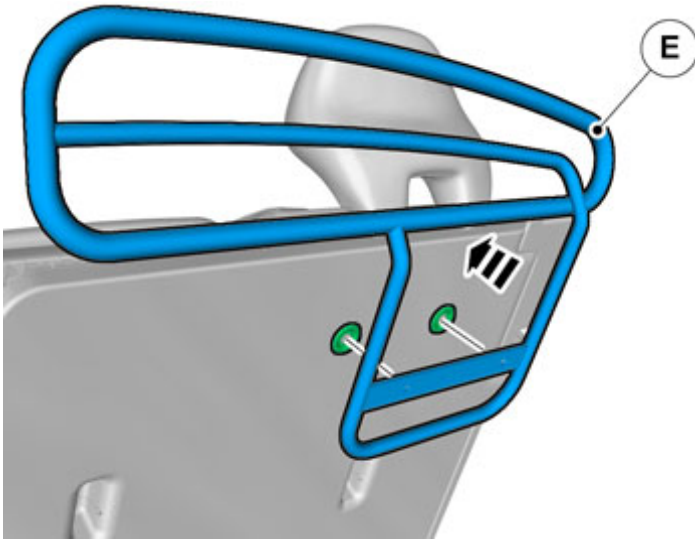
Measure

Use: Vernier caliper

IMG-367354

Accessory installation

31



IMG-362487

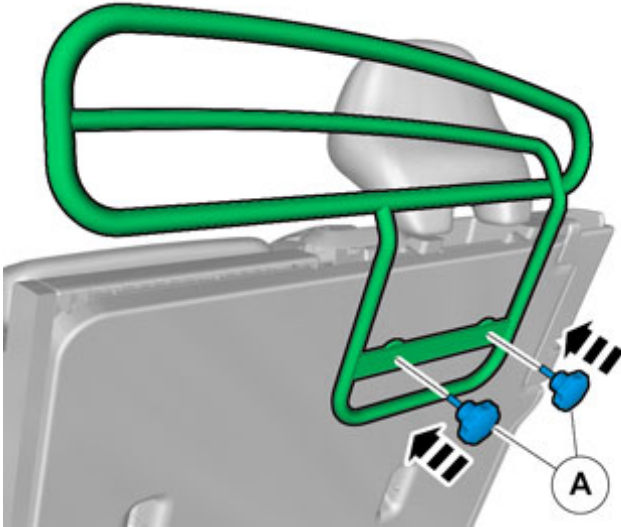


Installation instructions, accessories

Volvo Car Corporation Gothenburg, Sweden

32

Install the screws.



IMG-362493

33

Note!
Only use moderate force.

Tighten the bolts.



IMG-362494