



Installation instructions, accessories

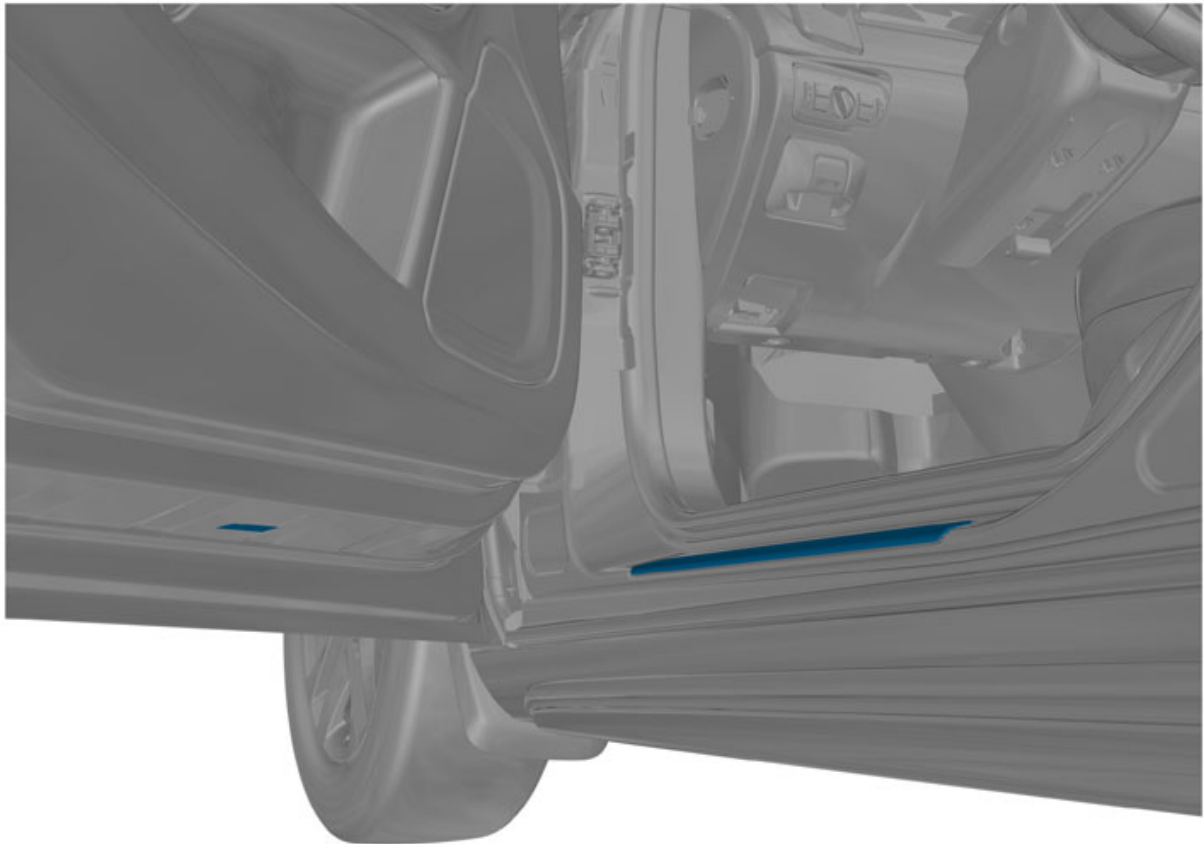
Volvo Car Corporation Gothenburg, Sweden

Instruction No
32204253

Version
1.0

Part. No.
32204251

Sill molding, illuminated, front



IMG-381450



Installation instructions, accessories

Volvo Car Corporation Gothenburg, Sweden

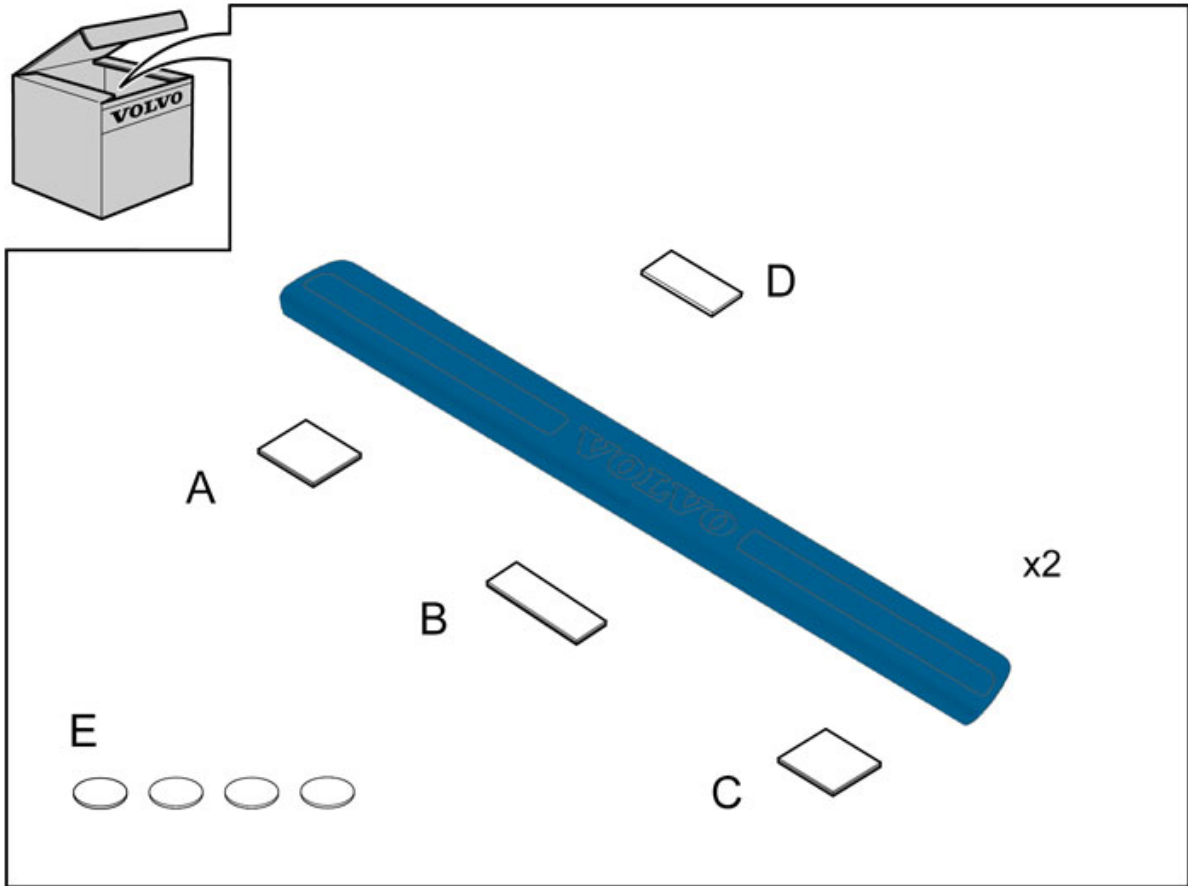
Materials

Designation	Part number
Isopropanol	1161721

Equipment



IMG-239667

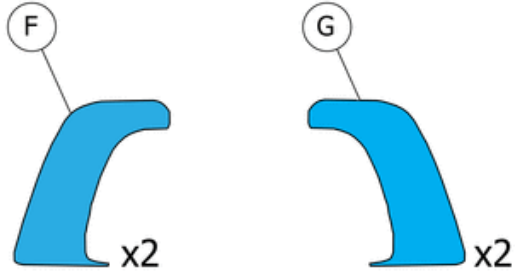


IMG-381484



Installation instructions, accessories

Volvo Car Corporation Gothenburg, Sweden



IMG-434515



Installation instructions, accessories

Volvo Car Corporation Gothenburg, Sweden

Information

1

Read through all of the instructions before starting installation.

Notifications and warning texts are for your safety and to minimise the risk of something breaking during installation.

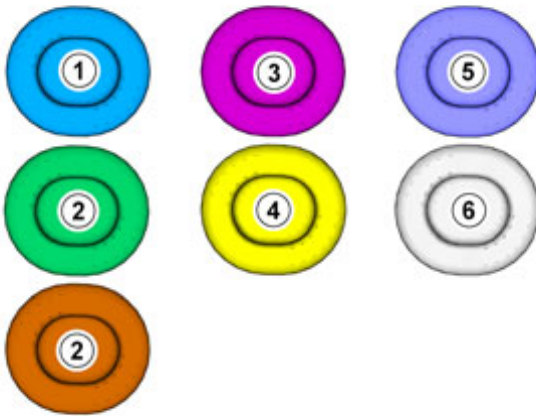
Ensure that all tools stated in the instructions are available before starting installation.

Certain steps in the instructions are only presented in the form of images. Explanatory text is also given for more complicated steps.

In the event of any problems with the instructions or the accessory, contact your local Volvo dealer.

Color symbols

2



Note!

This colour chart displays (in colour print and electronic version) the importance of the different colours used in the images of the method steps.

1. Used for focused component, the component with which you will do something.
2. Used as extra colors when you need to show or differentiate additional parts.
3. Used for attachments that are to be removed/installed. May be screws, clips, connectors, etc.
4. Used when the component is not fully removed from the vehicle but only hung to the side.
5. Used for standard tools and special tools.
6. Used as background color for vehicle components.

IMG-363036

Preparation



Installation instructions, accessories

Volvo Car Corporation Gothenburg, Sweden

3

When installing, the car must retain a temperature of 20 degrees C.

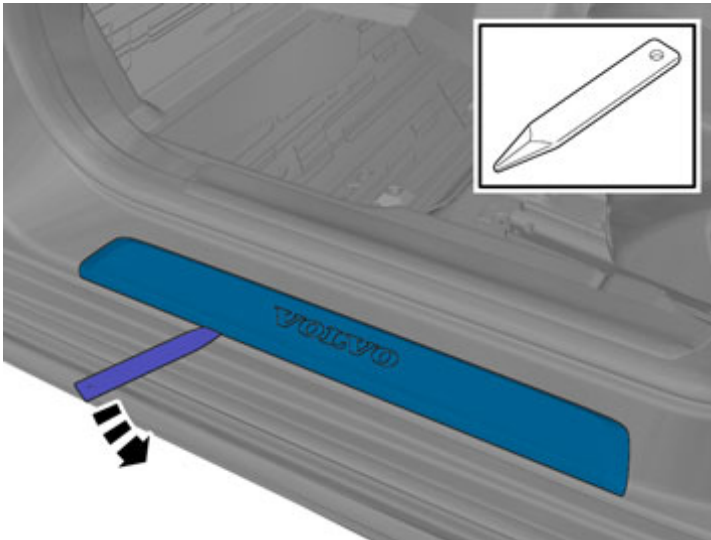


IMG-400004

Removal

4

Use: Interior trim remover



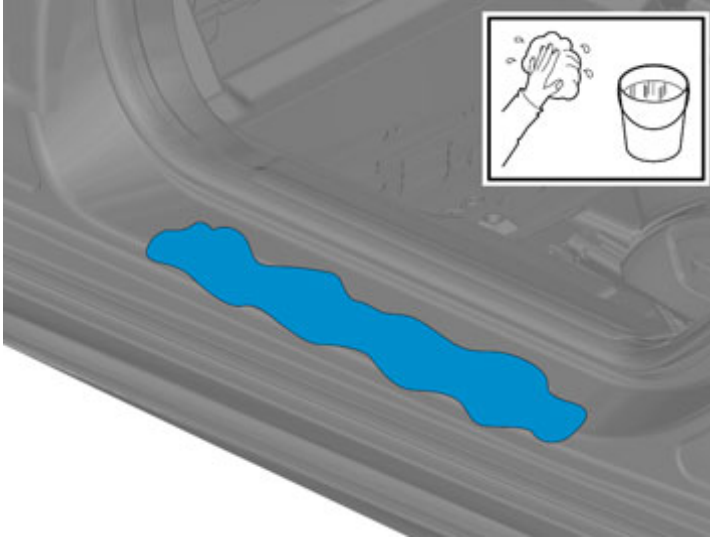
IMG-381451



Installation instructions, accessories

Volvo Car Corporation Gothenburg, Sweden

5



IMG-381452

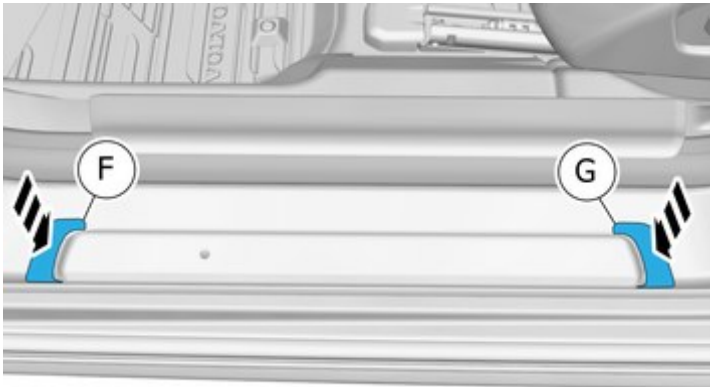
Use: 1161721, Isopropanol

Clean the surface.

Wipe dry.

Accessory installation

6



IMG-434520

Remove the protective film.

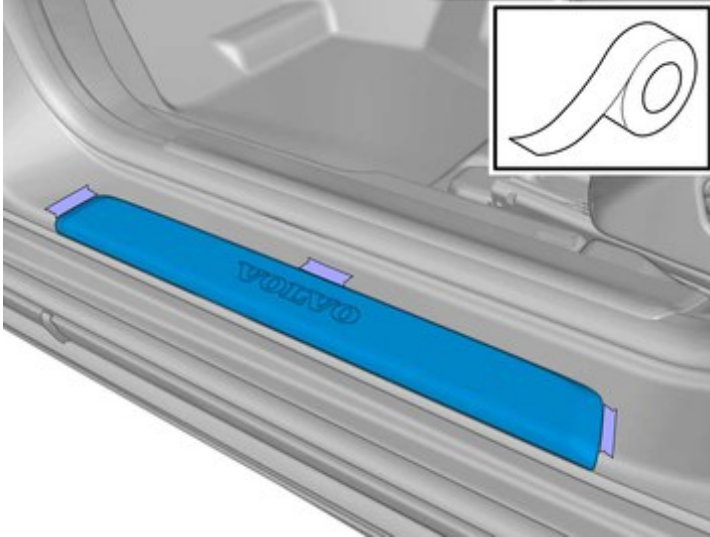
Install component that comes with the accessory kit.



Installation instructions, accessories

Volvo Car Corporation Gothenburg, Sweden

7

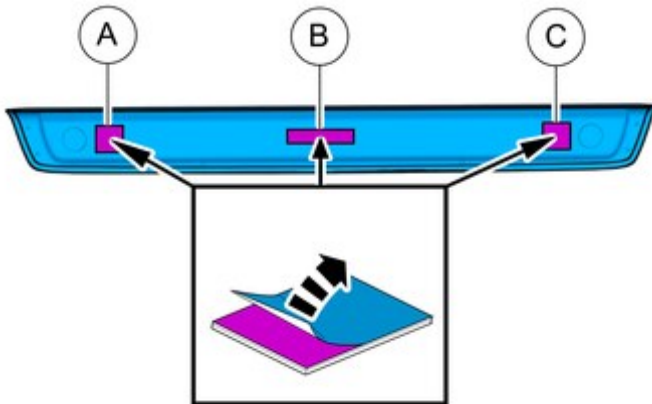


Use appropriate tape to mark the position.

IMG-389806

8

Remove the protective film.



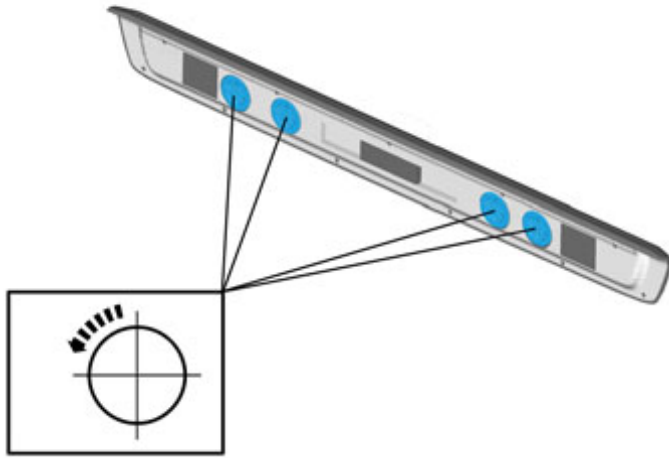
IMG-384905



Installation instructions, accessories

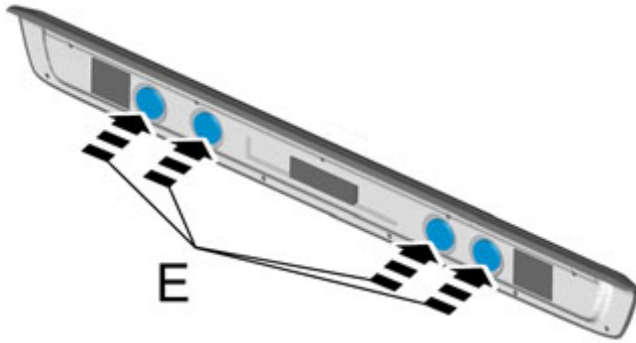
Volvo Car Corporation Gothenburg, Sweden

9



IMG-381455

10



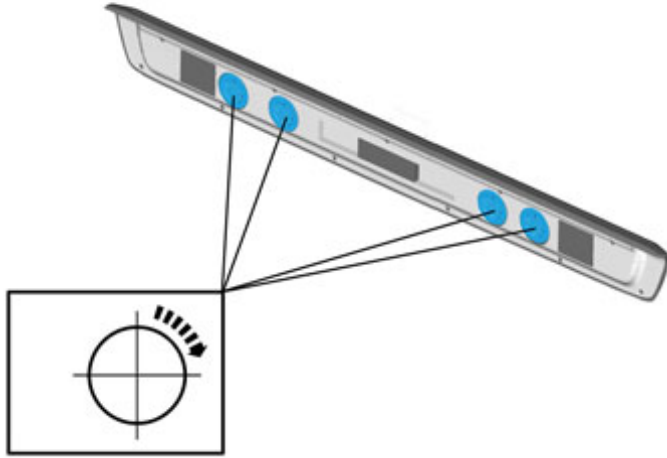
IMG-381486



Installation instructions, accessories

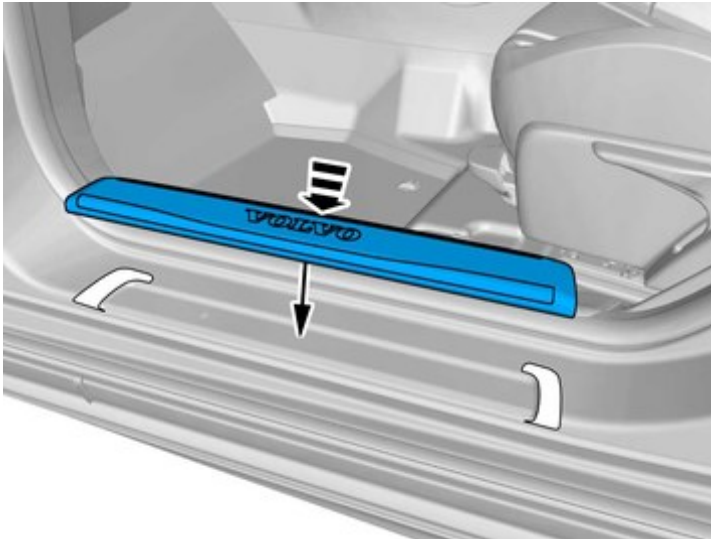
Volvo Car Corporation Gothenburg, Sweden

11



IMG-381491

12



IMG-435231

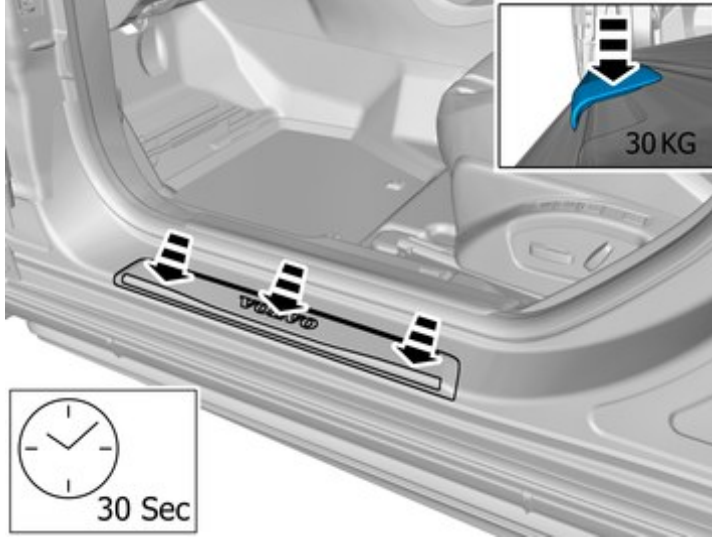
Install component that comes with the accessory kit.



Installation instructions, accessories

Volvo Car Corporation Gothenburg, Sweden

13



IMG-389626

Note!

Apply pressure only where the tape is located.

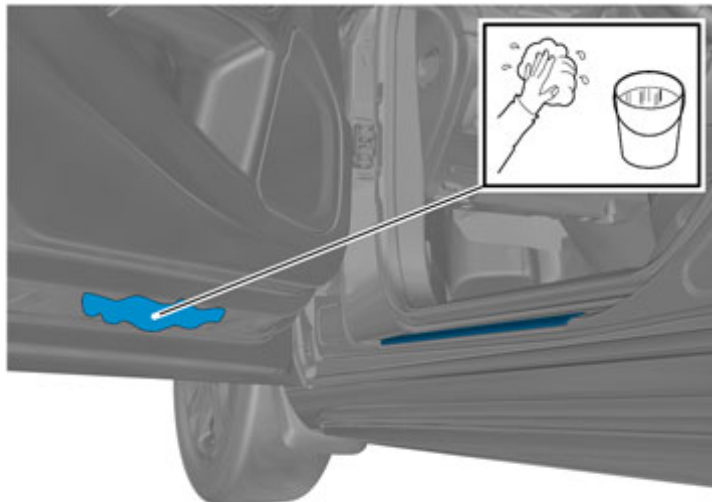
Note!

Maintain a constant pressure above each piece of tape for the time specified in the image.

Note!

Ensure that the tape is fixed to the surface.

14



IMG-381490

Use: 1161721, Isopropanol

Clean the surface.

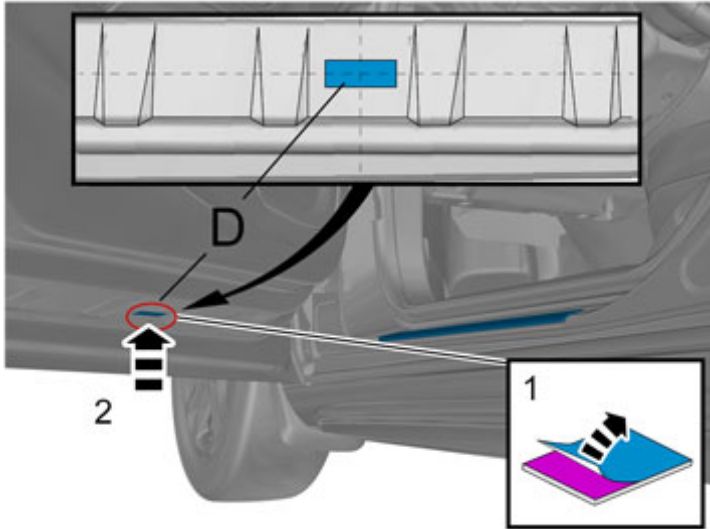
Wipe dry.



Installation instructions, accessories

Volvo Car Corporation Gothenburg, Sweden

15



IMG-381488

Install component that comes with the accessory kit.

16

Repeat all method steps for the other side.

17

Warning!
Check for correct operation after the installation.