

Installation instructions, accessories

Volvo Car Corporation Gothenburg, Sweden

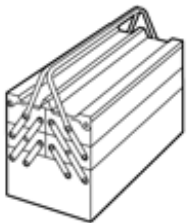
Instruction No 31373271 **Version** 1.0 **Part. No.** 31399335, 31399333, 31399334

End pipes, double, integrated



IMG-378332

Equipment



IMG-345497



IMG-256903

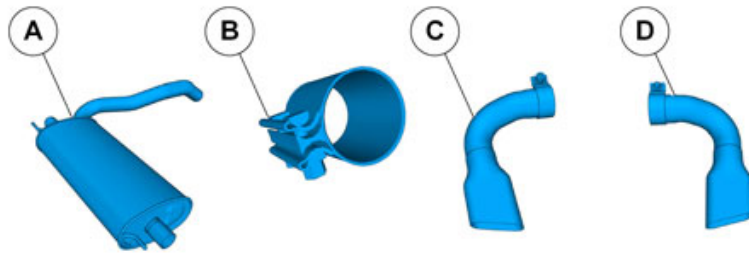


IMG-239664

Nm
lbf.ft

Installation instructions, accessories

Volvo Car Corporation Gothenburg, Sweden



IMG-378474

Installation instructions, accessories

Volvo Car Corporation Gothenburg, Sweden

Information

1

Read through all of the instructions before starting installation.

Notifications and warning texts are for your safety and to minimise the risk of something breaking during installation.

Ensure that all tools stated in the instructions are available before starting installation.

Certain steps in the instructions are only presented in the form of images. Explanatory text is also given for more complicated steps.

In the event of any problems with the instructions or the accessory, contact your local Volvo dealer.

Color symbols

2



IMG-363036

Note!

This colour chart displays (in colour print and electronic version) the importance of the different colours used in the images of the method steps.

1. Used for focused component, the component with which you will do something.
 2. Used as extra colors when you need to show or differentiate additional parts.
 3. Used for attachments that are to be removed/installed. May be screws, clips, connectors, etc.
 4. Used when the component is not fully removed from the vehicle but only hung to the side.
 5. Used for standard tools and special tools.
 6. Used as background color for vehicle components.
-

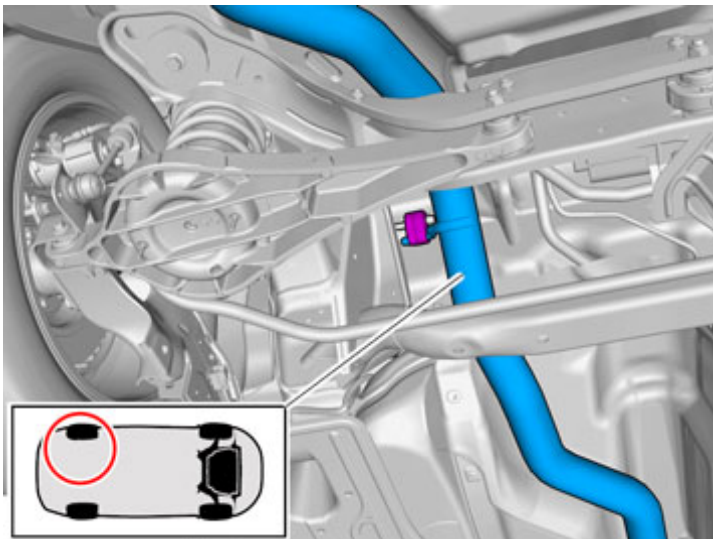
Removal

Applies to vehicles with single end pipe

Installation instructions, accessories

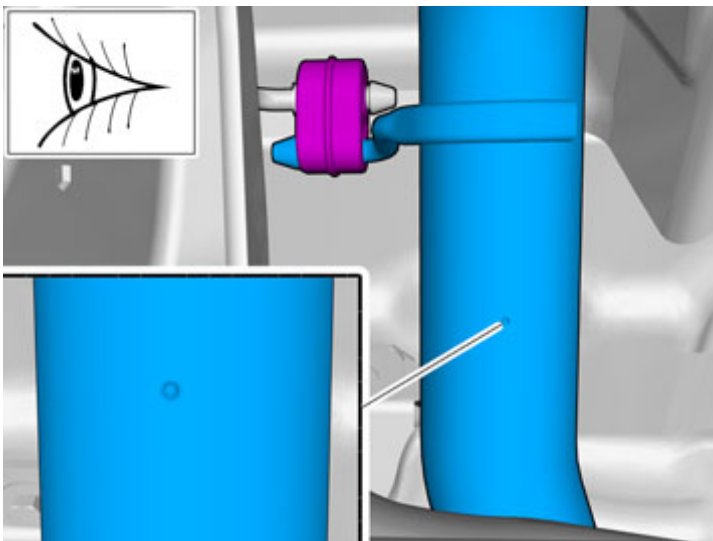
Volvo Car Corporation Gothenburg, Sweden

3



IMG-350911

4

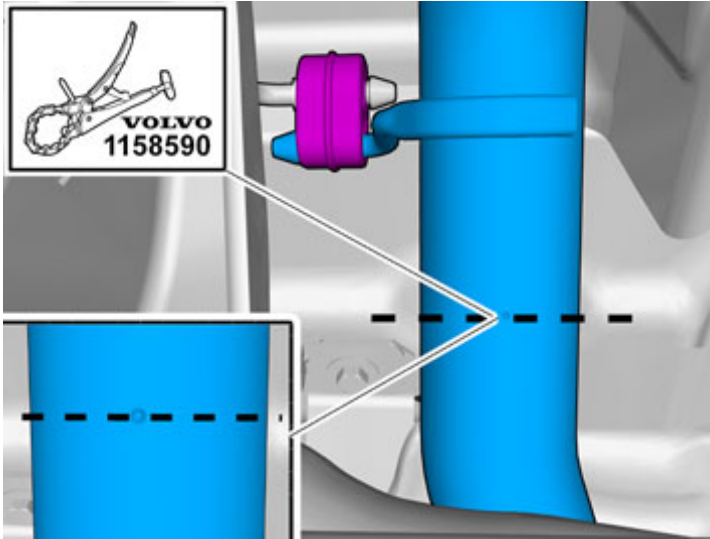


IMG-350971

Installation instructions, accessories

Volvo Car Corporation Gothenburg, Sweden

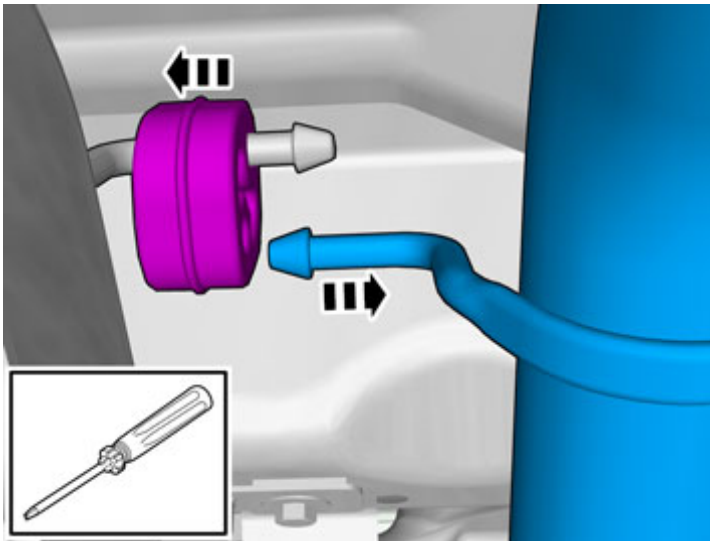
5



IMG-350912

Use: Pipe cutter

6

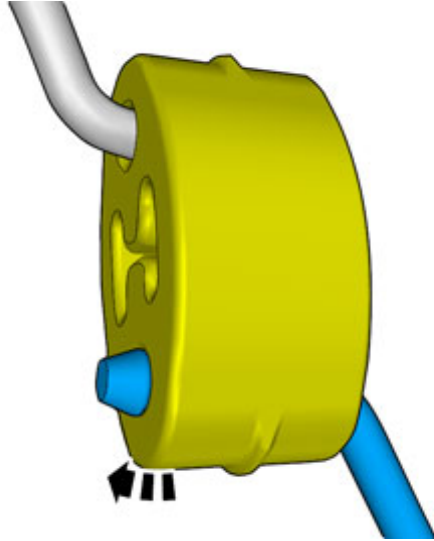


IMG-350913

Installation instructions, accessories

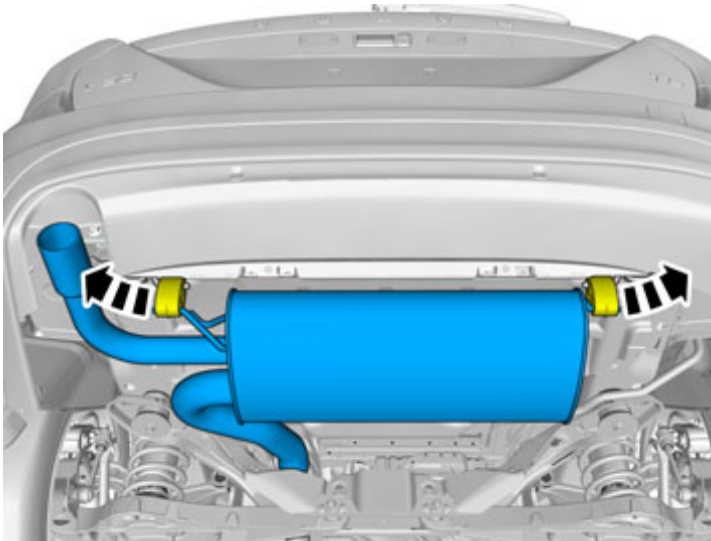
Volvo Car Corporation Gothenburg, Sweden

7



IMG-338864

8

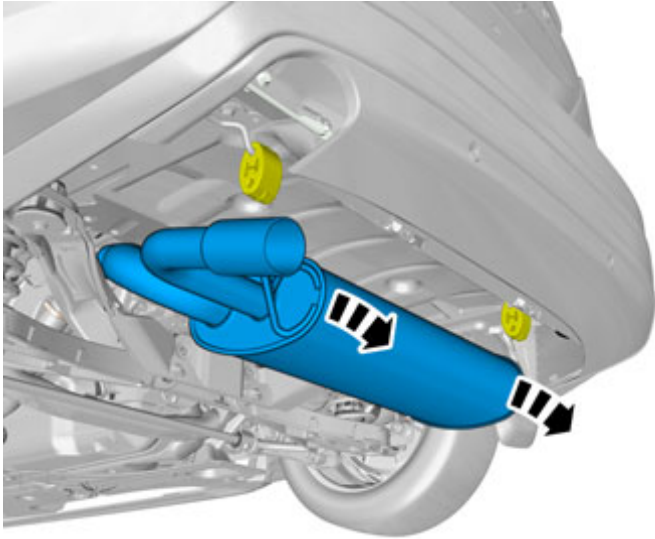


IMG-378495

Installation instructions, accessories

Volvo Car Corporation Gothenburg, Sweden

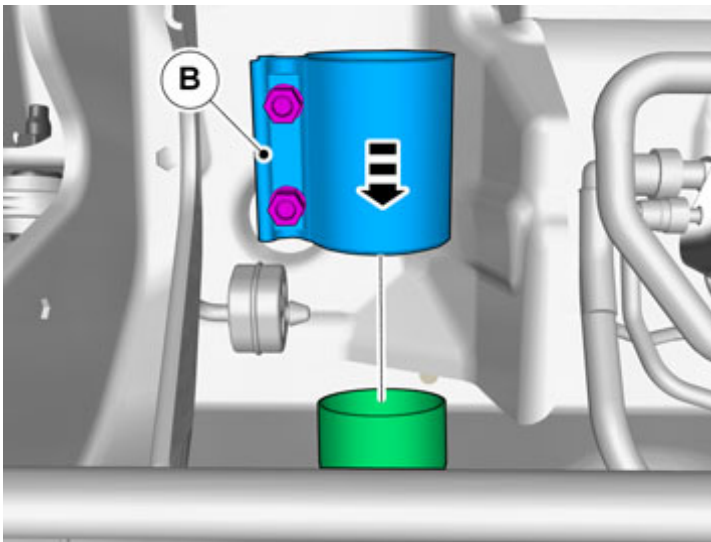
9



IMG-378509

Accessory installation

10

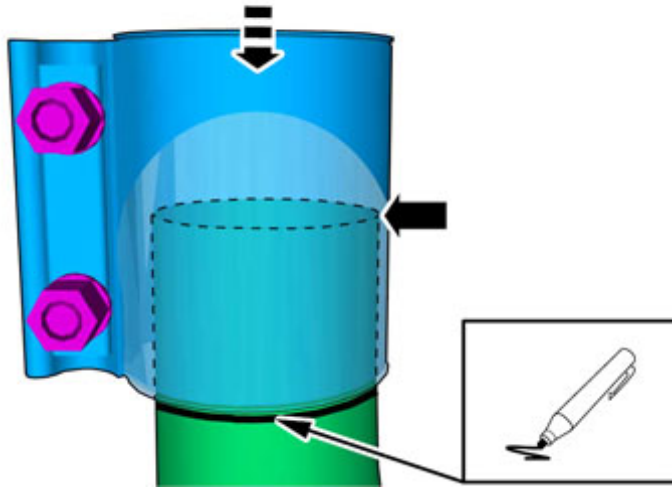


IMG-351023

Installation instructions, accessories

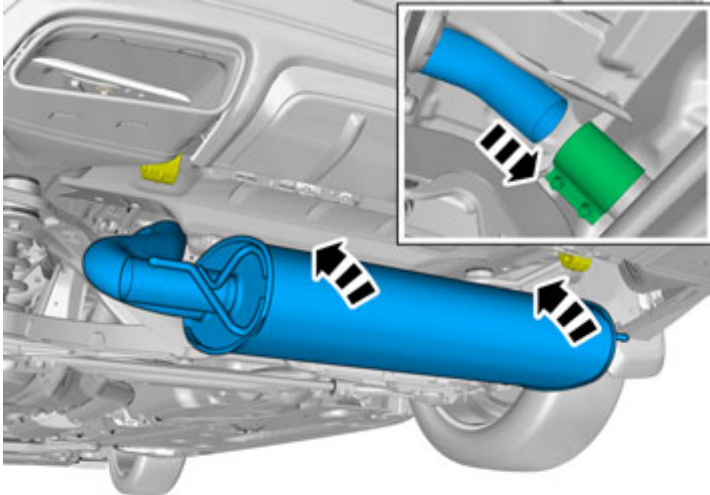
Volvo Car Corporation Gothenburg, Sweden

11



IMG-351061

12

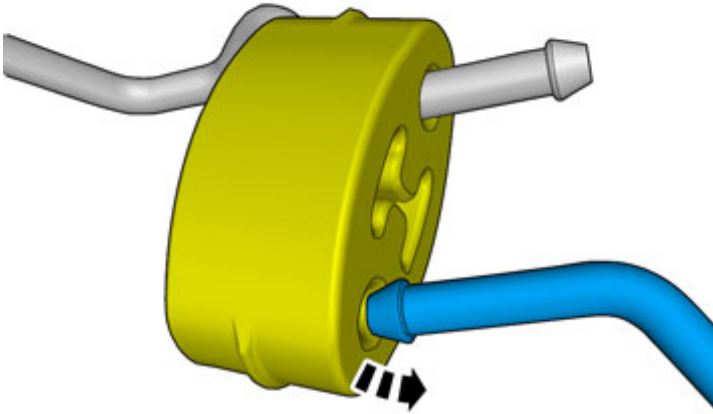


IMG-378510

Installation instructions, accessories

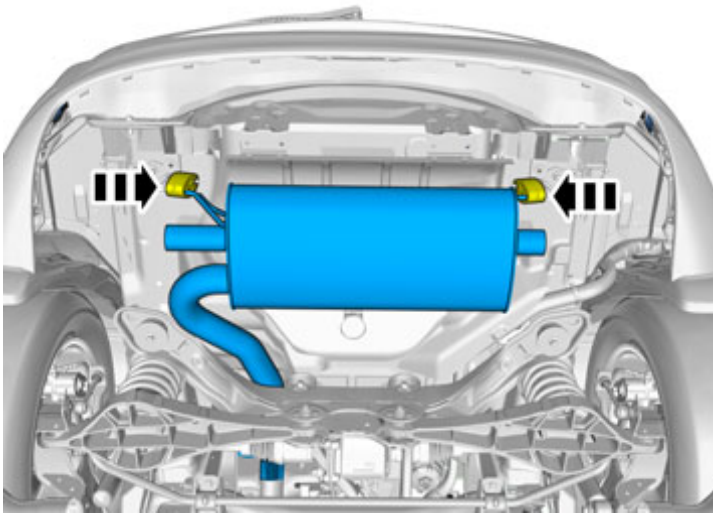
Volvo Car Corporation Gothenburg, Sweden

13



IMG-338862

14

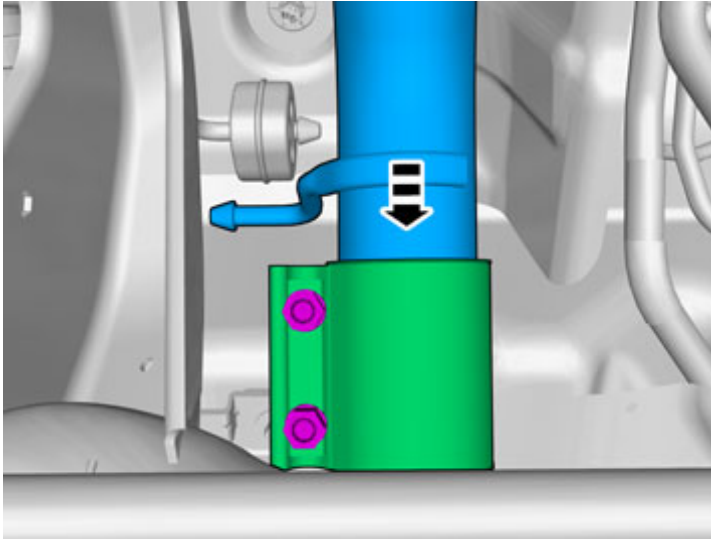


IMG-378414

Installation instructions, accessories

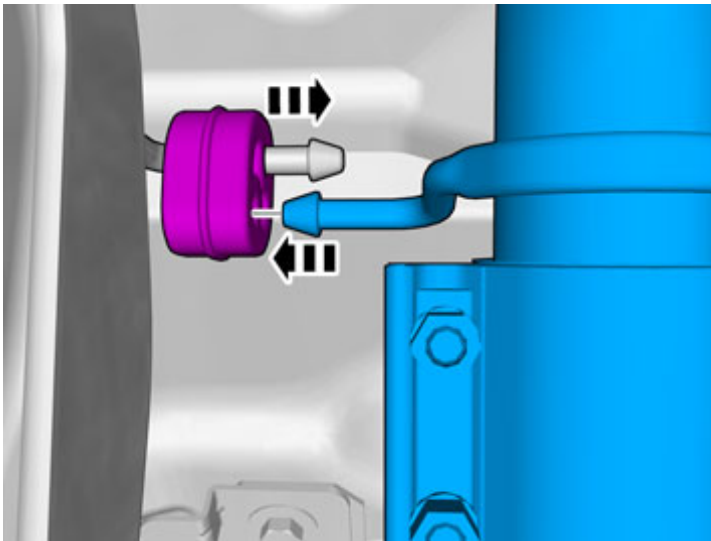
Volvo Car Corporation Gothenburg, Sweden

15



IMG-351027

16

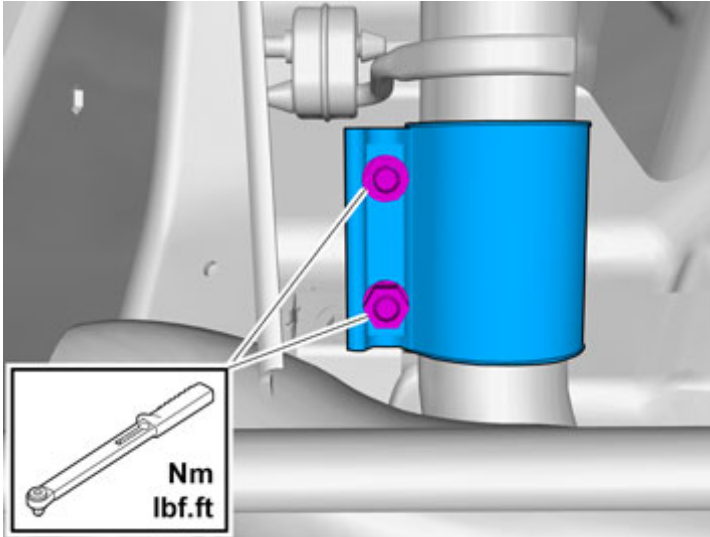


IMG-351031

Installation instructions, accessories

Volvo Car Corporation Gothenburg, Sweden

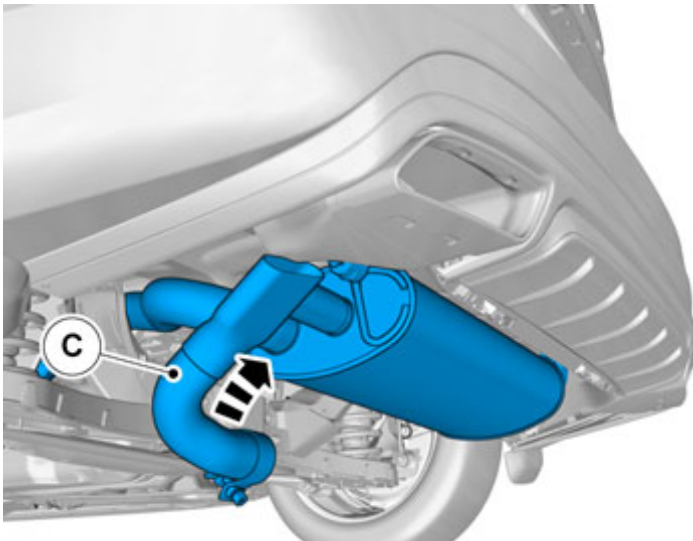
17



IMG-351047

Tightening torque: M10 , 50 Nm

18



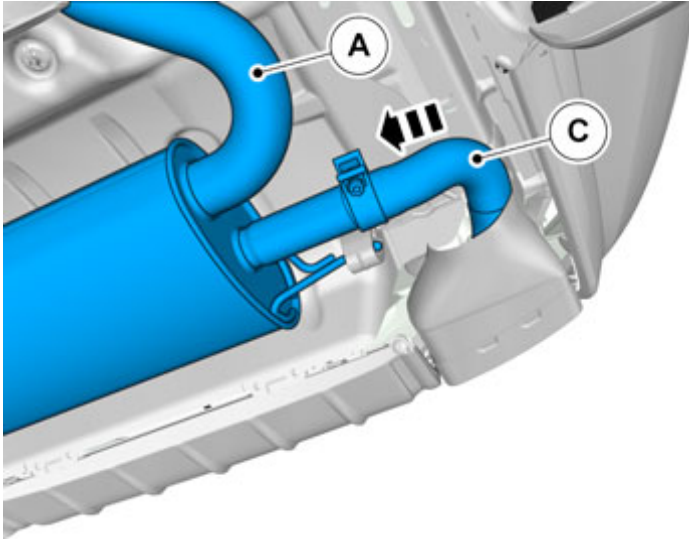
IMG-378326

Note!
The Diffuser (accessory) must be installed on the vehicle.

Installation instructions, accessories

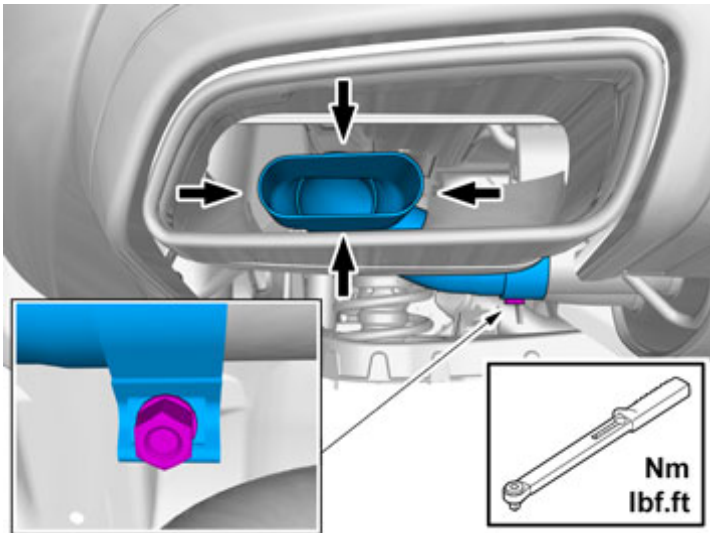
Volvo Car Corporation Gothenburg, Sweden

19



IMG-378330

20



IMG-378331

On both sides.

Tightening torque: M10 , 50 Nm

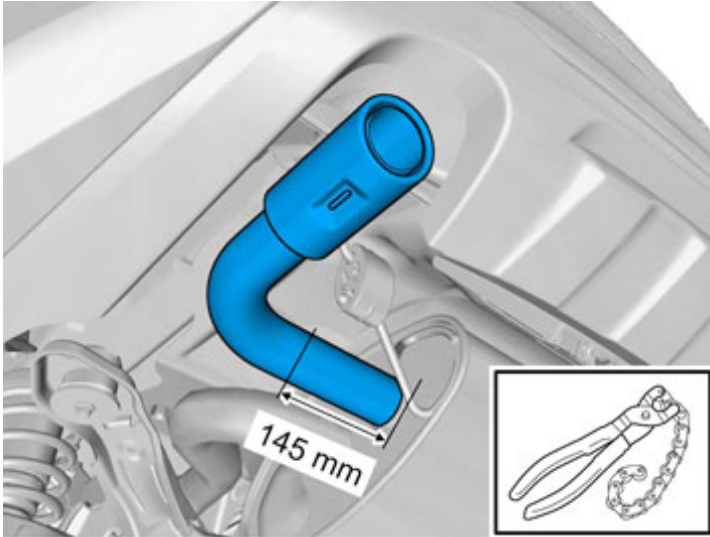
Removal

Applies to vehicles with double end pipe

Installation instructions, accessories

Volvo Car Corporation Gothenburg, Sweden

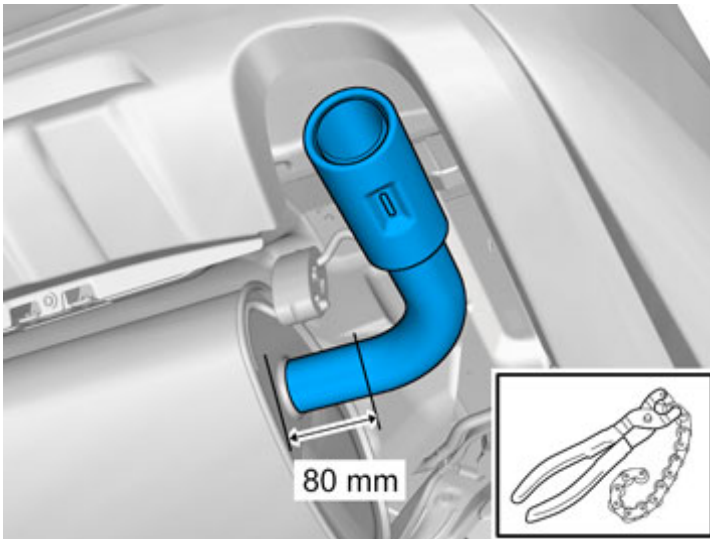
21



IMG-339297

Use: Pipe cutter

22



IMG-338494

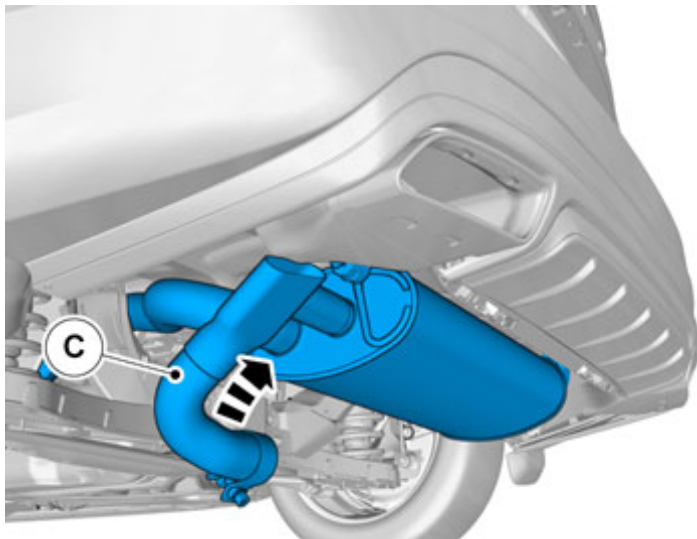
Use: Pipe cutter

Accessory installation

Installation instructions, accessories

Volvo Car Corporation Gothenburg, Sweden

23

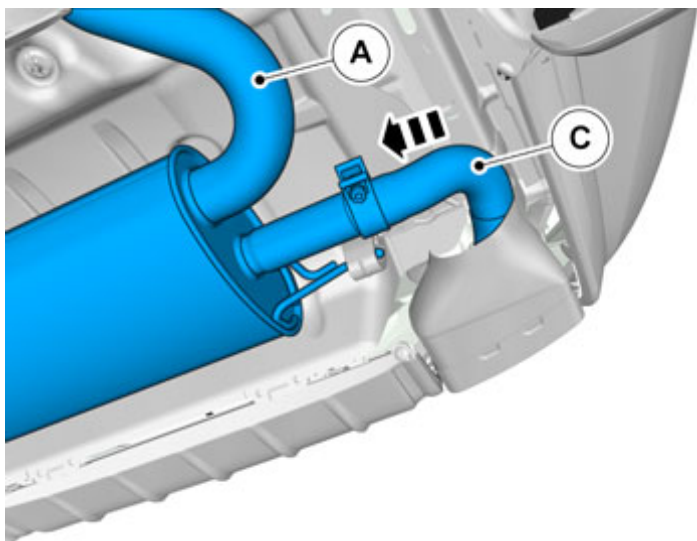


IMG-378326

Note!

The Diffuser (accessory) must be installed on the vehicle.

24

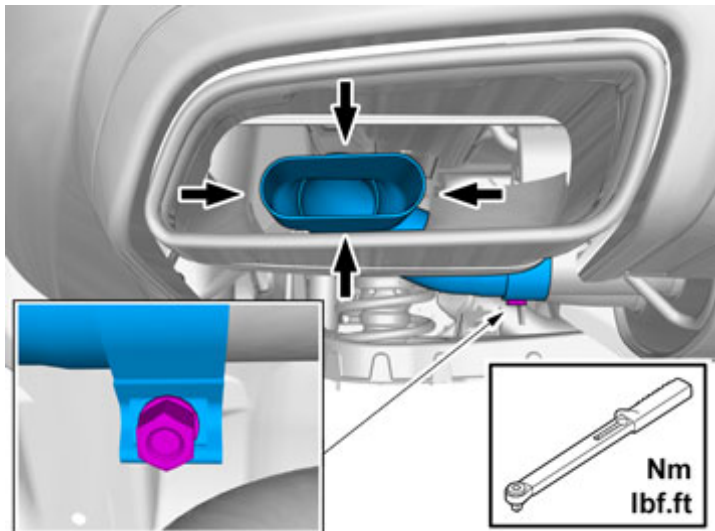


IMG-378330

Installation instructions, accessories

Volvo Car Corporation Gothenburg, Sweden

25



IMG-378331

On both sides.

Tightening torque: M10 , 50 Nm