

Installation instructions, accessories

Volvo Car Corporation Gothenburg, Sweden

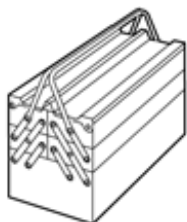
Instruction No 31373166 **Version** 1.1 **Part. No.** 31265329

Mudflaps, front

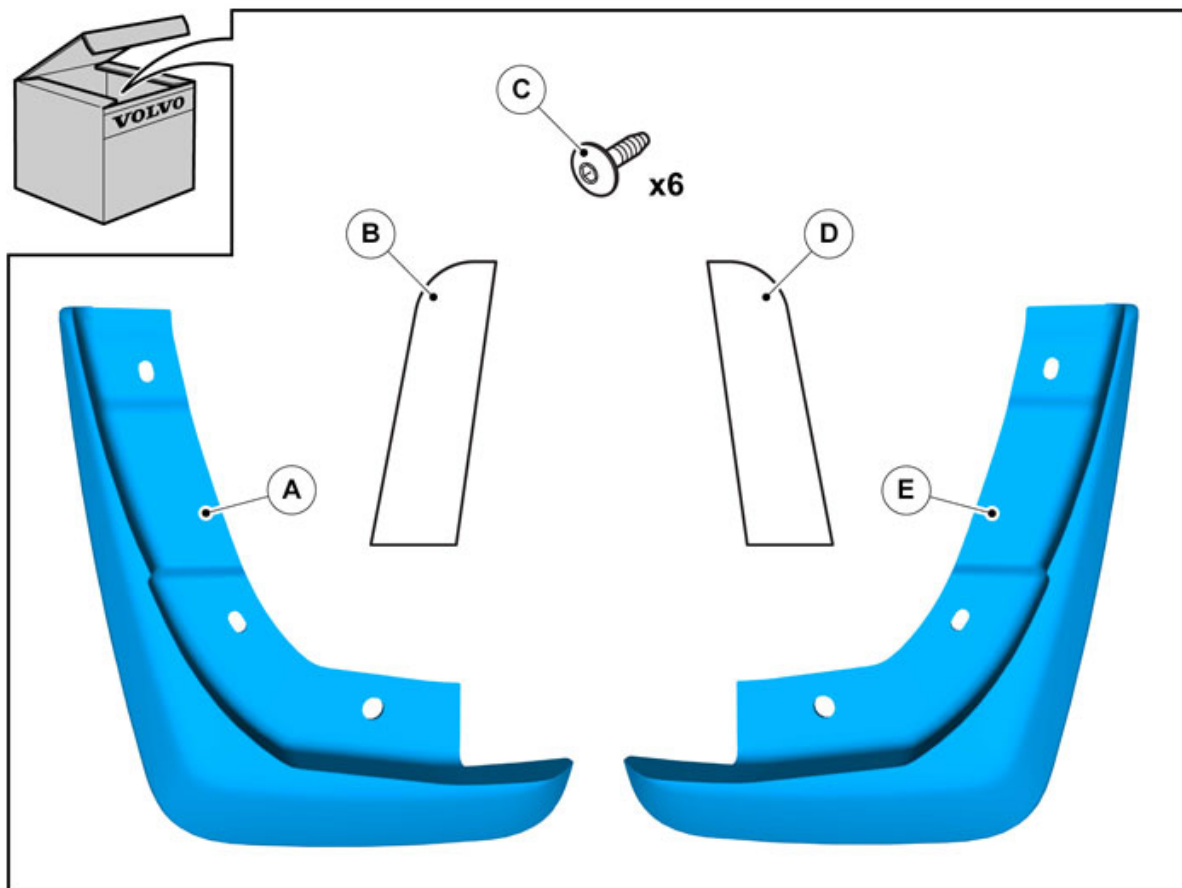
Materials

Designation	Part number
Isopropanol	1161721

Equipment



IMG-345497



IMG-340354

Installation instructions, accessories

Volvo Car Corporation Gothenburg, Sweden

Information

1

Read through all of the instructions before starting installation.

Notifications and warning texts are for your safety and to minimise the risk of something breaking during installation.

Ensure that all tools stated in the instructions are available before starting installation.

Certain steps in the instructions are only presented in the form of images. Explanatory text is also given for more complicated steps.

In the event of any problems with the instructions or the accessory, contact your local Volvo dealer.

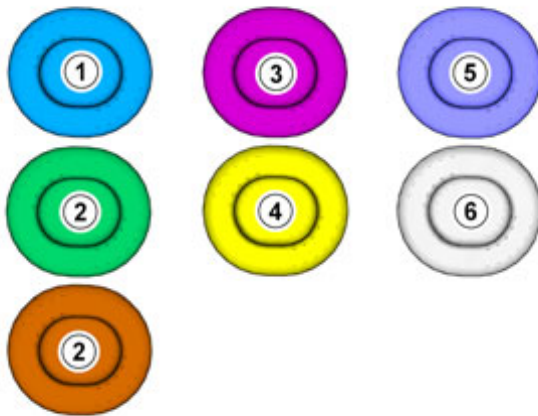
Color symbols

2

Note!

This colour chart displays (in colour print and electronic version) the importance of the different colours used in the images of the method steps.

3



IMG-363036

1. Used for focused component, the component with which you will do something.
 2. Used as extra colors when you need to show or differentiate additional parts.
 3. Used for attachments that are to be removed/installed. May be screws, clips, connectors, etc.
 4. Used when the component is not fully removed from the vehicle but only hung to the side.
 5. Used for standard tools and special tools.
 6. Used as background color for vehicle components.
-

Preparation

Installation instructions, accessories

Volvo Car Corporation Gothenburg, Sweden

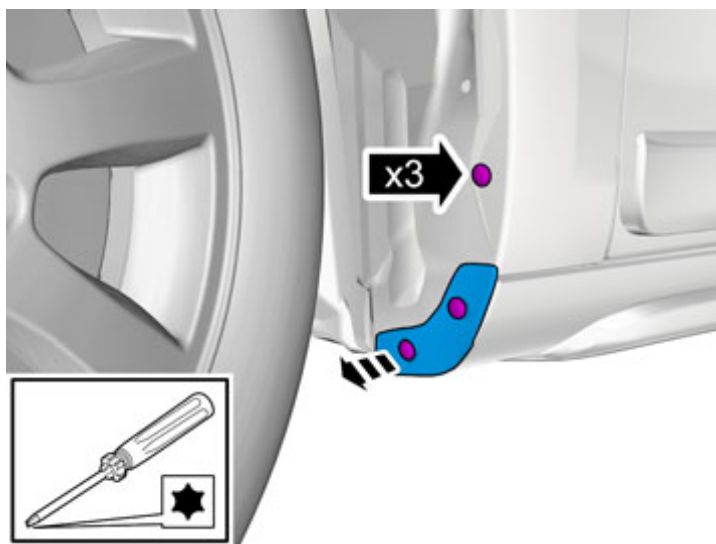
4



IMG-340356

Removal

5



IMG-340357

Remove the screws.

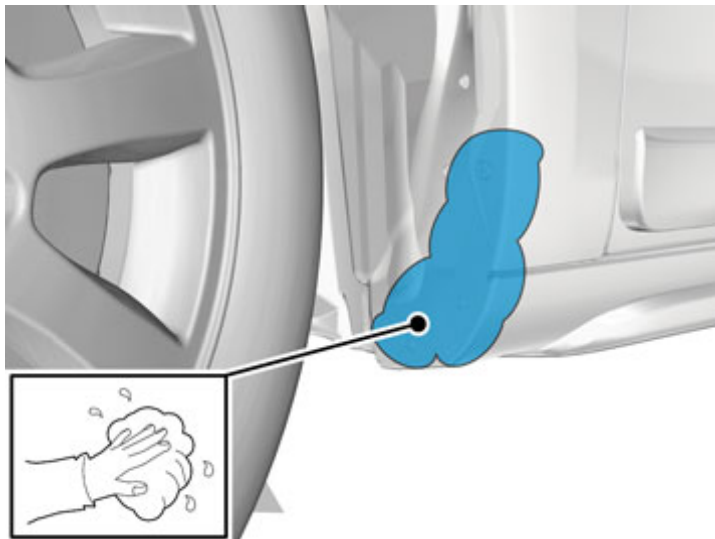
Remove the panel.

The part is not to be reused.

Installation instructions, accessories

Volvo Car Corporation Gothenburg, Sweden

6

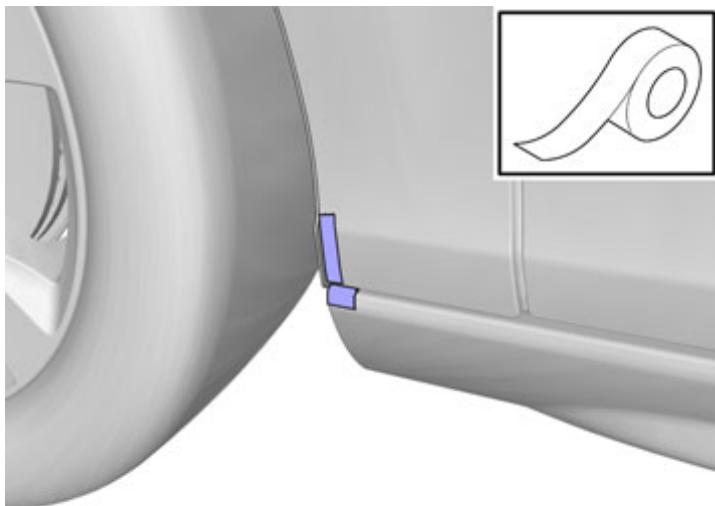


IMG-340358

Clean the surface.

Wipe dry.

7



IMG-354089

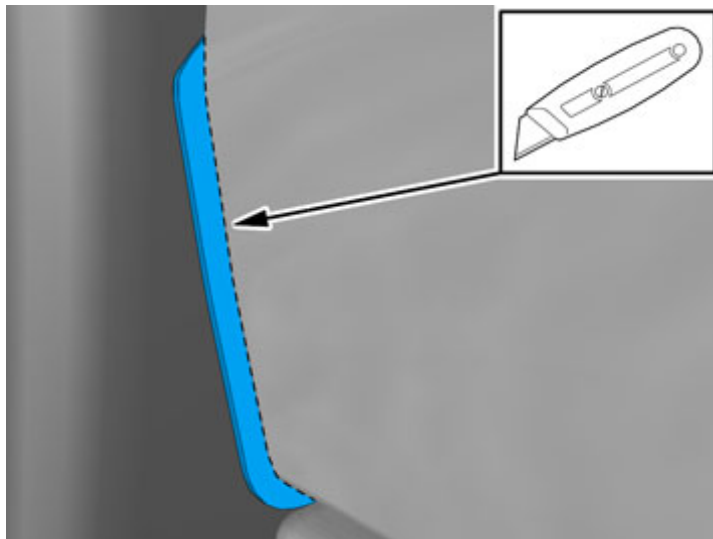
Note!

Protect adjacent components with tape.

Installation instructions, accessories

Volvo Car Corporation Gothenburg, Sweden

8



IMG-354090

Caution!

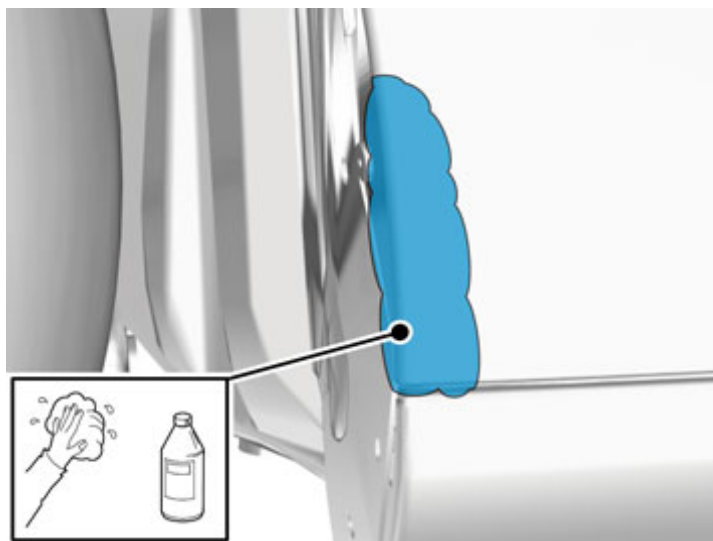
Cut carefully to avoid unintentional damage or personal injury.

Caution!

Make sure not to damage painted surfaces.

Remove the tape.

9



IMG-340360

Clean the surface.

Use: 1161721, Isopropanol

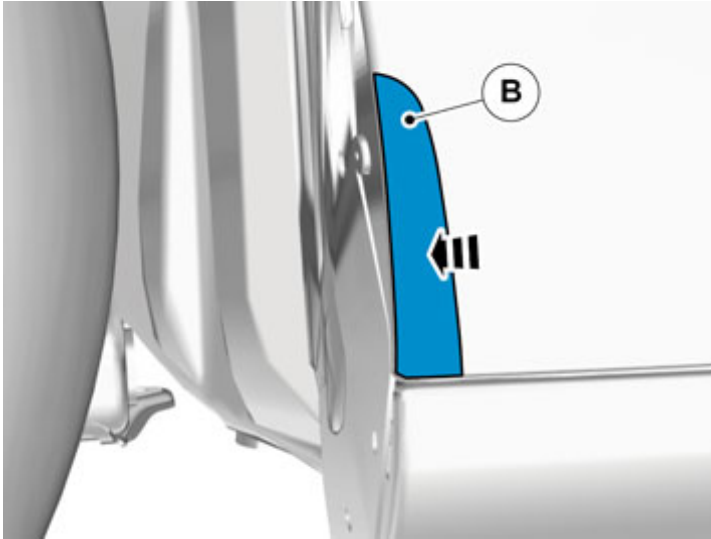
Allow to dry.

Accessory installation

Installation instructions, accessories

Volvo Car Corporation Gothenburg, Sweden

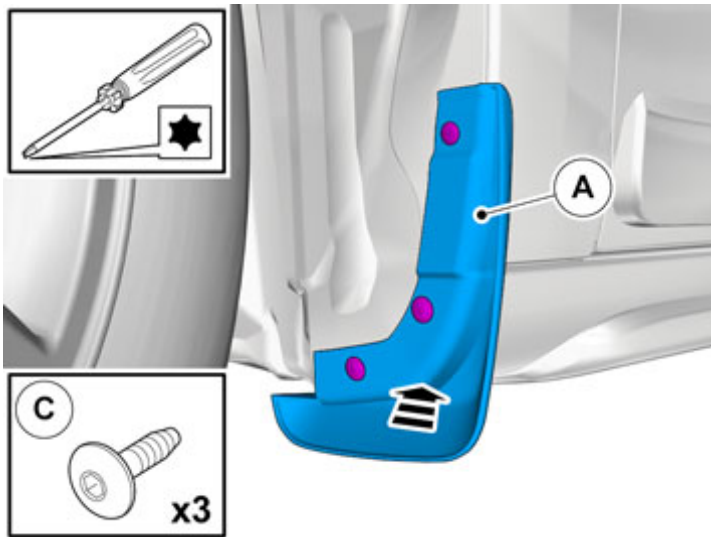
10



IMG-340361

Install component that comes with the accessory kit.

11



IMG-340362

Install component that comes with the accessory kit.

Repeat all method steps for the other side.