

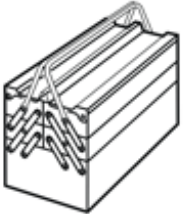
Installation instructions, accessories

Volvo Car Corporation Gothenburg, Sweden

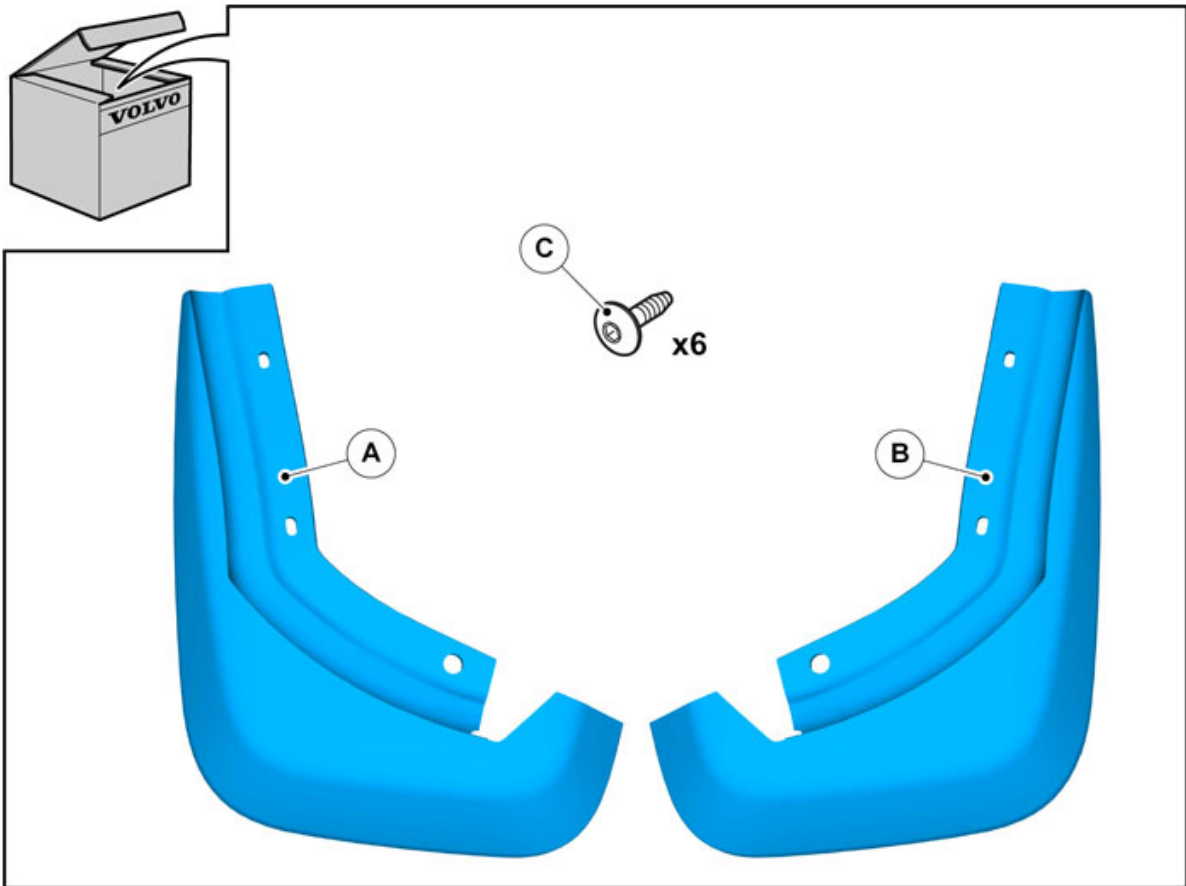
Instruction No 31269639 **Version** 1.0 **Part. No.** 31265330, 31359695

Mudflaps, rear

Equipment



A0000162



IMG-340366

Installation instructions, accessories

Volvo Car Corporation Gothenburg, Sweden

INTRODUCTION

Read through all of the instructions before starting installation.

Notifications and warning texts are for your safety and to minimise the risk of something breaking during installation.

Ensure that all tools stated in the instructions are available before starting installation.

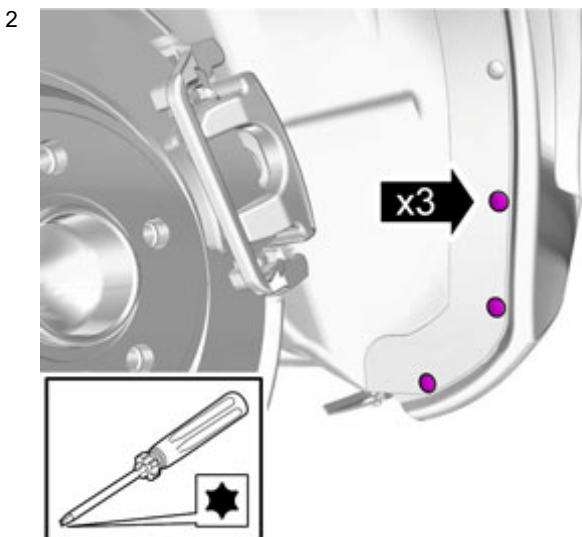
Certain steps in the instructions are only presented in the form of images. Explanatory text is also given for more complicated steps.

In the event of any problems with the instructions or the accessory, contact your local Volvo dealer.



IMG-340370

Remove the wheel.

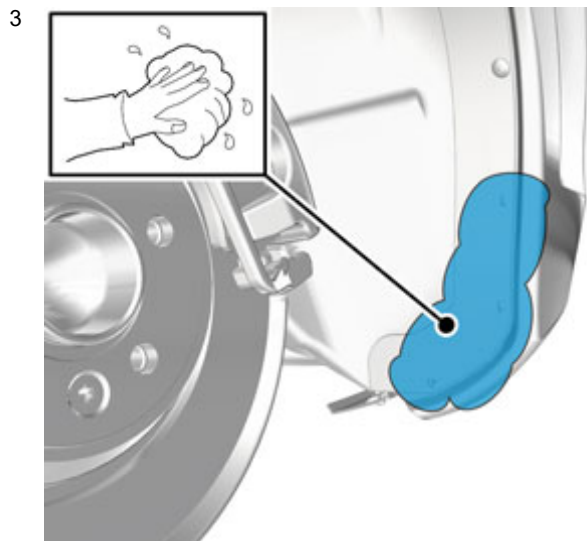


IMG-340367

Remove the screws. These will not be reused.

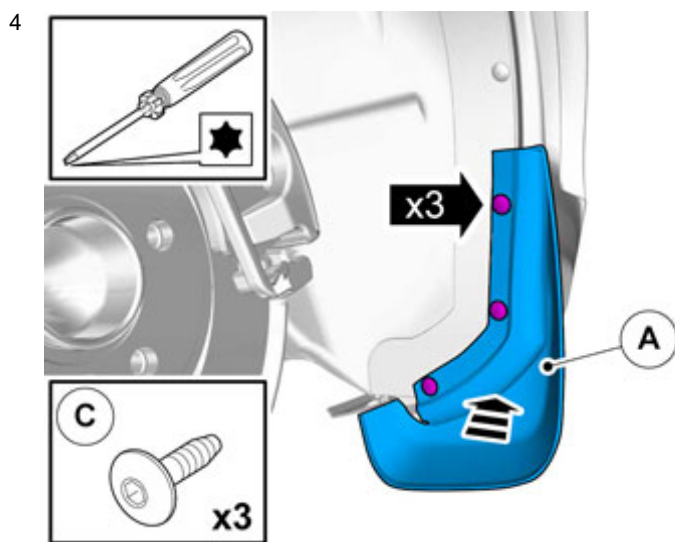
Installation instructions, accessories

Volvo Car Corporation Gothenburg, Sweden



IMG-340368

Clean the area where the mudflap is to be positioned.



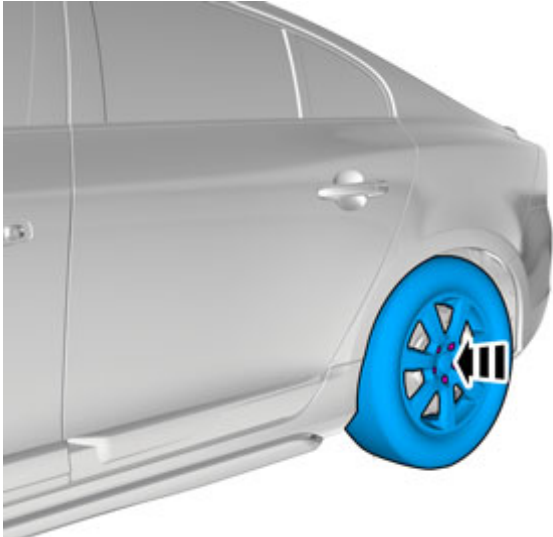
IMG-340369

Install and screw the mudflap into place.

Installation instructions, accessories

Volvo Car Corporation Gothenburg, Sweden

5



IMG-340372

Install the wheel.

Tightening torque: 140 Nm

Repeat the method steps for the other side.