



Installation instructions, accessories

Volvo Car Corporation Gothenburg, Sweden

Instruction No	Version	Part. No.
31414367	1.0	31357075

Infotainment, display upgrade



Installation instructions, accessories

Volvo Car Corporation Gothenburg, Sweden

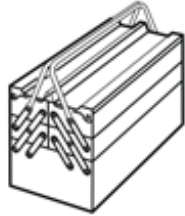
Materials

Designation	Part number
Isopropanol	1161721

Equipment

VIDA

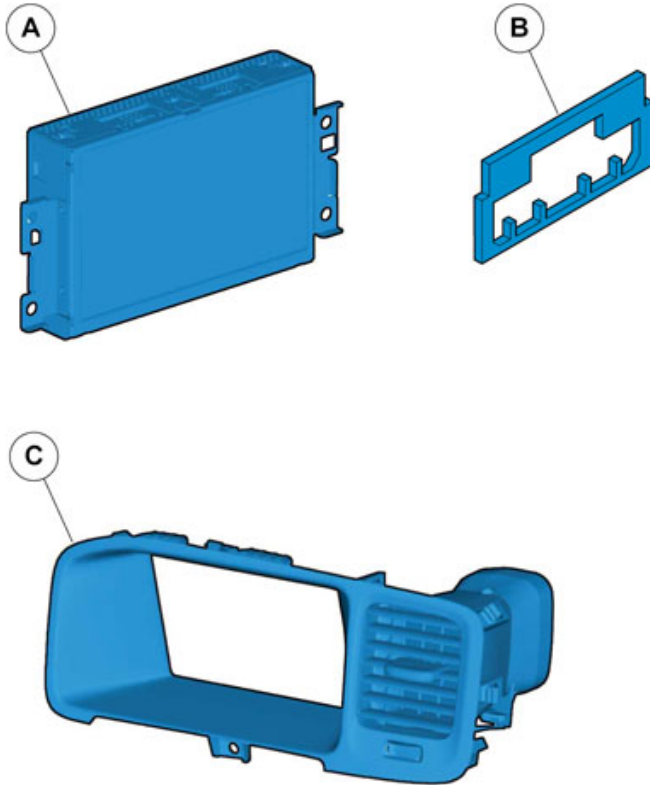
IMG-242205



A0000162



IMG-239667



IMG-379161



Installation instructions, accessories

Volvo Car Corporation Gothenburg, Sweden

36660-2

Infotainment levels upgrade

Equipment

Designation

Electrician's screwdriver

Information

1

Read through all of the instructions before starting installation.

Notifications and warning texts are for your safety and to minimise the risk of something breaking during installation.

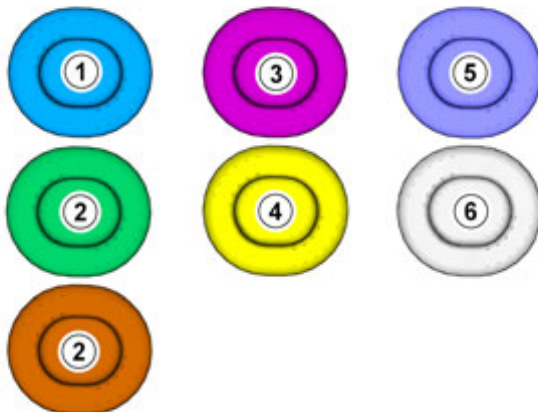
Ensure that all tools stated in the instructions are available before starting installation.

Certain steps in the instructions are only presented in the form of images. Explanatory text is also given for more complicated steps.

In the event of any problems with the instructions or the accessory, contact your local Volvo dealer.

Color symbols

2



IMG-363036

Note!

This colour chart displays (in colour print and electronic version) the importance of the different colours used in the images of the method steps.

1. Used for focused component, the component with which you will do something.
2. Used as extra colors when you need to show or differentiate additional parts.
3. Used for attachments that are to be removed/installed. May be screws, clips, connectors, etc.
4. Used when the component is not fully removed from the vehicle but only hung to the side.
5. Used for standard tools and special tools.
6. Used as background color for vehicle components.

Removal



Installation instructions, accessories

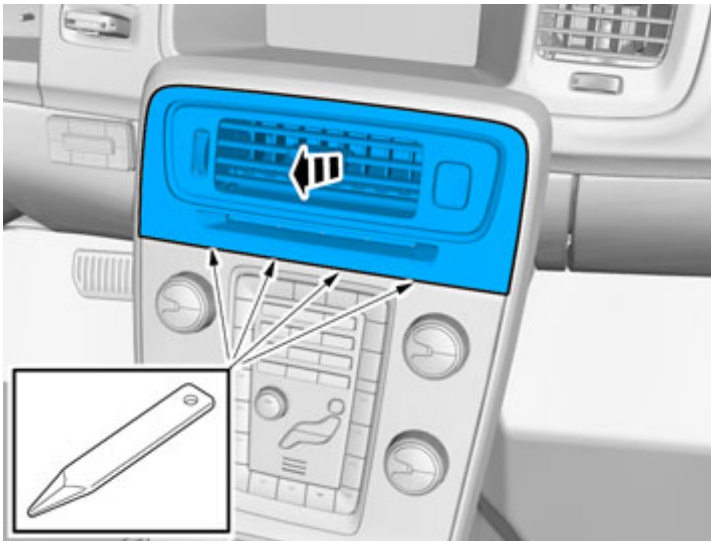
Volvo Car Corporation Gothenburg, Sweden

3



IMG-332193

4



Remove the panel.

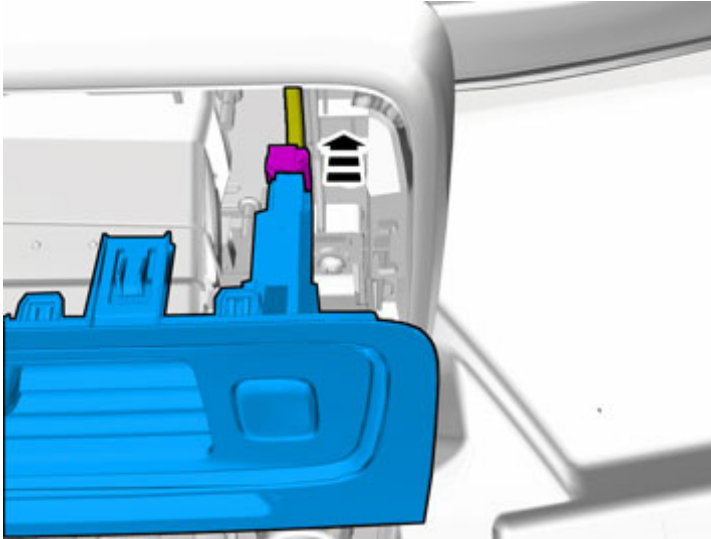
IMG-345113



Installation instructions, accessories

Volvo Car Corporation Gothenburg, Sweden

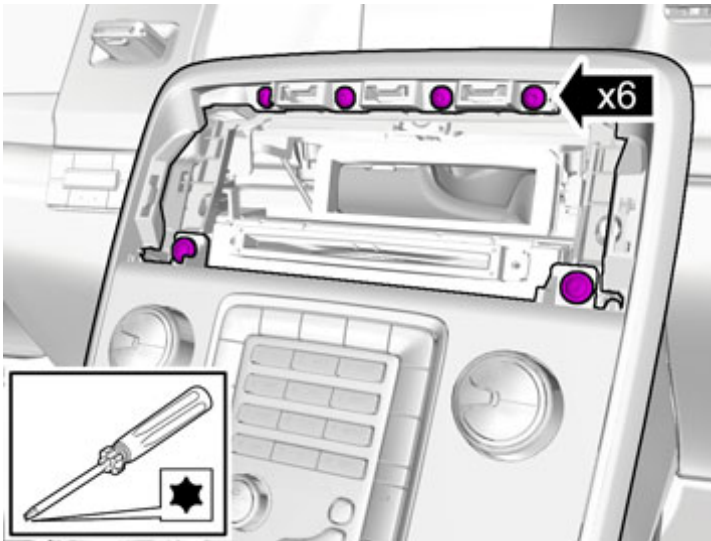
5



IMG-340590

Disconnect the connector.

6



IMG-340589

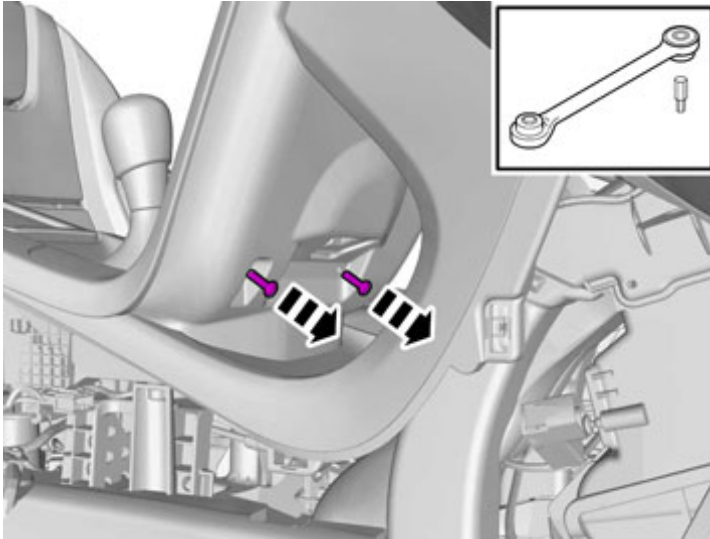
Remove the screws.



Installation instructions, accessories

Volvo Car Corporation Gothenburg, Sweden

7

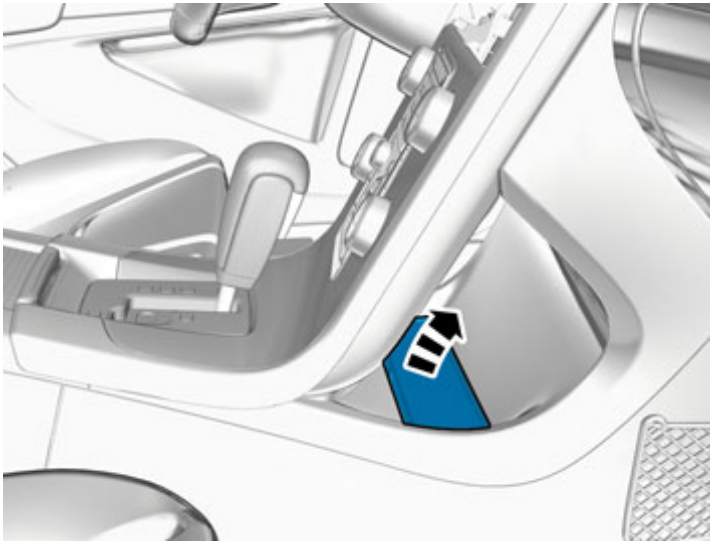


IMG-355818

Remove the screws.

Cars with automatic transmissions

8



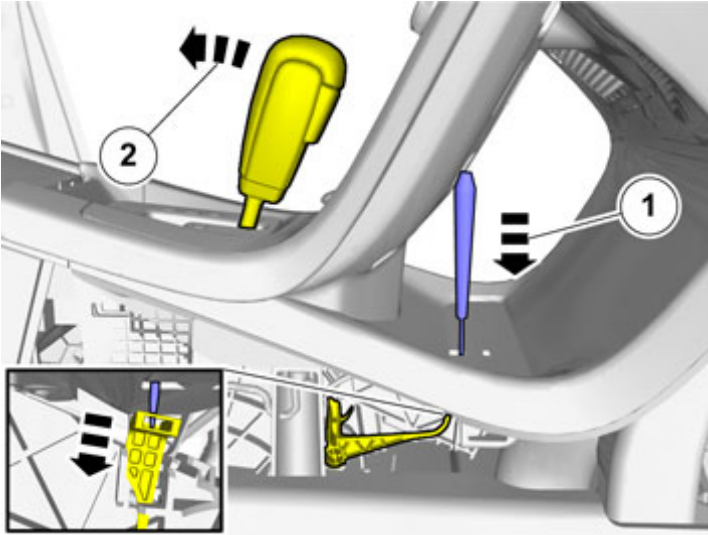
IMG-340596



Installation instructions, accessories

Volvo Car Corporation Gothenburg, Sweden

9

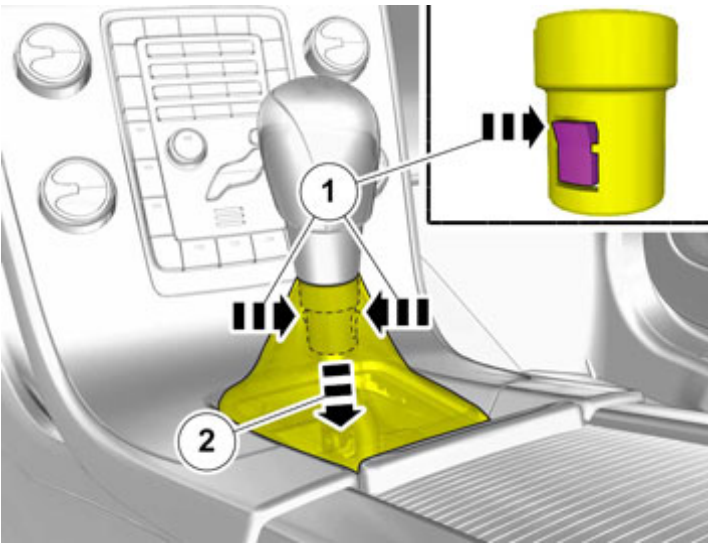


IMG-293007

Release the shift-lock function.

Cars with manual transmissions

10



IMG-354293

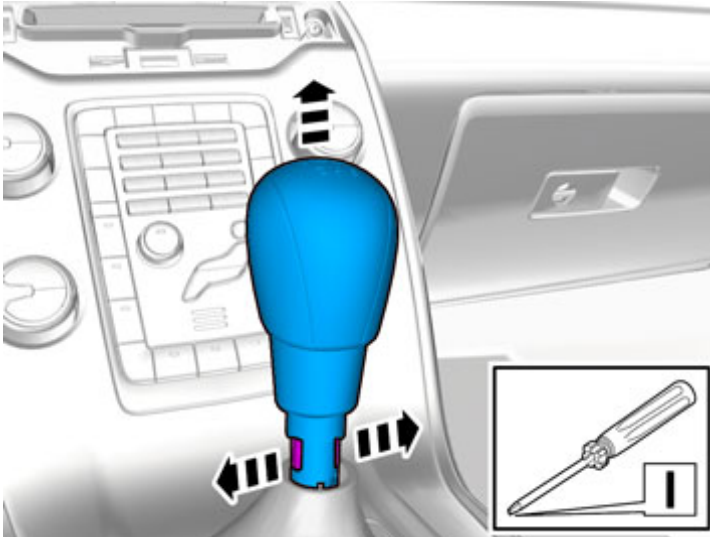
Release the catch which is located inside the gear lever boot.
Pull the locking sleeve and gear lever boot down. Take care so that the boot does not come loose from the lock ring.



Installation instructions, accessories

Volvo Car Corporation Gothenburg, Sweden

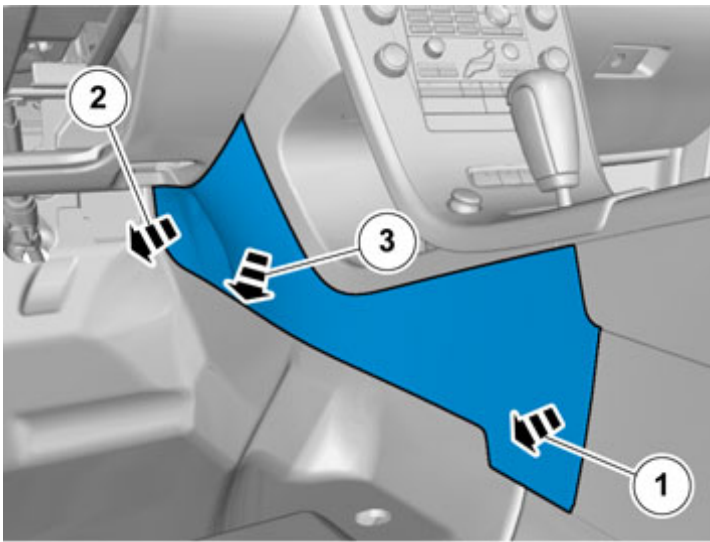
11



IMG-347222

All vehicles

12



IMG-292804

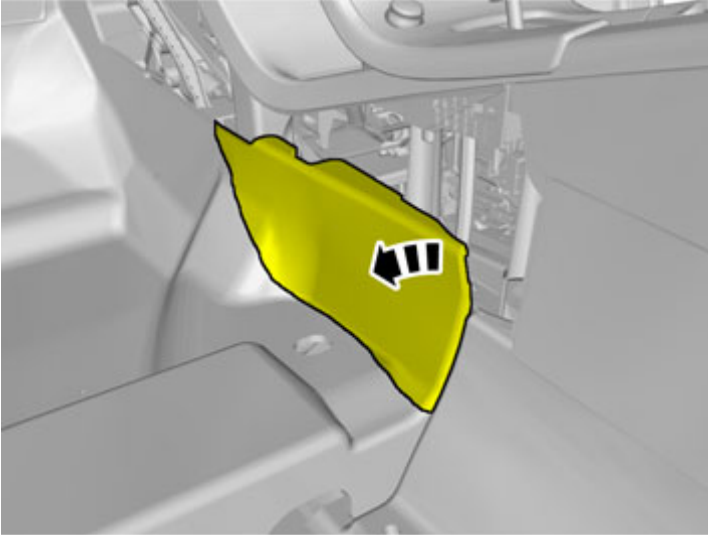
Remove the panel.



Installation instructions, accessories

Volvo Car Corporation Gothenburg, Sweden

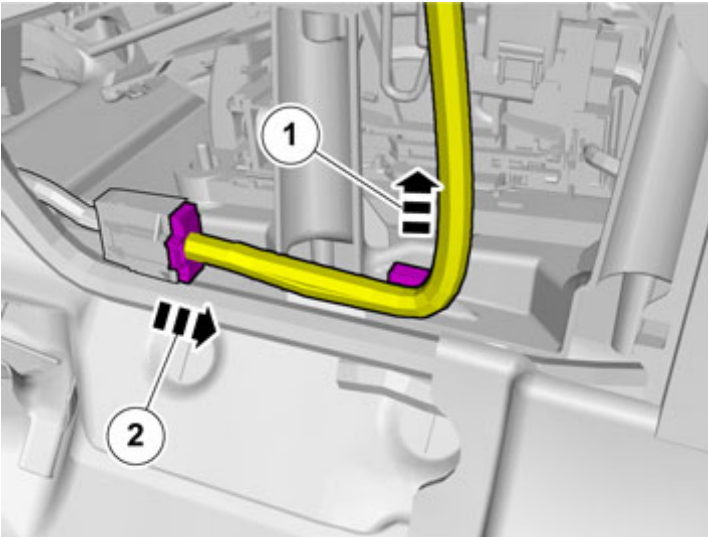
13



IMG-292806

Fold the carpet to the side.

14



IMG-292823

1. Unhook the cable harness clips.
2. Disconnect the connector.

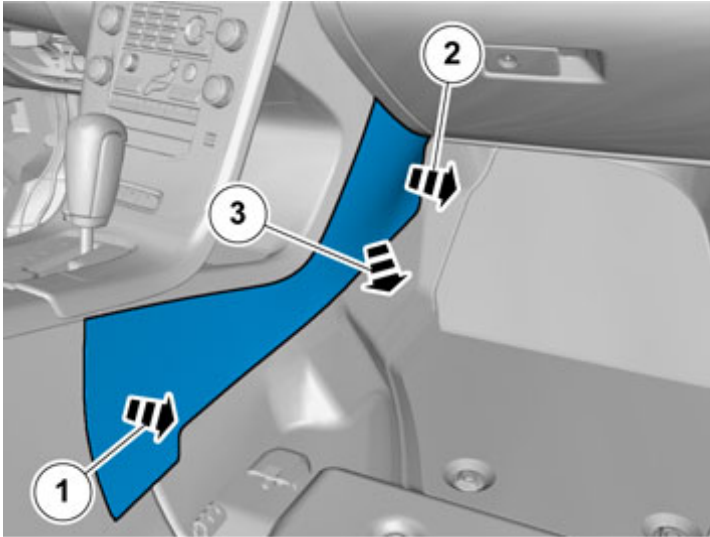
Vehicles with the 4C system.



Installation instructions, accessories

Volvo Car Corporation Gothenburg, Sweden

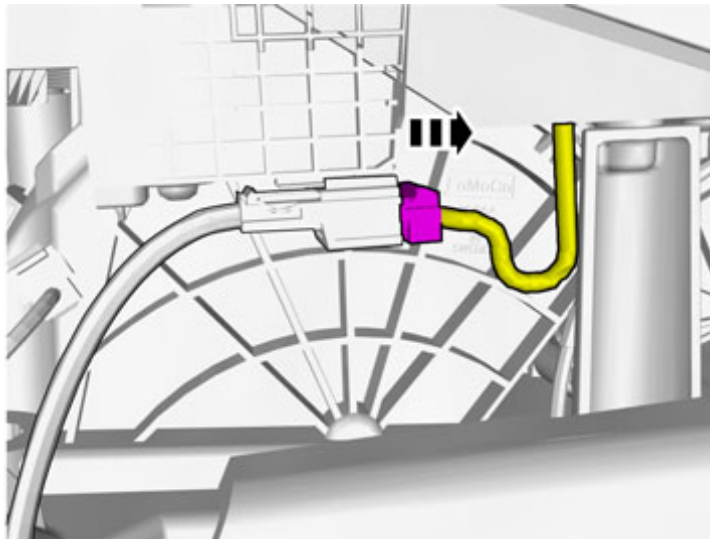
15



IMG-292826

Remove the panel.

16



IMG-292827

Disconnect the connector.

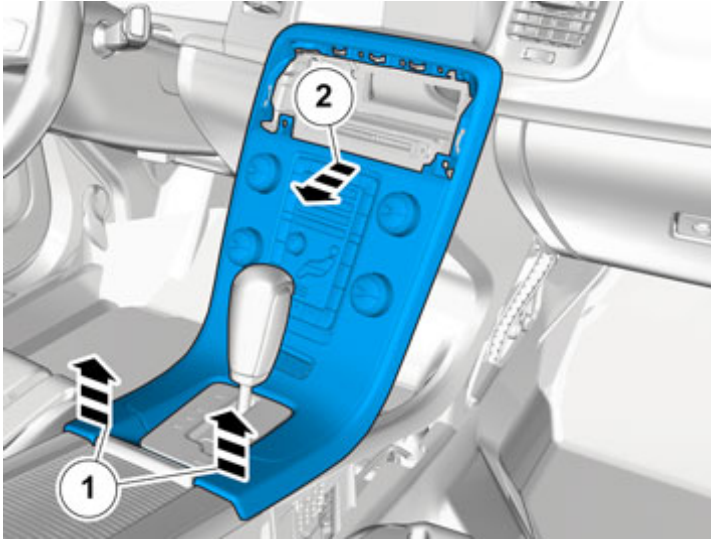
All vehicles



Installation instructions, accessories

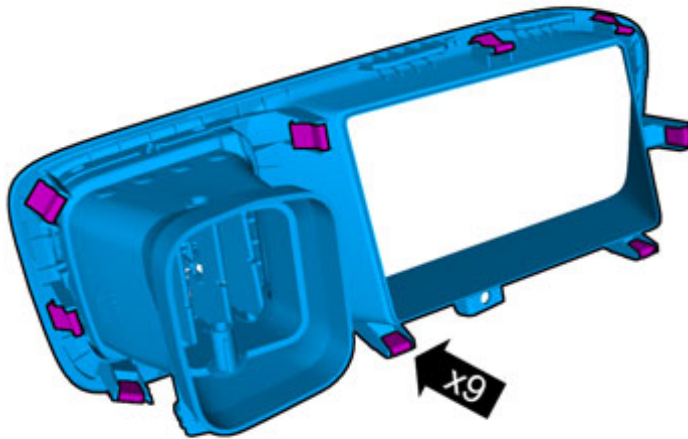
Volvo Car Corporation Gothenburg, Sweden

17



IMG-340981

18



IMG-360002

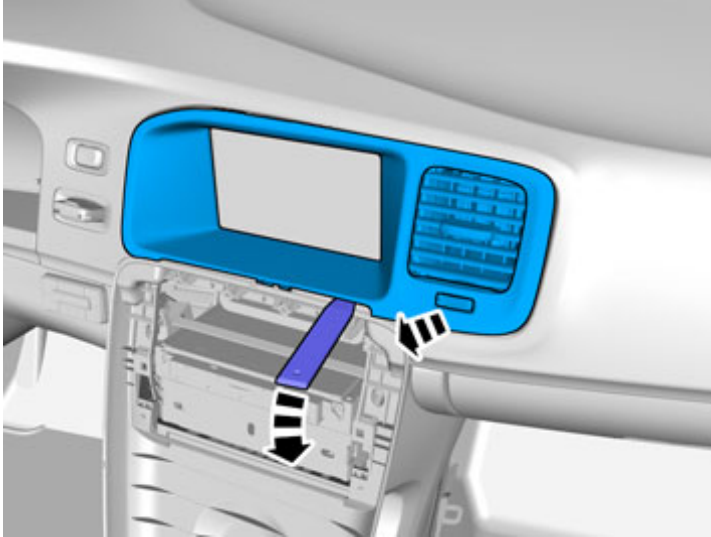
Note!
The graphic shows the back of the component before removal.



Installation instructions, accessories

Volvo Car Corporation Gothenburg, Sweden

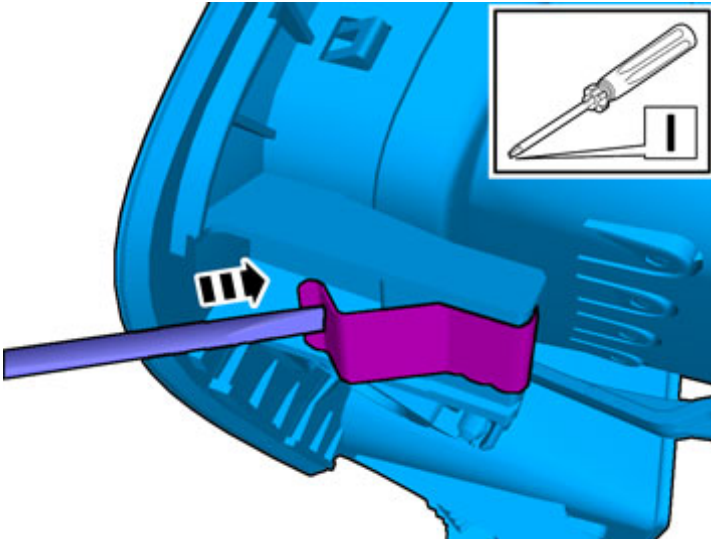
19



IMG-345114

Carefully pry loose the bottom edge of the panel and then continue around the panel.

20



IMG-360001

Use: Electrician's screwdriver



Installation instructions, accessories

Volvo Car Corporation Gothenburg, Sweden

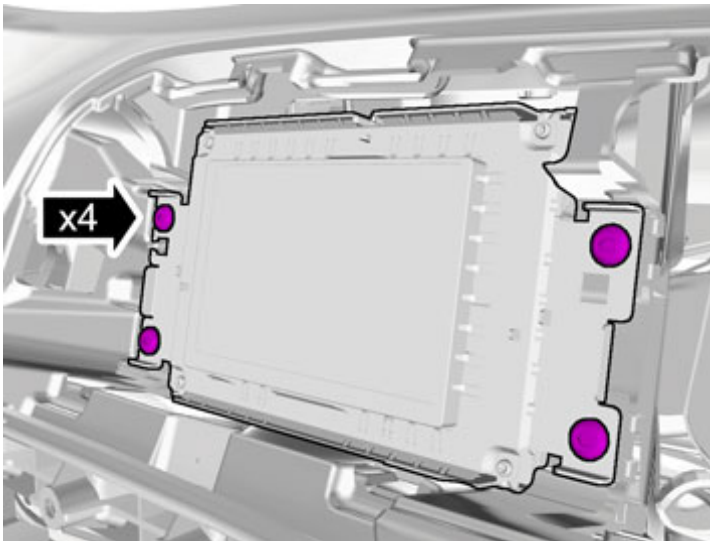
21



IMG-345115

The part is not to be reused.

22



IMG-341794

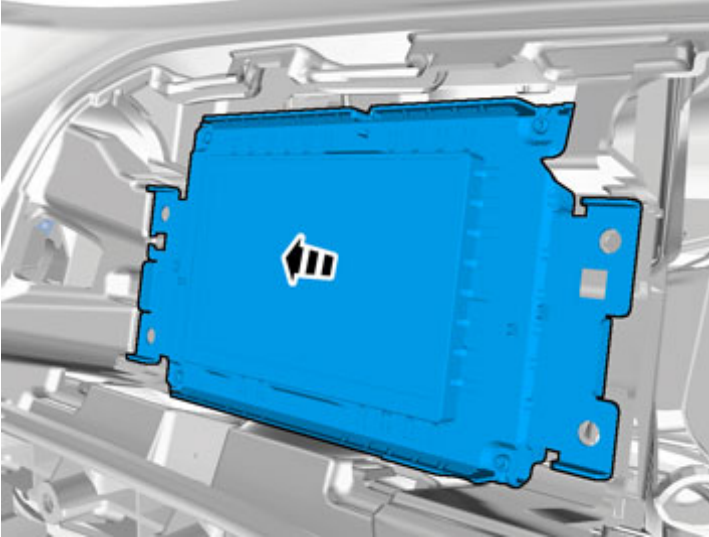
Remove the screws.



Installation instructions, accessories

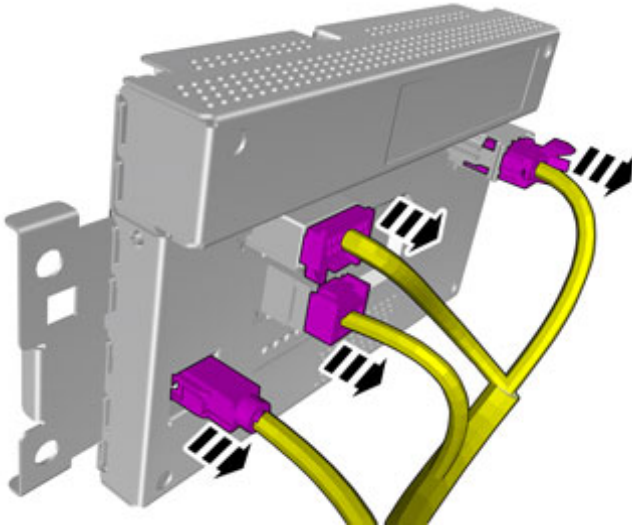
Volvo Car Corporation Gothenburg, Sweden

23



IMG-341795

24



IMG-346175

Disconnect the connectors.
The part is not to be reused.

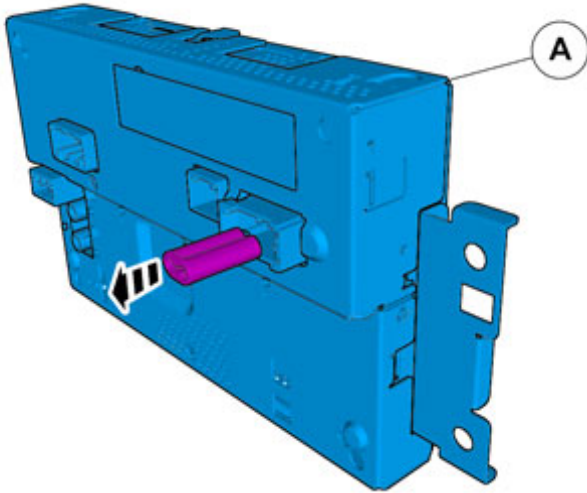
Accessory installation



Installation instructions, accessories

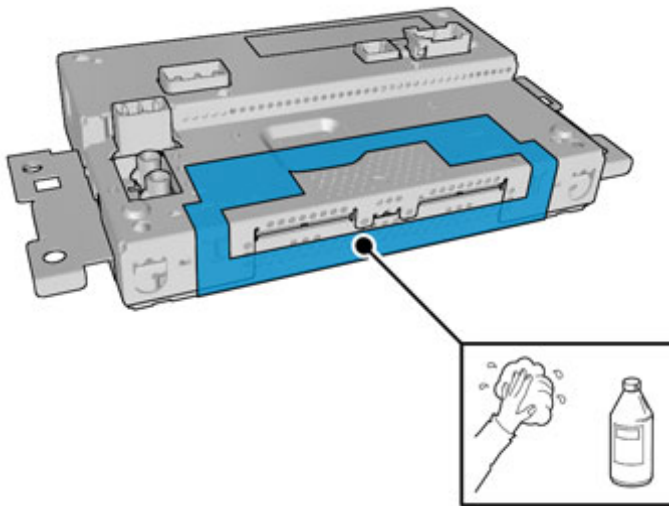
Volvo Car Corporation Gothenburg, Sweden

25



IMG-370400

26



IMG-370423

Clean the surface.

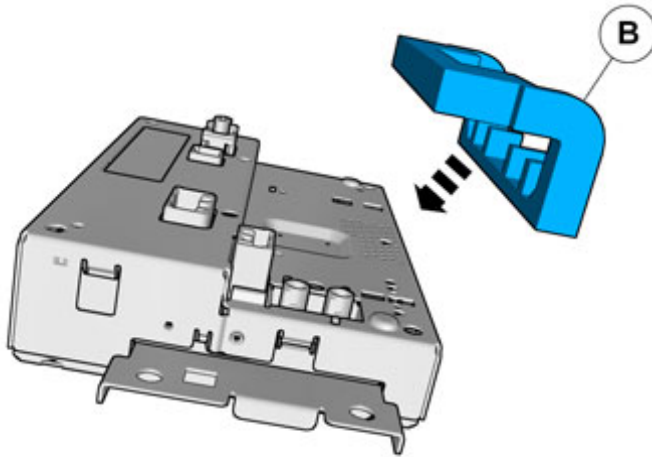
Use: 1161721, Isopropanol



Installation instructions, accessories

Volvo Car Corporation Gothenburg, Sweden

27

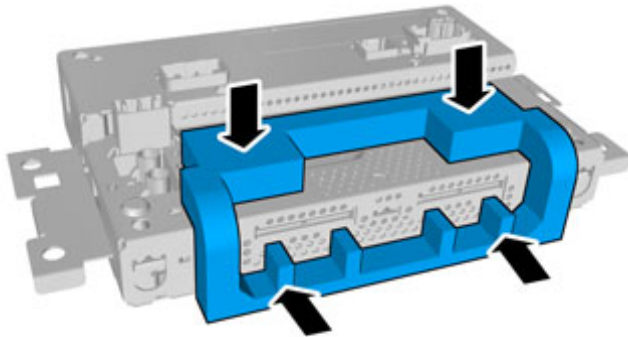


Remove the protective film.

Install component that comes with the accessory kit.

IMG-370424

28



Note!

Ensure that the tape is fixed to the surface.

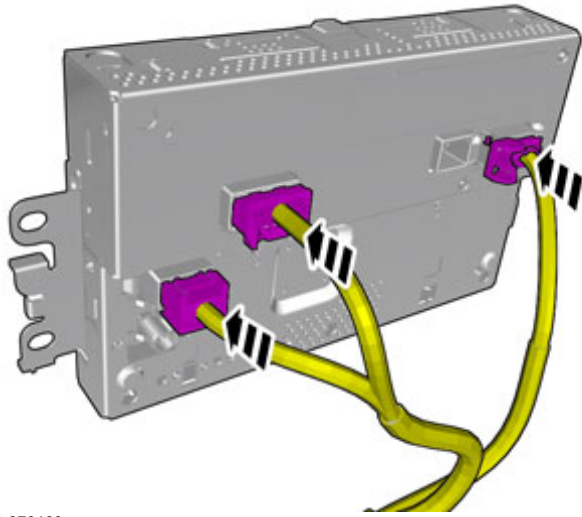
IMG-370425



Installation instructions, accessories

Volvo Car Corporation Gothenburg, Sweden

29



IMG-379160

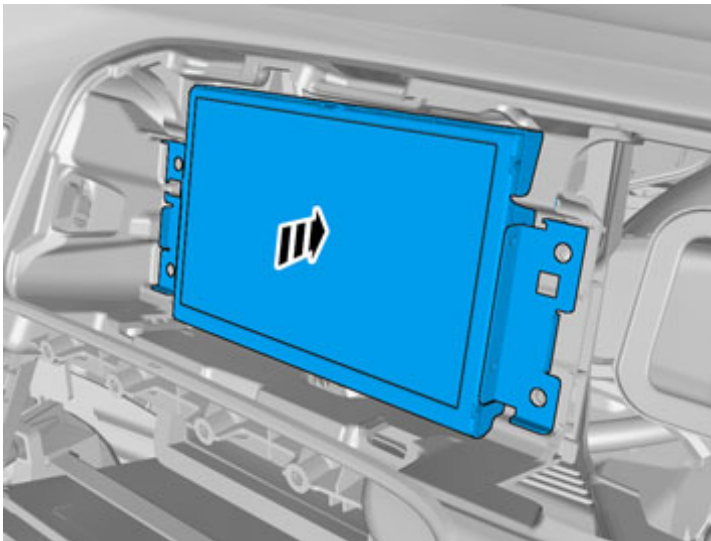
Note!

The number of connectors may vary depending on the vehicle's equipment level.

Connect the prerouted cable.

Connect the connectors.

30



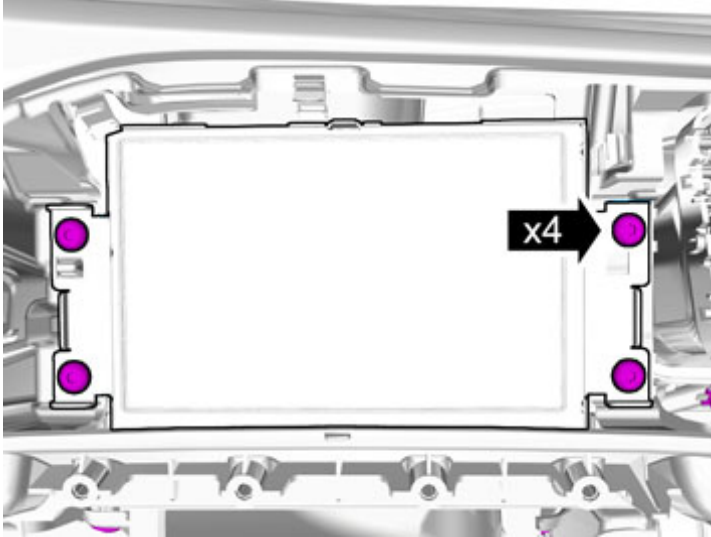
IMG-370742



Installation instructions, accessories

Volvo Car Corporation Gothenburg, Sweden

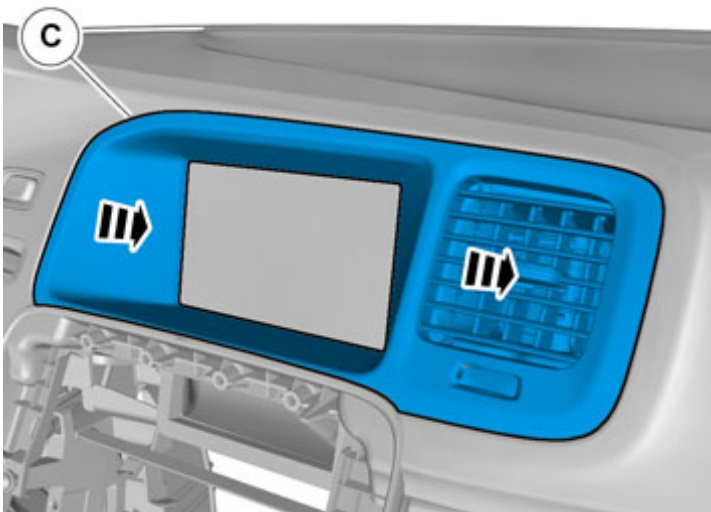
31



IMG-341801

Reinstall the screws.

32



IMG-379163

Install component that comes with the accessory kit.

Installation



Installation instructions, accessories

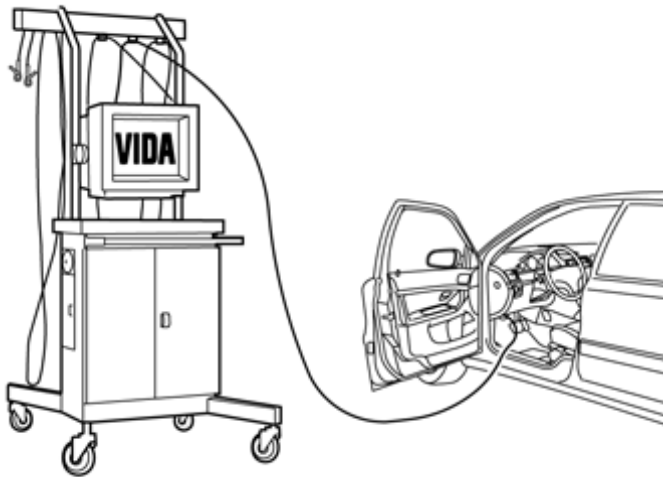
Volvo Car Corporation Gothenburg, Sweden

33

Reinstall the removed parts in reverse order.

IMG-377070

34



IMG-242268

Download software (application) for the accessory's function according to the service information in VIDA.

Order and download software according to: 31339812