

Installation instructions, accessories

Volvo Car Corporation Gothenburg, Sweden

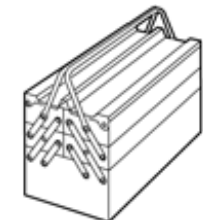
Instruction No 31470143 **Version** 1.0 **Part. No.** 32353295, 31664528, 31664529

Luggage compartment sill moulding

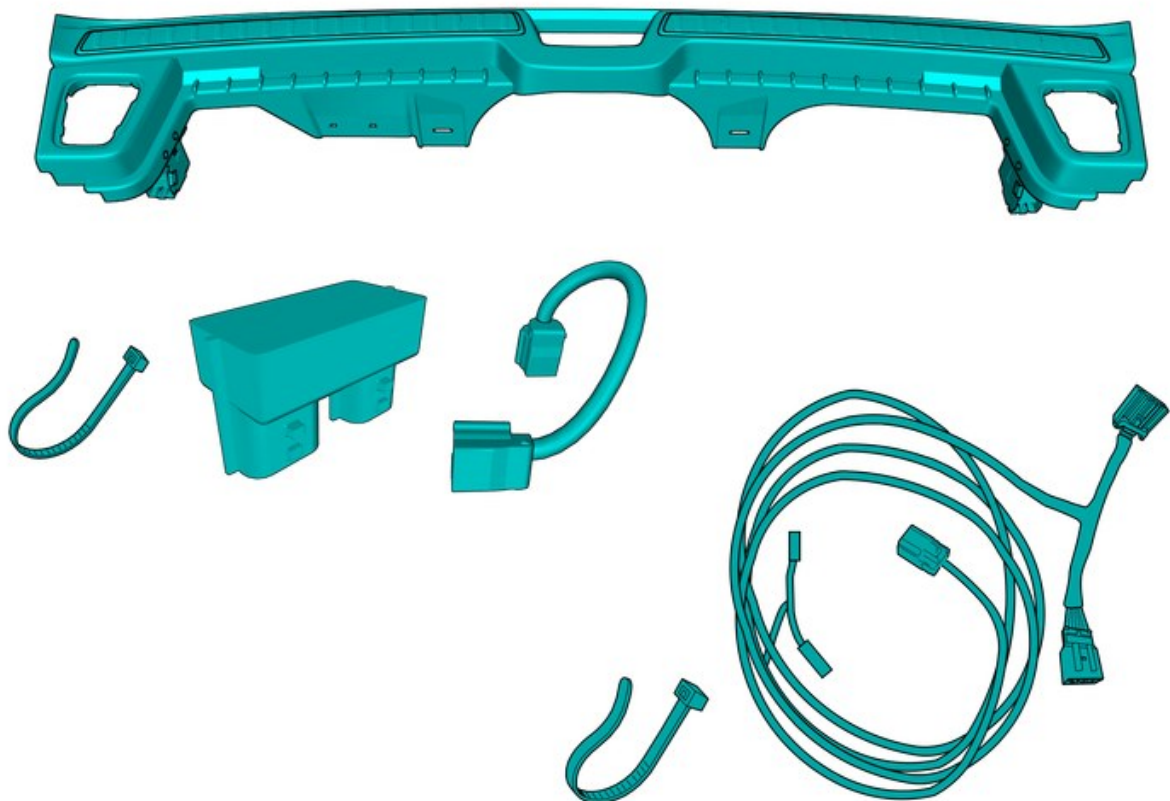
Special tools

951 2943 L-hook
Tool number:951 2943
Tool description:L-hook
Tool boards:80

Equipment



Nm
lbf.ft



IMG-444142

Installation instructions, accessories

Volvo Car Corporation Gothenburg, Sweden

Installation instructions, accessories

Volvo Car Corporation Gothenburg, Sweden

Information

1

Read through all of the instructions before starting installation.

Notifications and warning texts are for your safety and to minimise the risk of something breaking during installation.

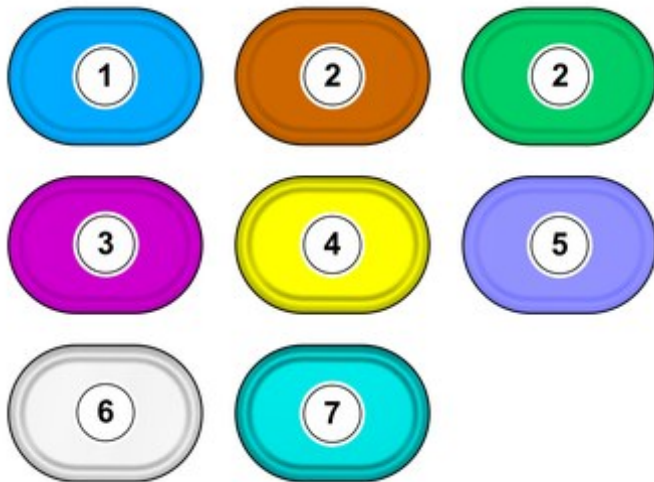
Ensure that all tools stated in the instructions are available before starting installation.

Certain steps in the instructions are only presented in the form of images. Explanatory text is also given for more complicated steps.

In the event of any problems with the instructions or the accessory, contact your local Volvo dealer.

Color symbols

2



IMG-400010

Note!

This colour chart displays (in colour print and electronic version) the importance of the different colours used in the images of the method steps.

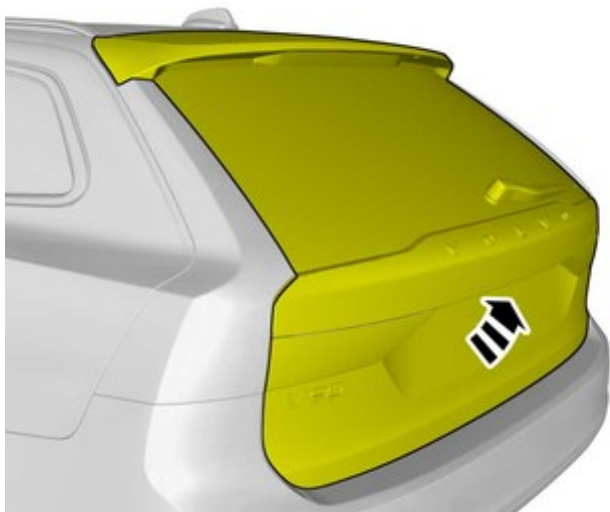
1. Used for focused component, the component with which you will do something.
 2. Used as extra colors when you need to show or differentiate additional parts.
 3. Used for attachments that are to be removed/installed. May be screws, clips, connectors, etc.
 4. Used when the component is not fully removed from the vehicle but only hung to the side.
 5. Used for standard tools and special tools.
 6. Used as background color for vehicle components.
 7. Used for accessory components.
-

Removal

Installation instructions, accessories

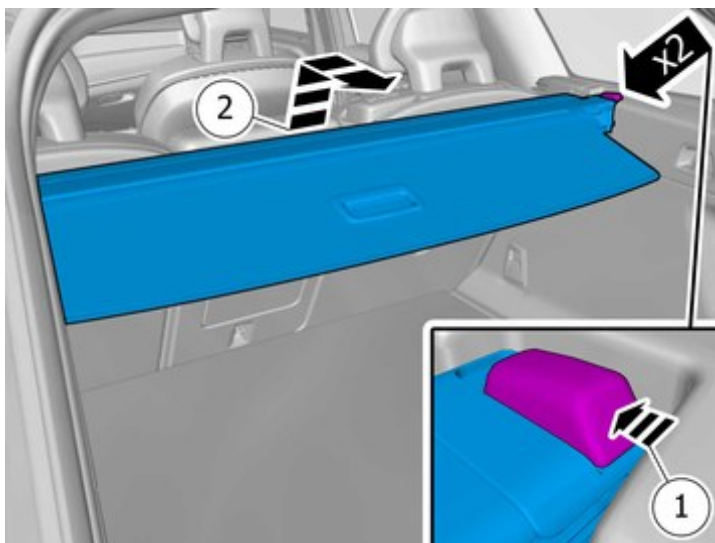
Volvo Car Corporation Gothenburg, Sweden

3



IMG-407110

4



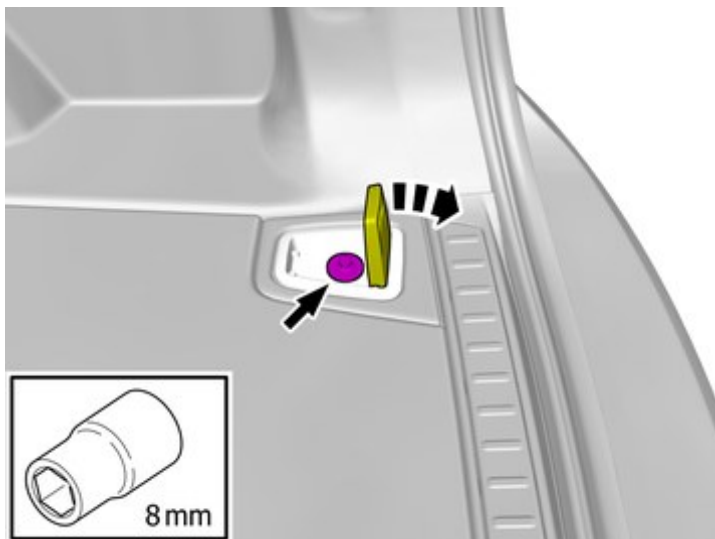
IMG-414611

Remove the marked part.

Installation instructions, accessories

Volvo Car Corporation Gothenburg, Sweden

5



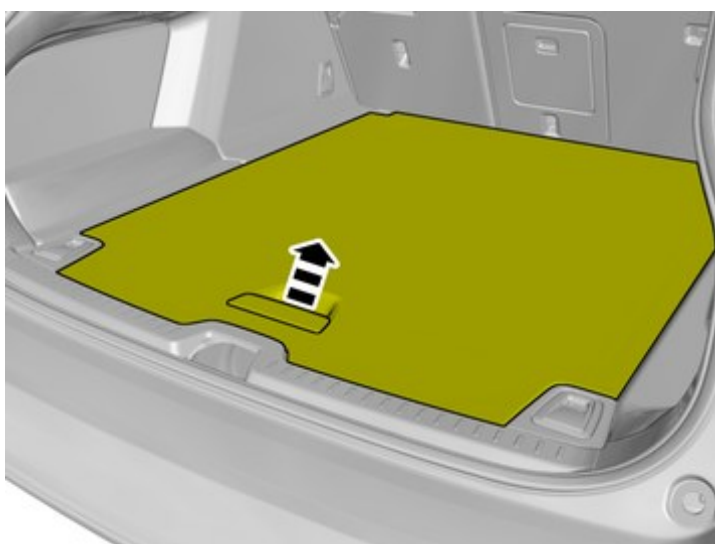
IMG-442520

Remove the screw.

Tightening torque: Cargo anchor, to body , 13 Nm

Repeat on the other side.

6



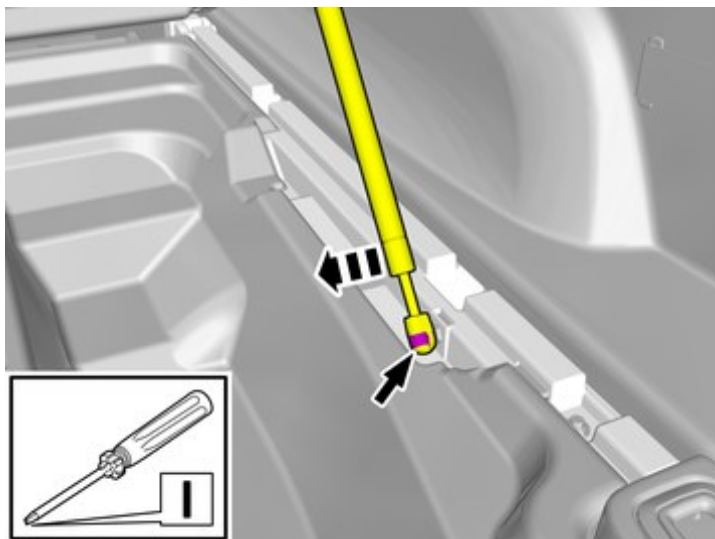
IMG-425191

Lift the marked component up

Installation instructions, accessories

Volvo Car Corporation Gothenburg, Sweden

7

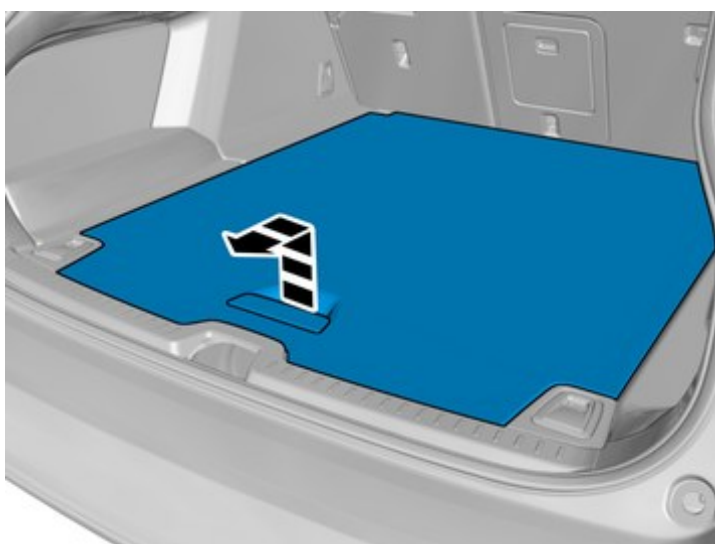


IMG-444975

Release the lock.

Loosen the marked detail.

8



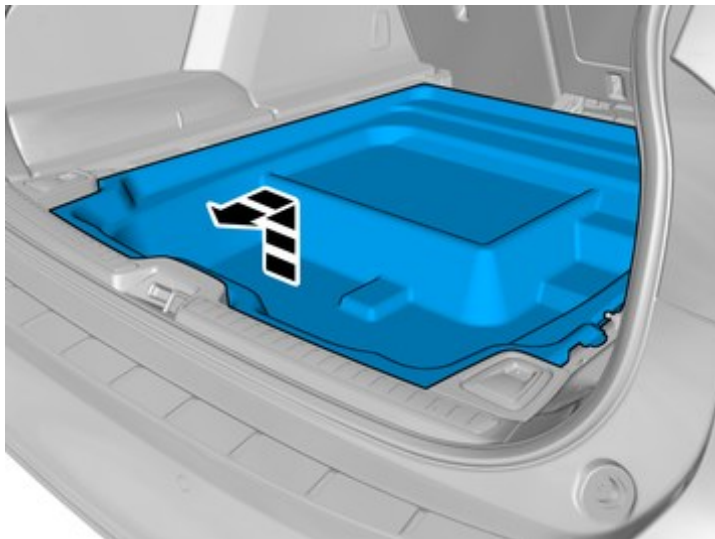
IMG-425190

Remove the marked part.

Installation instructions, accessories

Volvo Car Corporation Gothenburg, Sweden

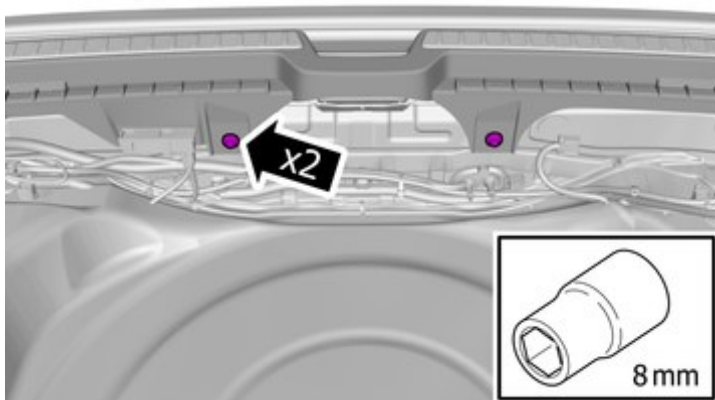
9



IMG-416087

Remove the marked part.

10



IMG-415835

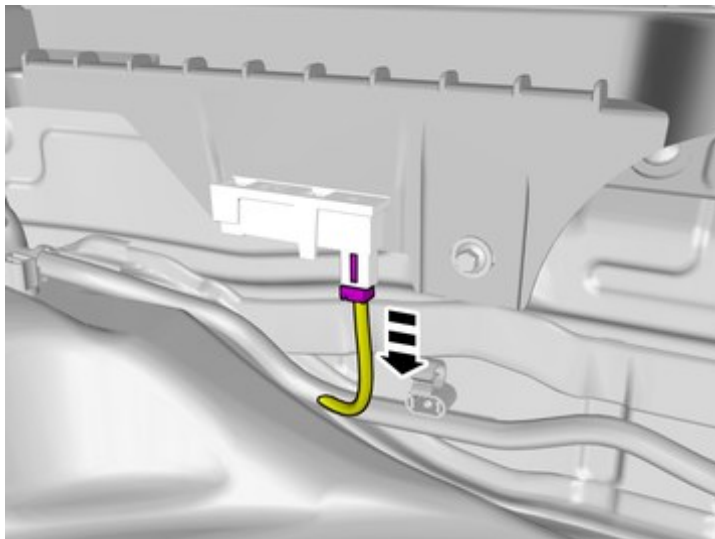
Remove the screws.

Vehicles with keyless entry

Installation instructions, accessories

Volvo Car Corporation Gothenburg, Sweden

11

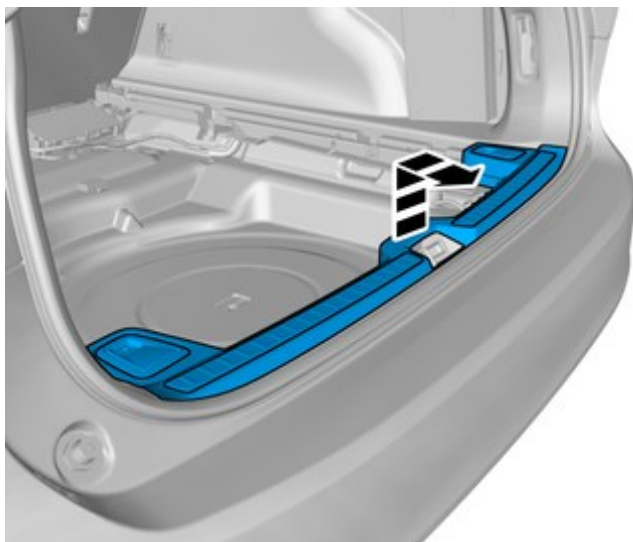


IMG-444969

Disconnect the connector.

All vehicles

12



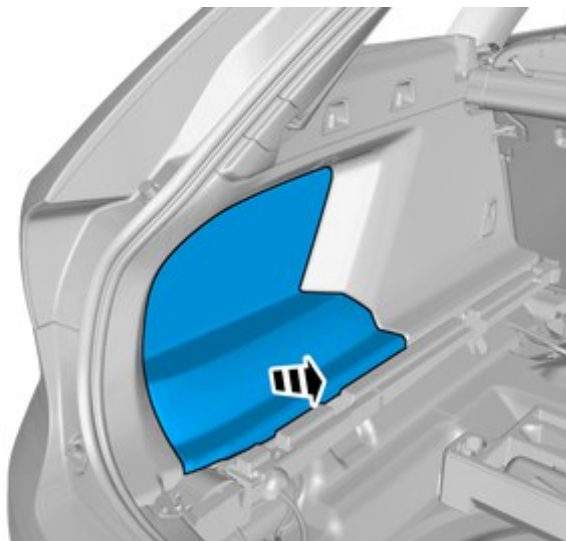
IMG-416089

Remove the marked part.

Installation instructions, accessories

Volvo Car Corporation Gothenburg, Sweden

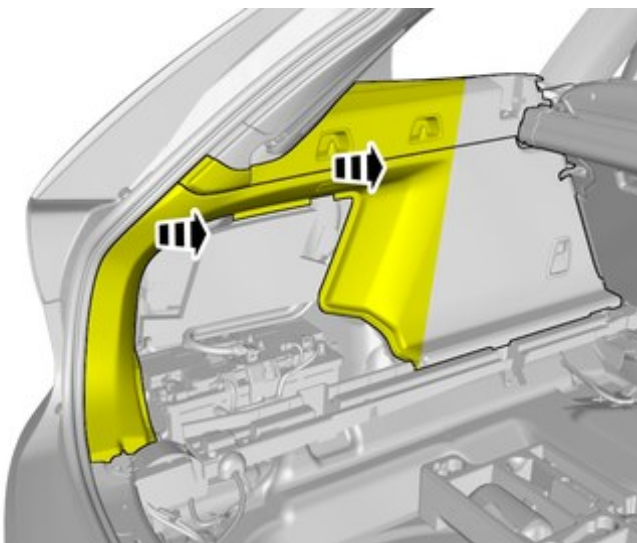
13



IMG-444983

Remove the marked part.

14

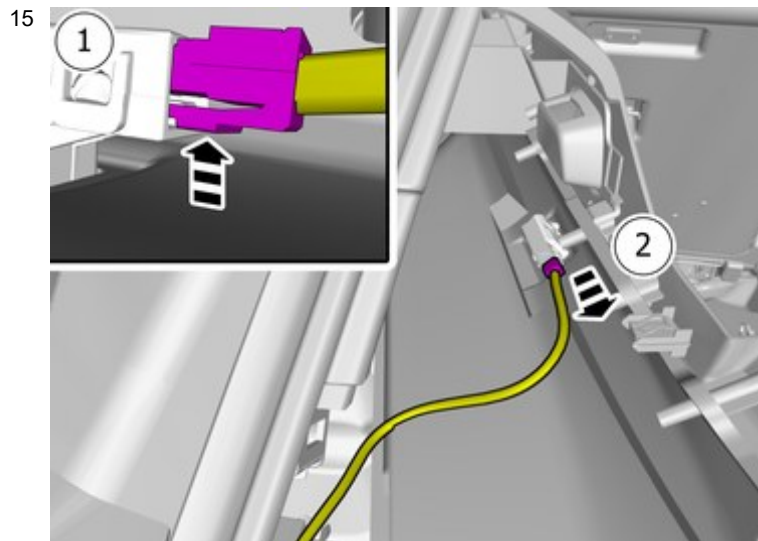


IMG-444986

Detach the panel.

Installation instructions, accessories

Volvo Car Corporation Gothenburg, Sweden

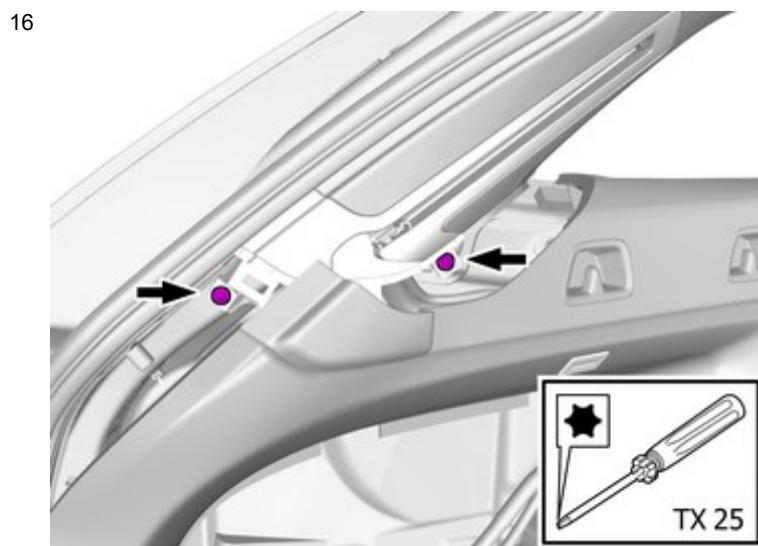


IMG-444995

Release the lock.

Use special tool: T9512943, L-hook

Disconnect the connector.



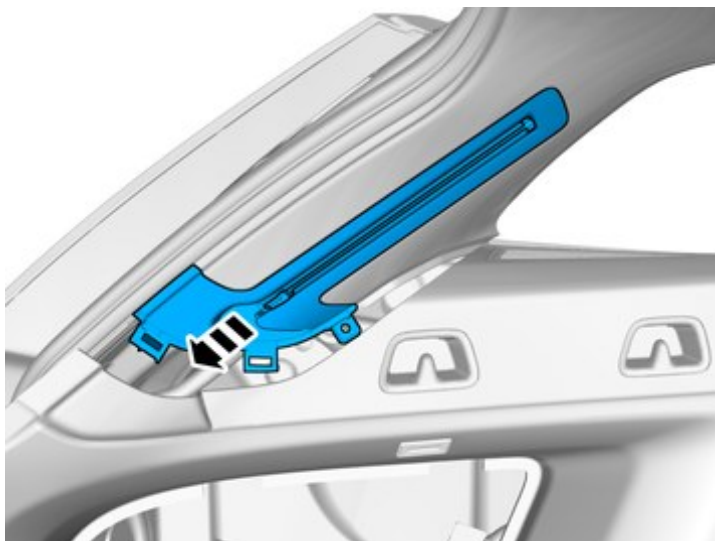
IMG-445020

Remove the screws.

Installation instructions, accessories

Volvo Car Corporation Gothenburg, Sweden

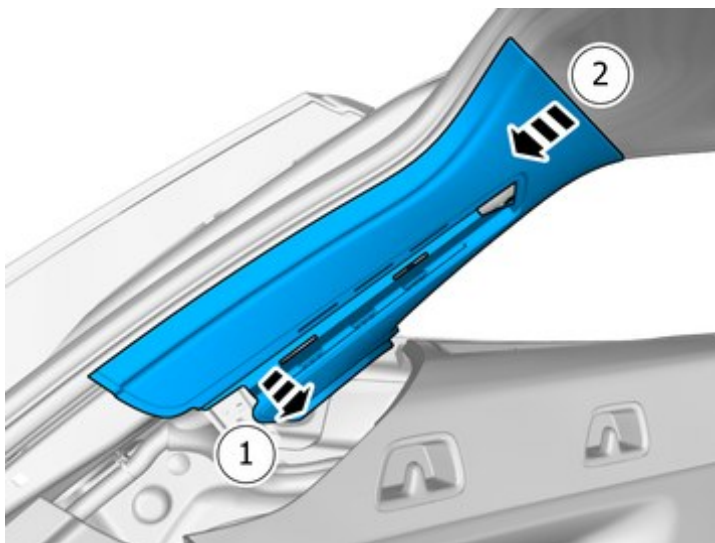
17



IMG-445021

Remove the marked part.

18



IMG-445022

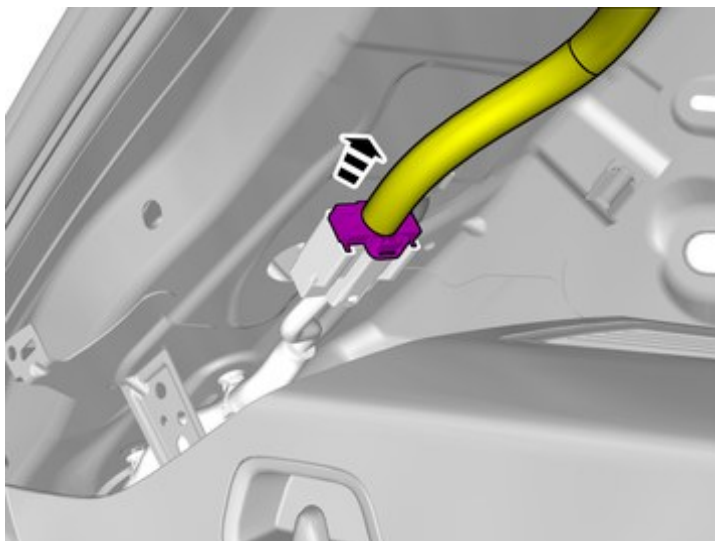
Remove the panel.

Accessory installation

Installation instructions, accessories

Volvo Car Corporation Gothenburg, Sweden

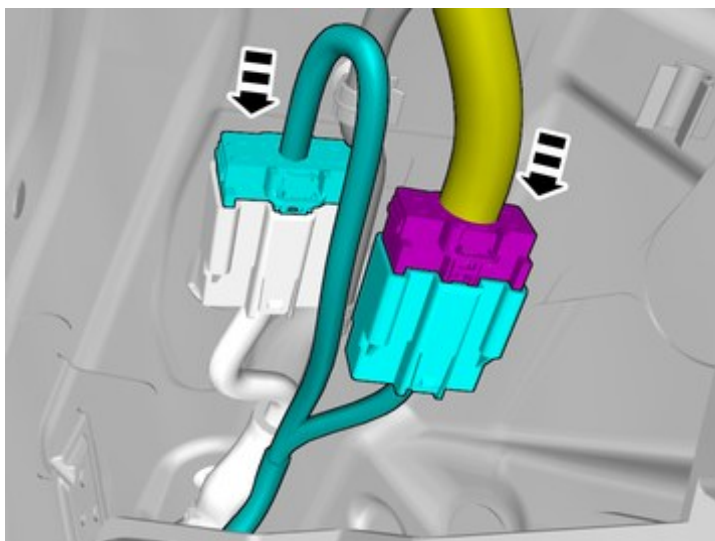
19



IMG-445040

Disconnect the connector.

20



IMG-445065

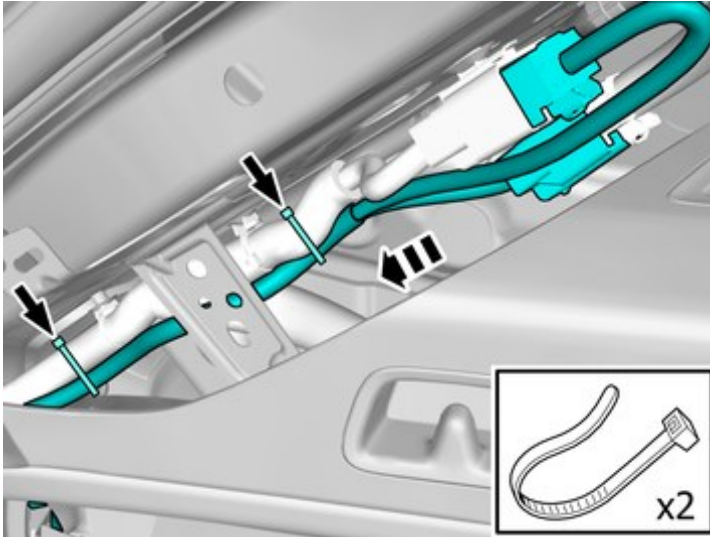
Install component that comes with the accessory kit.

Connect the connectors.

Installation instructions, accessories

Volvo Car Corporation Gothenburg, Sweden

21



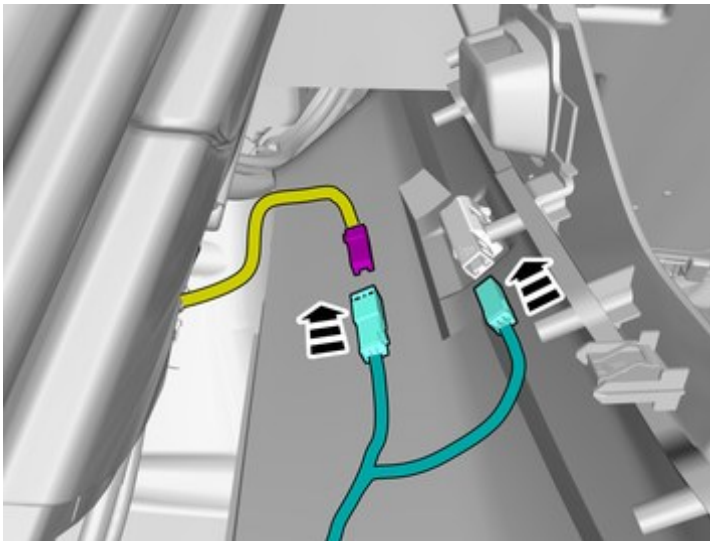
IMG-445162

Route the wires adjacent to existing wirings.

Install the cable.

Use a cable tie

22



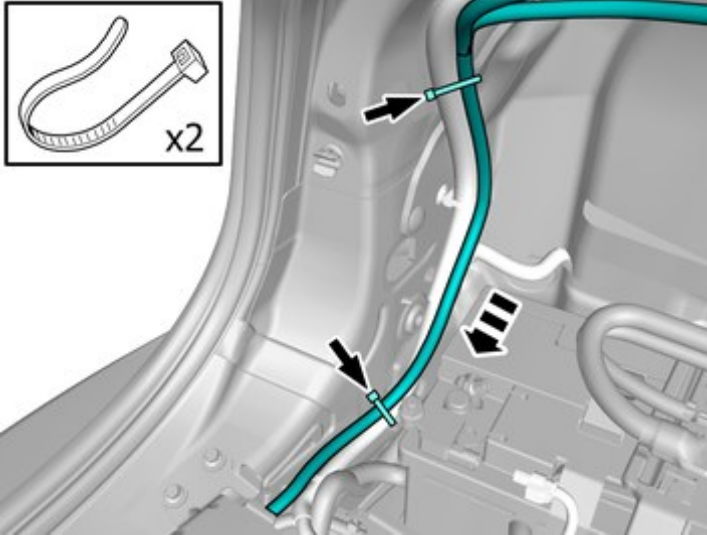
IMG-445106

Connect the connectors.

Installation instructions, accessories

Volvo Car Corporation Gothenburg, Sweden

23



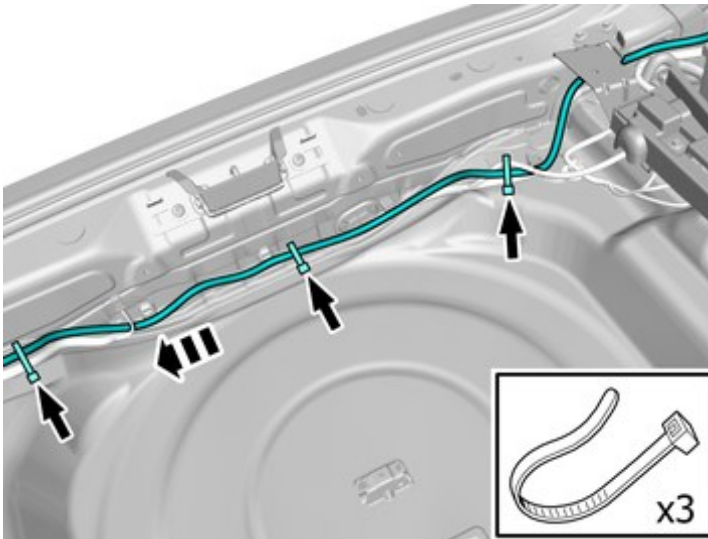
IMG-445171

Route the wire adjacent to existing wirings.

Install the cable.

Use a cable tie

24



IMG-445174

Route the wire adjacent to existing wirings.

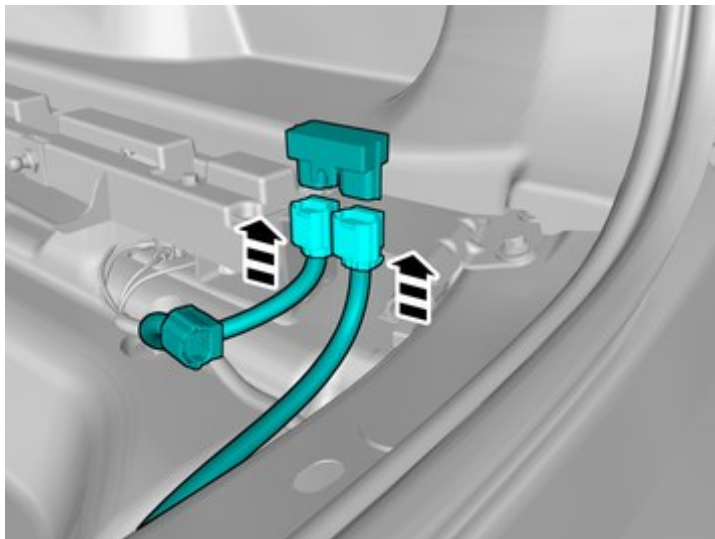
Install the cable.

Use a cable tie

Installation instructions, accessories

Volvo Car Corporation Gothenburg, Sweden

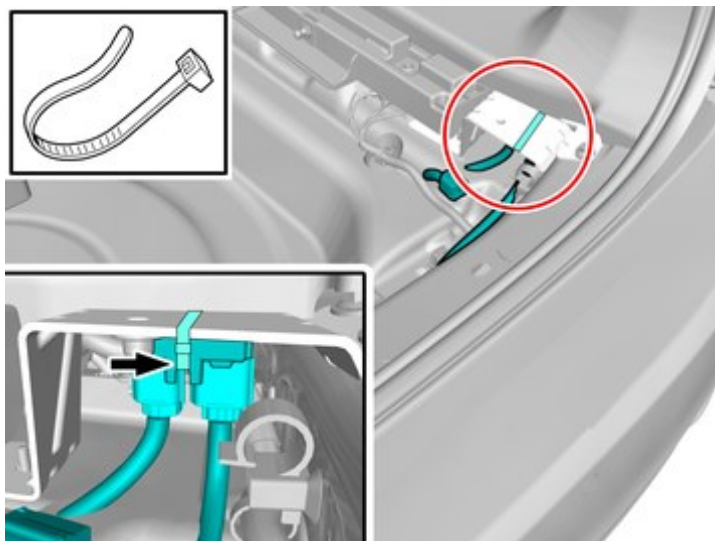
25



IMG-442521

Install components that come with the accessory kit.

26



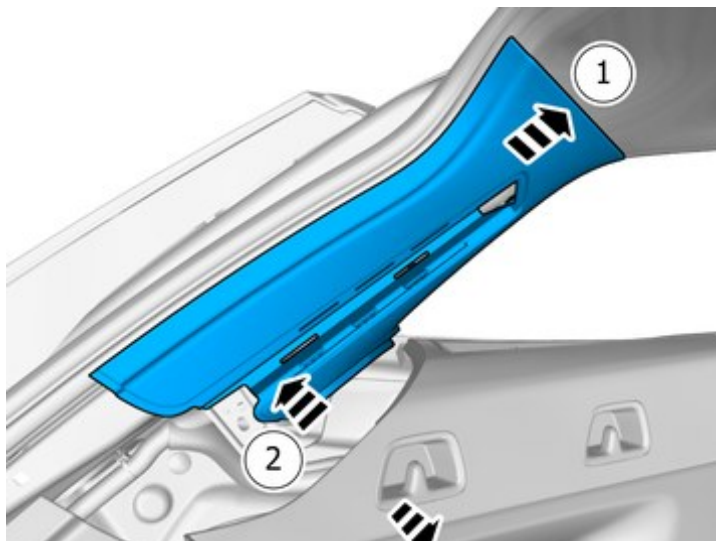
IMG-442522

Installation

Installation instructions, accessories

Volvo Car Corporation Gothenburg, Sweden

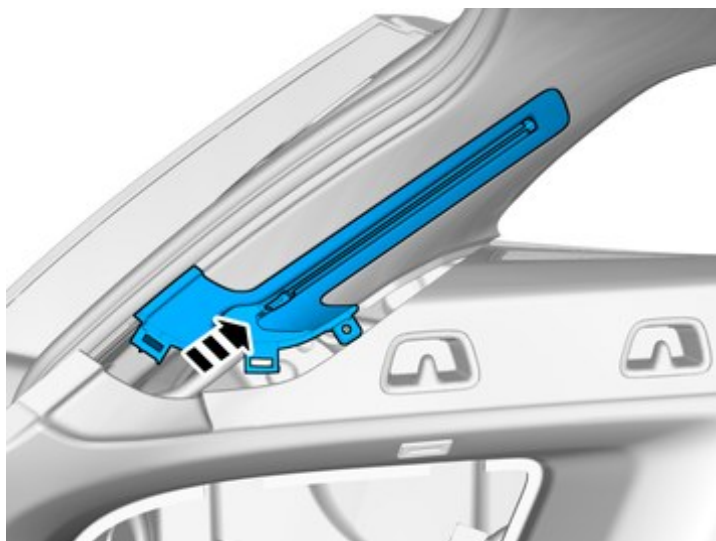
27



IMG-445024

Reinstall the removed part.

28



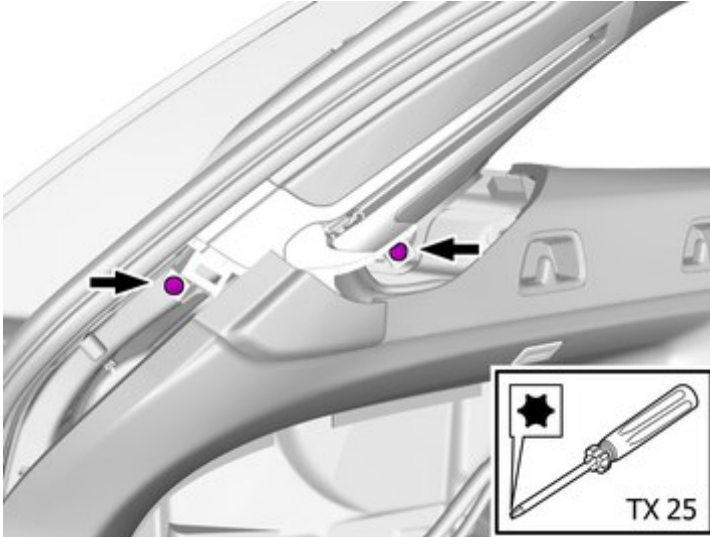
IMG-445025

Reinstall the removed part.

Installation instructions, accessories

Volvo Car Corporation Gothenburg, Sweden

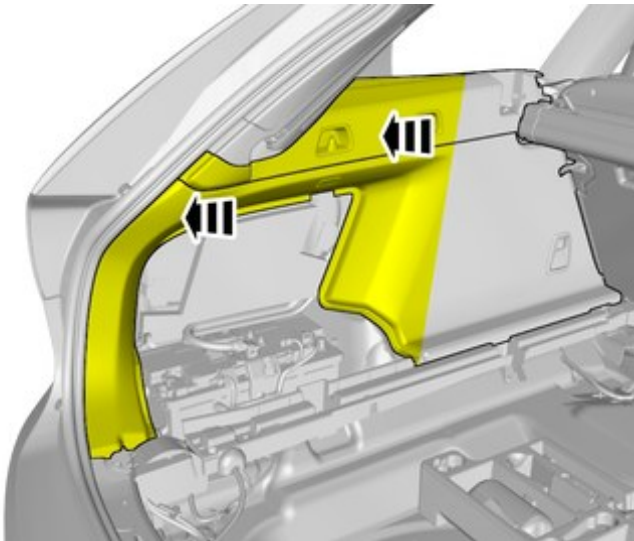
29



IMG-445020

Reinstall the screws.

30



IMG-445026

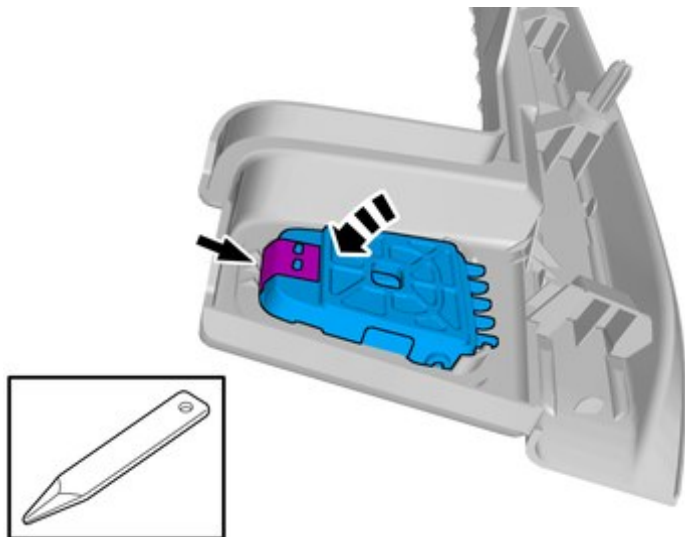
Install the panel.

Transferring components

Installation instructions, accessories

Volvo Car Corporation Gothenburg, Sweden

31

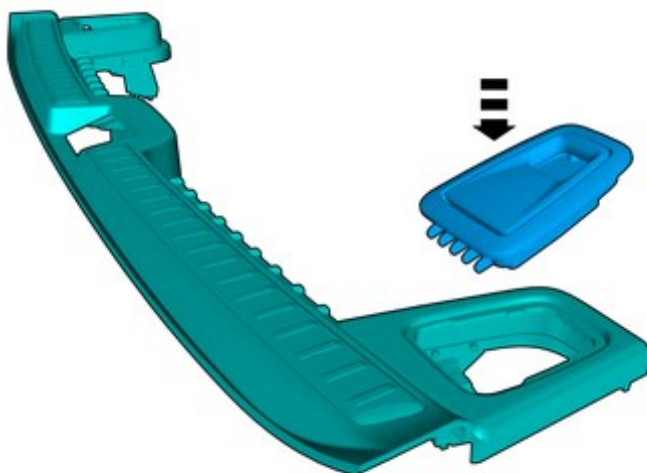


IMG-445185

Remove the marked part.

Repeat on the other side.

32



IMG-445186

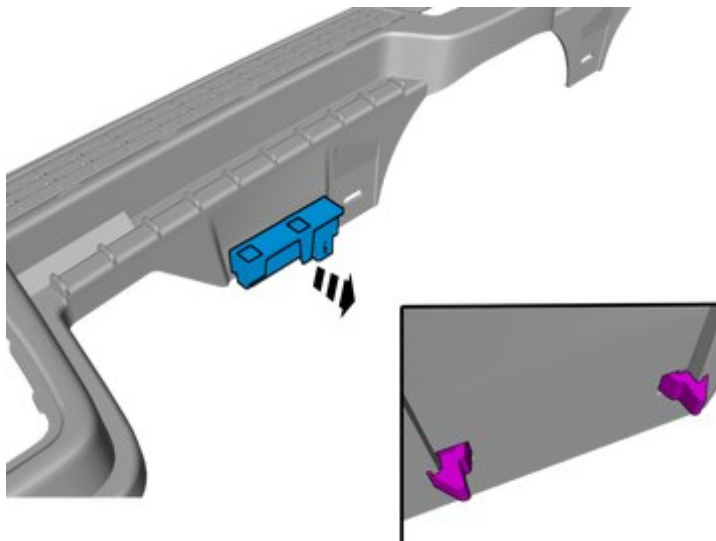
Install the marked component.

Repeat on the other side.

Installation instructions, accessories

Volvo Car Corporation Gothenburg, Sweden

33

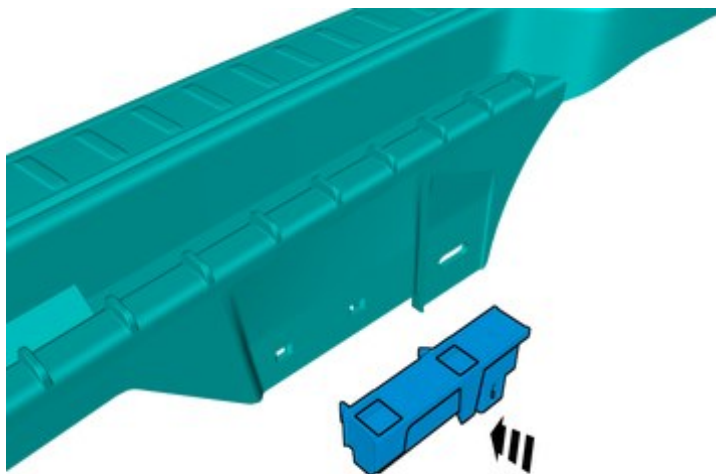


IMG-445188

Release the catches.

Remove the marked part.

34



IMG-445190

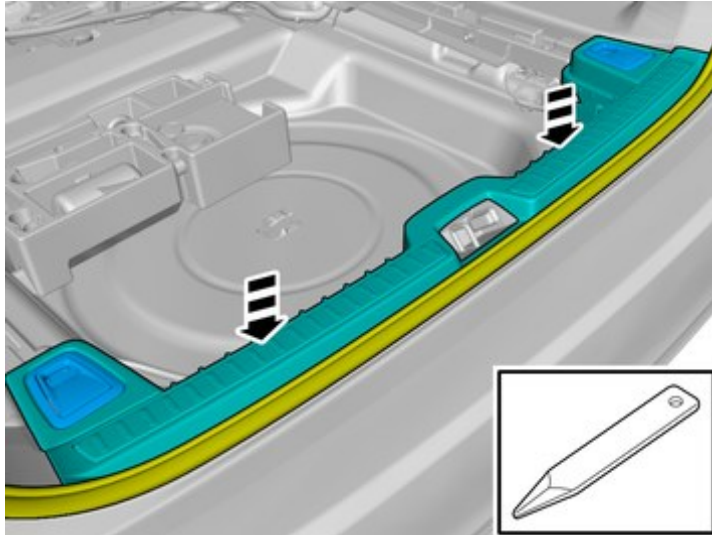
Install the marked component.

Accessory installation

Installation instructions, accessories

Volvo Car Corporation Gothenburg, Sweden

35



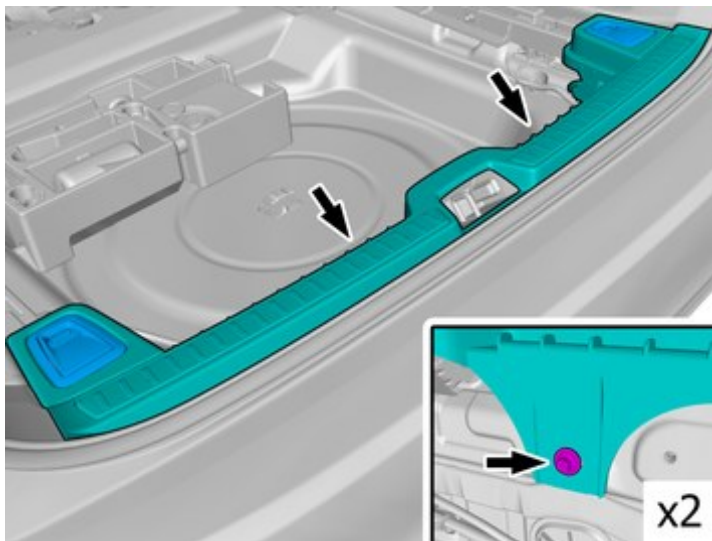
IMG-445195

Install the marked component.

Make sure that the weather strip goes on top of the panel.

Use: Interior trim remover

36



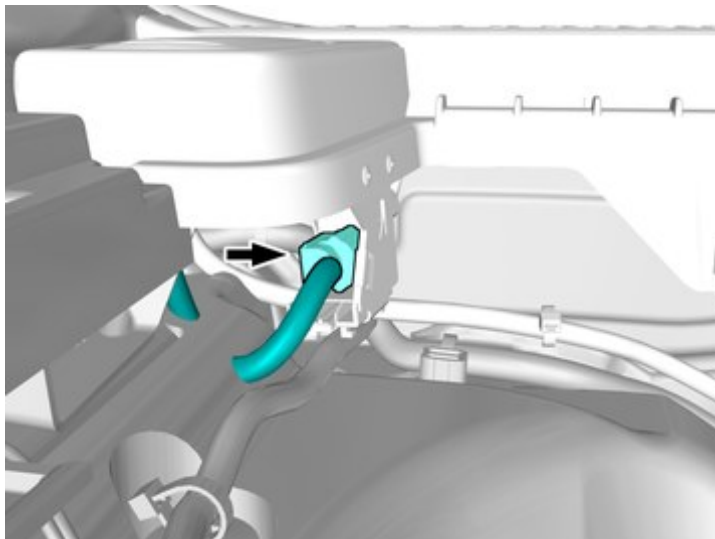
IMG-445198

Reinstall the screws.

Installation instructions, accessories

Volvo Car Corporation Gothenburg, Sweden

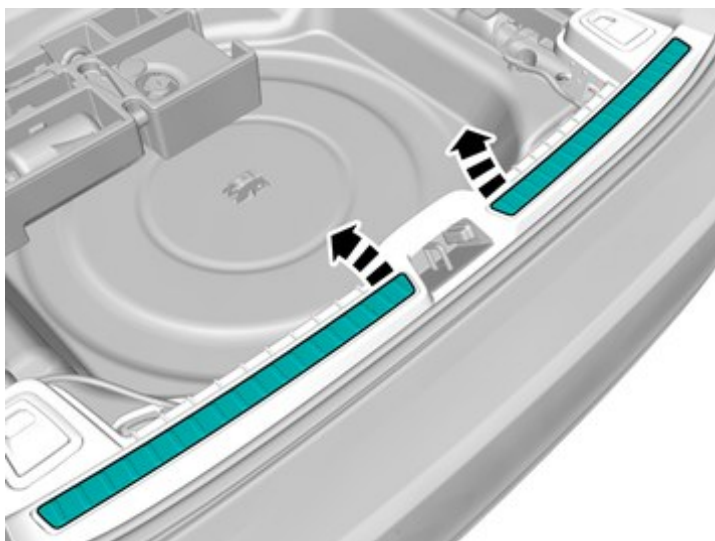
37



IMG-442524

Connect the connector.

38



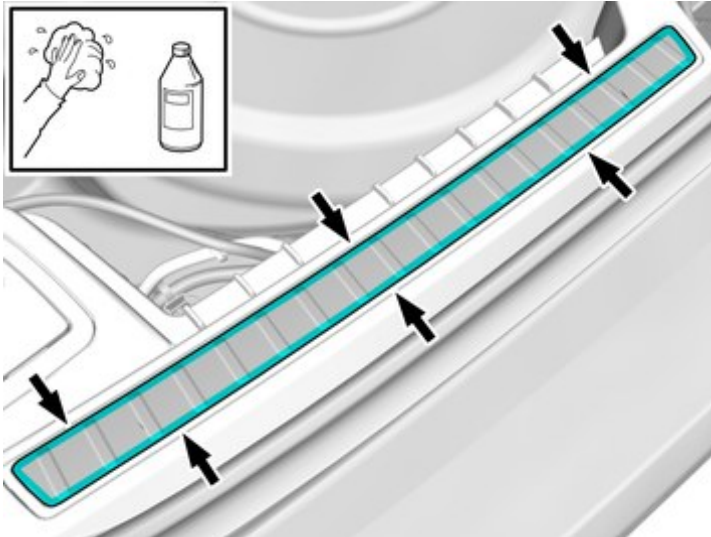
IMG-442430

Remove the protective film.

Installation instructions, accessories

Volvo Car Corporation Gothenburg, Sweden

39



IMG-442435

Remove any traces of glue.

Använd en blandning av 50% Volvo koncentrerad spolarvätska och 50% vatten.

Repeat on the other side.

Installation

40

Reinstall the removed parts in reverse order.