

# Installation instructions, accessories

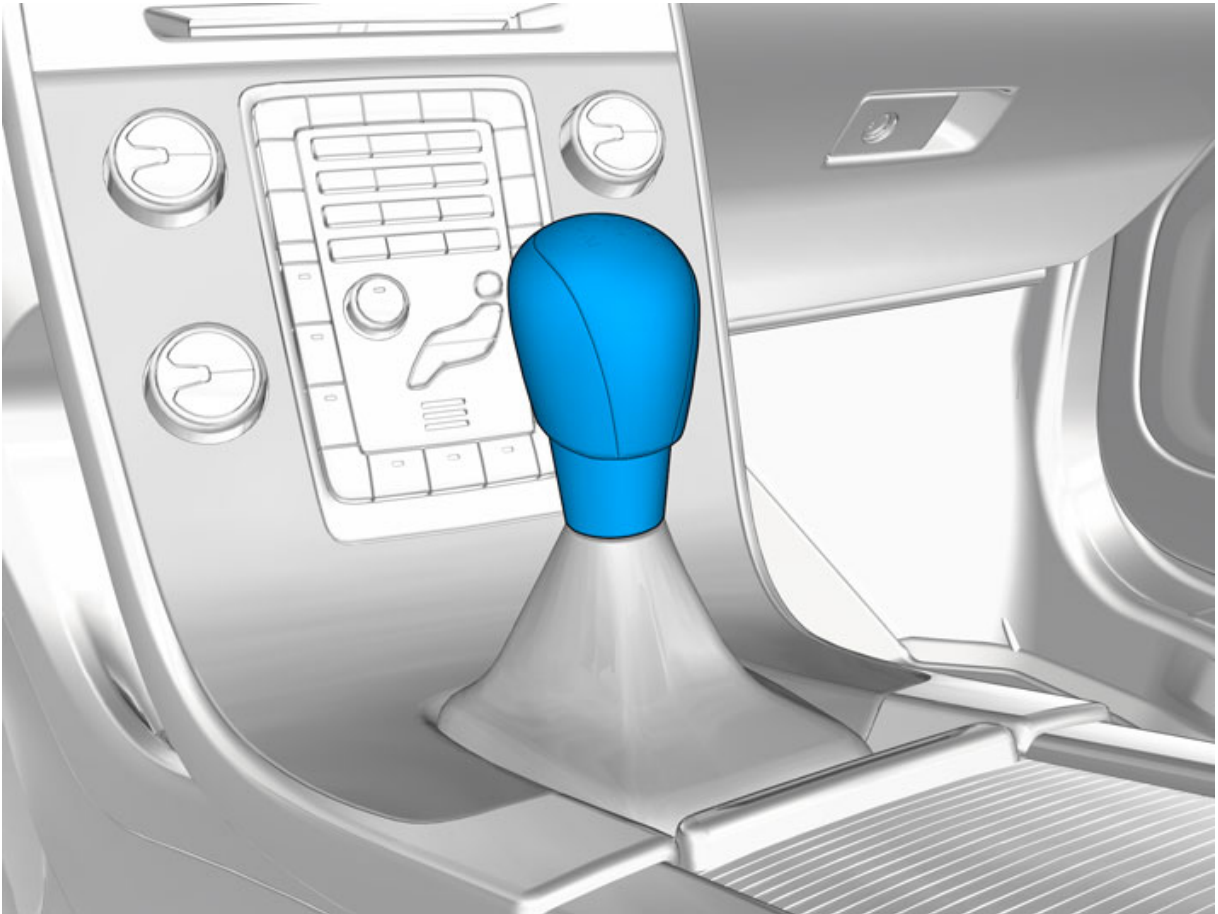
Volvo Car Corporation Gothenburg, Sweden

**Instruction No**  
31316117

**Version**  
1.1

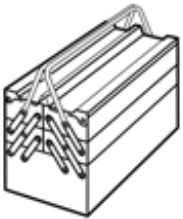
**Part. No.**  
31259377, 31259341, 31259372, 31259340, 31256004, 31259409, 31259408, 31325542, 31256005

## Gear shift knob, leather



IMG-339503

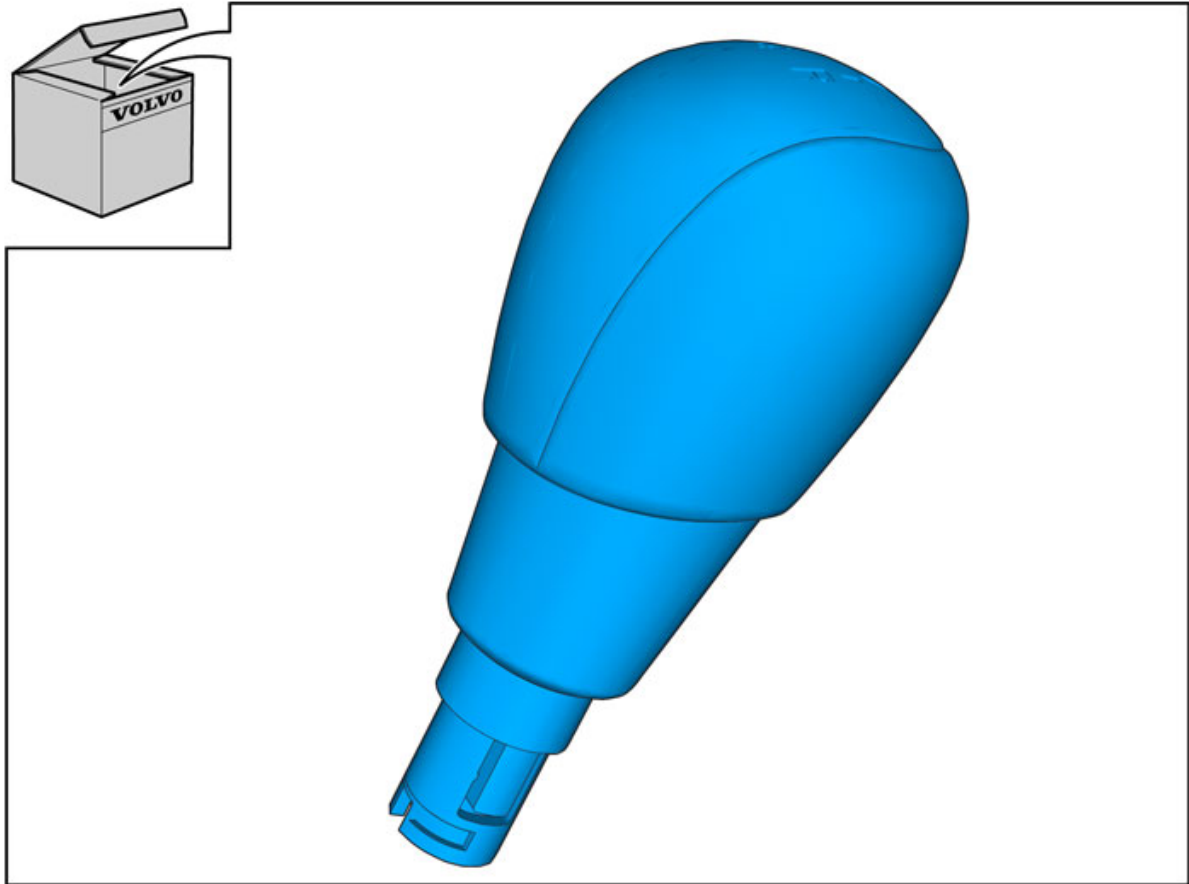
### Equipment



A0000162

# Installation instructions, accessories

Volvo Car Corporation Gothenburg, Sweden



IMG-339504

# Installation instructions, accessories

Volvo Car Corporation Gothenburg, Sweden

## INTRODUCTION

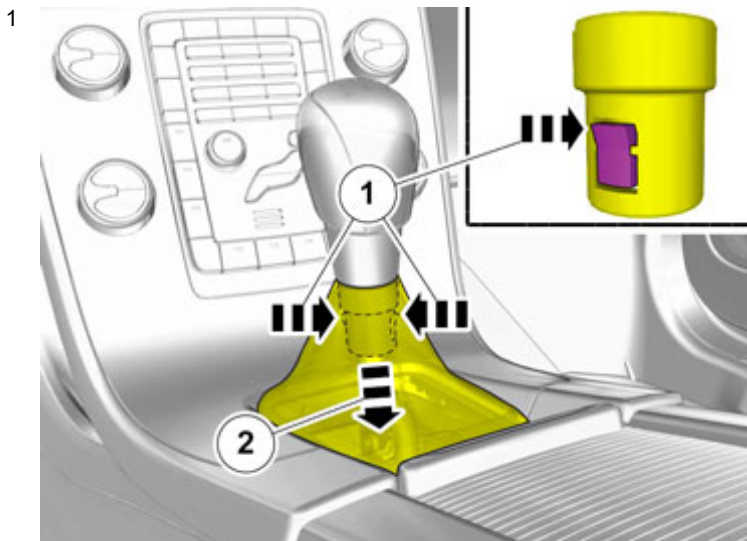
Read through all of the instructions before starting installation.

Notifications and warning texts are for your safety and to minimise the risk of something breaking during installation.

Ensure that all tools stated in the instructions are available before starting installation.

Certain steps in the instructions are only presented in the form of images. Explanatory text is also given for more complicated steps.

In the event of any problems with the instructions or the accessory, contact your local Volvo dealer.



IMG-339505

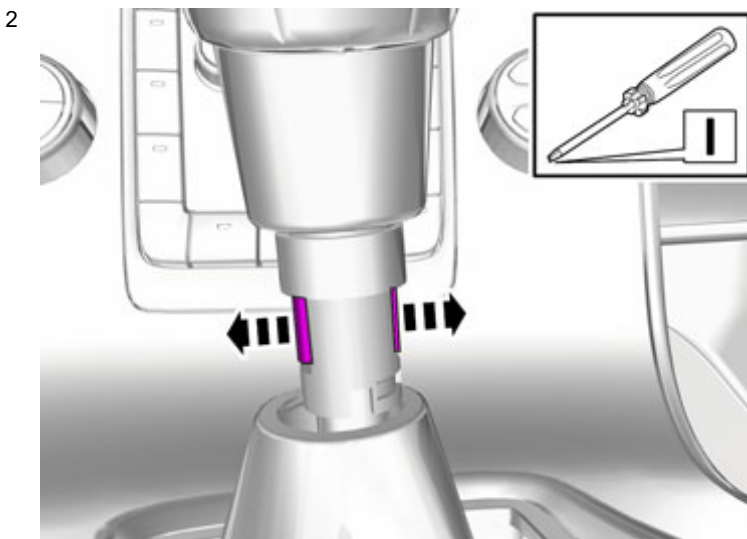
### Note!

Some steps in these installation instructions are presented with illustration only.

Press in the locking sleeve's 2 catches.

Work and pull the locking sleeve and boot downward.

Ensure the boot does not come off the locking sleeve.

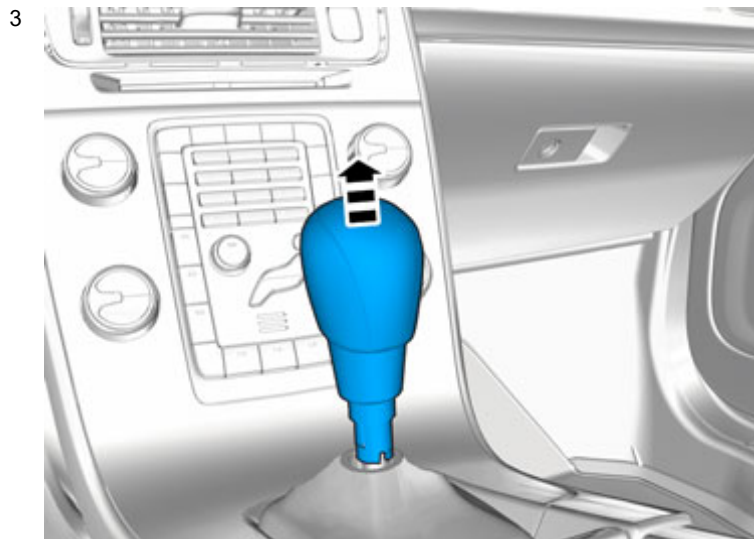


IMG-339506

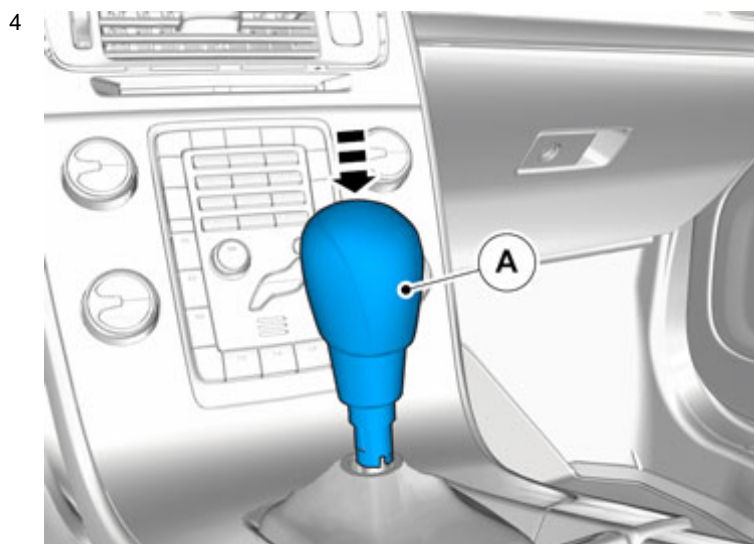
Use: Electrician's screwdriver

# Installation instructions, accessories

Volvo Car Corporation Gothenburg, Sweden



IMG-339507



IMG-339516

Press downwards until all the catches engage.

# Installation instructions, accessories

Volvo Car Corporation Gothenburg, Sweden

5



IMG-339517

Move the boot and locking sleeve up so that the locking sleeve hooks into the gear shift knob.