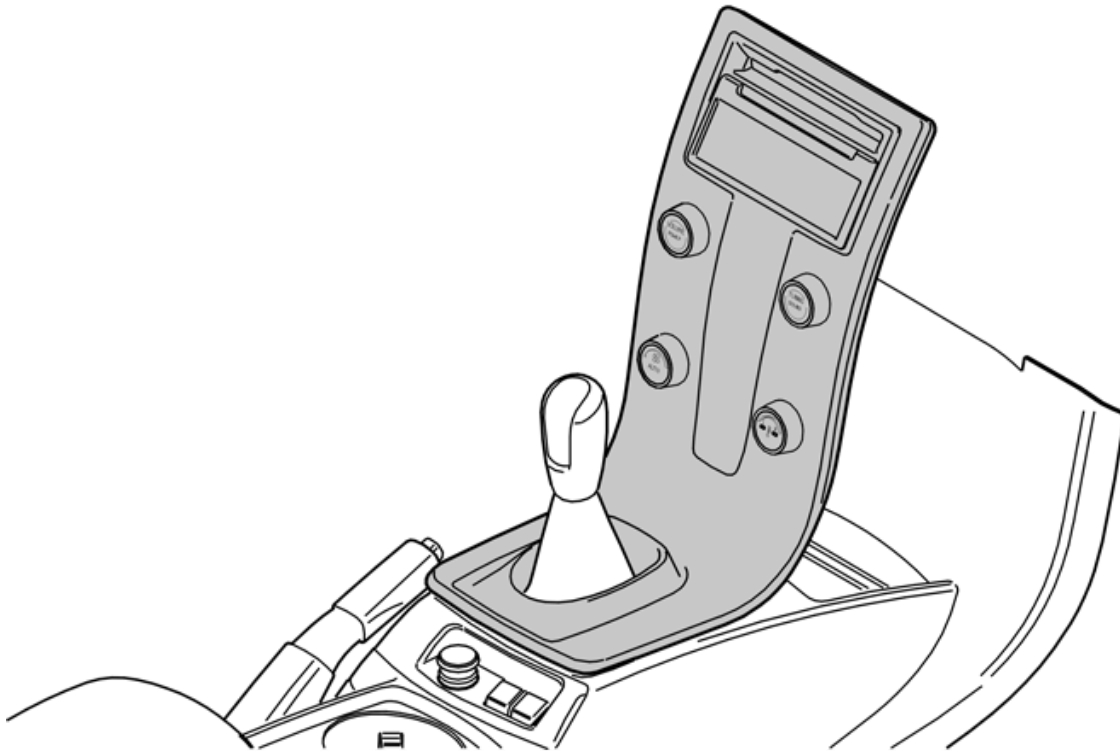


Installation instructions, accessories

Volvo Car Corporation Gothenburg, Sweden

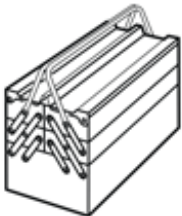
Instruction No 31210439 **Version** 1.5 **Part. No.** 31316256, 31210456, 31201030

CD player, MD/CD player, CD changer



J8504529

Equipment



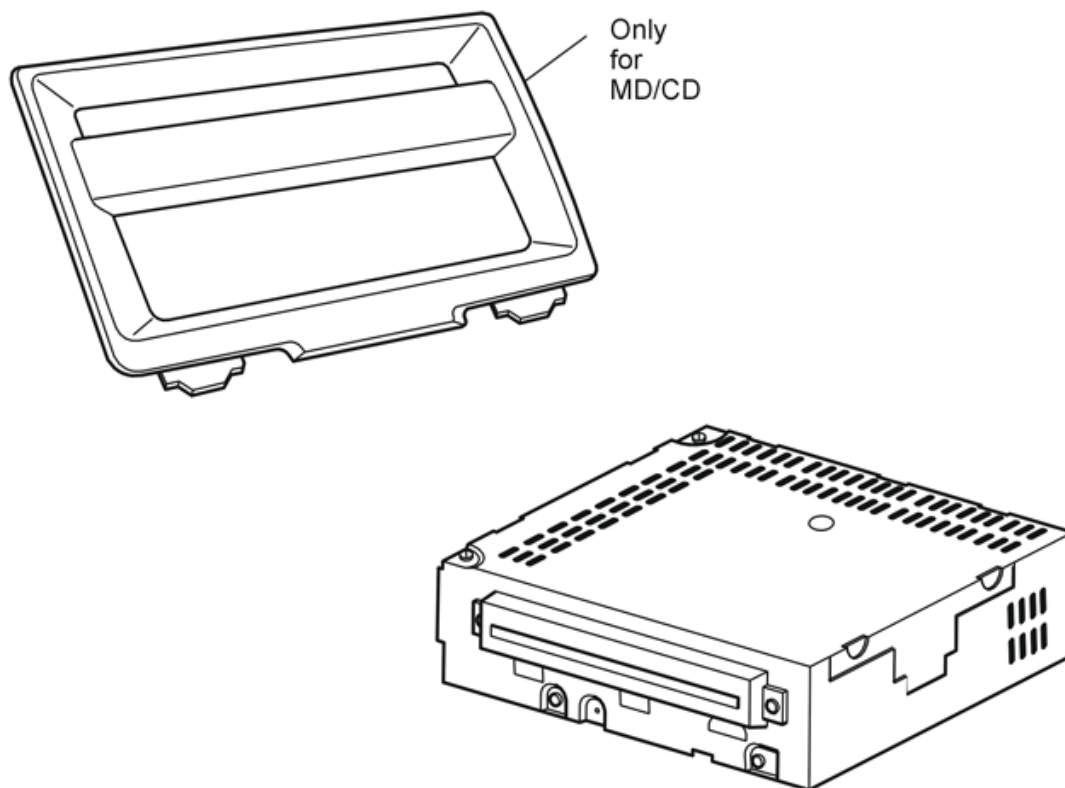
A0000162



A0801178

Installation instructions, accessories

Volvo Car Corporation Gothenburg, Sweden



J3905335

Installation instructions, accessories

Volvo Car Corporation Gothenburg, Sweden

Any comments on this publication? Please contact your nearest retailer. Thank You!

Publ.no:	Issue:	Kit no:
Comments:.....		
.....		
.....		
.....		

From:	
Address:	
Telephone:	
Telefax:	

IMG-213320

Installation instructions, accessories

Volvo Car Corporation Gothenburg, Sweden

INTRODUCTION

Read through all of the instructions before starting installation.

Notifications and warning texts are for your safety and to minimise the risk of something breaking during installation.

Ensure that all tools stated in the instructions are available before starting installation.

Certain steps in the instructions are only presented in the form of images. Explanatory text is also given for more complicated steps.

In the event of any problems with the instructions or the accessory, contact your local Volvo dealer.

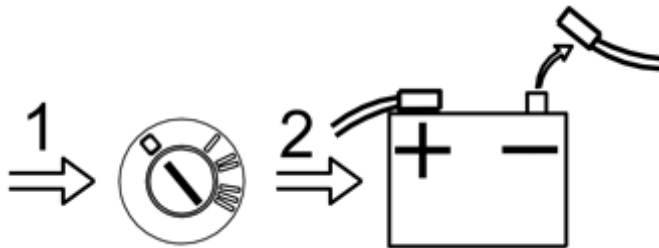
Note!

This accessory is connected to the car's electrical system. It requires software unique to the car.

1

Turn the ignition key to position 0.

Remove the ignition key from the ignition switch.



Note!

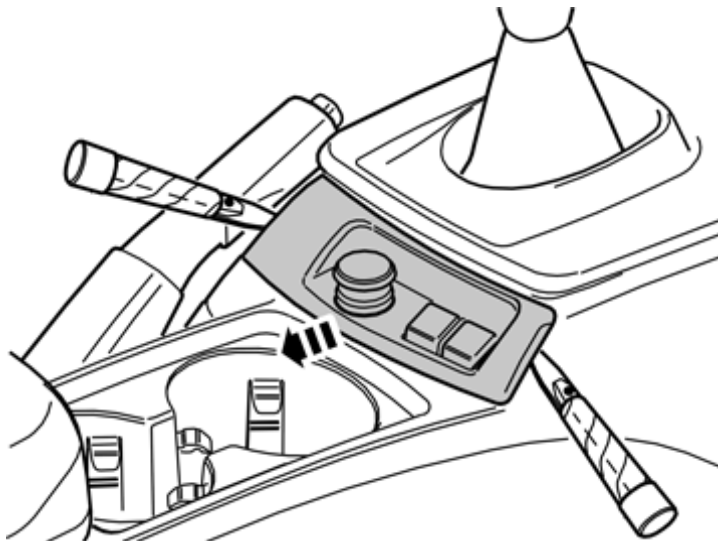
Wait at least five minutes before disconnecting the connectors or removing other electrical equipment.

A8800136

Installation instructions, accessories

Volvo Car Corporation Gothenburg, Sweden

2



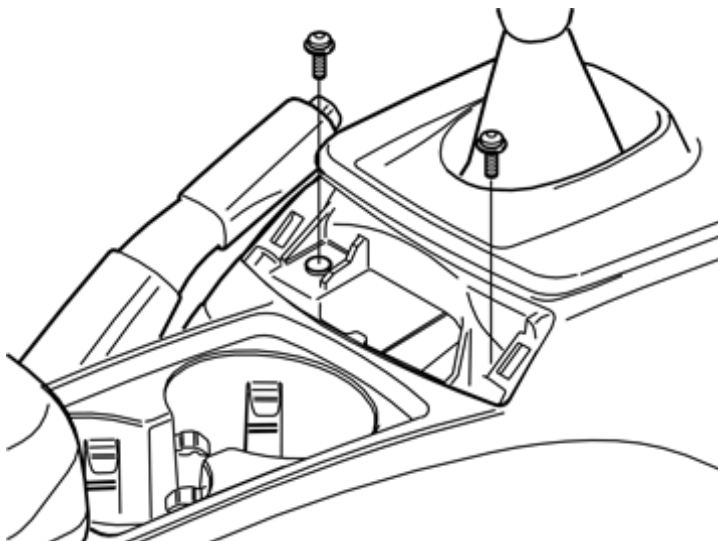
J8504530

Detach the panel at the rear edge of the centre console:

Use a plastic weatherstrip tool to pry loose the panel. The panel is secured by a catch on each short side.

Move the panel to the side to access the two screws underneath.

3



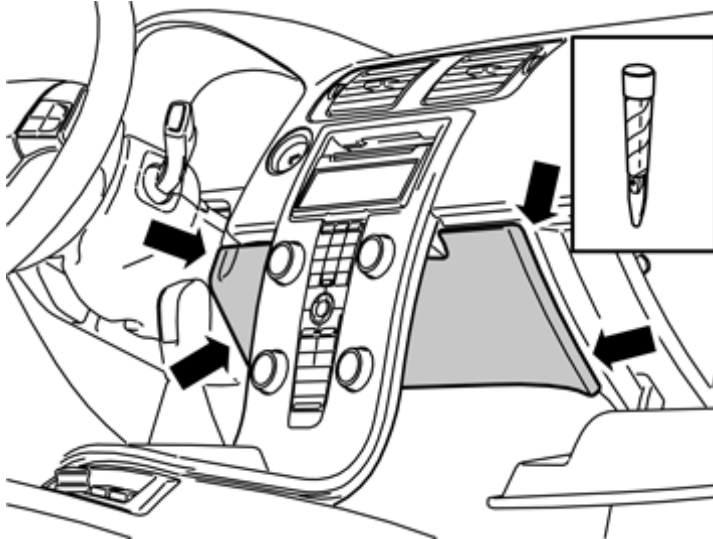
J8504531

Remove the two screws holding the centre console at the rear edge.

Installation instructions, accessories

Volvo Car Corporation Gothenburg, Sweden

4



J8504532

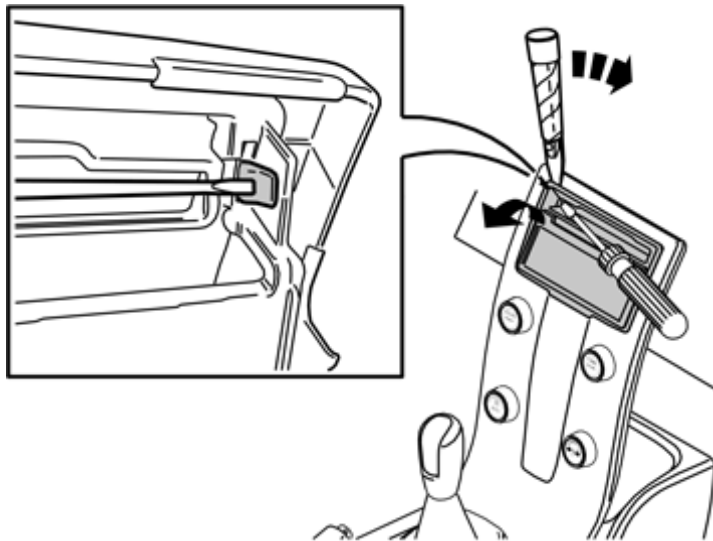
Remove the panel on the rear of the centre console:

Open the glove compartment.

Use a plastic weatherstrip tool carefully to pry loose the panel. The panel is secured by a catch on each long side.

Pull the panel downwards.

5



J8504893

Remove the surround around the display and media player:

Use a small screwdriver and press in the catches at one of the surround's upper corners. Carefully prize the surround away on one side using a plastic weatherstrip tool.

Repeat the procedure for the other side and then fold the surround backwards into the vehicle. Pull the surround up until it detaches.

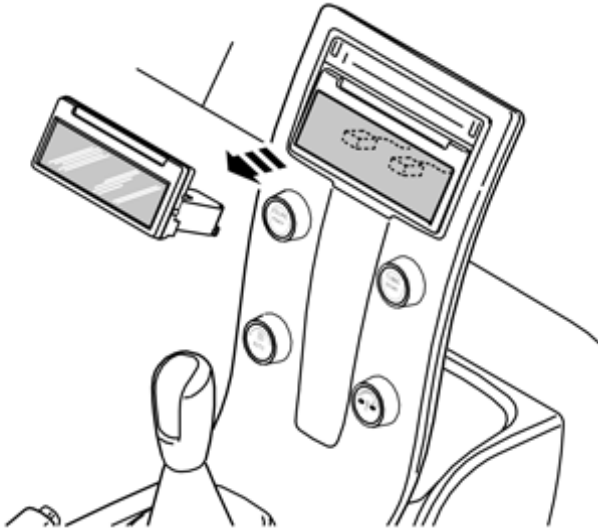
Hint

If there is difficulty removing the surround, press the panel back into place on both sides and start the removal procedure again. Start from the opposite side to before.

Installation instructions, accessories

Volvo Car Corporation Gothenburg, Sweden

6

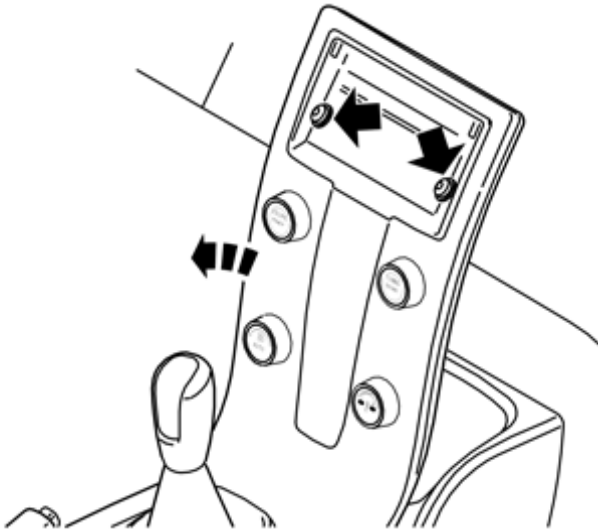


J8504534

Press out the display module from the reverse of the centre console. Press straight backwards, using both hands.

Disconnect the two connectors. Put the display to one side.

7



J8504535

Remove the two screws holding the centre console to the dashboard.

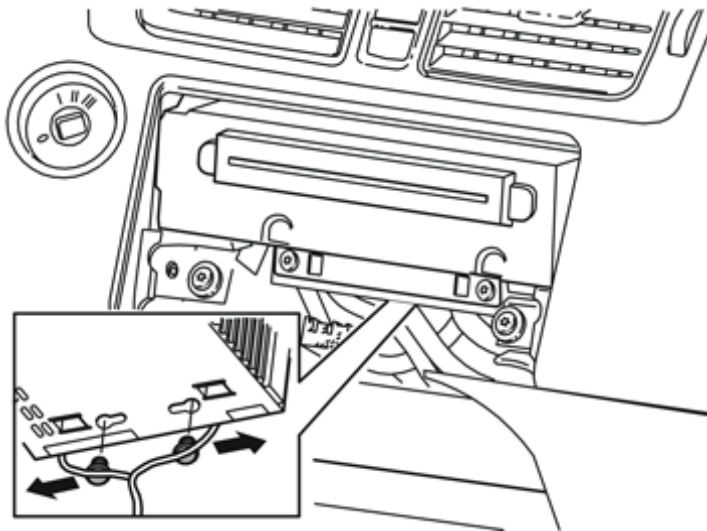
Remove the connector on the reverse of the dashboard environment panel.

Remove the centre console from the dashboard and tunnel console.

Installation instructions, accessories

Volvo Car Corporation Gothenburg, Sweden

8



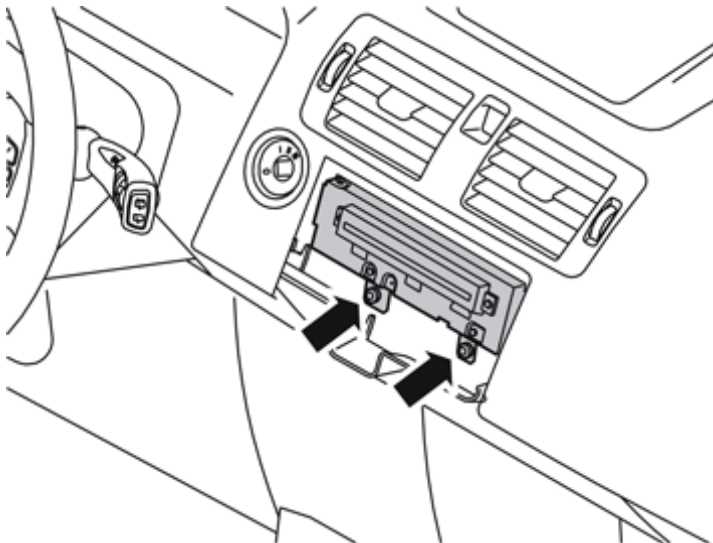
J3905272

Remove the two clips securing the cables to the media player by first pressing them to the sides and then pulling them away downwards.

Note!

Be careful with the optic cables so that they are not bent or stretched.

9A



J3904501

Illustration A

Remove the two screws in the lower edge of the existing media player. Save the screws, they shall be re-used.

Pull out the media player and detach the connectors on the rear side.

Note!

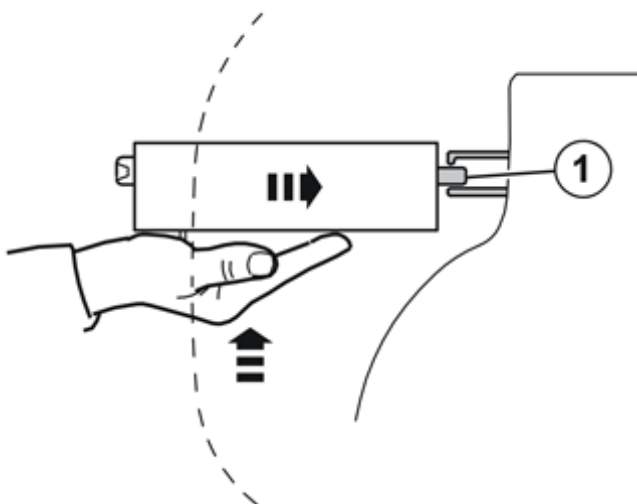
Make a mental note of how the cables are routed on the rear side.

Put the media player to one side. It shall not be re-used.

Illustration B

Take the new media player from the kit, and the two existing screws.

9B



J3904502

Note!

Make sure that the fibre optic cable is routed so that it is bent to a radius of no less than 25 mm (1").

Plug in the connectors to the media player.

Position the media player in the dashboard. Guide in the lug (1) at the rear edge of the media player using one hand. The lug must be in the corresponding hole on the reverse of the heater.

Tighten the media player using the two screws.

Reinstall the clips with the cables on the underside of the media player.

Installation instructions, accessories

Volvo Car Corporation Gothenburg, Sweden

10

Reinstall:

the connector for the dashboard environment panel

the centre console for the dashboard and tunnel console

the connectors for the display

the display

Applies to CD player/changer:

Reinstall the display surround and the media player.

Applies to MD/CD player:

Install the new surround for the display and media player.

Reinstall the panel on the reverse of the centre console.

Reinstall the panel on the rear edge of the centre console.

Program the function using VCT 2000.
