



Installation instructions, accessories

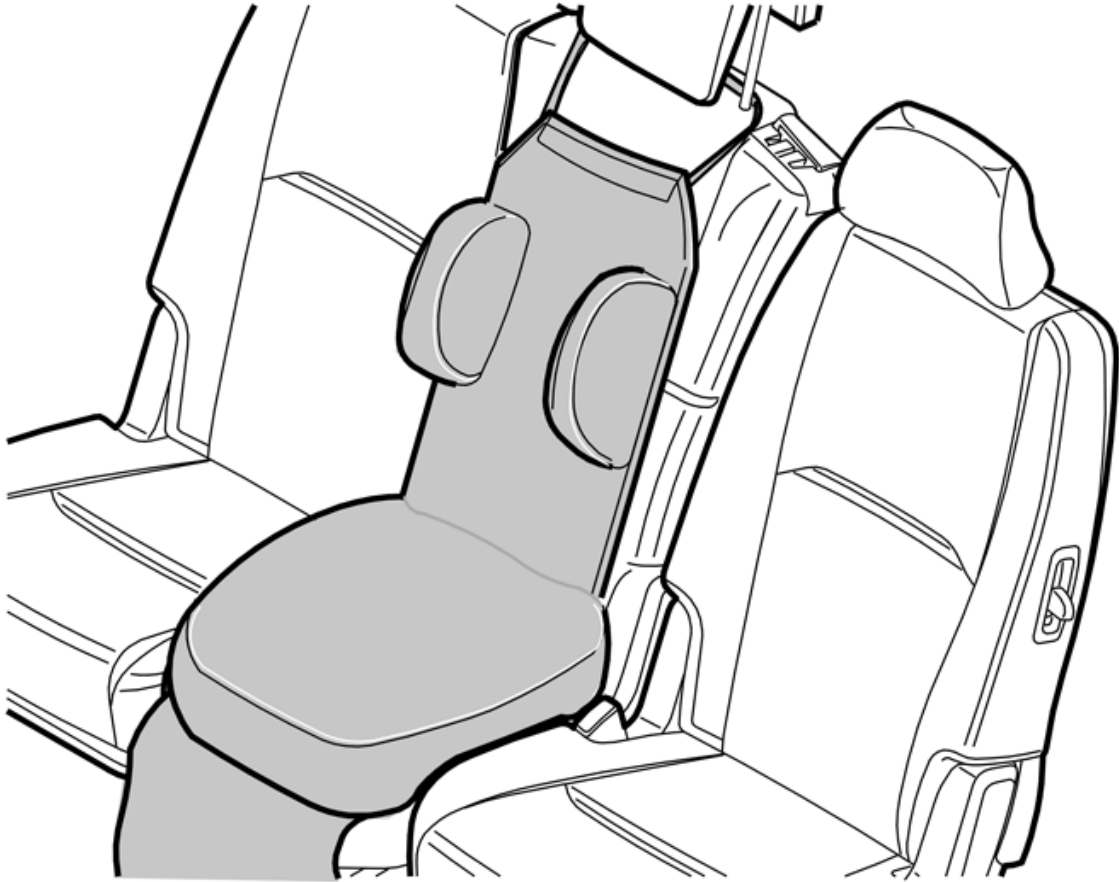
Volvo Car Corporation Gothenburg, Sweden

Instruction No
31351055

Version
1.3

Part. No.
31351096

Child seat, padded upholstery



R8903166



Installation instructions, accessories

Volvo Car Corporation Gothenburg, Sweden



Installation instructions, accessories

Volvo Car Corporation Gothenburg, Sweden

INTRODUCTION

Read through all of the instructions before starting installation.

Notifications and warning texts are for your safety and to minimise the risk of something breaking during installation.

Ensure that all tools stated in the instructions are available before starting installation.

Certain steps in the instructions are only presented in the form of images. Explanatory text is also given for more complicated steps.

In the event of any problems with the instructions or the accessory, contact your local Volvo dealer.

Note!

The foam pads must be removed for washing. See washing instructions on the upholstery.

1



Pull up the head restraint.

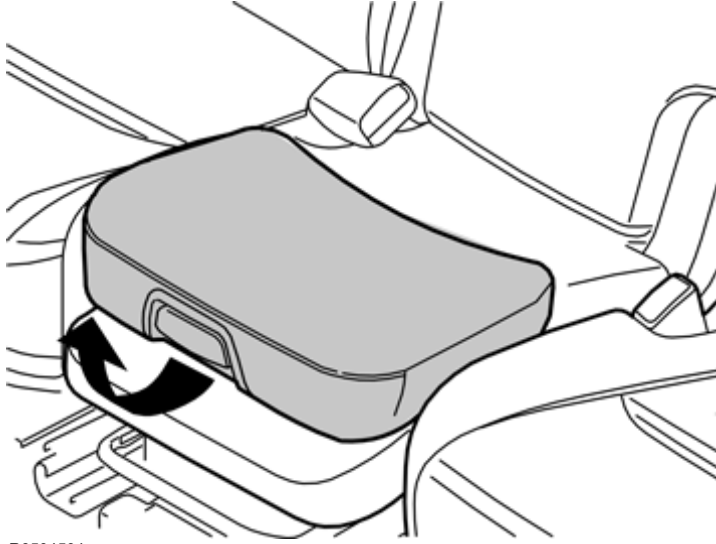
R8504078



Installation instructions, accessories

Volvo Car Corporation Gothenburg, Sweden

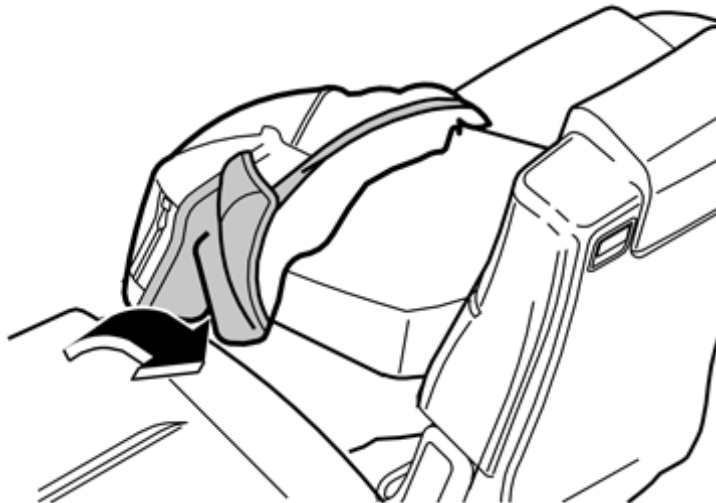
2



Fold up the seat cushion.

R8504504

3



Pull the padded upholstery up over the front edge of the seat cushion.

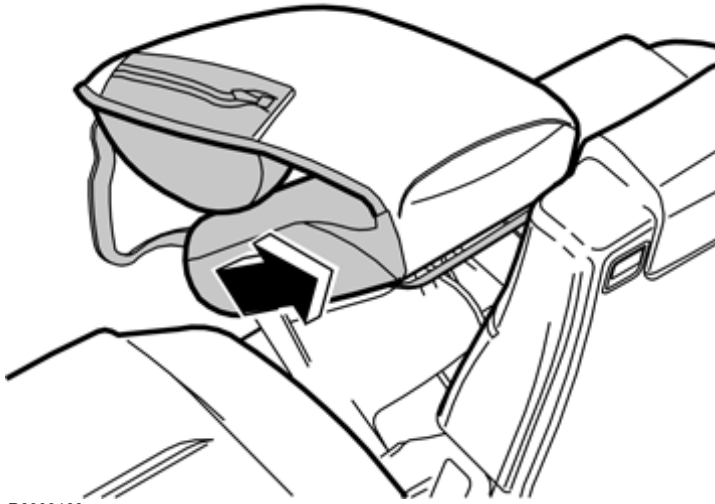
R8903159



Installation instructions, accessories

Volvo Car Corporation Gothenburg, Sweden

4



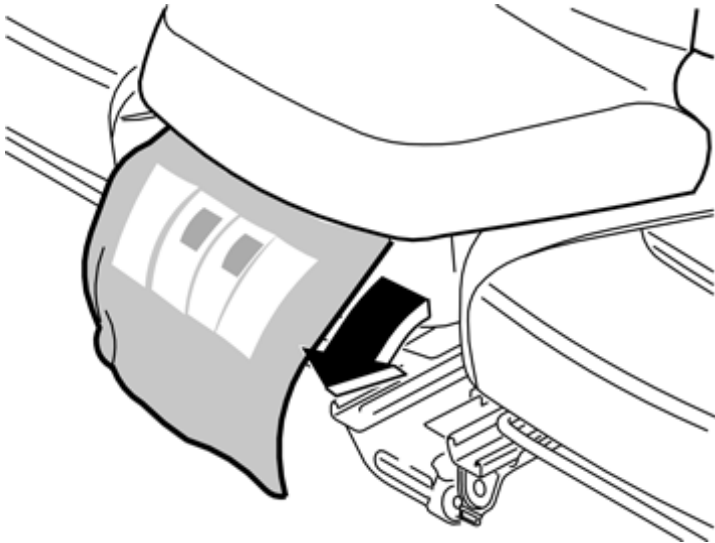
R8903160

Pull the padded upholstery over to the rear edge of the seat cushion.

Pull the strap underneath the rear edge of the seat cushion.

Secure the seat cushion in the folded up position.

5



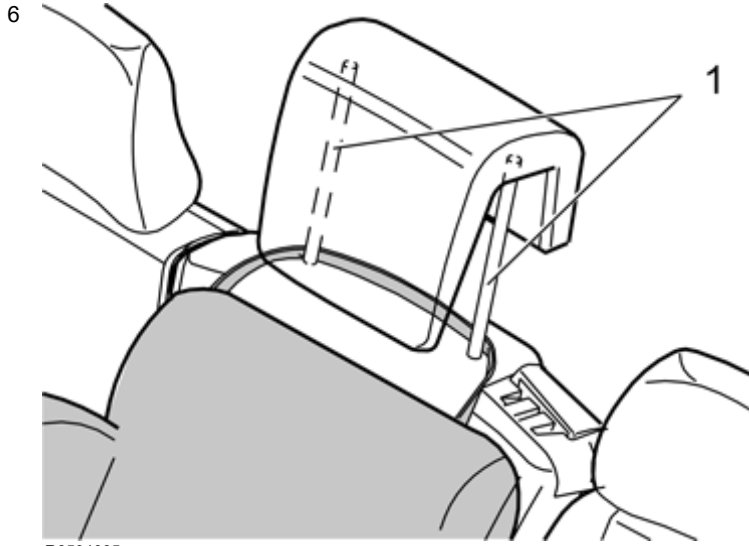
R8903161

Pull the plastic cover over the front edge of the seat.



Installation instructions, accessories

Volvo Car Corporation Gothenburg, Sweden



R8504085

Pull the padded upholstery up to the head restraint.

Secure the padded upholstery's straps around the strut (1) of the head restraint.

Push the head restraint down.