

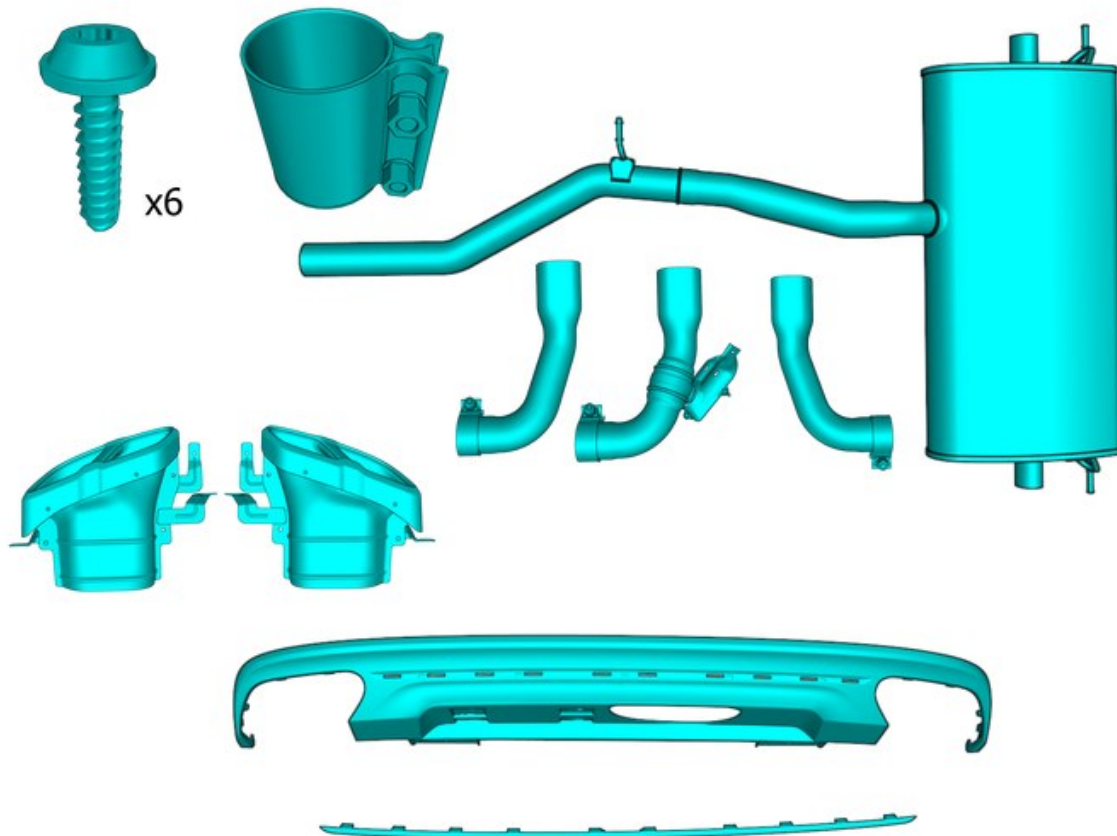
Installation instructions, accessories

Volvo Car Corporation Gothenburg, Sweden

Instruction No 31664603
Version 1.0
Part. No. 31664600

End pipes

Special tools	
	115 8590 PIPE CUTTER Tool number:115 8590 Tool description:PIPE CUTTER Tool boards:08
	981 4187 Clip tool Tool number:981 4187 Tool description:Clip tool Tool boards:80



IMG-453496

Installation instructions, accessories

Volvo Car Corporation Gothenburg, Sweden

Information

1

Read through all of the instructions before starting installation.

Notifications and warning texts are for your safety and to minimise the risk of something breaking during installation.

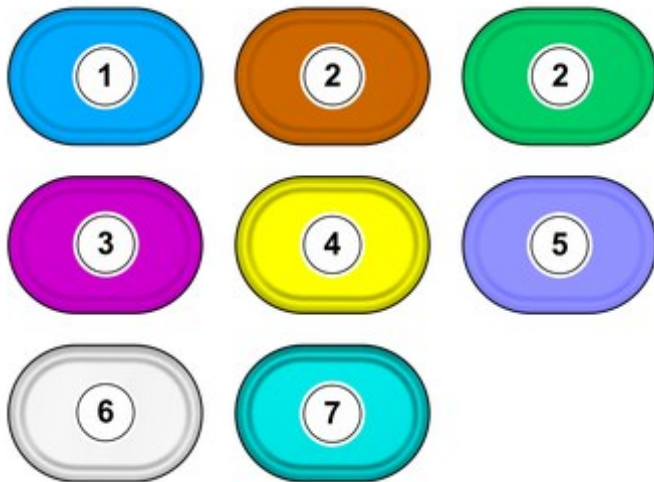
Ensure that all tools stated in the instructions are available before starting installation.

Certain steps in the instructions are only presented in the form of images. Explanatory text is also given for more complicated steps.

In the event of any problems with the instructions or the accessory, contact your local Volvo dealer.

Color symbols

2



IMG-400010

Note!

This colour chart displays (in colour print and electronic version) the importance of the different colours used in the images of the method steps.

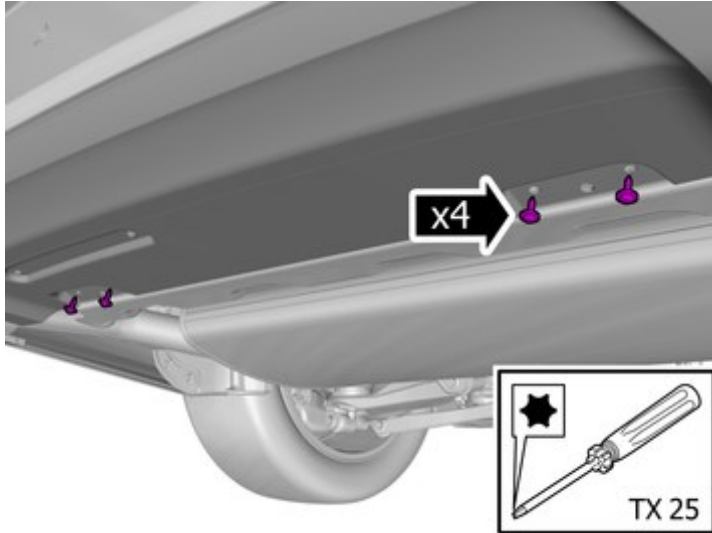
1. Used for focused component, the component with which you will do something.
 2. Used as extra colors when you need to show or differentiate additional parts.
 3. Used for attachments that are to be removed/installed. May be screws, clips, connectors, etc.
 4. Used when the component is not fully removed from the vehicle but only hung to the side.
 5. Used for standard tools and special tools.
 6. Used as background color for vehicle components.
 7. Used for accessory components.
-

Removal

Installation instructions, accessories

Volvo Car Corporation Gothenburg, Sweden

3

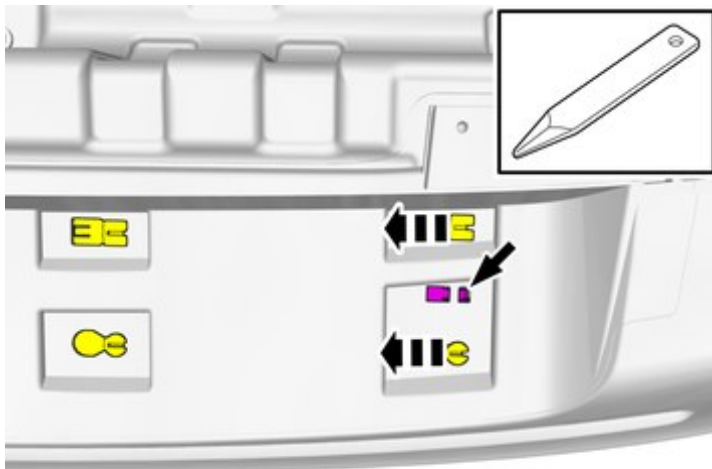


IMG-410355

Remove the screws.

Vehicles with Foot movement detection (FMDM)

4



IMG-453344

Loosen the component indicated. Do not remove it.

All vehicles

Installation instructions, accessories

Volvo Car Corporation Gothenburg, Sweden

5

IMG-400000

Alternative 1

6

Note!
Orientation view

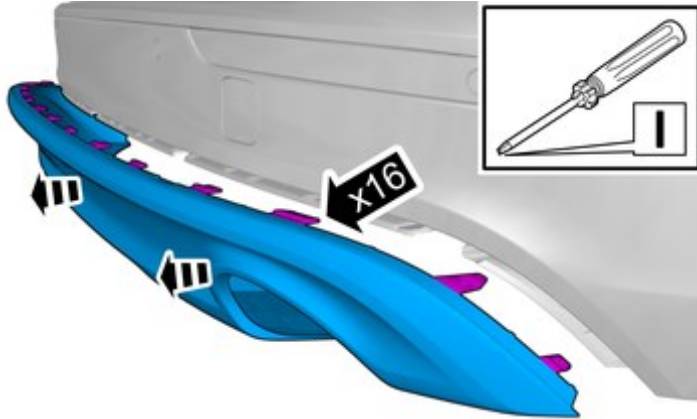


IMG-452198

Installation instructions, accessories

Volvo Car Corporation Gothenburg, Sweden

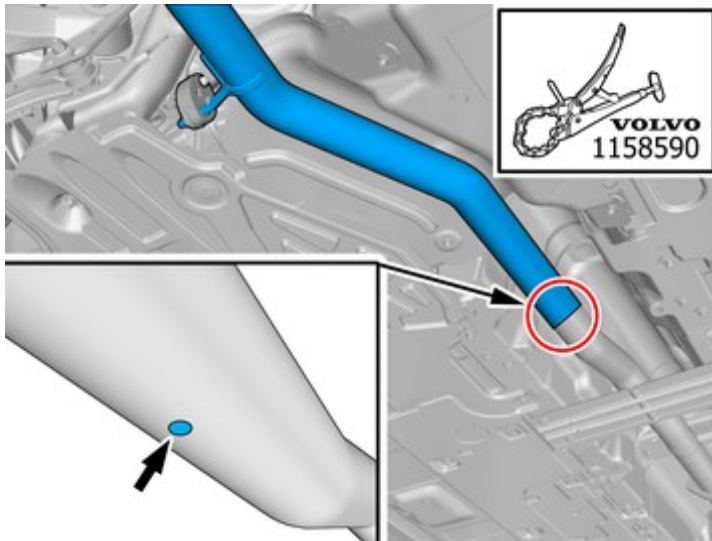
7



Release the catches.
Remove the marked part.

IMG-452207

8



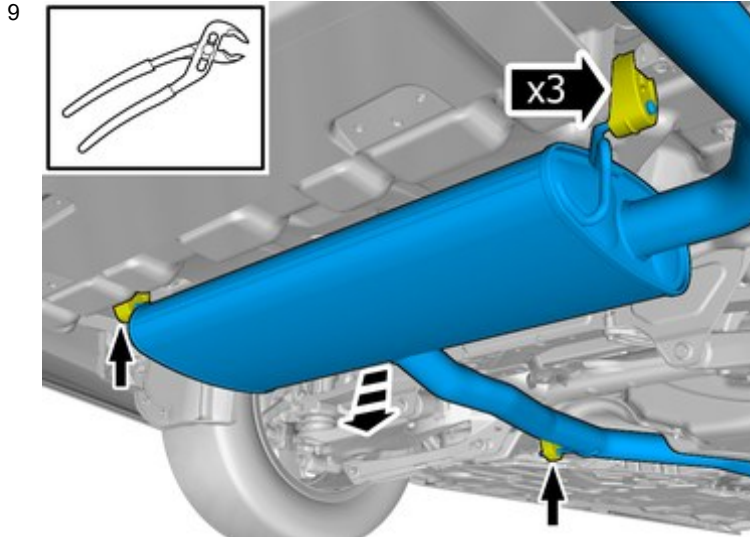
Locate relevant marking.

Use special tool: T1158590, PIPE CUTTER

IMG-420510

Installation instructions, accessories

Volvo Car Corporation Gothenburg, Sweden



IMG-420536

Note!

This step is easier with two people.

Loosen the marked detail/details.

The part is not to be reused.

Alternative 2

10



IMG-453337

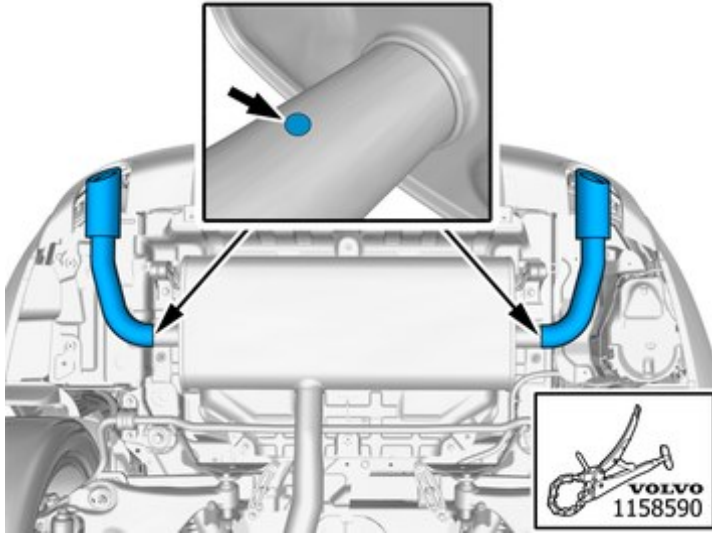
Note!

Orientation view

Installation instructions, accessories

Volvo Car Corporation Gothenburg, Sweden

11



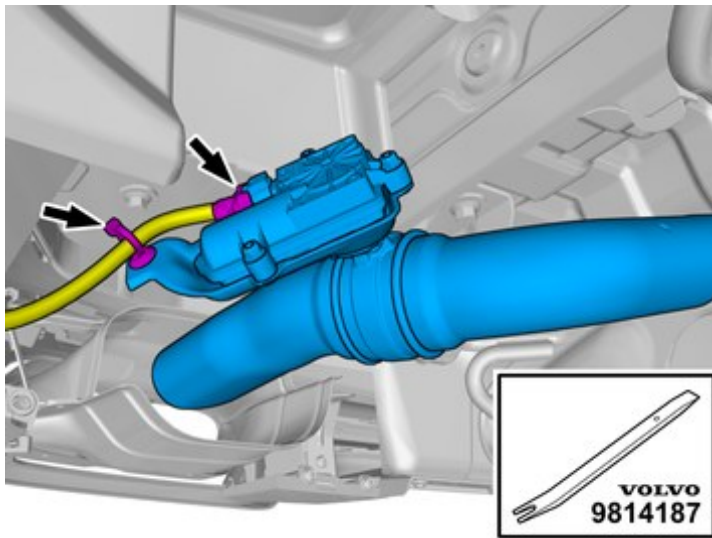
IMG-453148

Locate relevant marking.

Use special tool: T1158590, PIPE CUTTER

Vehicles with actuator, early version

12



IMG-453348

Disconnect the connector.

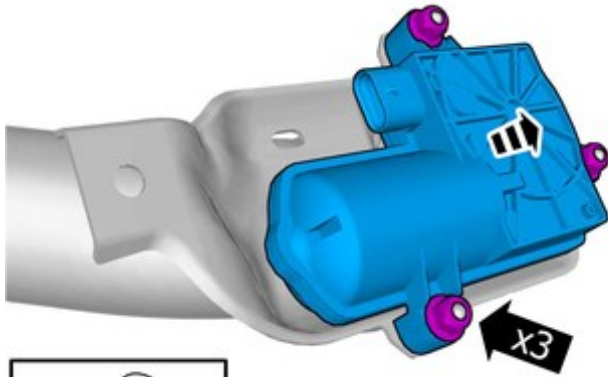
Unhook the cable harness clips.

Use special tool: T9814187, Clip tool

Installation instructions, accessories

Volvo Car Corporation Gothenburg, Sweden

13

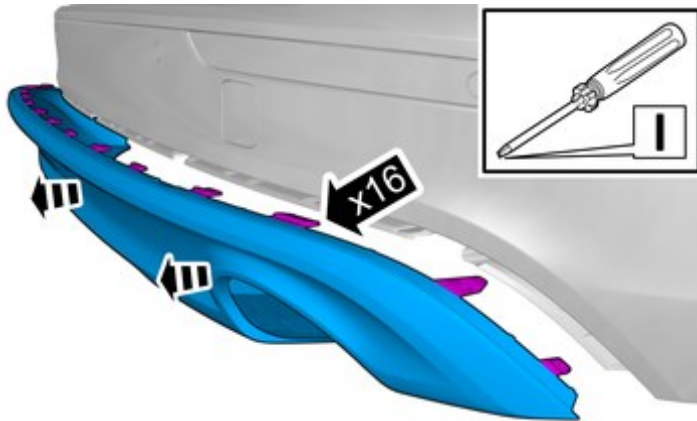


IMG-445107

Remove the nuts.

Remove the marked part.

14



IMG-452207

Release the catches.

Remove the marked part.

Alternative 3

Installation instructions, accessories

Volvo Car Corporation Gothenburg, Sweden

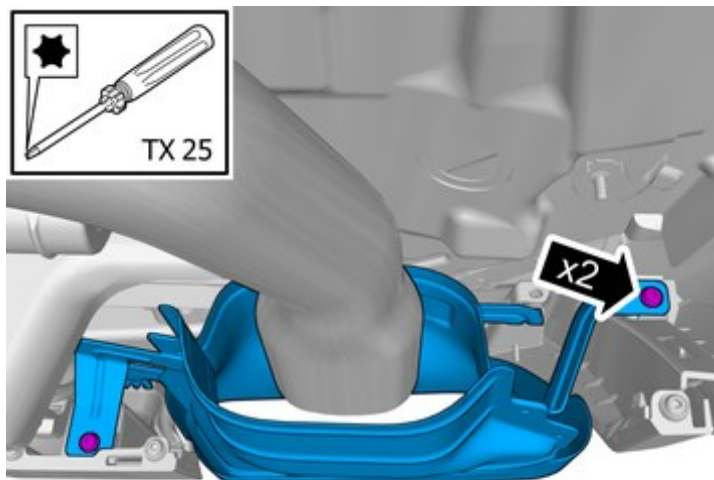
15

Note!
Orientation view



IMG-453251

16



IMG-453261

Remove the screws.
Loosen the component indicated. Do not remove it.
Repeat on the other side.

Installation instructions, accessories

Volvo Car Corporation Gothenburg, Sweden

17



IMG-453257

Remove the marked part.

Repeat on the other side.

Accessory installation

18

IMG-400000

Alternatives 1 and 2

Installation instructions, accessories

Volvo Car Corporation Gothenburg, Sweden

19

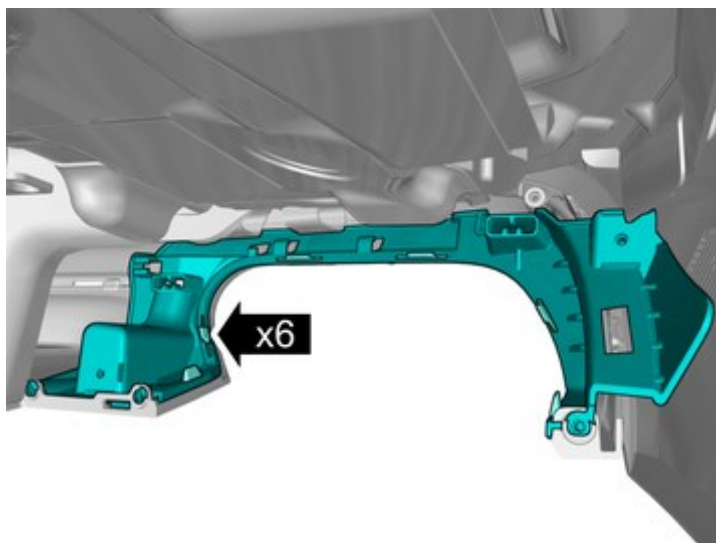


IMG-452795

Install component that comes with the accessory kit.

Ensure that all clips engage.

20



IMG-452799

Install component that comes with the accessory kit.

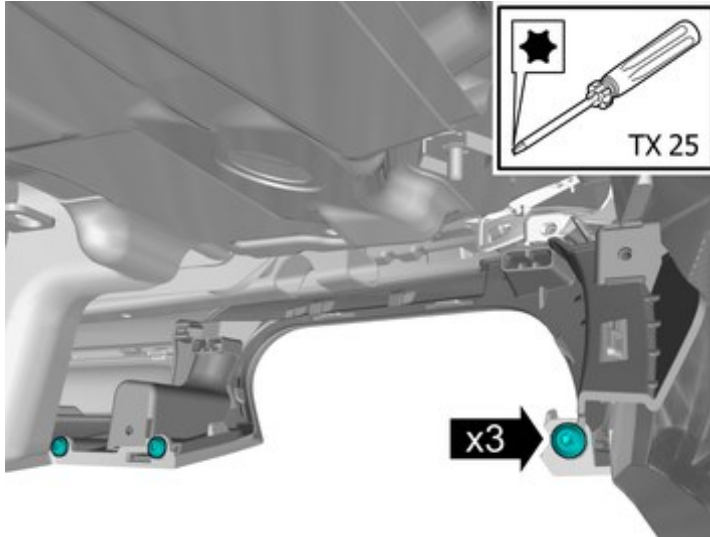
Ensure that all clips engage.

Repeat on the other side.

Installation instructions, accessories

Volvo Car Corporation Gothenburg, Sweden

21

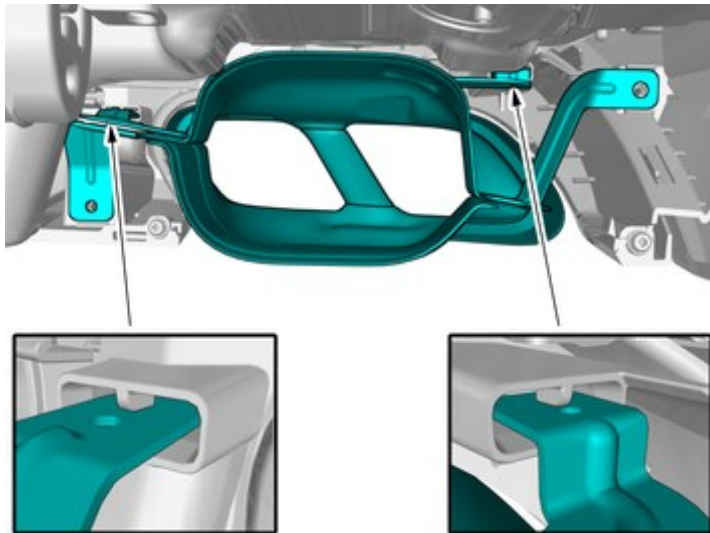


IMG-452800

Install the screws.

Repeat on the other side.

22



IMG-452958

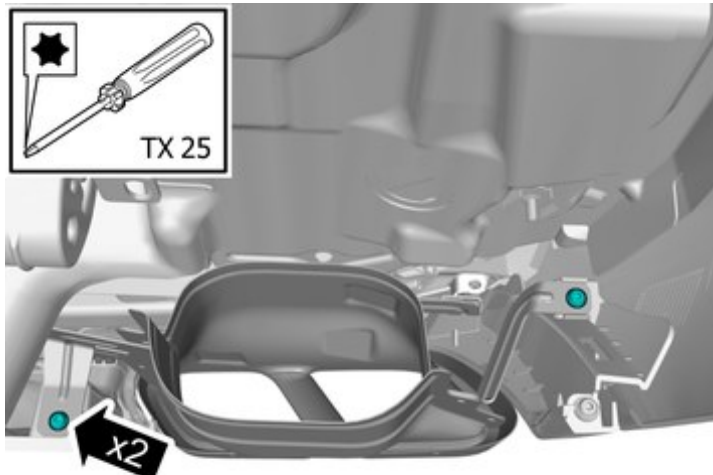
Install component that comes with the accessory kit.

Repeat on the other side.

Installation instructions, accessories

Volvo Car Corporation Gothenburg, Sweden

23



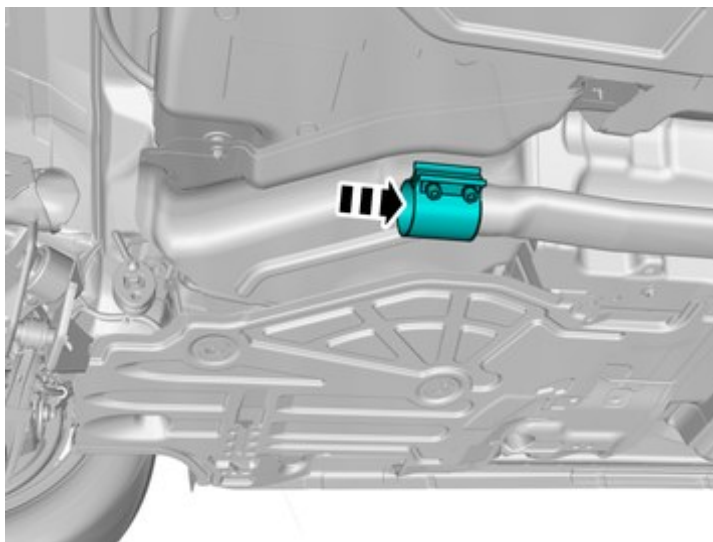
IMG-452955

Install the screws.

Repeat on the other side.

Alternative 1

24



IMG-452208

Note!

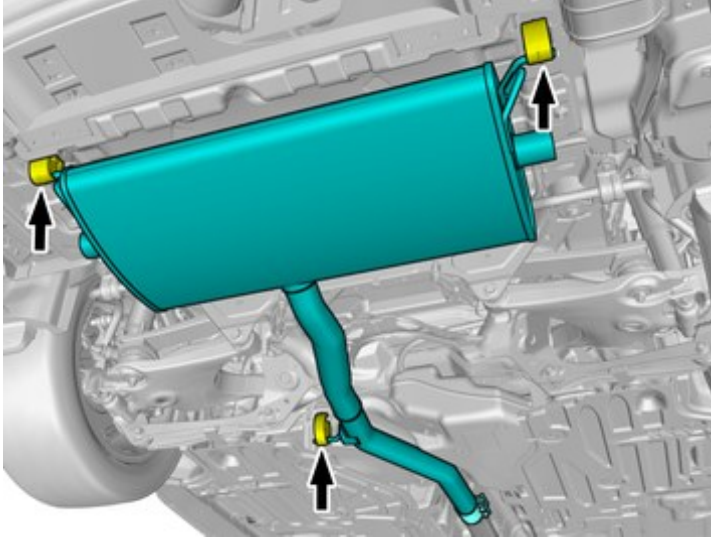
Do not fully tighten the nuts yet.

Install component that comes with the accessory kit.

Installation instructions, accessories

Volvo Car Corporation Gothenburg, Sweden

25



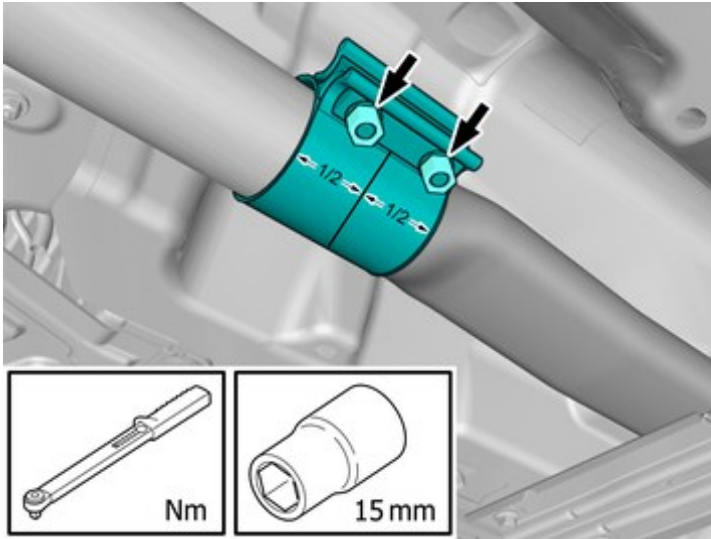
IMG-452986

Note!

This step is easier with two people.

Install component that comes with the accessory kit.

26



IMG-452997

Place the component where indicated in the graphic.

Tighten the nuts.

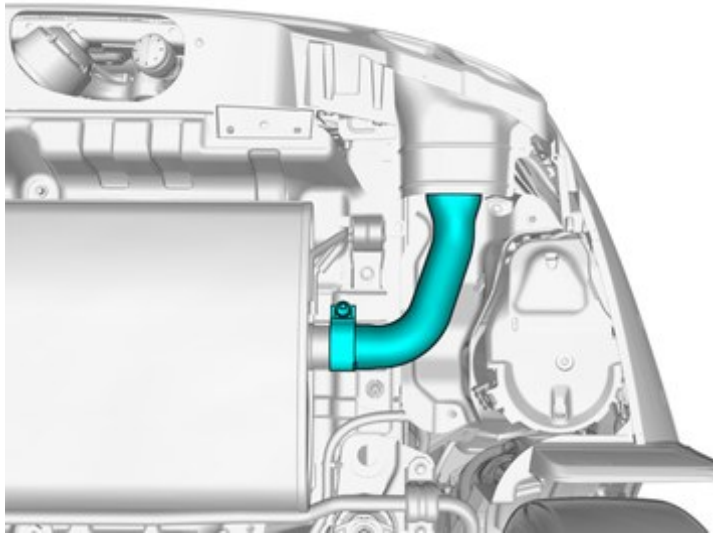
Tightening torque: M10 , 50 Nm

Alternatives 1 and 2

Installation instructions, accessories

Volvo Car Corporation Gothenburg, Sweden

27



IMG-453166

Note!

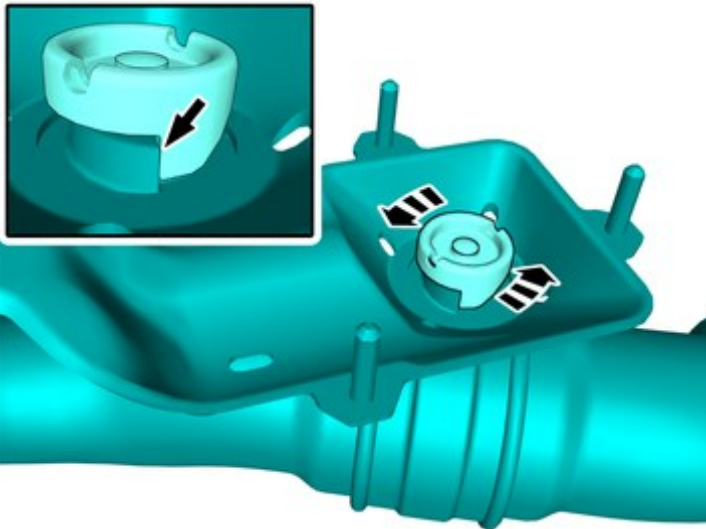
Do not fully tighten the nut yet.

Install component that comes with the accessory kit.

Repeat on the other side.

Vehicles with actuator, early version

28



IMG-453398

Note!

Note the position.

Installation instructions, accessories

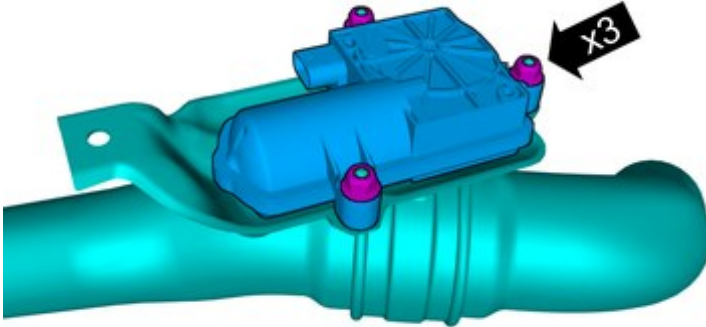
Volvo Car Corporation Gothenburg, Sweden

29

Install the marked component.

Install the nuts

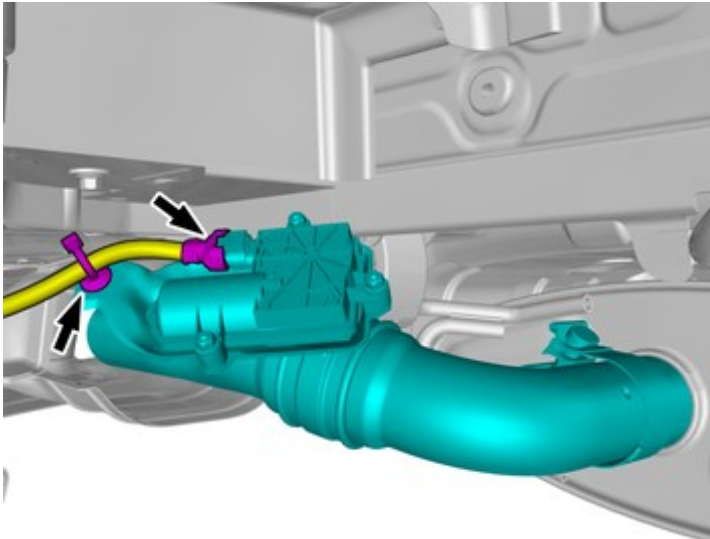
Tightening torque: Actuator, to Exhaust system , 5 Nm



IMG-453406

30

Connect the connector.



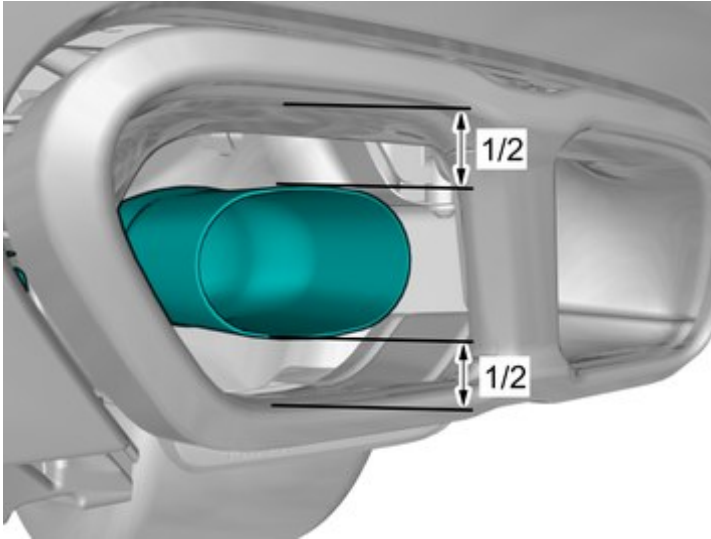
IMG-453419

All vehicles

Installation instructions, accessories

Volvo Car Corporation Gothenburg, Sweden

31



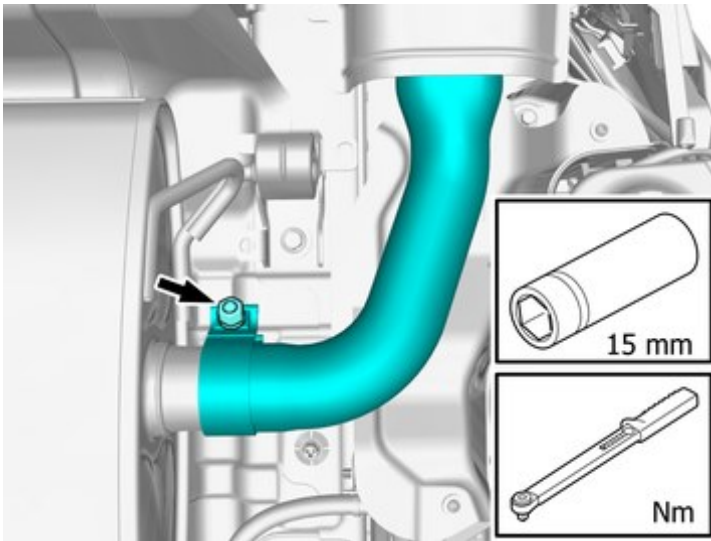
IMG-453167

Note!

Make sure that the component is centred.

Repeat on the other side.

32



IMG-453172

Tightening torque: M10 , 50 Nm

Tighten the nut.

Repeat on the other side.

Alternative 3

Installation instructions, accessories

Volvo Car Corporation Gothenburg, Sweden

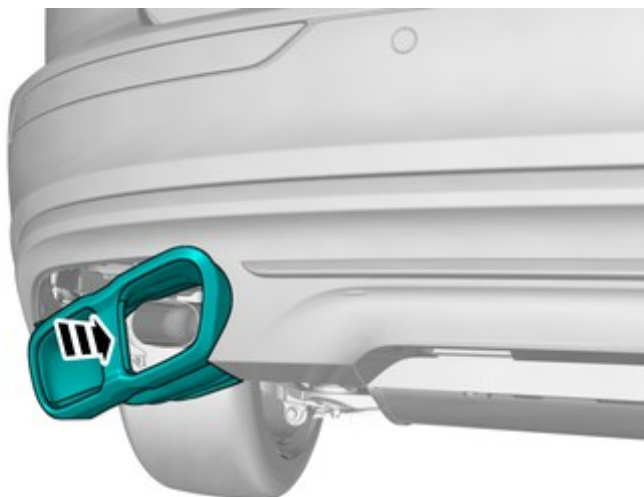
33

Note!
Orientation view



IMG-453251

34



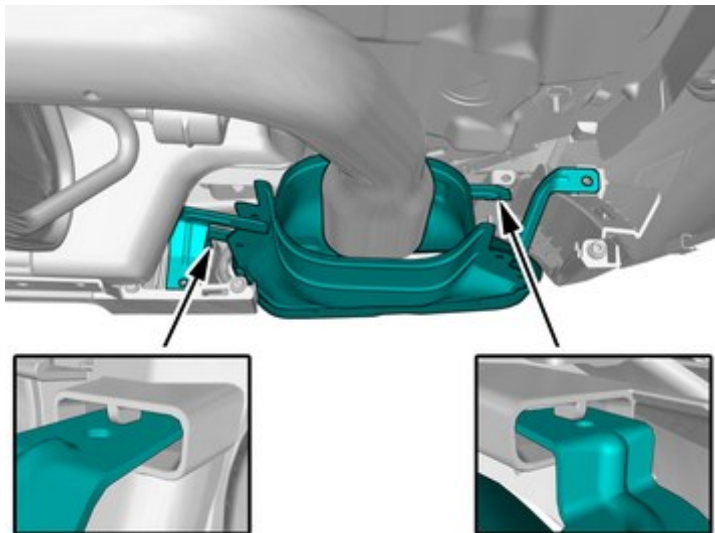
Install component that comes with the accessory kit.
Repeat on the other side.

IMG-453274

Installation instructions, accessories

Volvo Car Corporation Gothenburg, Sweden

35

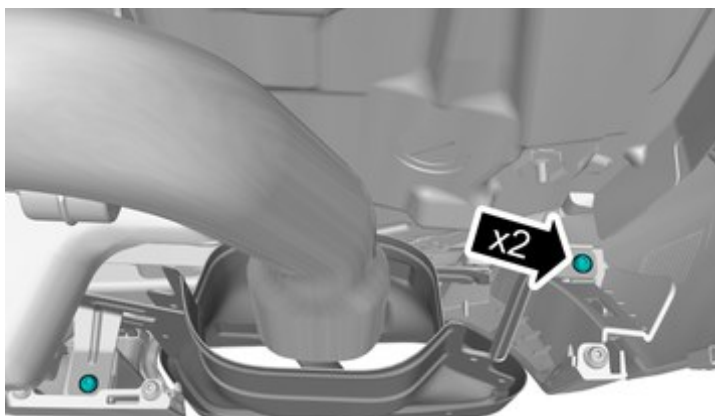


IMG-453275

Install the marked component.

Repeat on the other side.

36



IMG-453302

Install the screws.

Repeat on the other side.

Alternatives 1 and 2

Installation instructions, accessories

Volvo Car Corporation Gothenburg, Sweden

37



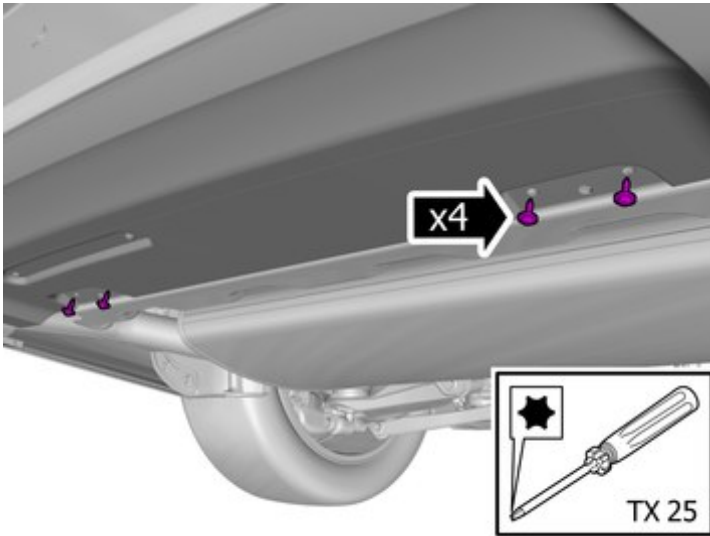
IMG-453336

Install component that comes with the accessory kit.

Ensure that all clips engage.

All vehicles

38



IMG-410355

Reinstall the screws.