

Installation instructions, accessories

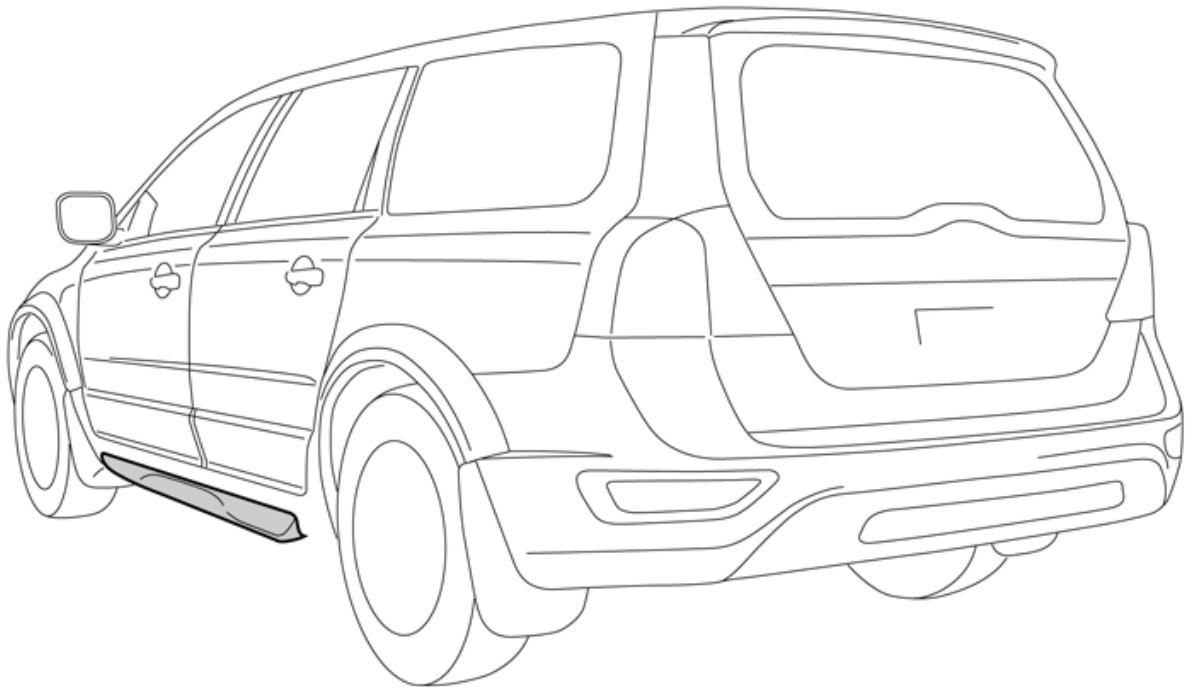
Volvo Car Corporation Gothenburg, Sweden

Instruction No
31373894

Version
1.1

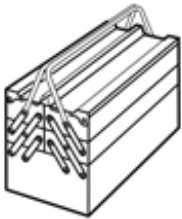
Part. No.
31439191, 30744499

Sill decor



IMG-282004

Equipment



A0000162



IMG-239940



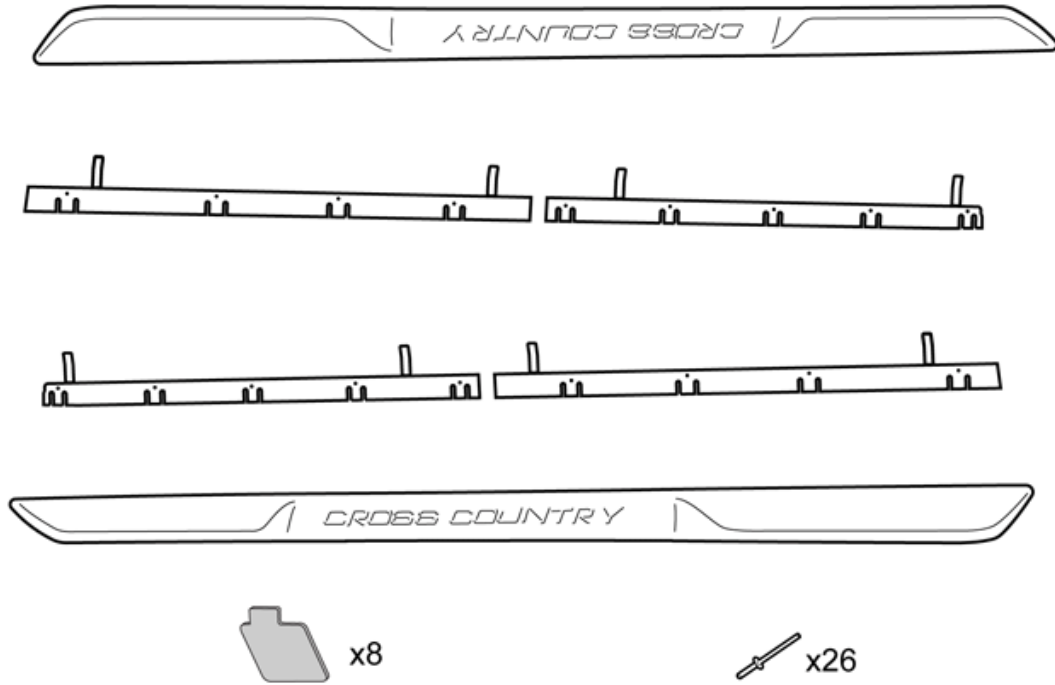
IMG-239660



IMG-239681

Installation instructions, accessories

Volvo Car Corporation Gothenburg, Sweden



IMG-282003

Installation instructions, accessories

Volvo Car Corporation Gothenburg, Sweden

Any comments on this publication? Please contact your nearest retailer. Thank You!

| | | |
|----------------|--------|---------|
| Publ.no: | Issue: | Kit no: |
| Comments:..... | | |
| | | |
| | | |
| | | |

| | |
|------------|--|
| From: | |
| Address: | |
| Telephone: | |
| Telefax: | |

IMG-213320

Installation instructions, accessories

Volvo Car Corporation Gothenburg, Sweden

INTRODUCTION

Read through all of the instructions before starting installation.

Notifications and warning texts are for your safety and to minimise the risk of something breaking during installation.

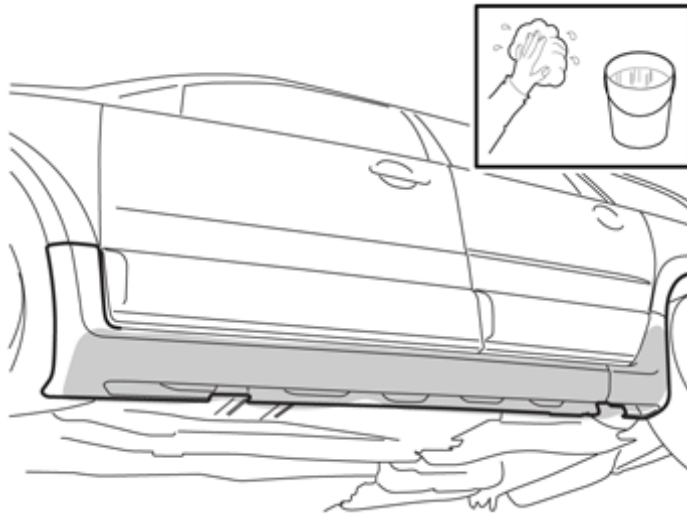
Ensure that all tools stated in the instructions are available before starting installation.

Certain steps in the instructions are only presented in the form of images. Explanatory text is also given for more complicated steps.

In the event of any problems with the instructions or the accessory, contact your local Volvo dealer.

Installation of sill decor

1



IMG-282005

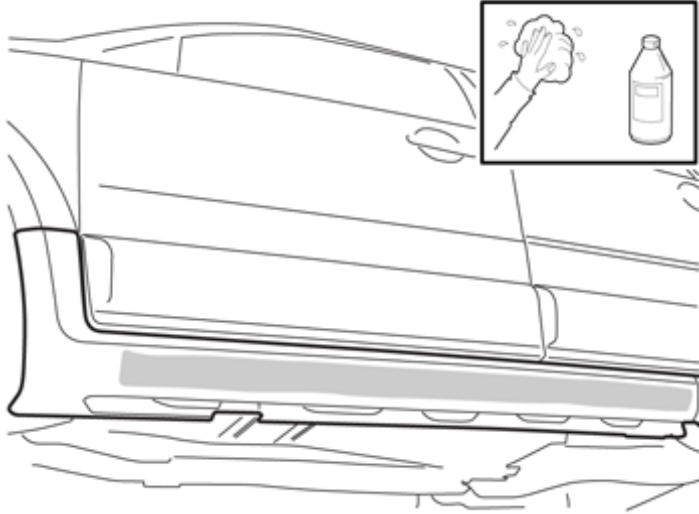
Installation of sill decor

Clean the door sills thoroughly on both sides, even underneath.

Installation instructions, accessories

Volvo Car Corporation Gothenburg, Sweden

2

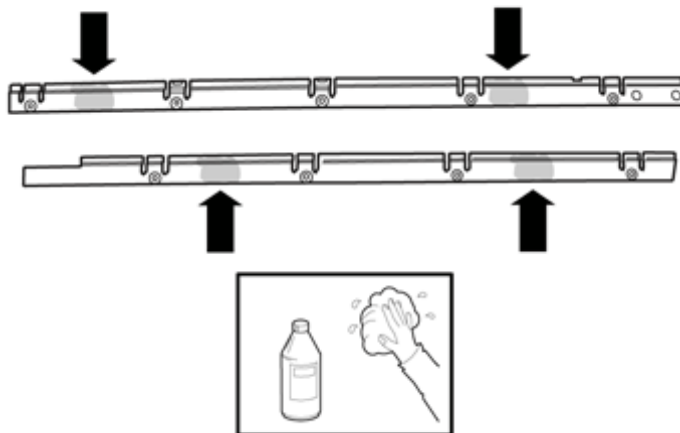


IMG-282006

Clean the door sill panels using isopropanol where the decor panel's holder is to be positioned.

Wipe dry.

3



IMG-282703

Take a rear and front holder from the kit. Clean the surfaces that are to be positioned against the door sill panel where the pieces of tape are to be positioned. Use isopropanol.

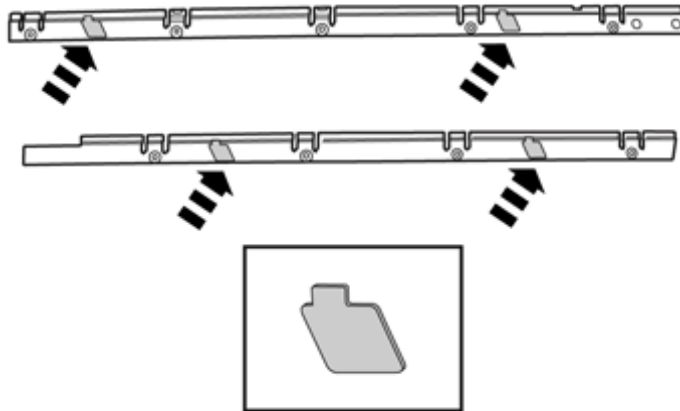
Wipe dry.

Installation instructions, accessories

Volvo Car Corporation Gothenburg, Sweden

4

Press the pieces of tape onto the holders.

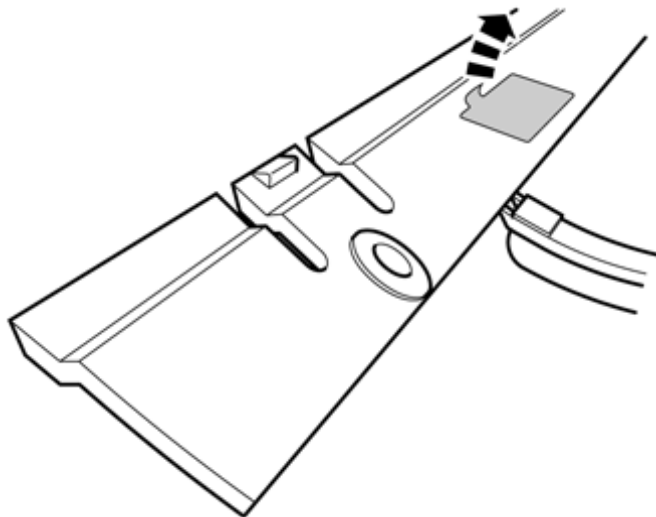


IMG-282704

5

The holders are marked and only fit in one place. Start with the rear holder.

Remove the protective tape from the pieces of mounting tape.

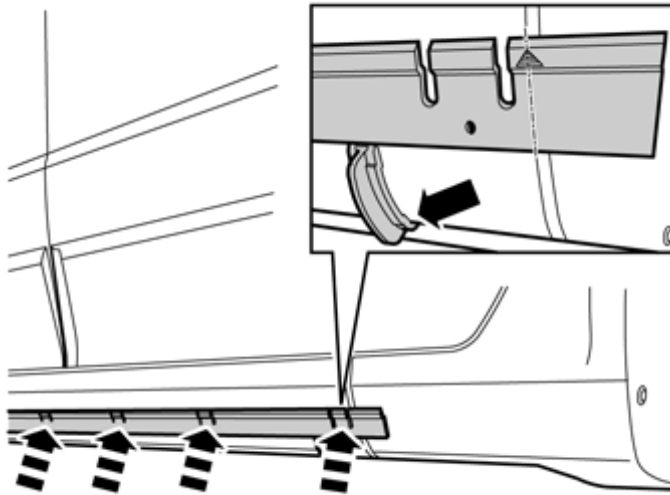


IMG-282007

Installation instructions, accessories

Volvo Car Corporation Gothenburg, Sweden

6



IMG-282008

Align the ends of the markings that are at the rear edge on the rear holder, with the front part of the joint between the door sill panels.

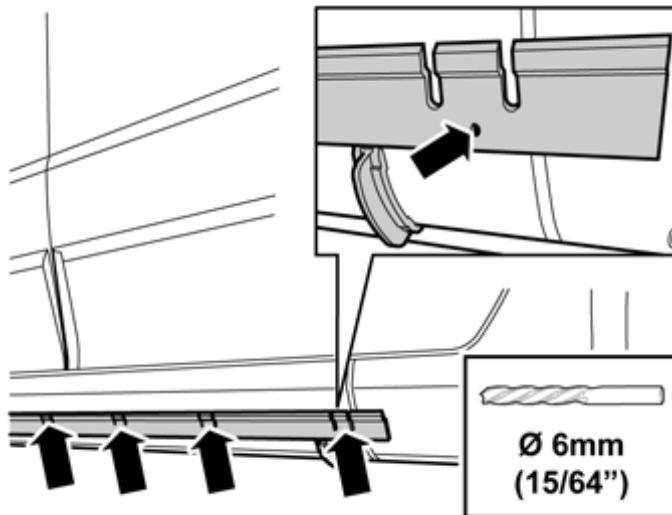
Note!

Ensure that the tape does not adhere yet.

At the same time, hook the holder underneath on the door sill panel using the hooks.

Press the middle of the pieces of mounting tape.

7



IMG-282009

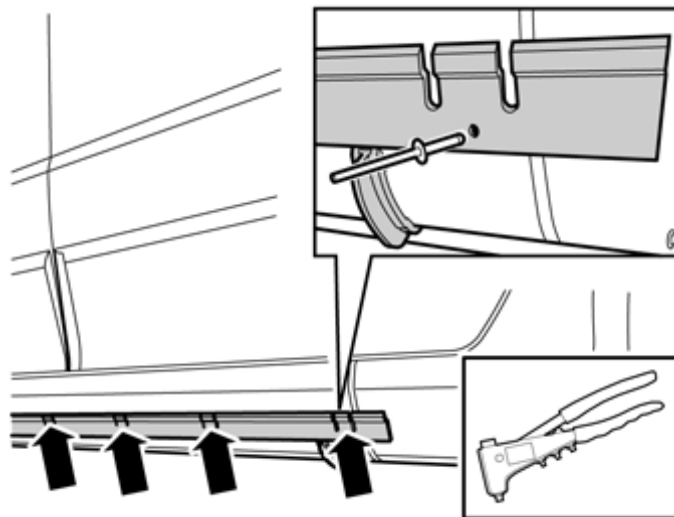
Drill out the four marked holes in the holder using a Ø6 mm (15/64") drill bit.

Remove any swarf.

Installation instructions, accessories

Volvo Car Corporation Gothenburg, Sweden

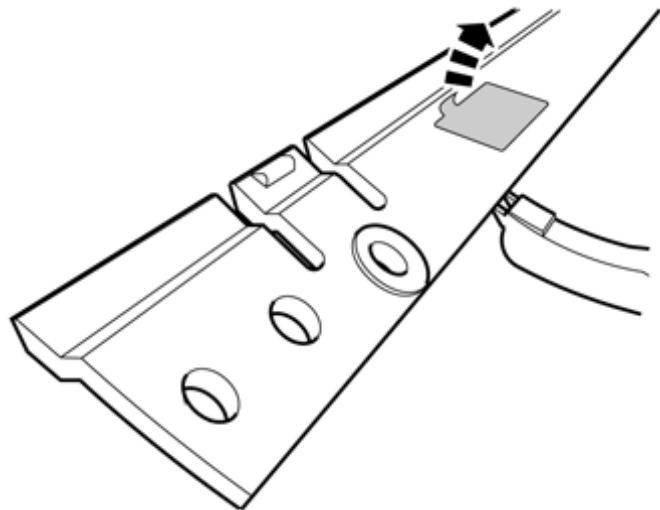
8



IMG-282010

Take pop rivets from the kit. Rivet the holder to the door sill panel.

9



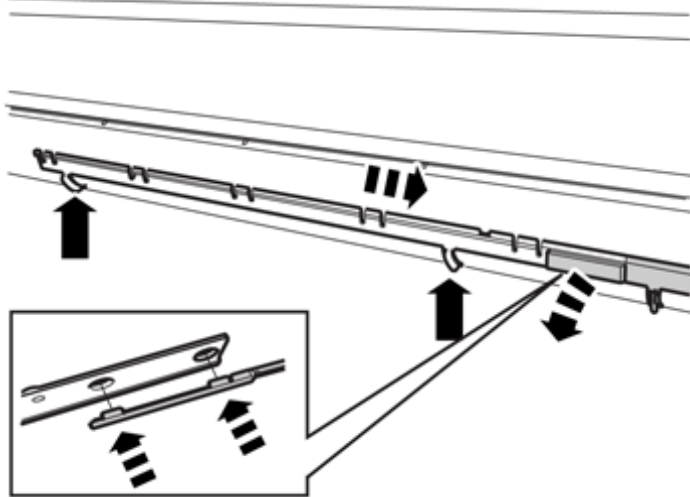
IMG-282011

Remove the protective tape from the mounting tape on the front holder.

Installation instructions, accessories

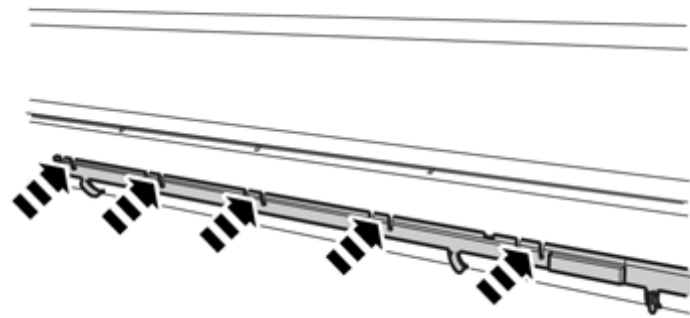
Volvo Car Corporation Gothenburg, Sweden

10A



IMG-282012

10B



IMG-282013

Illustration A

Pry out the rear holder at the front edge. Slide in the front holder so that the holes align in the lugs at the rear.

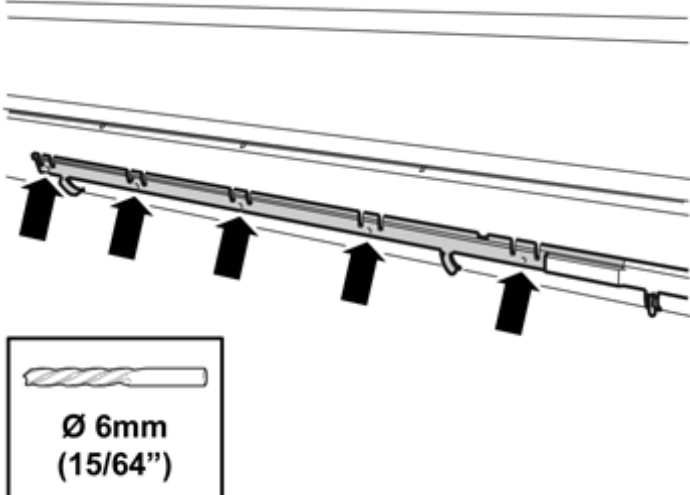
Note!

Ensure that the tape does not adhere yet.

Illustration B

Hook the mounting hooks at the lower edge and press the holder opposite the pieces of mounting tape.

11



IMG-282014

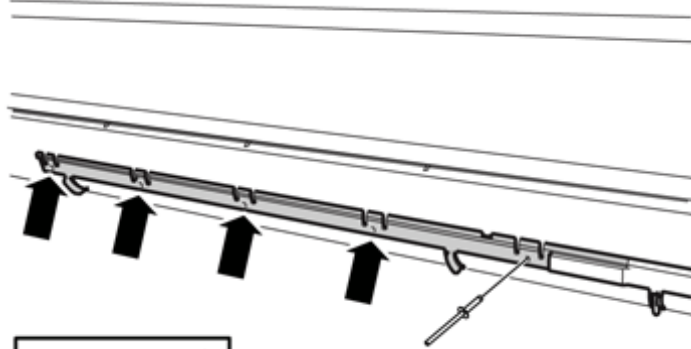
Drill out the five marked holes in the holder using a $\text{\O}6$ mm ($15/64$ ") drill bit.

Remove any swarf.

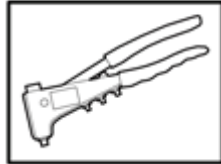
Installation instructions, accessories

Volvo Car Corporation Gothenburg, Sweden

12

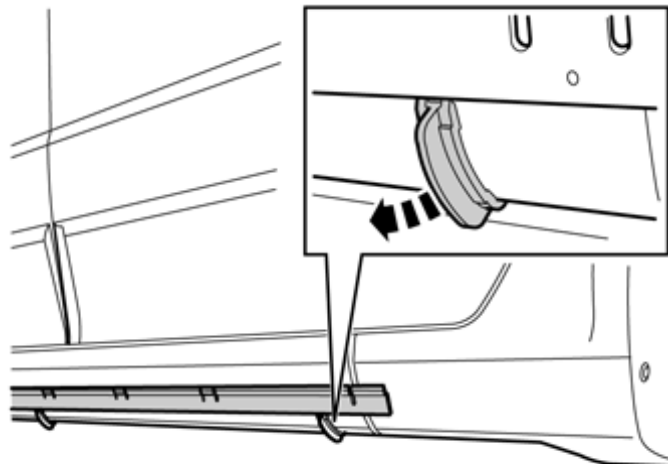


Take pop rivets from the kit. Rivet the holder to the door sill panel.



IMG-282015

13



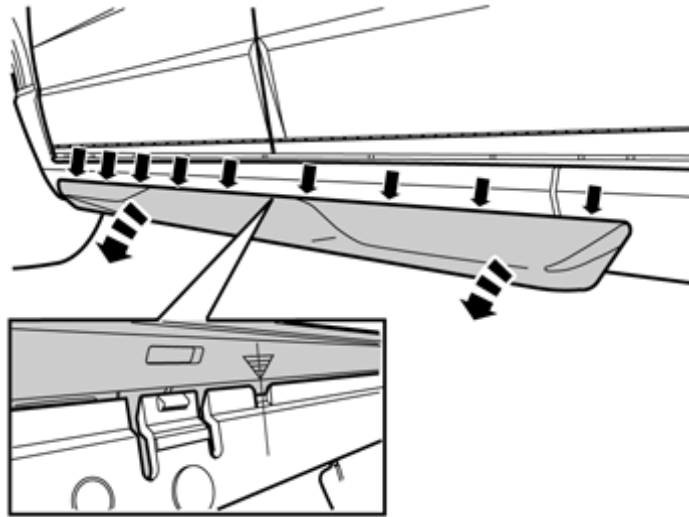
Twist loose the four mounting hooks from the holder.

IMG-282016

Installation instructions, accessories

Volvo Car Corporation Gothenburg, Sweden

14

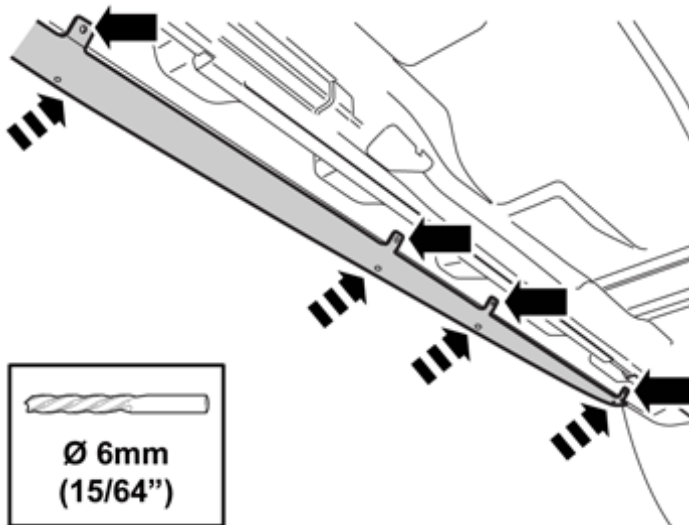


IMG-282017

Hook the sill decor onto the holders. Start opposite the marking on the decor strip and cut-out, at the rear section of the front holder.

Press the decor strip into position securely so that all hooks engage.

15



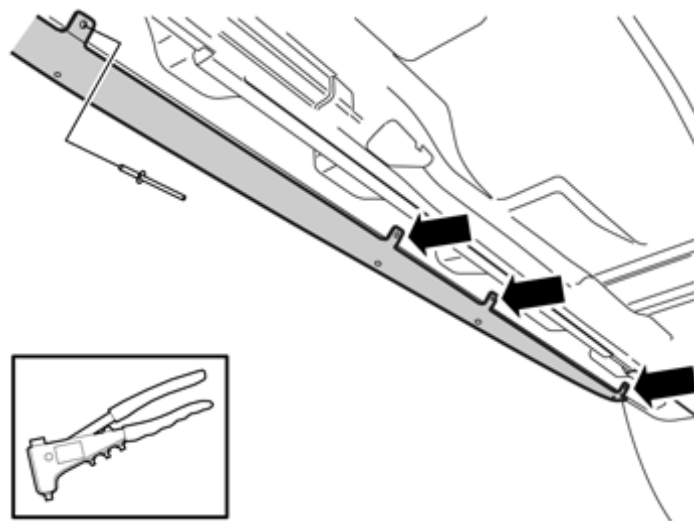
IMG-282018

Press in the sill decor opposite the mounting eyelets against the underneath of the door sill panel. Drill out the holes through these using a $\text{\O}6$ mm ($15/64$ ") drill bit. Remove any swarf.

Installation instructions, accessories

Volvo Car Corporation Gothenburg, Sweden

16



IMG-282019

Rivet the mounting eyelets to the body using pop rivets.

17

Repeat all steps for the other side.