



Installation instructions, accessories

Volvo Car Corporation Gothenburg, Sweden

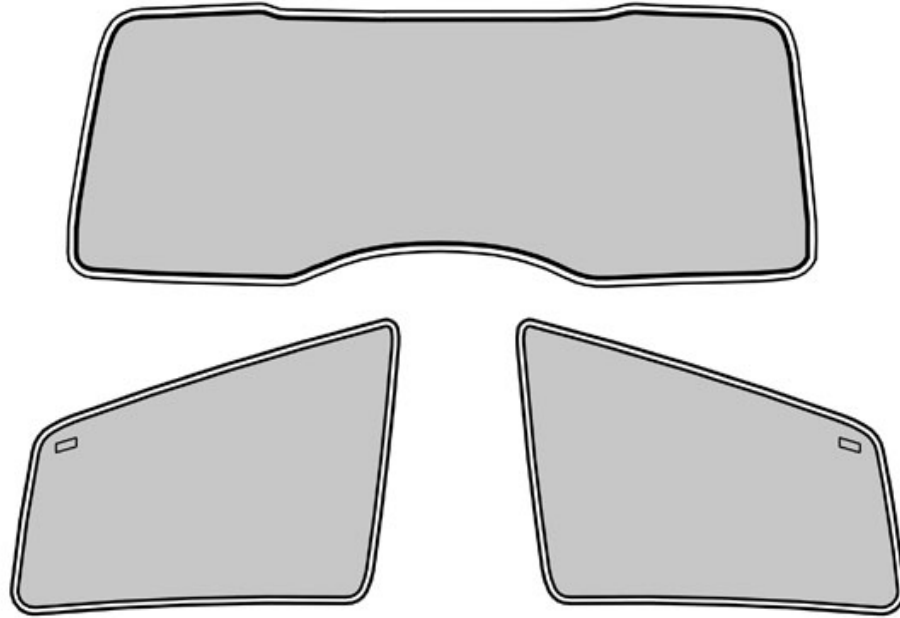
Instruction No	Version	Part. No.
31414229	1.0	31399208

Sunshade, load compartment



Installation instructions, accessories

Volvo Car Corporation Gothenburg, Sweden



IMG-378056



Installation instructions, accessories

Volvo Car Corporation Gothenburg, Sweden

Information

1

Read through all of the instructions before starting installation.

Notifications and warning texts are for your safety and to minimise the risk of something breaking during installation.

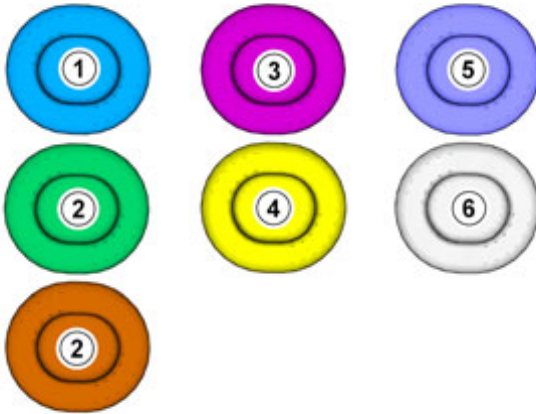
Ensure that all tools stated in the instructions are available before starting installation.

Certain steps in the instructions are only presented in the form of images. Explanatory text is also given for more complicated steps.

In the event of any problems with the instructions or the accessory, contact your local Volvo dealer.

Color symbols

2



1. Used for focused component, the component with which you will do something.
2. Used as extra colors when you need to show or differentiate additional parts.
3. Used for attachments that are to be removed/installed. May be screws, clips, connectors, etc.
4. Used when the component is not fully removed from the vehicle but only hung to the side.
5. Used for standard tools and special tools.
6. Used as background color for vehicle components.

IMG-363036

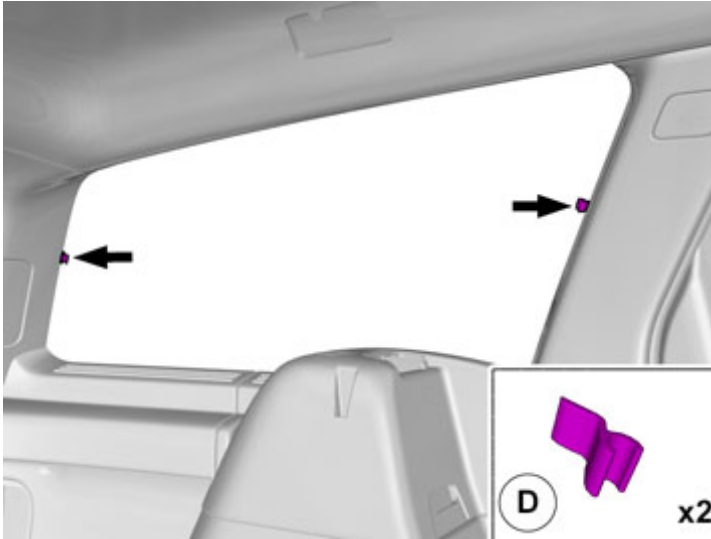
Accessory installation



Installation instructions, accessories

Volvo Car Corporation Gothenburg, Sweden

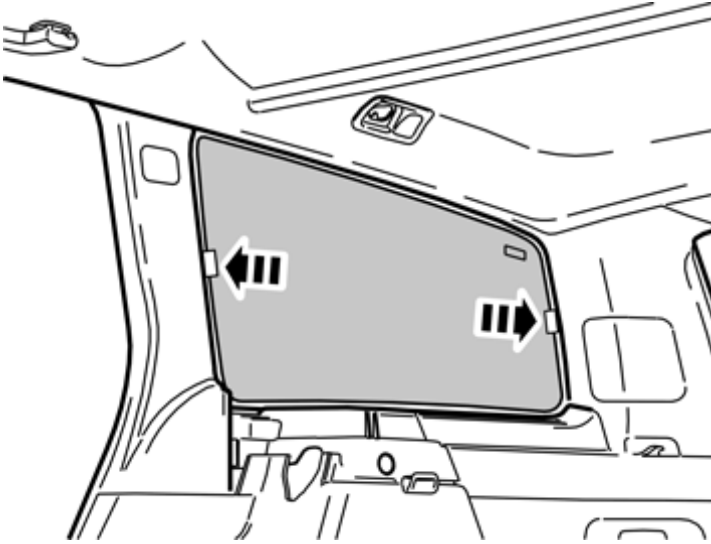
3



IMG-378048

Install the clip(s).

4



IMG-230474

Note!

Ensure that the component is installed with the correct side facing out, as illustrated.

Install component that comes with the accessory kit.

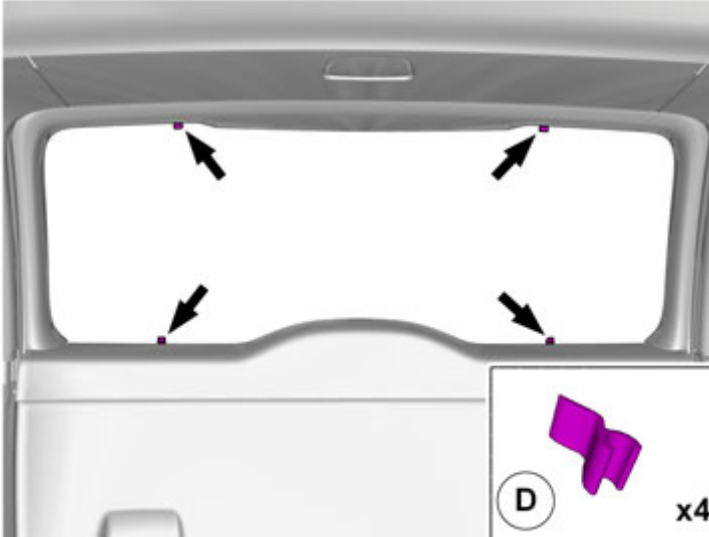
Repeat the steps when installing accessories on opposite side.



Installation instructions, accessories

Volvo Car Corporation Gothenburg, Sweden

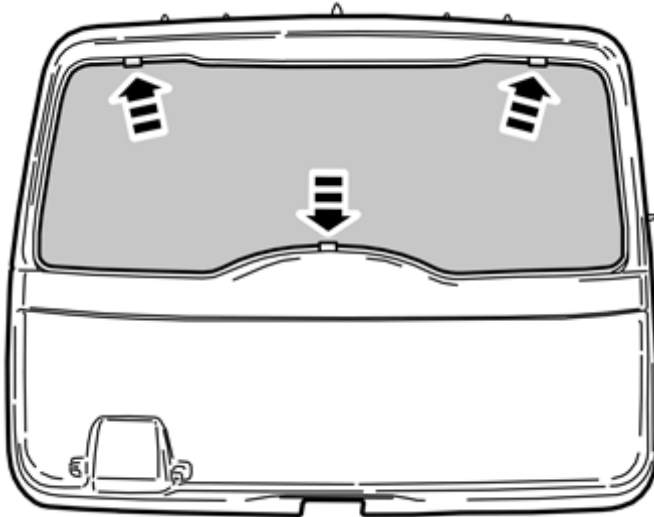
5



IMG-378051

Install the clip(s).

6



IMG-227489

Note!

Ensure that the component is installed with the correct side facing out, as illustrated.

Install component that comes with the accessory kit.