



Installation instructions, accessories

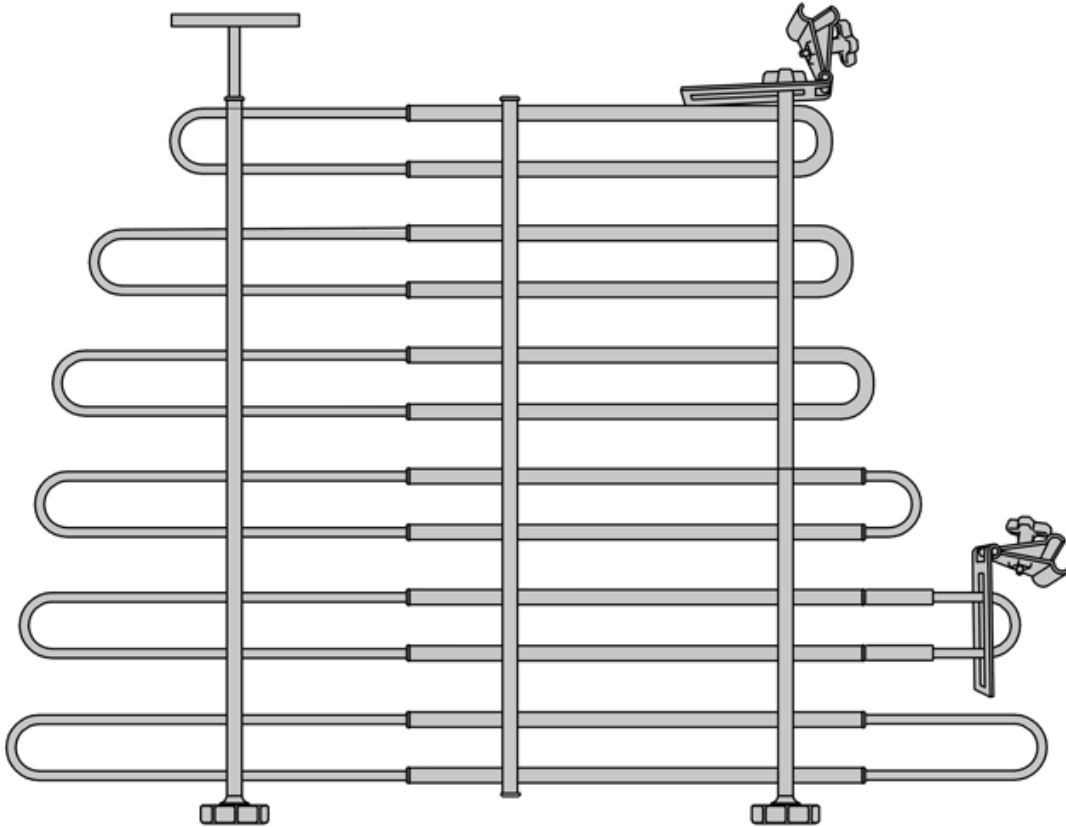
Volvo Car Corporation Gothenburg, Sweden

Instruction No
30740180

Version
1.1

Part. No.
30740063

Load compartment divider

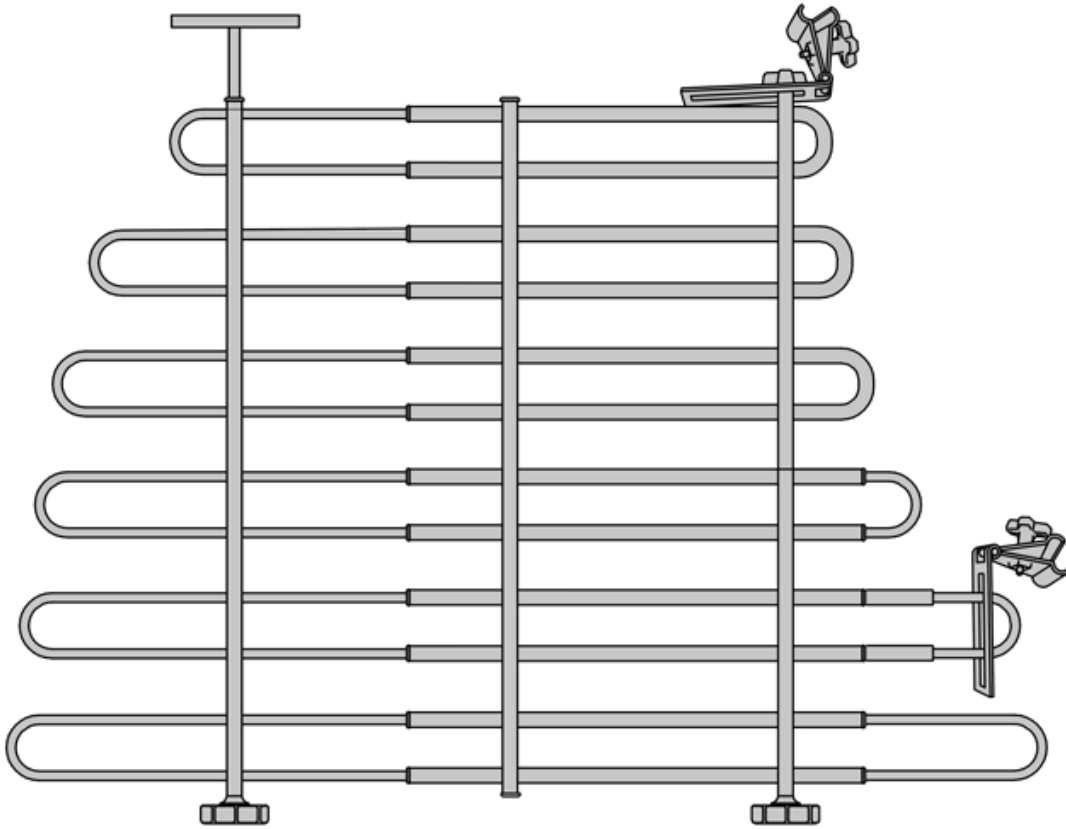


IMG-214620



Installation instructions, accessories

Volvo Car Corporation Gothenburg, Sweden



IMG-214620



Installation instructions, accessories

Volvo Car Corporation Gothenburg, Sweden

Any comments on this publication? Please contact your nearest retailer. Thank You!

| | | |
|----------------|--------|---------|
| Publ.no: | Issue: | Kit no: |
| Comments:..... | | |
| | | |
| | | |
| | | |

| | |
|------------|--|
| From: | |
| Address: | |
| Telephone: | |
| Telefax: | |

IMG-213320



Installation instructions, accessories

Volvo Car Corporation Gothenburg, Sweden

INTRODUCTION

Read through all of the instructions before starting installation.

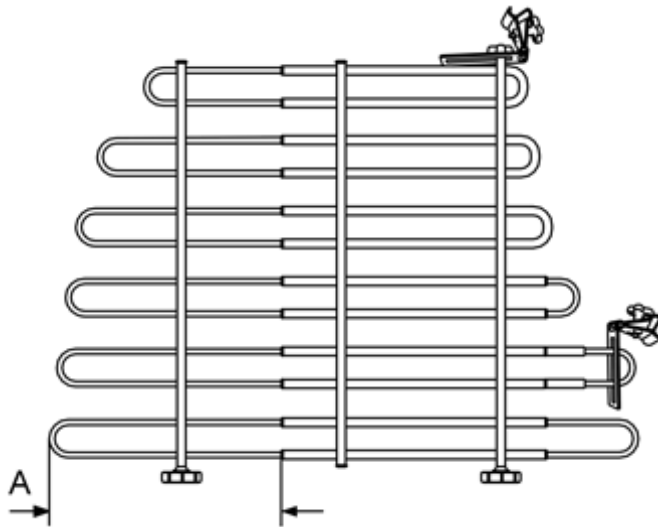
Notifications and warning texts are for your safety and to minimise the risk of something breaking during installation.

Ensure that all tools stated in the instructions are available before starting installation.

Certain steps in the instructions are only presented in the form of images. Explanatory text is also given for more complicated steps.

In the event of any problems with the instructions or the accessory, contact your local Volvo dealer.

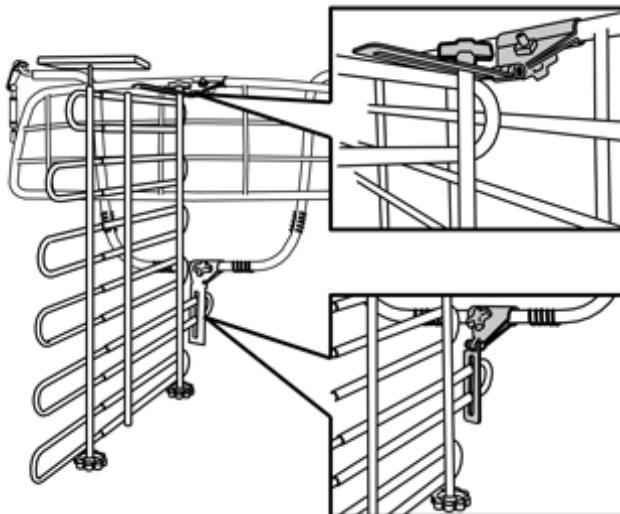
1



IMG-214622

Before installing check the measurement at point A = 333 mm. Adjust as necessary.

2



IMG-214623

Position the cargo compartment wall with the clamps into the car.

Open the upper clamp and affix it loosely on the top bar of the safety grille.

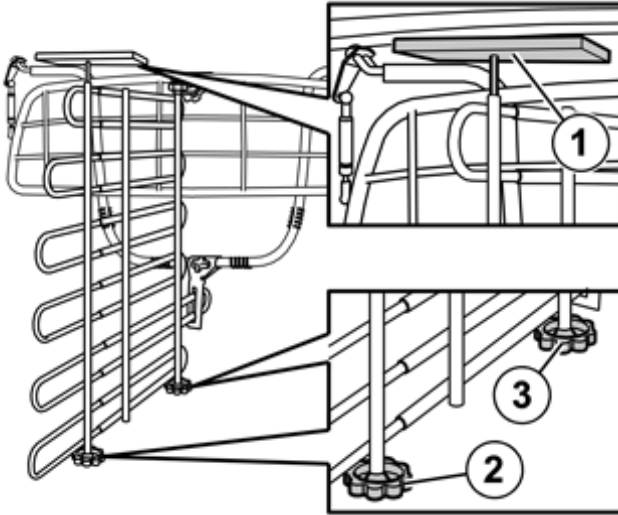
Open the lower clamp and affix it as illustrated. Tighten the clamps only exactly as much as necessary to grip the grille, do not tighten them yet.



Installation instructions, accessories

Volvo Car Corporation Gothenburg, Sweden

3



IMG-214624

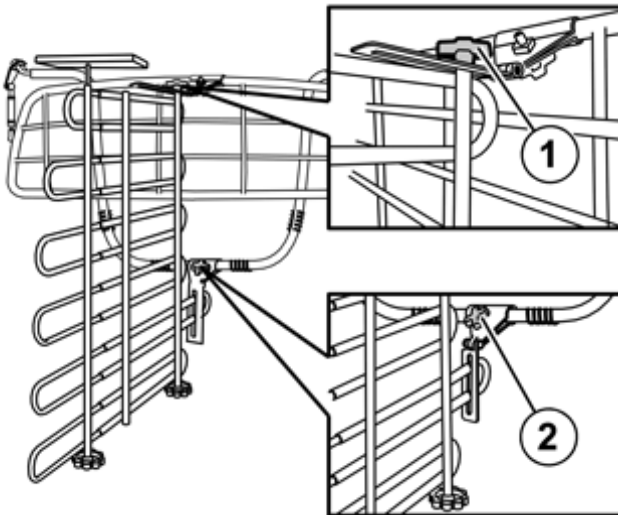
Adjust so that the cargo compartment wall is vertical and in the centre of the cargo compartment.

The support plate (1) must be parallel with the roof panel.

Screw down the rear support foot (2) so that the cargo compartment wall is tensioned.

Screw down the front support foot (3) so that the cargo compartment wall stands in a straight, vertical position.

4



IMG-214625

Tighten the knobs (1) and (2).

Check that the cargo compartment wall does not make contact with the tailgate when it closes.