



Installation instructions, accessories

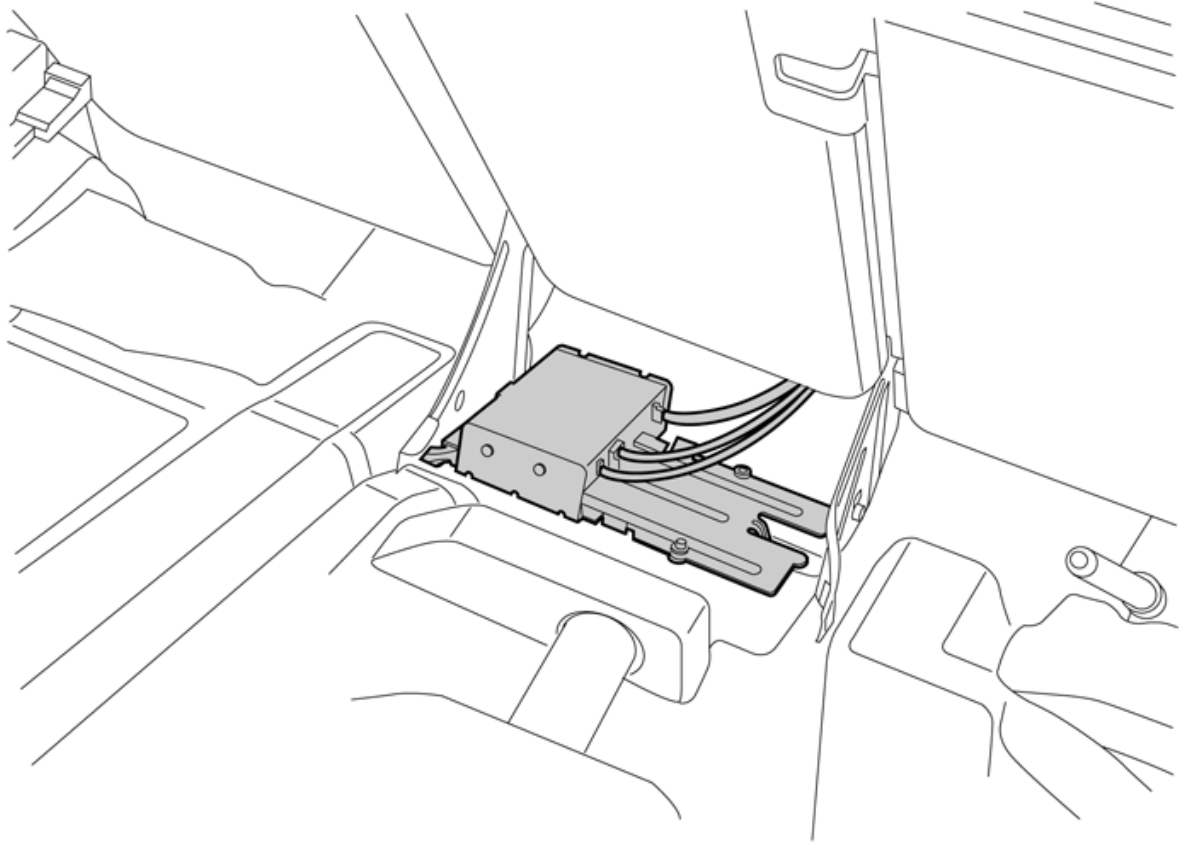
Volvo Car Corporation Gothenburg, Sweden

Instruction No
30672932

Version
1.3

Part. No.
31359668, 31359450, 30672931

Satellite radio



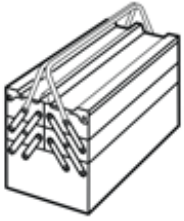
IMG-261923



Installation instructions, accessories

Volvo Car Corporation Gothenburg, Sweden

Equipment



A0000162

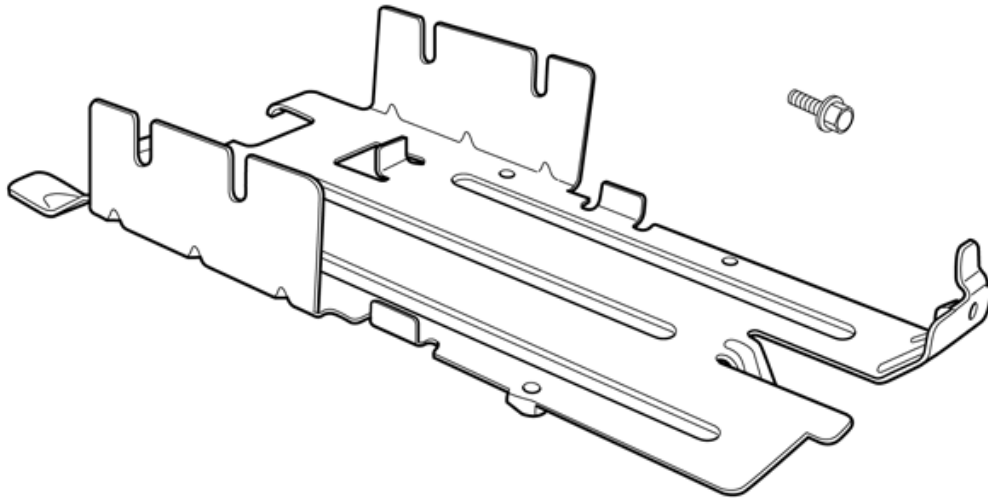
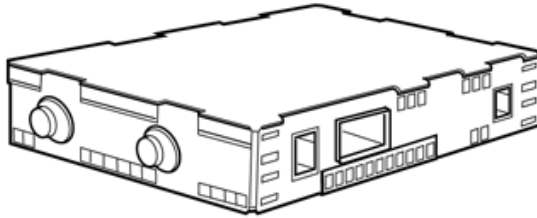
VIDA

IMG-242205



IMG-239664

Nm
lbf.ft



IMG-261924



Installation instructions, accessories

Volvo Car Corporation Gothenburg, Sweden

Any comments on this publication? Please contact your nearest retailer. Thank You!

Publ.no:	Issue:	Kit no:
Comments:.....		
.....		
.....		
.....		

From:	
Address:	
Telephone:	
Telefax:	

IMG-213320



Installation instructions, accessories

Volvo Car Corporation Gothenburg, Sweden

INTRODUCTION

Read through all of the instructions before starting installation.

Notifications and warning texts are for your safety and to minimise the risk of something breaking during installation.

Ensure that all tools stated in the instructions are available before starting installation.

Certain steps in the instructions are only presented in the form of images. Explanatory text is also given for more complicated steps.

In the event of any problems with the instructions or the accessory, contact your local Volvo dealer.

Note!

Some steps in these installation instructions are presented with illustration only.

Note!

On cars with a subwoofer, a fibre optic adapter cable is required to be able to connect the satellite receiver.

1



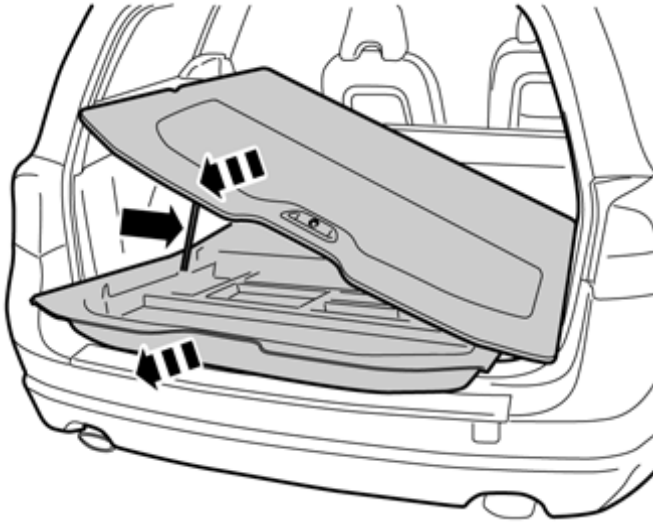
IMG-245980



Installation instructions, accessories

Volvo Car Corporation Gothenburg, Sweden

2



IMG-262243

Fold up the luggage compartment floor.

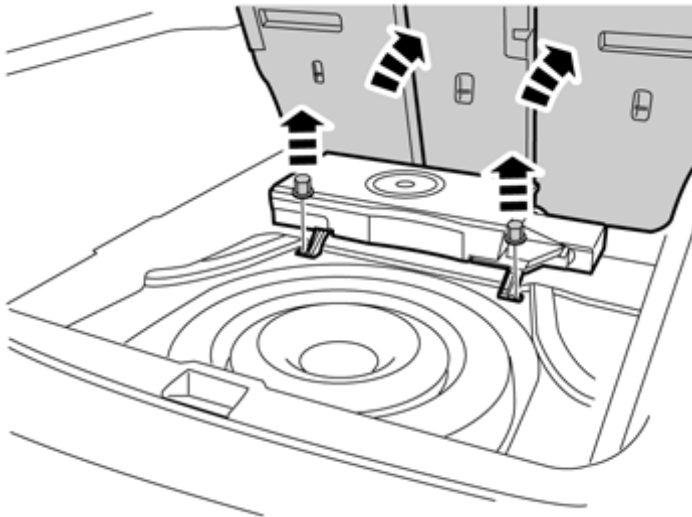
Pull it from the mountings at the front edge.

Pull out the luggage compartment floor and the storage box slightly to access the area behind the backrest.

Note!

Note the luggage compartment floor's gas strut.

3



IMG-261926

Steps 3-6 apply to cars with subwoofer

Remove the rear plastic nuts for the subwoofer.

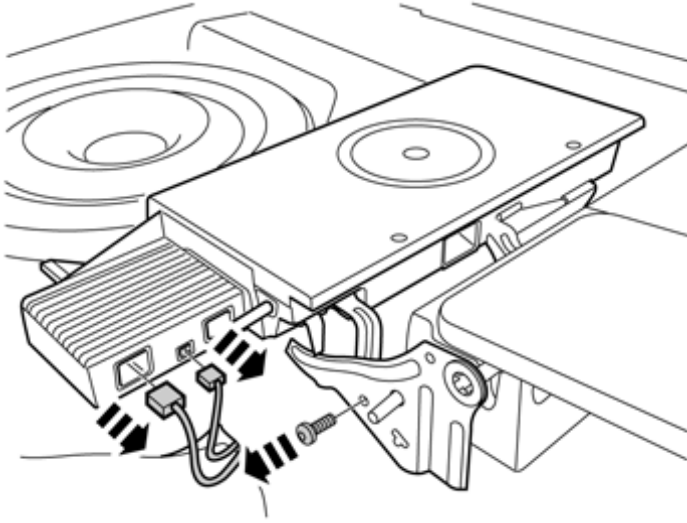
Fold the backrest forward.



Installation instructions, accessories

Volvo Car Corporation Gothenburg, Sweden

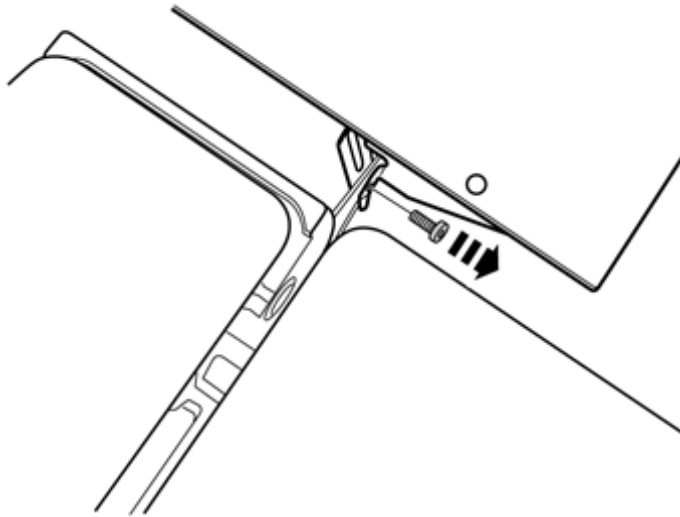
4



IMG-261927

Disconnect the connectors from the subwoofer.
Remove the screw from the right-hand mounting.

5



IMG-261928

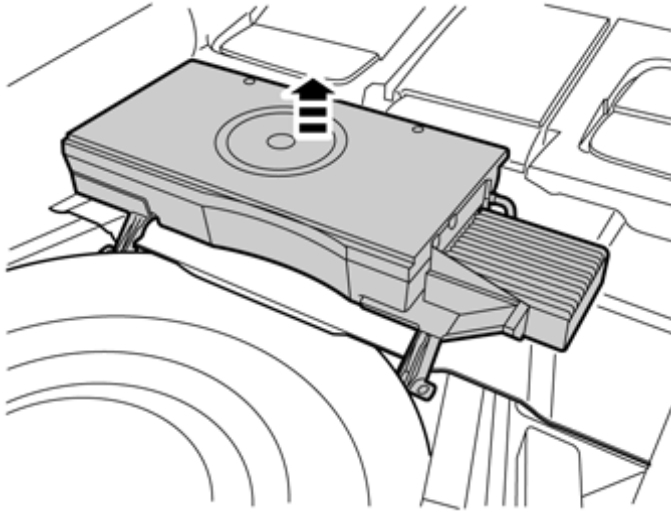
Remove the screw from the left-hand mounting.



Installation instructions, accessories

Volvo Car Corporation Gothenburg, Sweden

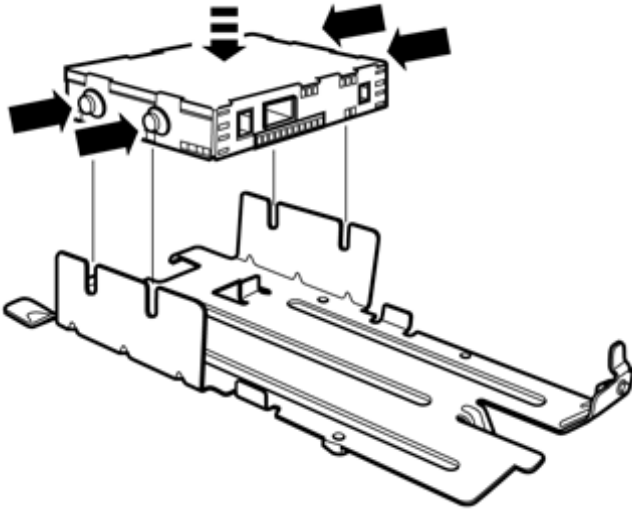
6



IMG-261929

Installation

7



IMG-261930

Installation

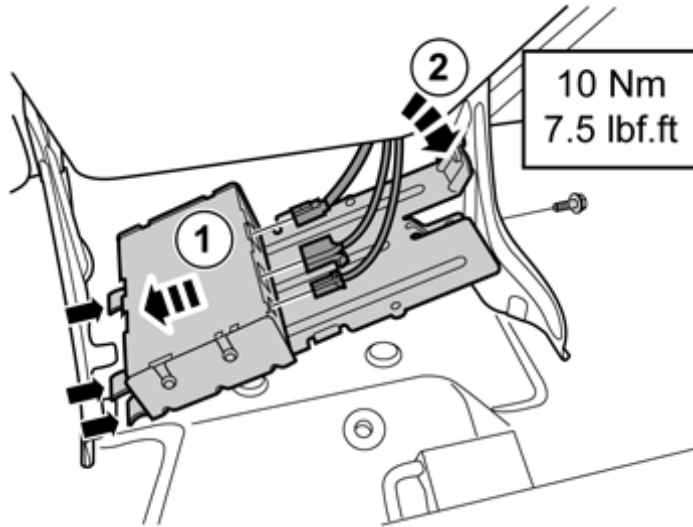
Applies to all models



Installation instructions, accessories

Volvo Car Corporation Gothenburg, Sweden

8



IMG-261931

Applies to cars without subwoofer

Install the satellite unit with bracket on the reverse of the rear backrest.

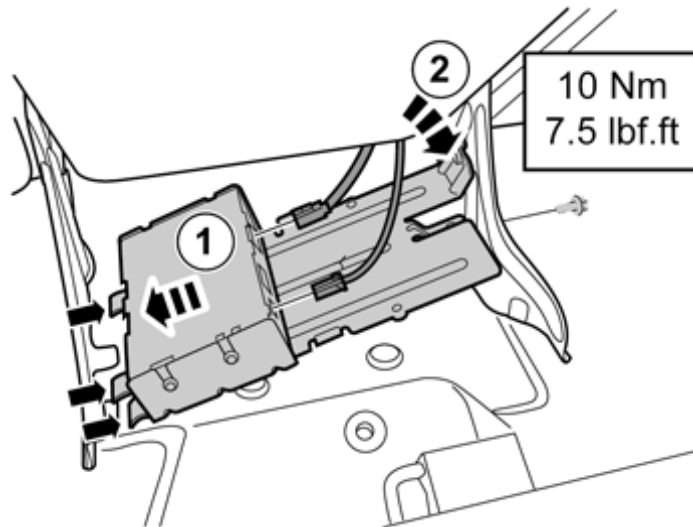
Install the screw and torque tighten to 10 Nm (7.5 lbf.ft.)

Connect pre-routed cables to the unit:

power supply, antenna cable and fibre optic cable.

These are located under the floor carpet in the connection for the location of the unit.

9



IMG-325948

Steps 9-14 apply to cars with subwoofer

Install the satellite unit with bracket on the reverse of the rear backrest.

Install the screw and torque tighten to 10 Nm (7.5 lbf.ft.)

Connect pre-routed cables to the unit:

power supply and antenna cable.

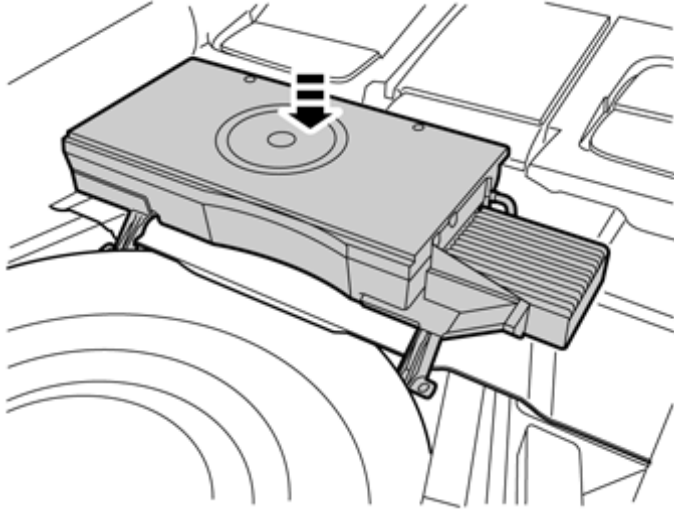
These are located under the floor carpet in the connection for the location of the unit. The new fibre optic adapter cable is connected later.



Installation instructions, accessories

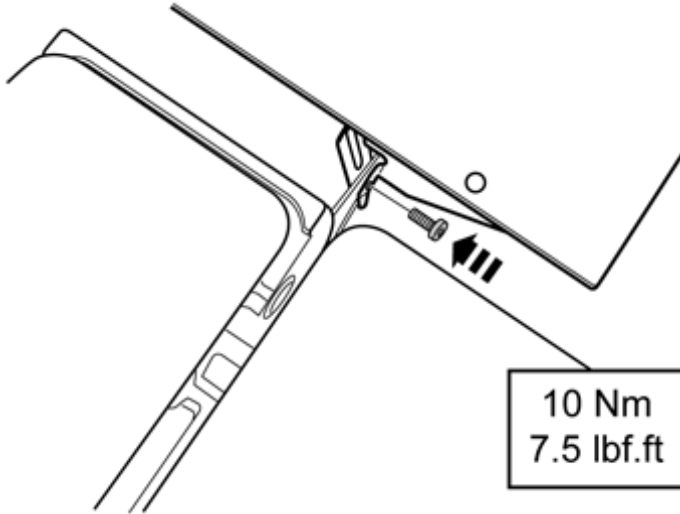
Volvo Car Corporation Gothenburg, Sweden

10



IMG-261932

11



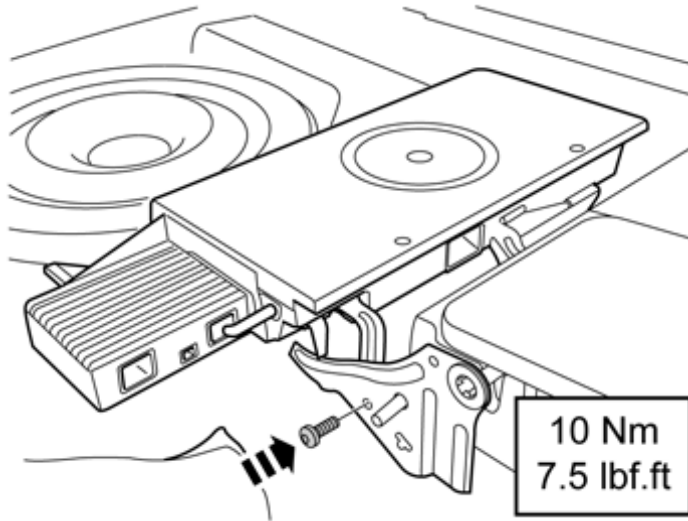
IMG-261934



Installation instructions, accessories

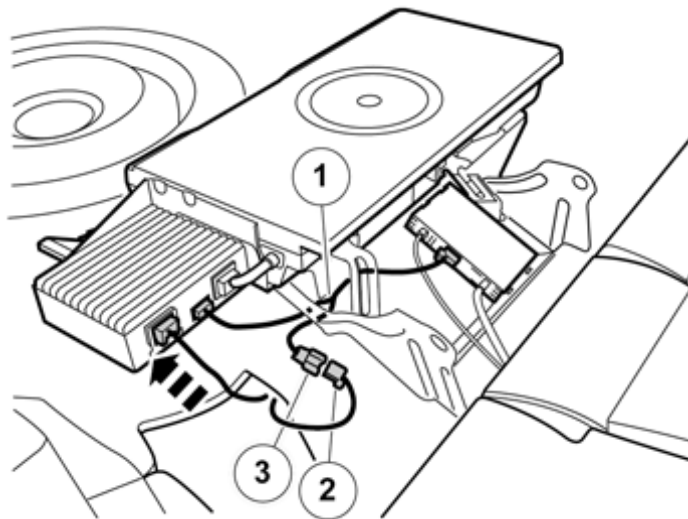
Volvo Car Corporation Gothenburg, Sweden

12



IMG-261935

13



IMG-325938

Take the fibre optic adapter cable (1) from the kit and connect both the male connectors to the Subwoofer, respectively, Sirius unit.

Connect the male connector (2), which was previously disconnected from the Subwoofer, to the female connector (3) in the fibre optic adapter cable.

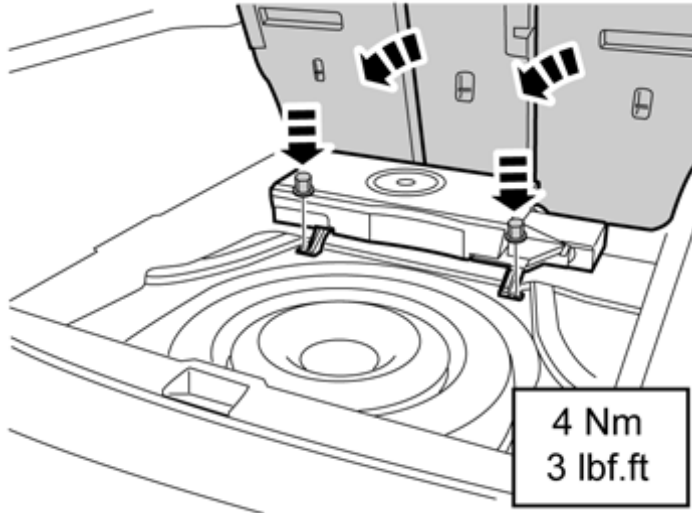
Connect the remaining power supply cable to the Subwoofer. Ensure that all cables are positioned to prevent them from being cut off.



Installation instructions, accessories

Volvo Car Corporation Gothenburg, Sweden

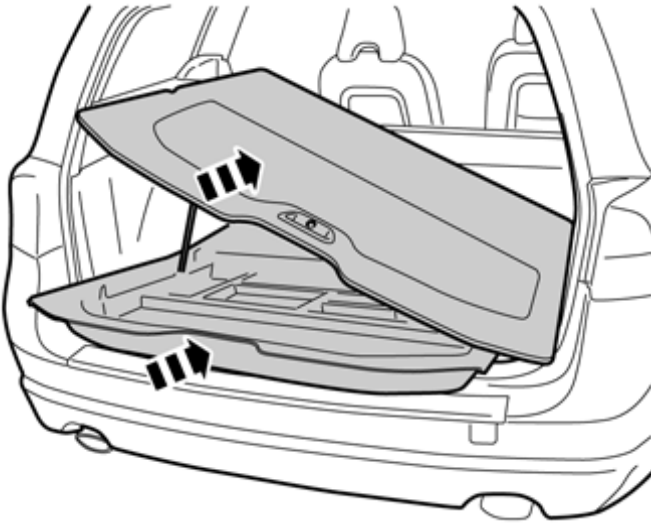
14



IMG-261936

15

Applies to all models



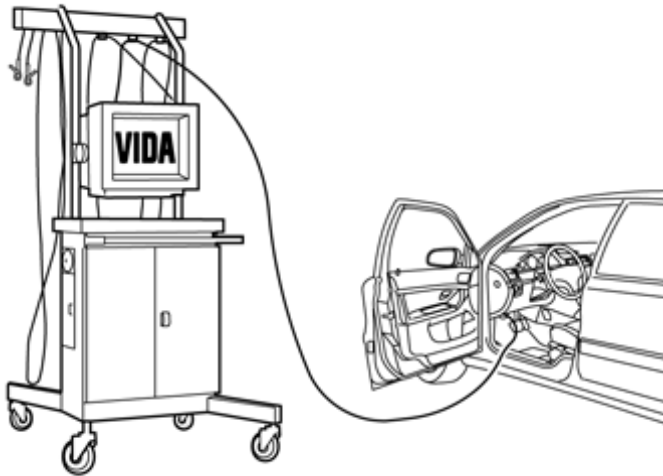
IMG-262244



Installation instructions, accessories

Volvo Car Corporation Gothenburg, Sweden

16



Download software for the accessory's function according to service information in VIDA. (See VIDA or accessories catalogue for article number on software).

IMG-242268