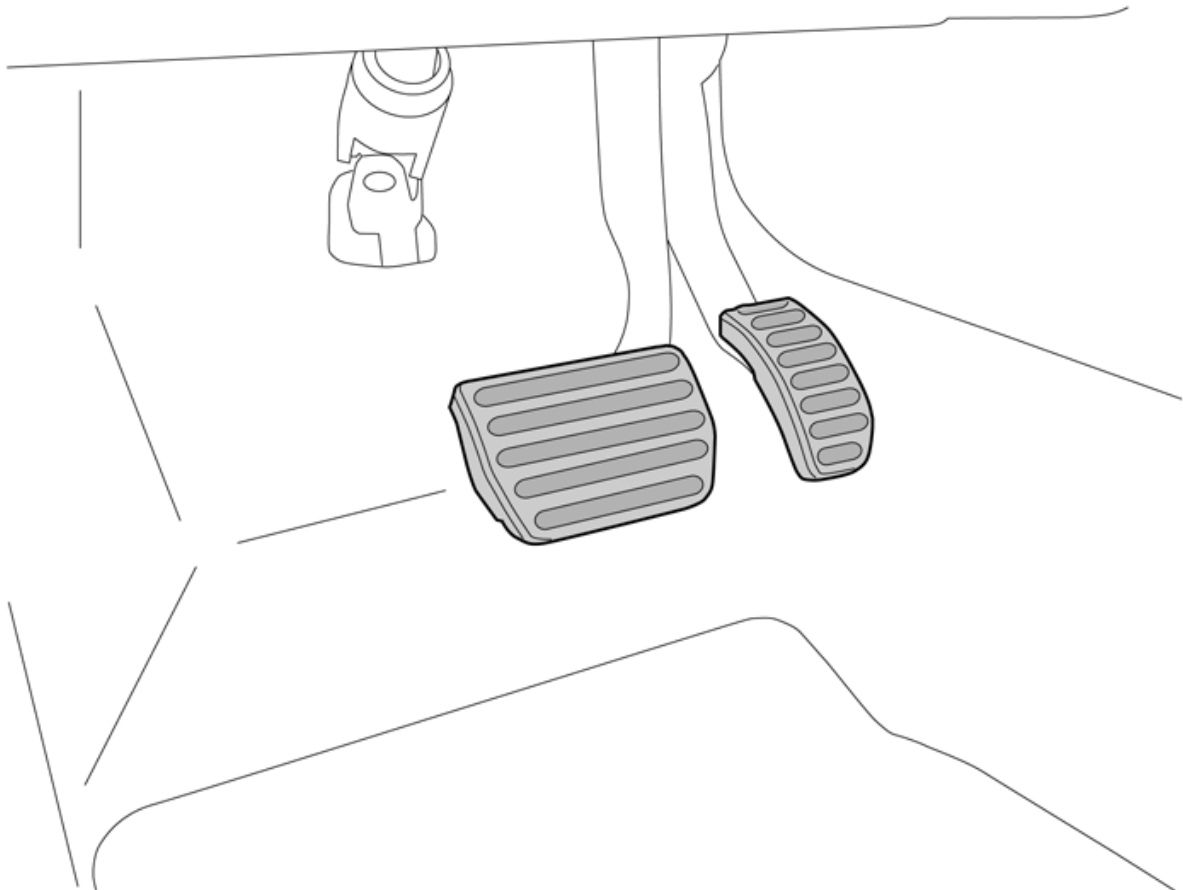


# Installation instructions, accessories

Volvo Car Corporation Gothenburg, Sweden

**Instruction No** 31317739    **Version** 1.0    **Part. No.** 31470776, 31470775, 31317622, 31317623, 31317620, 31317621

## Metal pedals



IMG-309463

### Equipment



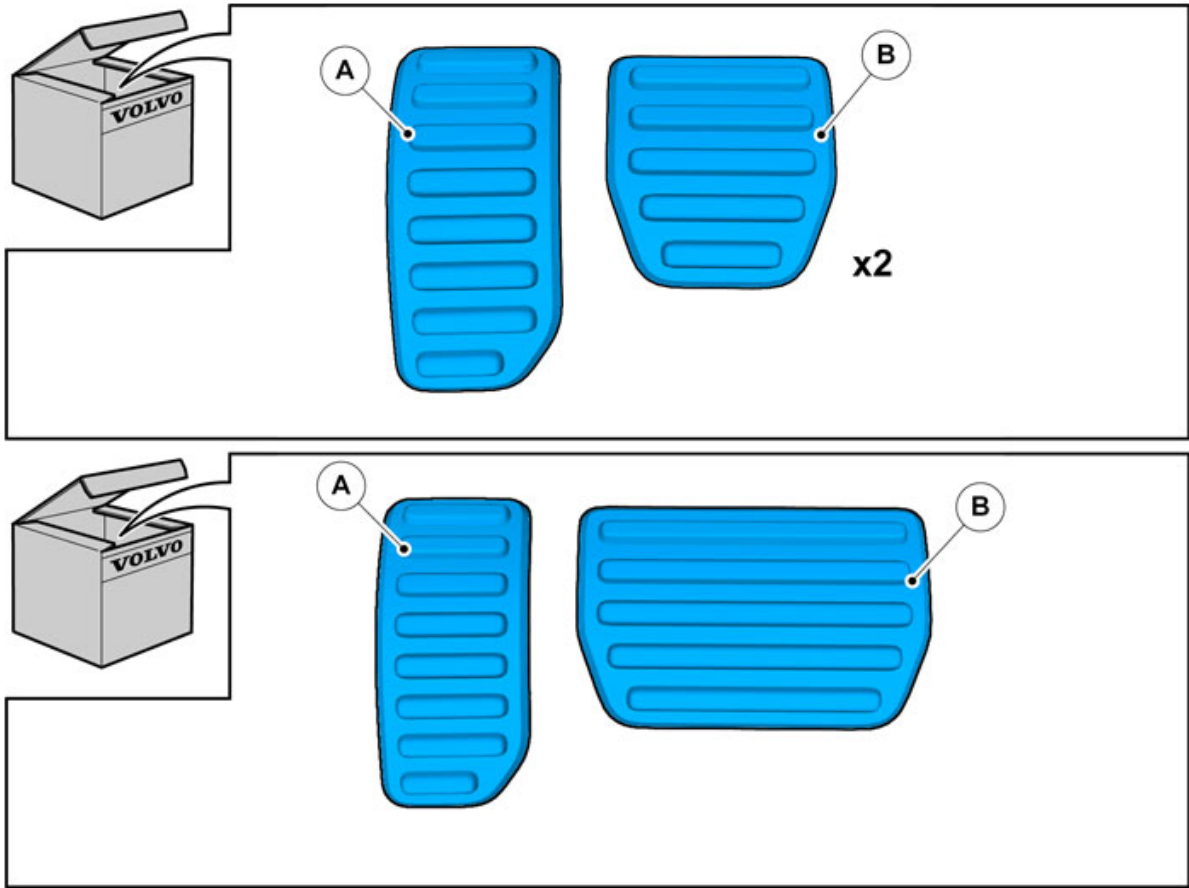
IMG-309504



IMG-239667

# Installation instructions, accessories

Volvo Car Corporation Gothenburg, Sweden



IMG-339849

# Installation instructions, accessories

Volvo Car Corporation Gothenburg, Sweden

## INTRODUCTION

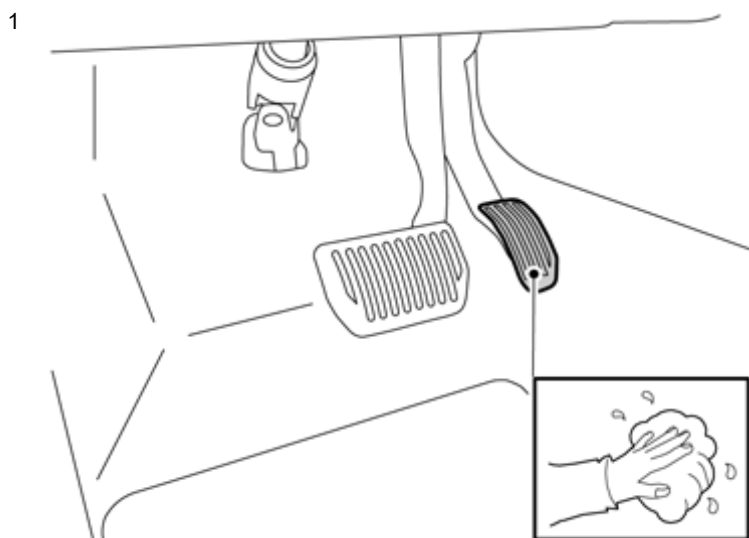
Read through all of the instructions before starting installation.

Notifications and warning texts are for your safety and to minimise the risk of something breaking during installation.

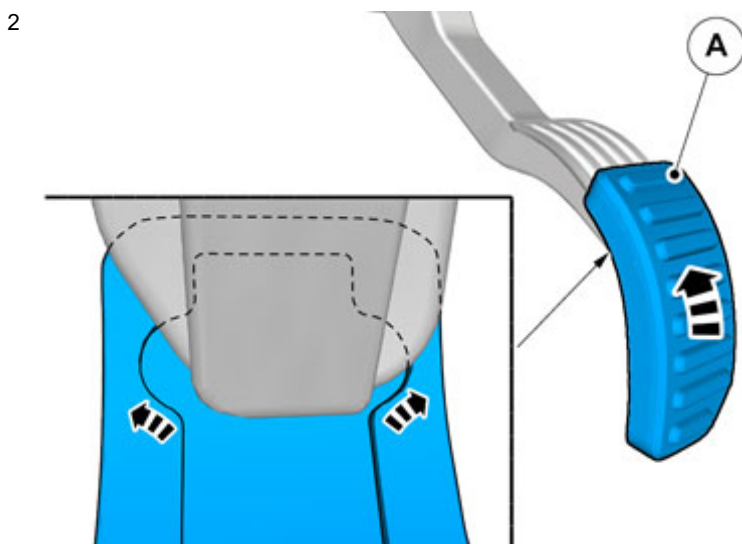
Ensure that all tools stated in the instructions are available before starting installation.

Certain steps in the instructions are only presented in the form of images. Explanatory text is also given for more complicated steps.

In the event of any problems with the instructions or the accessory, contact your local Volvo dealer.



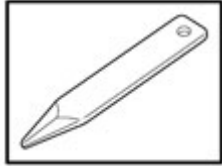
Clean the surface.



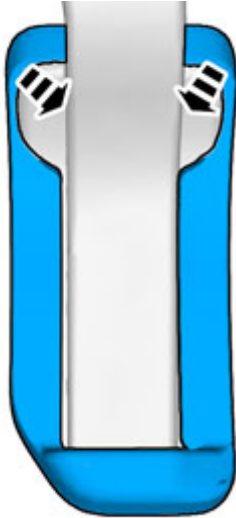
# Installation instructions, accessories

Volvo Car Corporation Gothenburg, Sweden

3



IMG-339851



4



IMG-339852



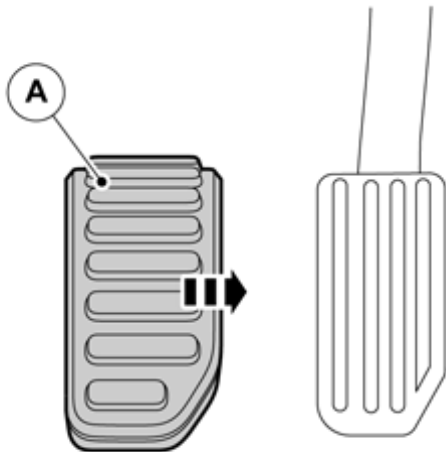
### Caution!

Using a mirror, check that the profiles of the protector are around the edges of the pedal.

# Installation instructions, accessories

Volvo Car Corporation Gothenburg, Sweden

5

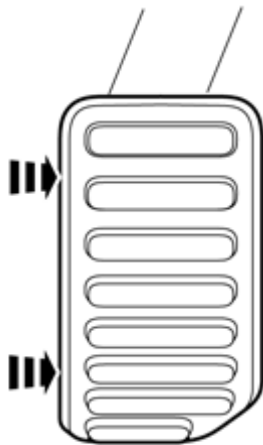


**Applies to right-hand drive vehicles**

Hook the cover onto the long side of the accelerator pedal.

IMG-309623

6



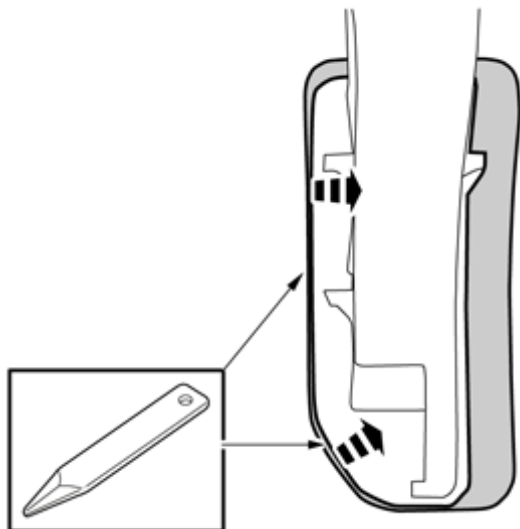
Press the protector towards the pedal.

IMG-309643

# Installation instructions, accessories

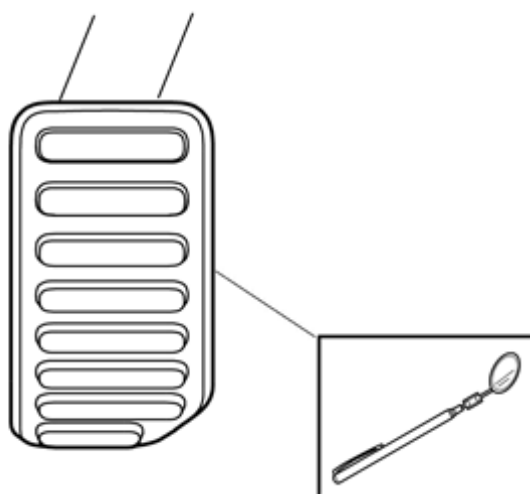
Volvo Car Corporation Gothenburg, Sweden

7



IMG-309664

8



IMG-339853

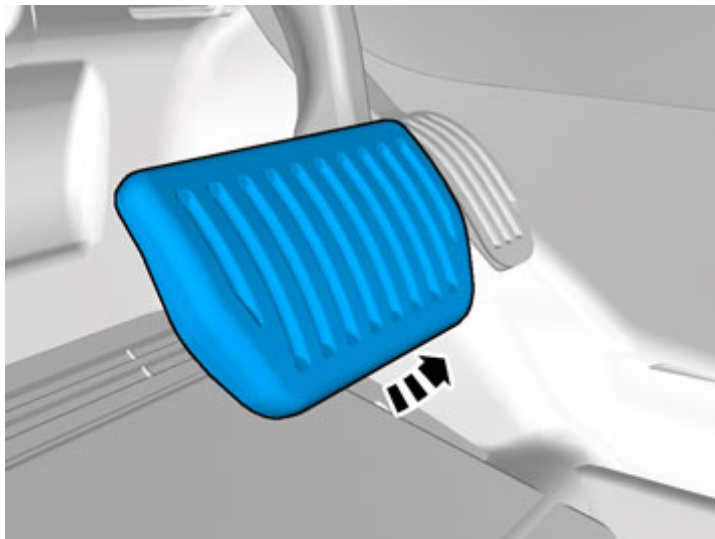
## Caution!

Using a mirror, check that the profiles of the protector are around the pedal.

# Installation instructions, accessories

Volvo Car Corporation Gothenburg, Sweden

9



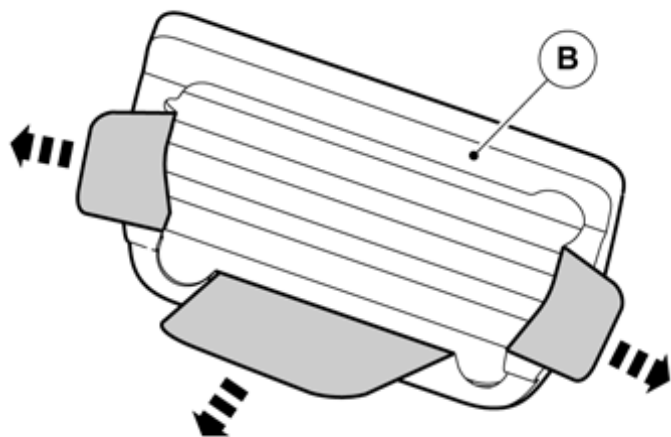
IMG-339856

Applies to cars with an automatic transmission

**Note!**

The component(s) must not be reused.

10



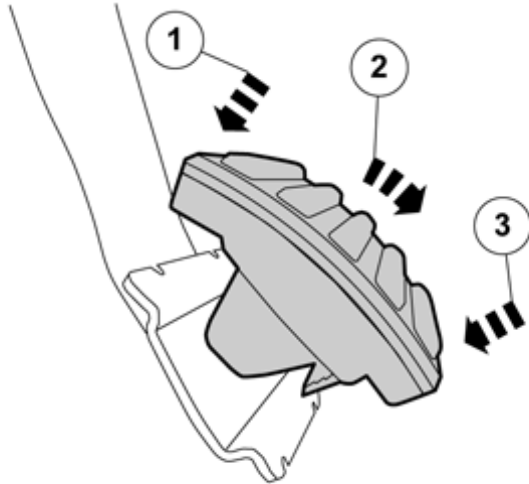
IMG-309843

Hold the pedal protector as illustrated and fold out the three tabs.

# Installation instructions, accessories

Volvo Car Corporation Gothenburg, Sweden

11

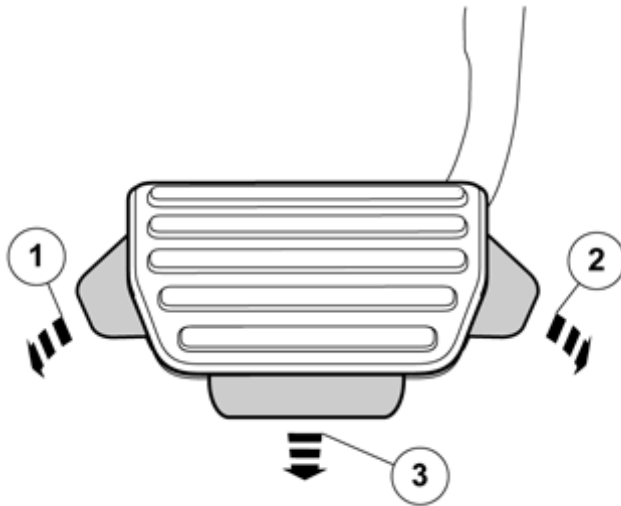


Hook the protector on at the upper edge, at the same time hold the tabs and pull downwards.

Press the protector firmly onto the pedal.

IMG-309844

12



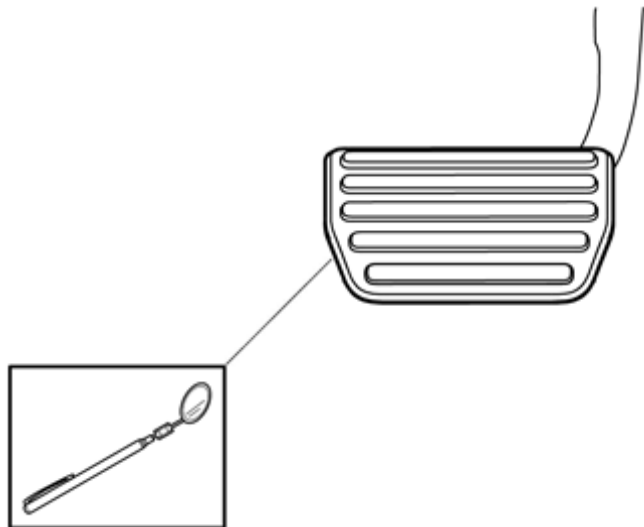
IMG-309863



# Installation instructions, accessories

Volvo Car Corporation Gothenburg, Sweden

13

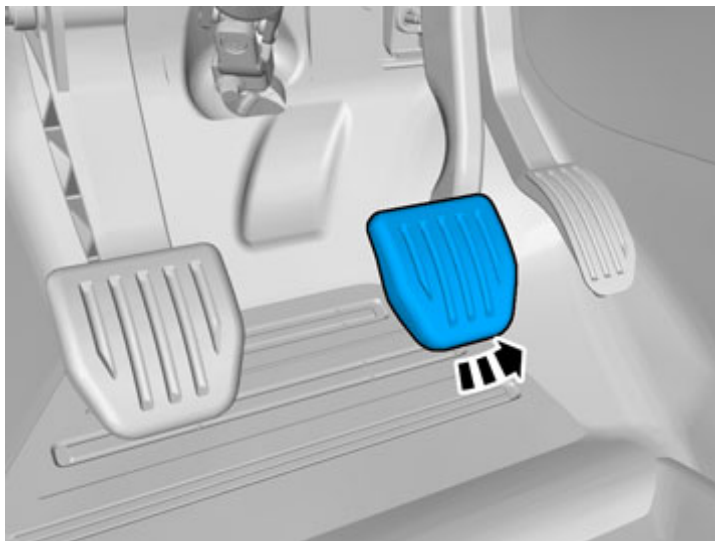


IMG-339857

### Caution!

Using a mirror, check that the profiles of the protector are around the edges of the pedal.

14



IMG-339858

Applies to cars with manual gearbox

### Note!

The component(s) must not be reused.

# Installation instructions, accessories

Volvo Car Corporation Gothenburg, Sweden

15

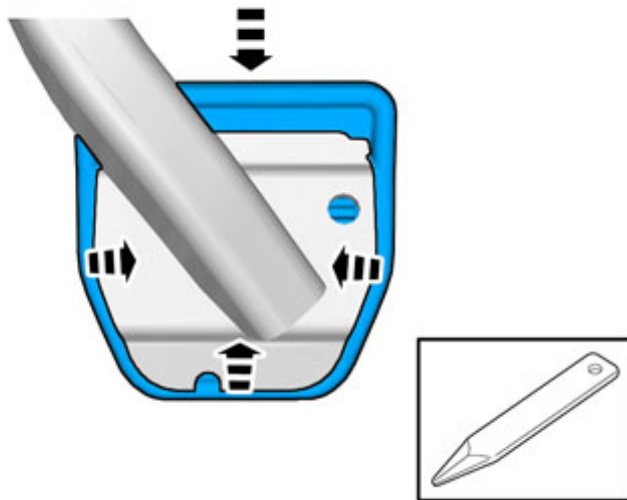


IMG-339859

**Applies to cars with manual gearbox**

Hook the protector on to the brake pedal at the upper edge and pull downwards.

16



IMG-339860

**Applies to cars with manual gearbox**

Press the protector towards the pedal, at the same time as folding the protector's profile over using a weatherstrip tool. Important. Using a mirror, check that the profiles of the protector are around the edges of the pedal.

Repeat the steps for the clutch pedal.