

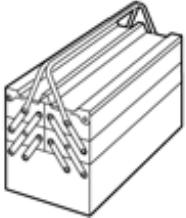
Installation instructions, accessories

Volvo Car Corporation Gothenburg, Sweden

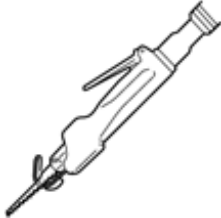
Instruction No 31454903 **Version** 1.0 **Part. No.** 31405580, 31454902, 31454901, 31405861

Sport exhaust system, R-design

Equipment



IMG-345497

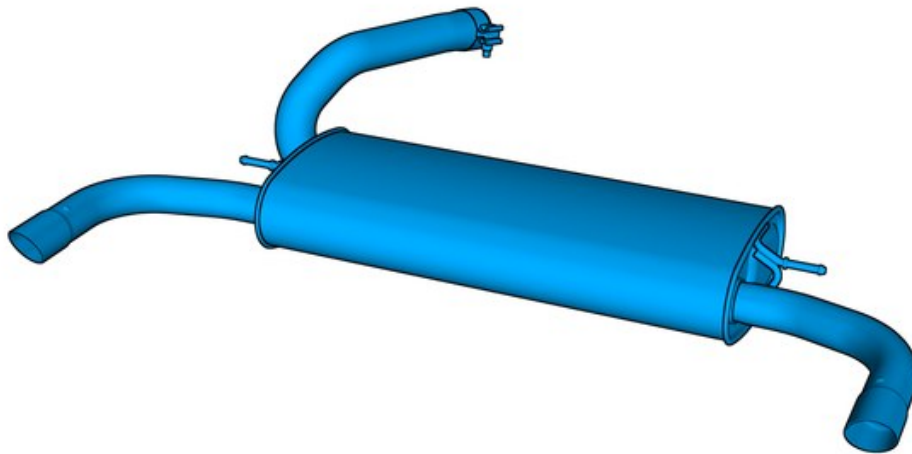


IMG-240693



IMG-239664

Nm
lbf.ft



IMG-412170

Installation instructions, accessories

Volvo Car Corporation Gothenburg, Sweden

Information

1

Read through all of the instructions before starting installation.

Notifications and warning texts are for your safety and to minimise the risk of something breaking during installation.

Ensure that all tools stated in the instructions are available before starting installation.

Certain steps in the instructions are only presented in the form of images. Explanatory text is also given for more complicated steps.

In the event of any problems with the instructions or the accessory, contact your local Volvo dealer.

Conditions

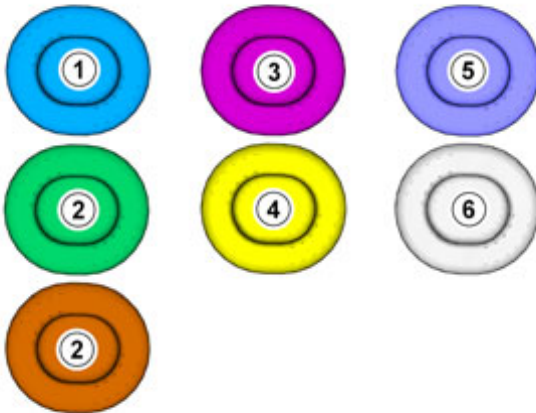
2

Note!

R-design diffuser must be installed on the vehicle.

Color symbols

3



IMG-363036

Note!

This colour chart displays (in colour print and electronic version) the importance of the different colours used in the images of the method steps.

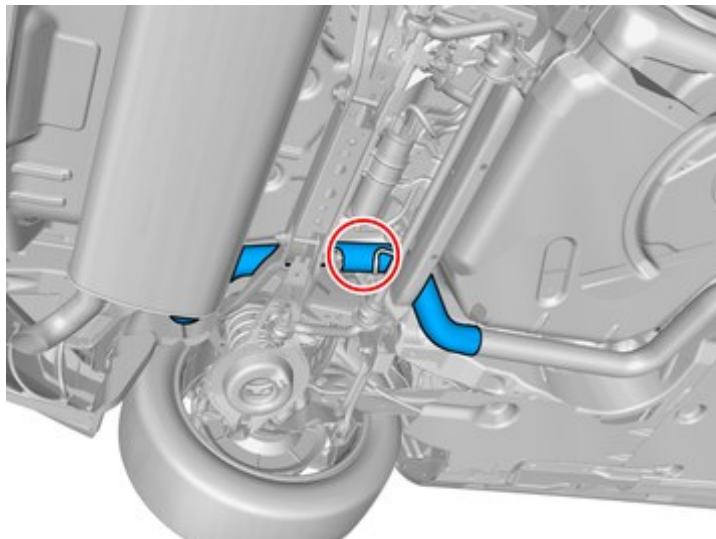
1. Used for focused component, the component with which you will do something.
 2. Used as extra colors when you need to show or differentiate additional parts.
 3. Used for attachments that are to be removed/installed. May be screws, clips, connectors, etc.
 4. Used when the component is not fully removed from the vehicle but only hung to the side.
 5. Used for standard tools and special tools.
 6. Used as background color for vehicle components.
-

Removal

Installation instructions, accessories

Volvo Car Corporation Gothenburg, Sweden

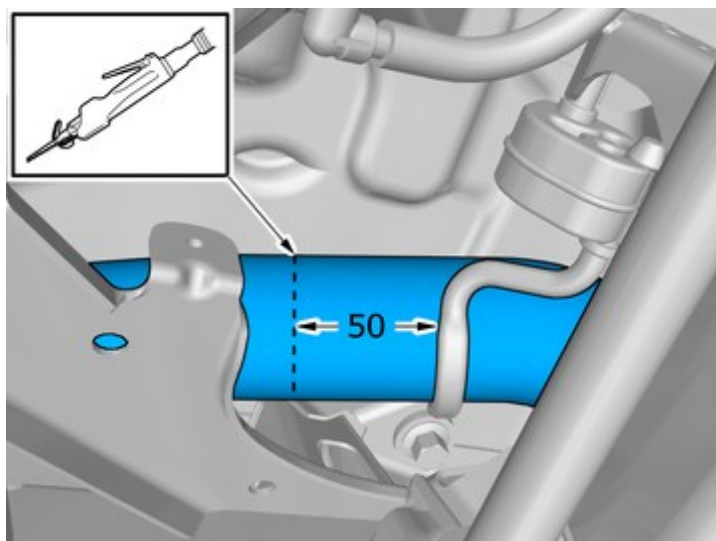
4



IMG-406830

Note!
Orientation view

5



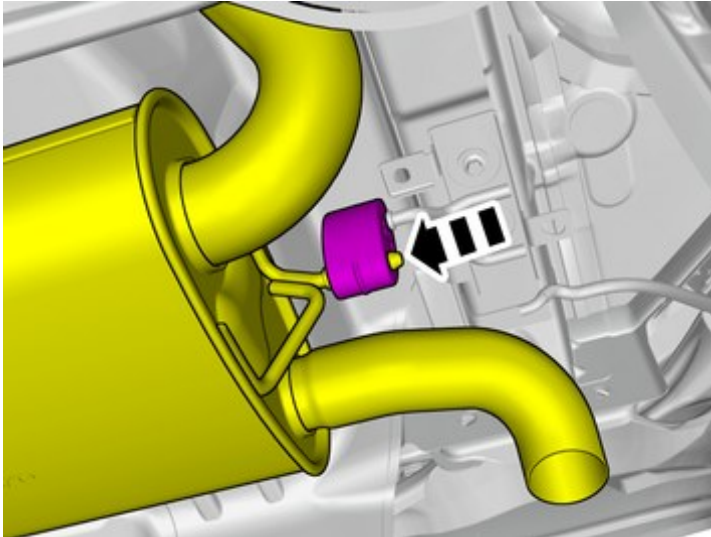
IMG-406831

Use: Air-powered keyhole saw

Installation instructions, accessories

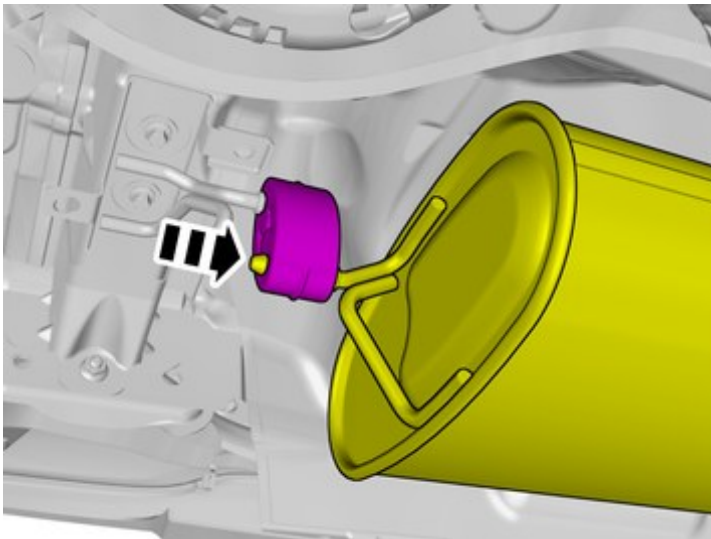
Volvo Car Corporation Gothenburg, Sweden

6



IMG-406860

7



IMG-406861

Installation instructions, accessories

Volvo Car Corporation Gothenburg, Sweden

8



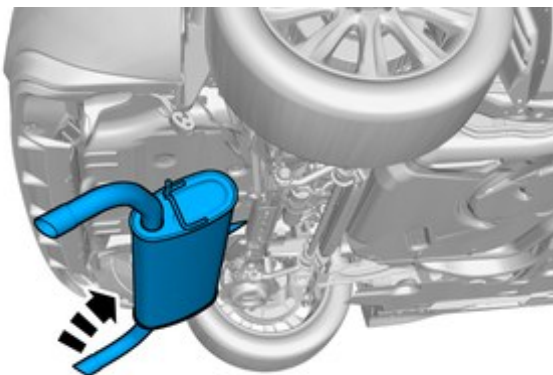
Remove the marked part.

The part is not to be reused.

IMG-406864

Accessory installation

9



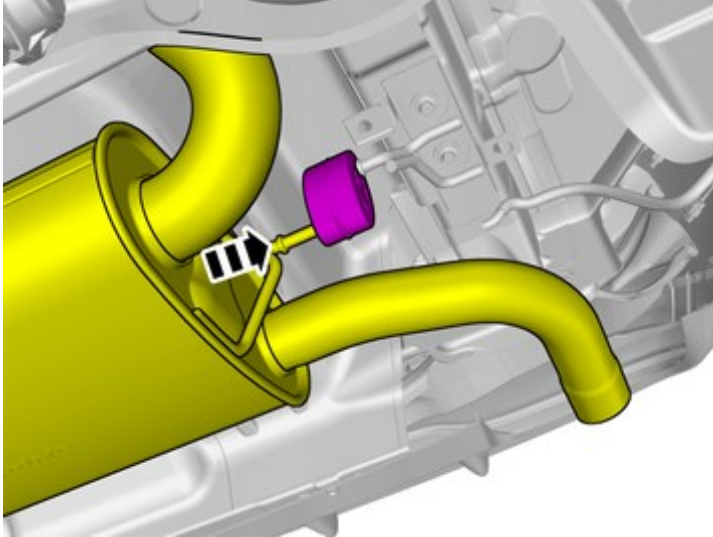
Install component that comes with the accessory kit.

IMG-406881

Installation instructions, accessories

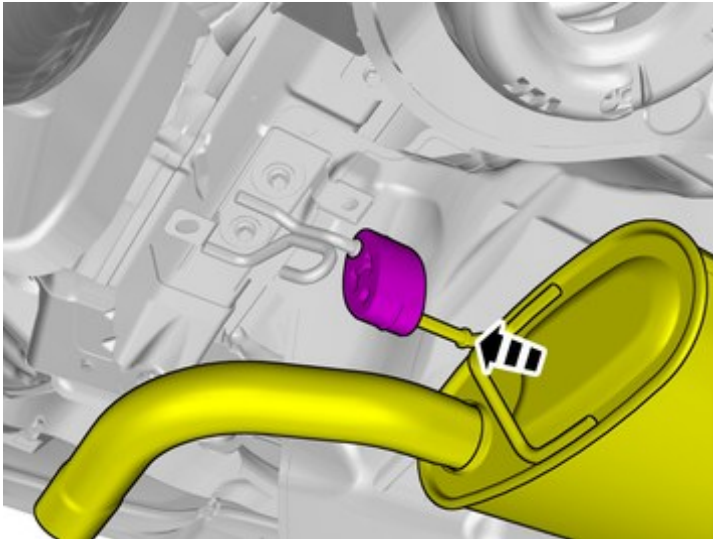
Volvo Car Corporation Gothenburg, Sweden

10



IMG-406920

11

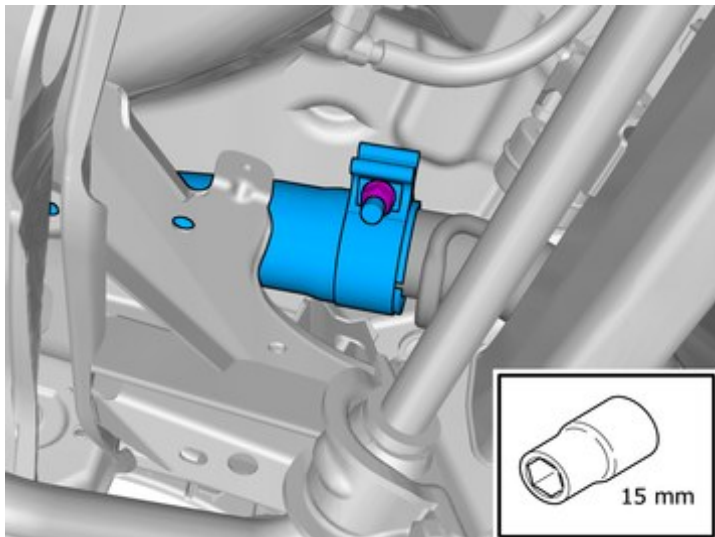


IMG-406921

Installation instructions, accessories

Volvo Car Corporation Gothenburg, Sweden

12



IMG-412197

Tighten the nut.

Tightening torque: M10 , 50 Nm