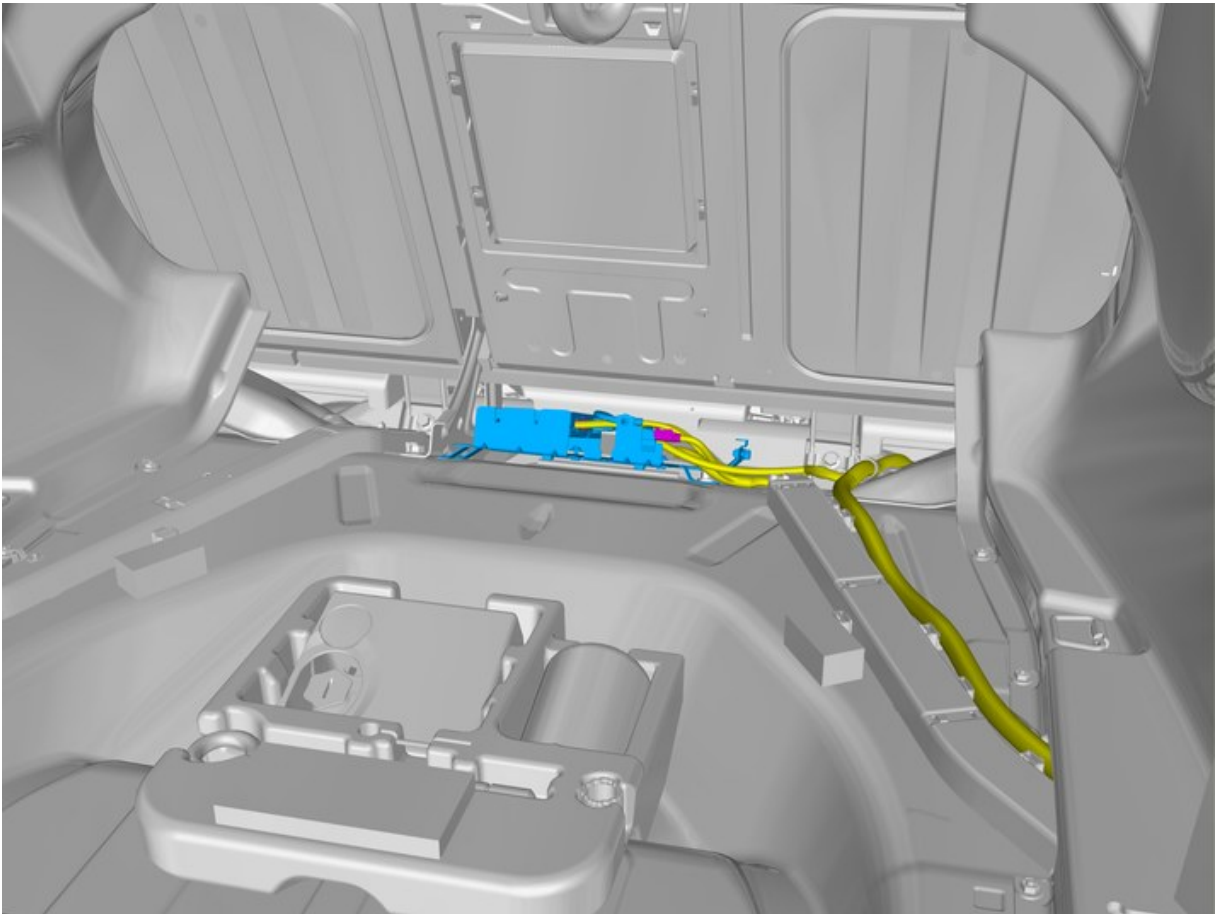


# Installation instructions, accessories

Volvo Car Corporation Gothenburg, Sweden

**Instruction No** 31414314    **Version** 1.2    **Part. No.** 32270870, 32270871

## Digital radio, DAB

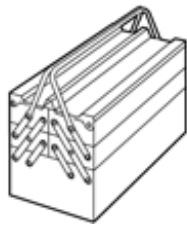


IMG-394871

### Equipment

**VIDA**

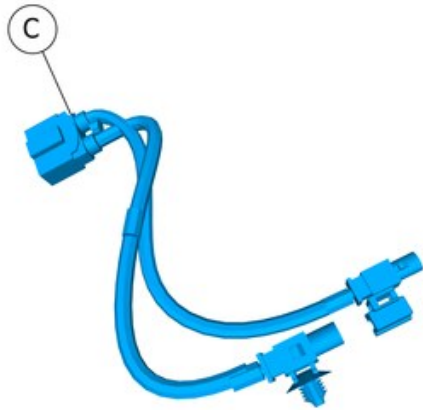
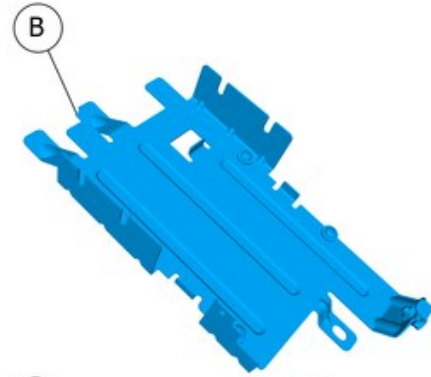
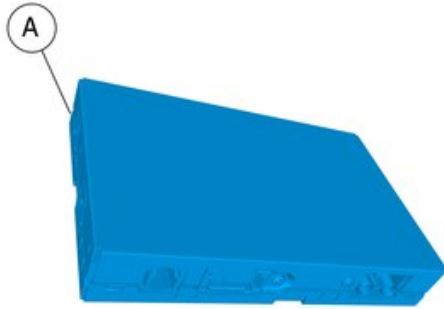
IMG-242205



IMG-345497

# Installation instructions, accessories

Volvo Car Corporation Gothenburg, Sweden



IMG-394782

# Installation instructions, accessories

Volvo Car Corporation Gothenburg, Sweden

---

## Information

---

1

Read through all of the instructions before starting installation.

Notifications and warning texts are for your safety and to minimise the risk of something breaking during installation.

Ensure that all tools stated in the instructions are available before starting installation.

Certain steps in the instructions are only presented in the form of images. Explanatory text is also given for more complicated steps.

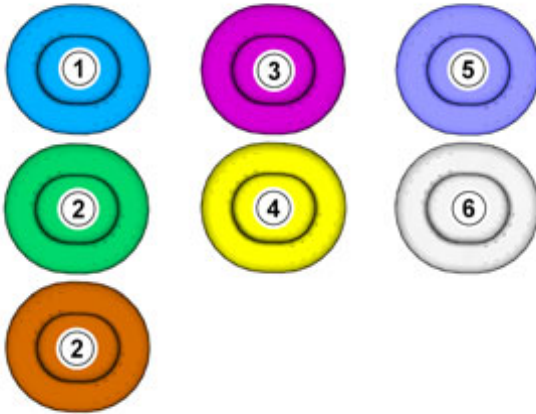
In the event of any problems with the instructions or the accessory, contact your local Volvo dealer.

---

## Color symbols

---

2



IMG-363036

### Note!

This colour chart displays (in colour print and electronic version) the importance of the different colours used in the images of the method steps.

1. Used for focused component, the component with which you will do something.
  2. Used as extra colors when you need to show or differentiate additional parts.
  3. Used for attachments that are to be removed/installed. May be screws, clips, connectors, etc.
  4. Used when the component is not fully removed from the vehicle but only hung to the side.
  5. Used for standard tools and special tools.
  6. Used as background color for vehicle components.
- 

## Removal

---

# Installation instructions, accessories

Volvo Car Corporation Gothenburg, Sweden

3



IMG-394185

4



IMG-394220

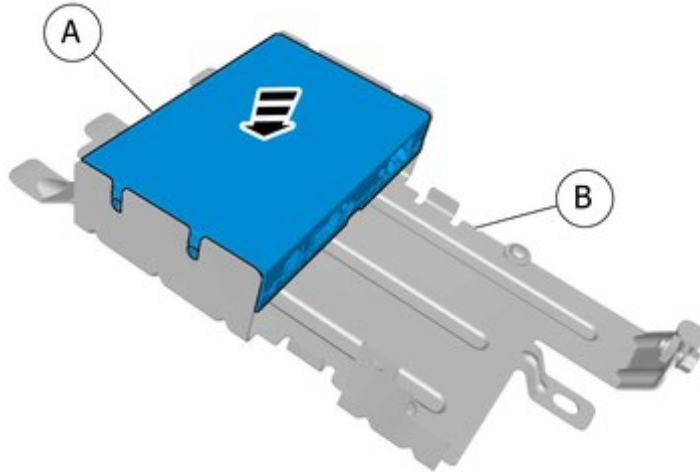
Remove the marked part.

**Accessory installation**

# Installation instructions, accessories

Volvo Car Corporation Gothenburg, Sweden

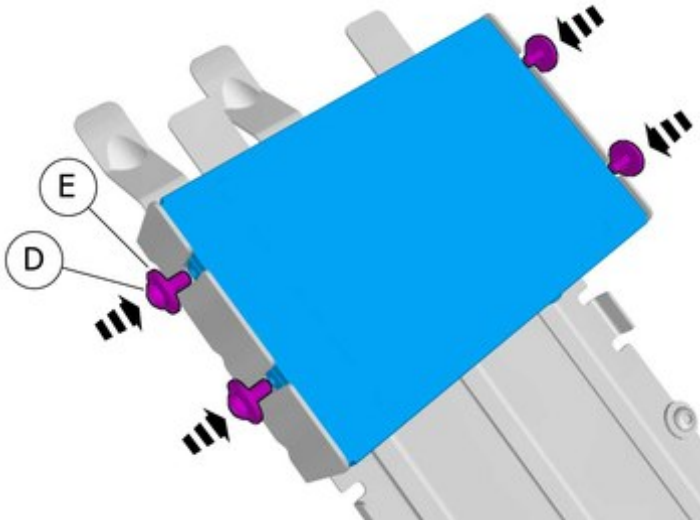
5



Install component that comes with the accessory kit.

IMG-394788

6



Install component that comes with the accessory kit.

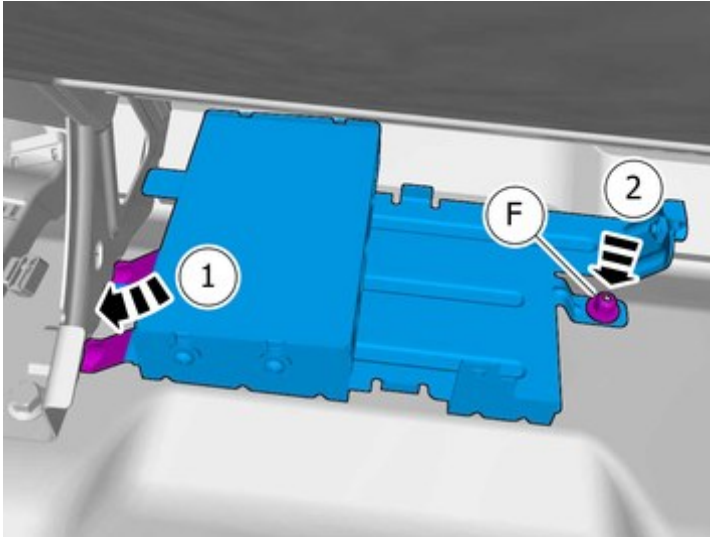
Tighten the bolts.

IMG-394790

# Installation instructions, accessories

Volvo Car Corporation Gothenburg, Sweden

7

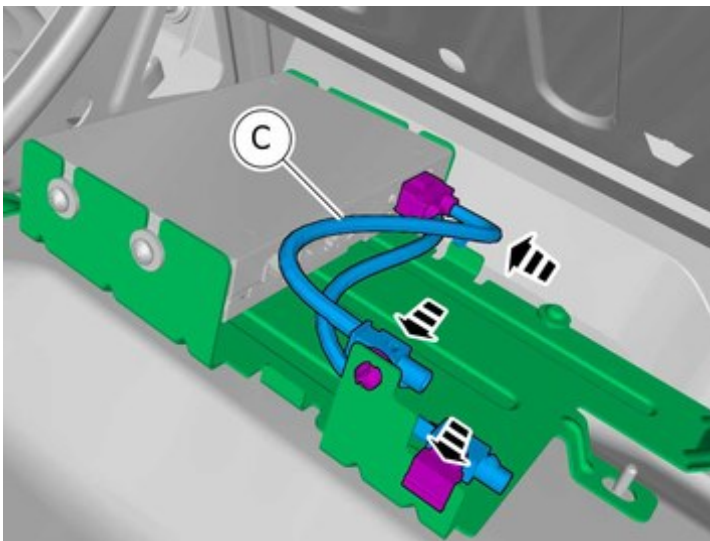


IMG-394797

Install component that comes with the accessory kit.

Tighten the nut.

8



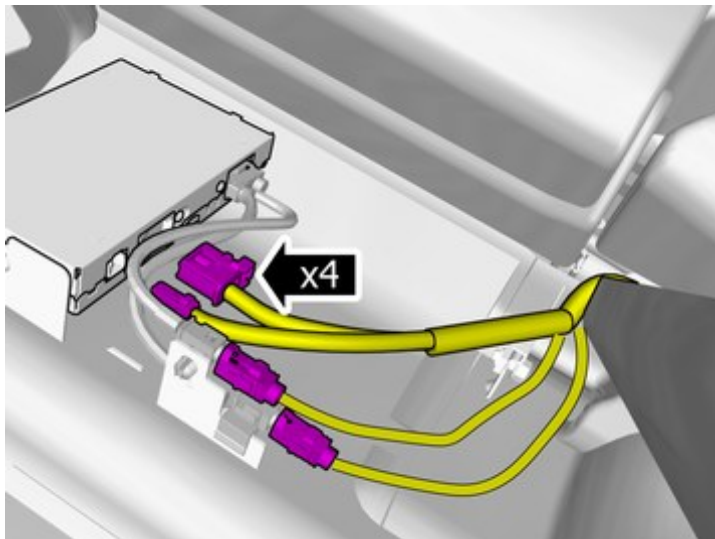
IMG-394806

Install component that comes with the accessory kit.

# Installation instructions, accessories

Volvo Car Corporation Gothenburg, Sweden

9



IMG-395171

Locate the pre-routed connectors.

Connect the connectors.

10



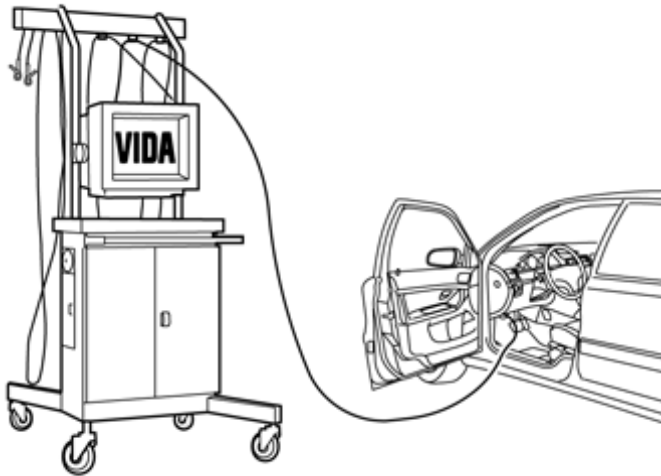
IMG-394856

Reinstall the removed part.

# Installation instructions, accessories

Volvo Car Corporation Gothenburg, Sweden

11



IMG-242268

**Note!**

First, download the software for preparatory installation according to the accessory catalogue. Then do the download/reload of software for the accessory function.

**Note!**

When doing an aftermarket installation of DAB or DAB+, it is necessary to carry out a DAB application download.

**Note!**

When upgrading from DAB to DAB+, a DAB re-load is necessary.

Carry out a download, or a re-load, of accessory function software by following VIDA service information.