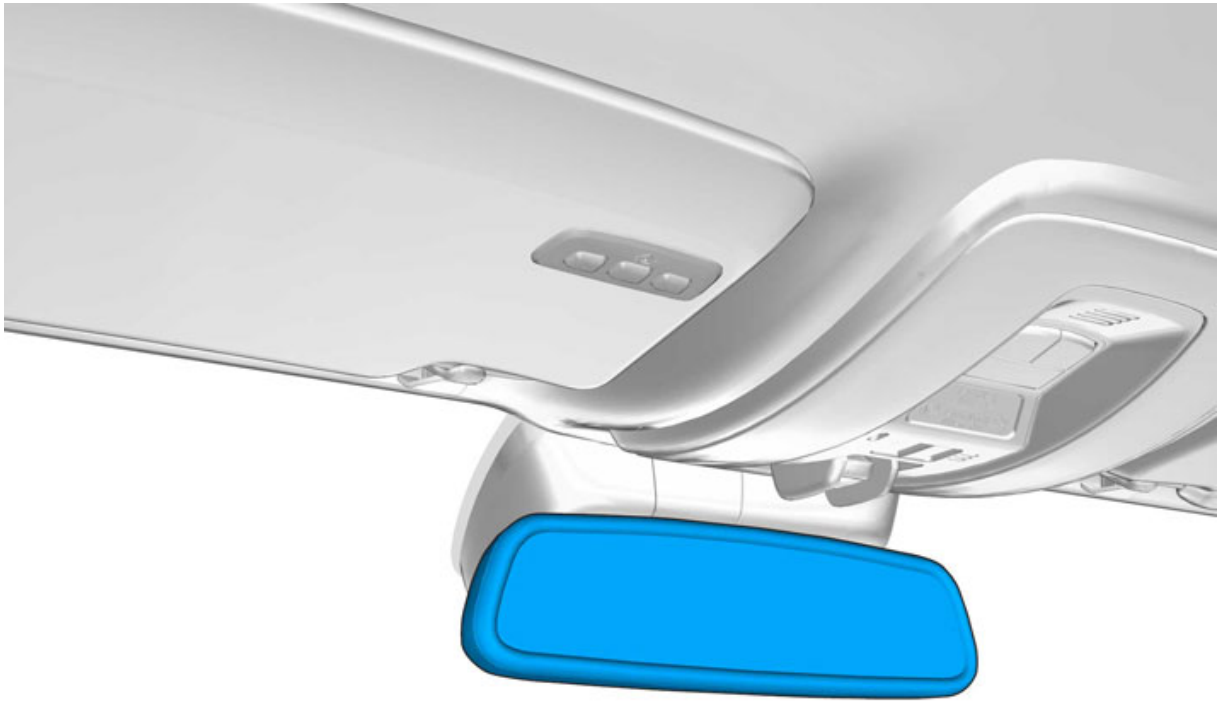


# Installation instructions, accessories

Volvo Car Corporation Gothenburg, Sweden

**Instruction No** 31316437    **Version** 1.0    **Part. No.** 31402730, 31352951

## Mirror, rearview

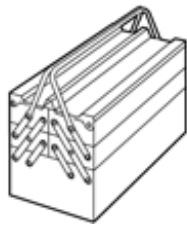


IMG-338611

### Equipment

**VIDA**

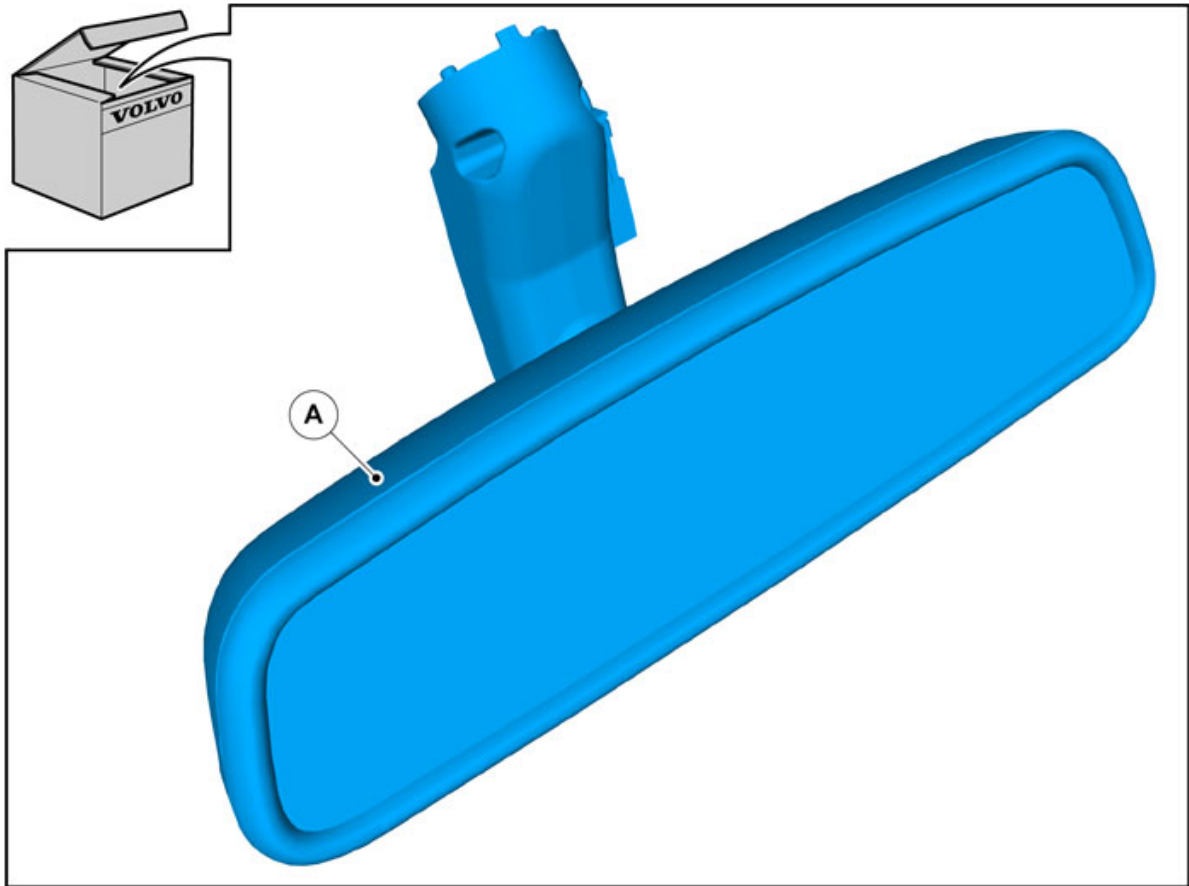
IMG-242205



IMG-345497

# Installation instructions, accessories

Volvo Car Corporation Gothenburg, Sweden



IMG-338612

# Installation instructions, accessories

Volvo Car Corporation Gothenburg, Sweden

---

## Information

---

1

Read through all of the instructions before starting installation.

Notifications and warning texts are for your safety and to minimise the risk of something breaking during installation.

Ensure that all tools stated in the instructions are available before starting installation.

Certain steps in the instructions are only presented in the form of images. Explanatory text is also given for more complicated steps.

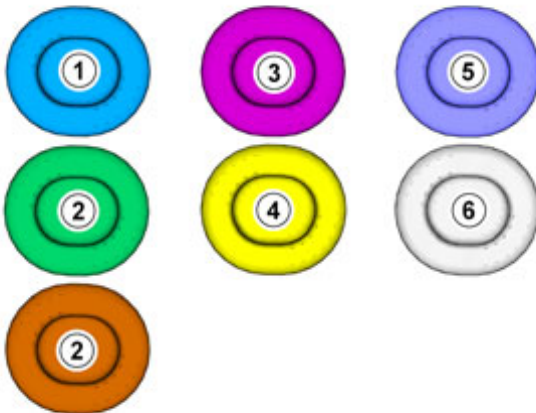
In the event of any problems with the instructions or the accessory, contact your local Volvo dealer.

---

## Color symbols

---

2



IMG-363036

### Note!

This colour chart displays (in colour print and electronic version) the importance of the different colours used in the images of the method steps.

1. Used for focused component, the component with which you will do something.
  2. Used as extra colors when you need to show or differentiate additional parts.
  3. Used for attachments that are to be removed/installed. May be screws, clips, connectors, etc.
  4. Used when the component is not fully removed from the vehicle but only hung to the side.
  5. Used for standard tools and special tools.
  6. Used as background color for vehicle components.
- 

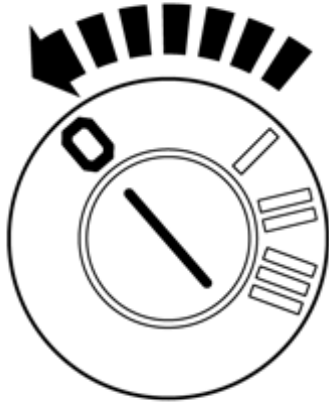
## Removal

---

# Installation instructions, accessories

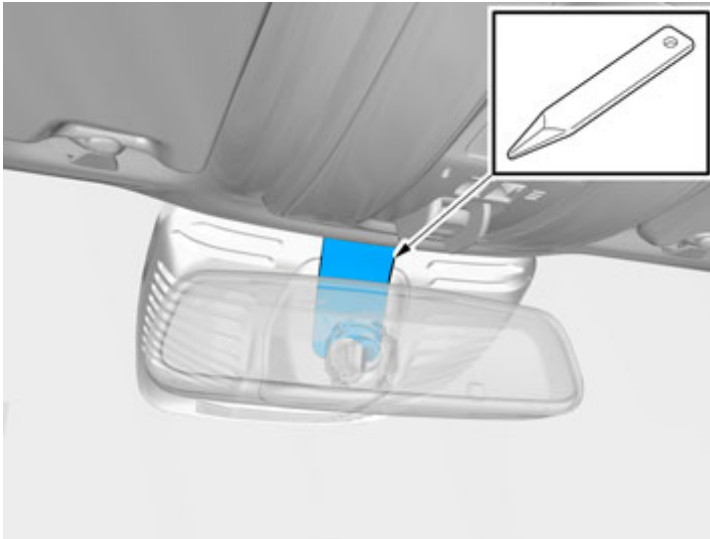
Volvo Car Corporation Gothenburg, Sweden

3



IMG-332193

4



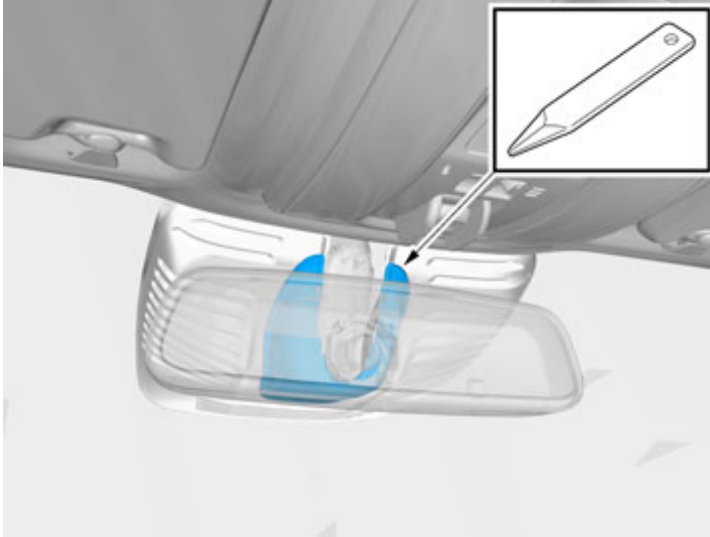
Remove the panel.

IMG-374827

# Installation instructions, accessories

Volvo Car Corporation Gothenburg, Sweden

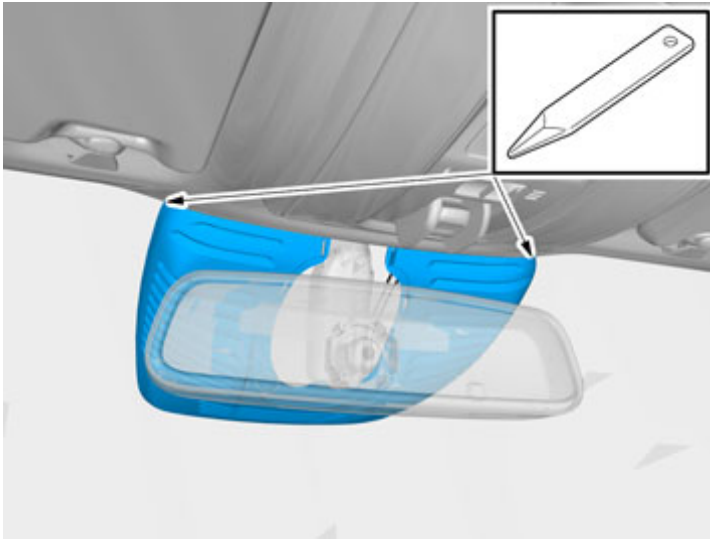
5



IMG-374829

Remove the panel.

6



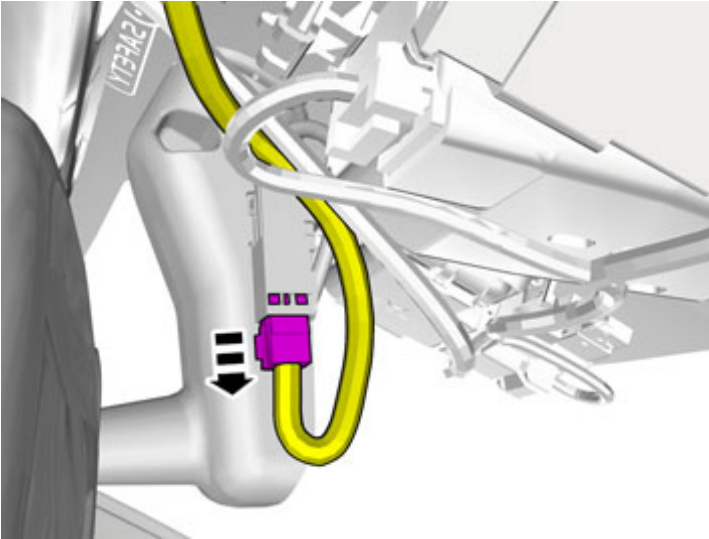
IMG-374831

Remove the panel.

# Installation instructions, accessories

Volvo Car Corporation Gothenburg, Sweden

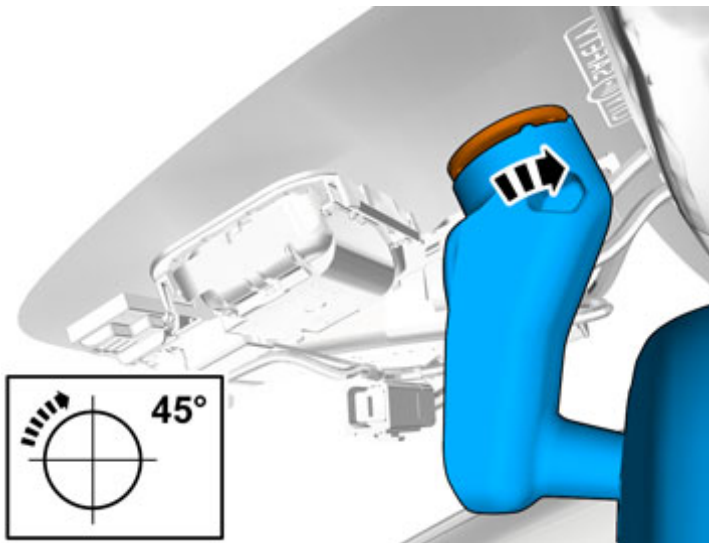
7



IMG-338615

Disconnect the connector, if applicable.

8

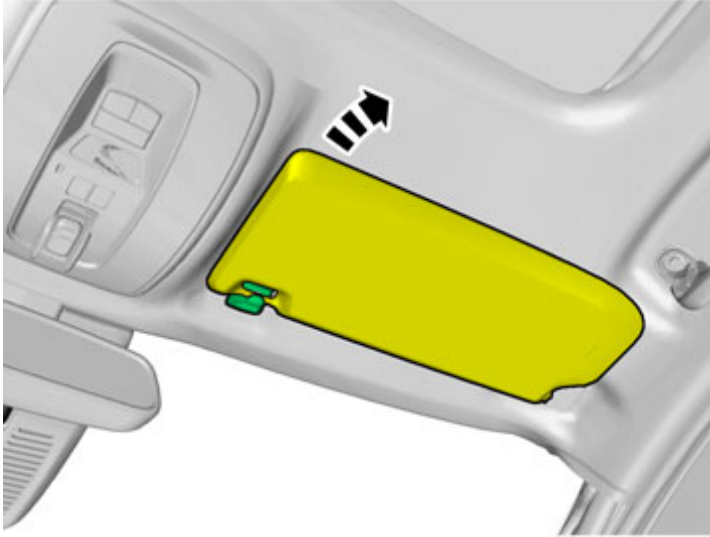


IMG-338616

# Installation instructions, accessories

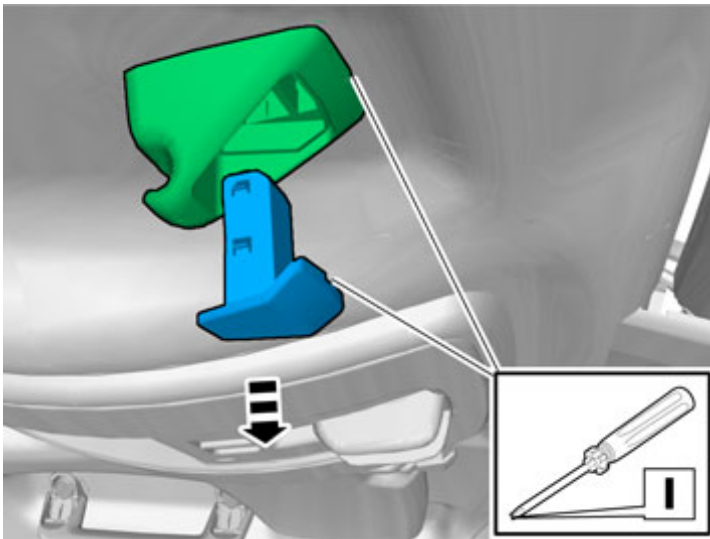
Volvo Car Corporation Gothenburg, Sweden

9



IMG-304689

10

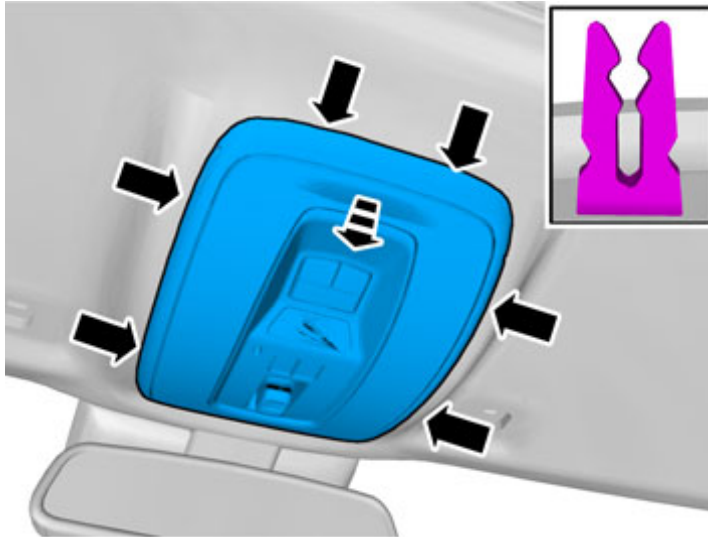


IMG-304690

# Installation instructions, accessories

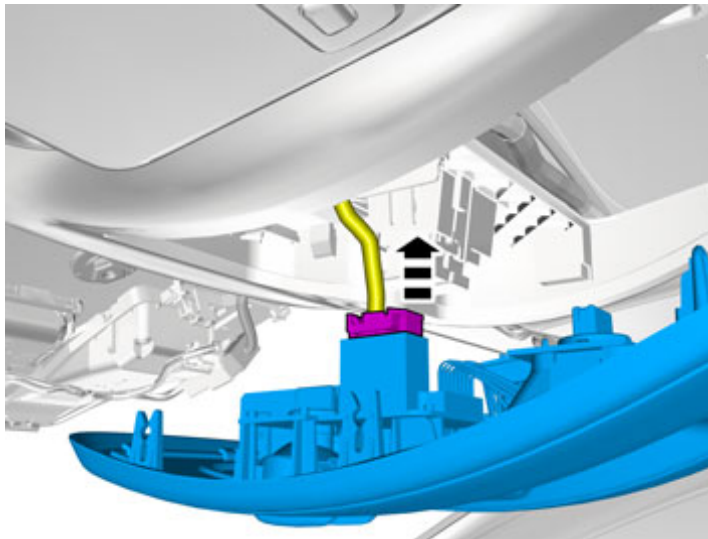
Volvo Car Corporation Gothenburg, Sweden

11



IMG-304691

12



IMG-338621

Disconnect the connector.

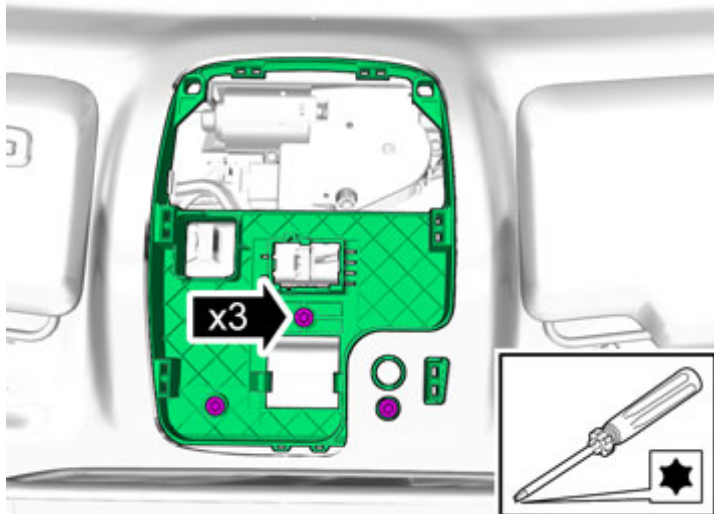


# Installation instructions, accessories

Volvo Car Corporation Gothenburg, Sweden

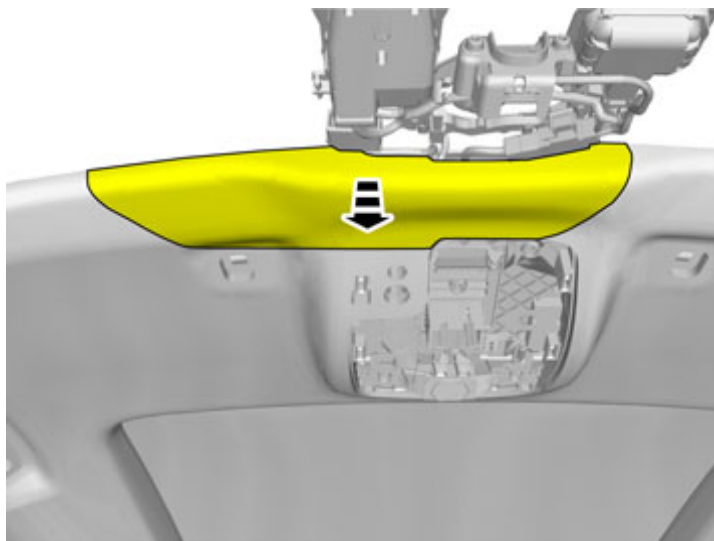
13

Remove the screws.



IMG-341741

14

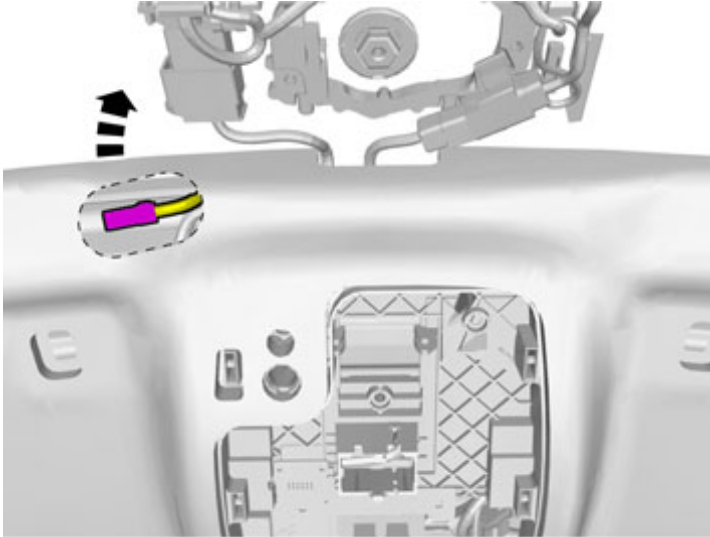


IMG-304693

# Installation instructions, accessories

Volvo Car Corporation Gothenburg, Sweden

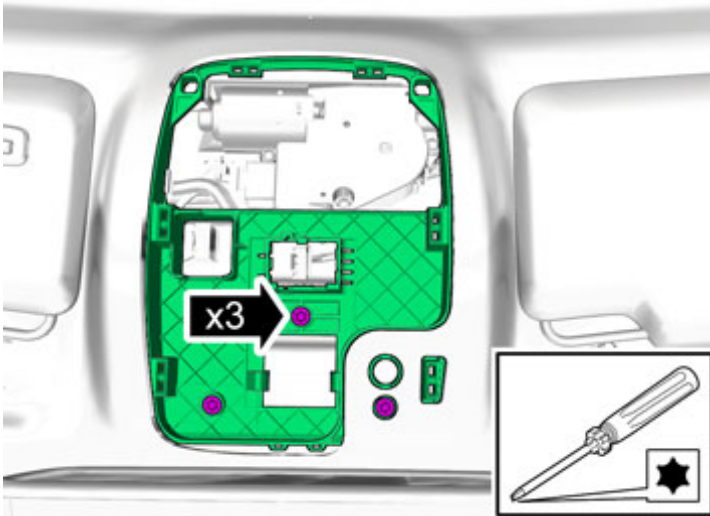
15



IMG-304694

Locate the existing connector in the vehicle's cable harness.

16



IMG-341741

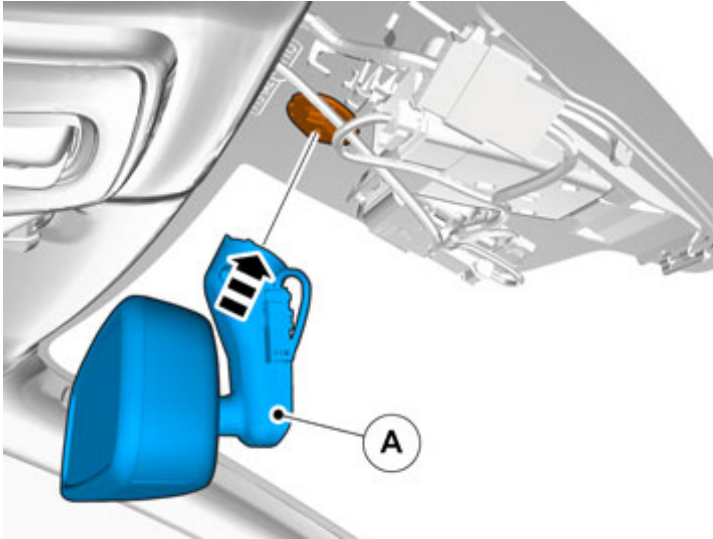
Reinstall the screws.

**Accessory installation**

# Installation instructions, accessories

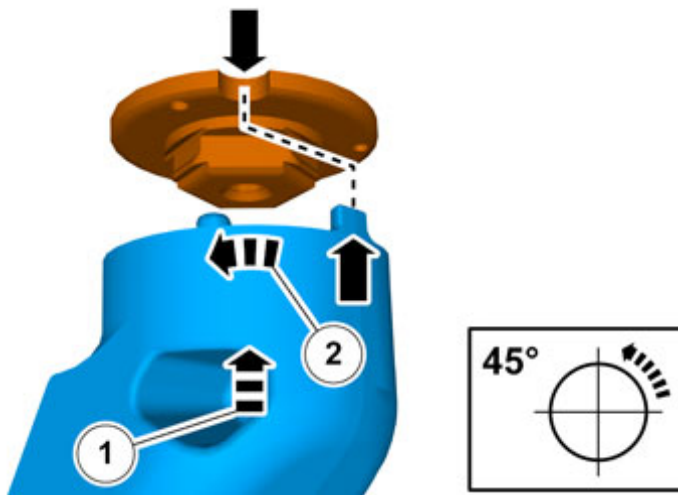
Volvo Car Corporation Gothenburg, Sweden

17



IMG-338617

18

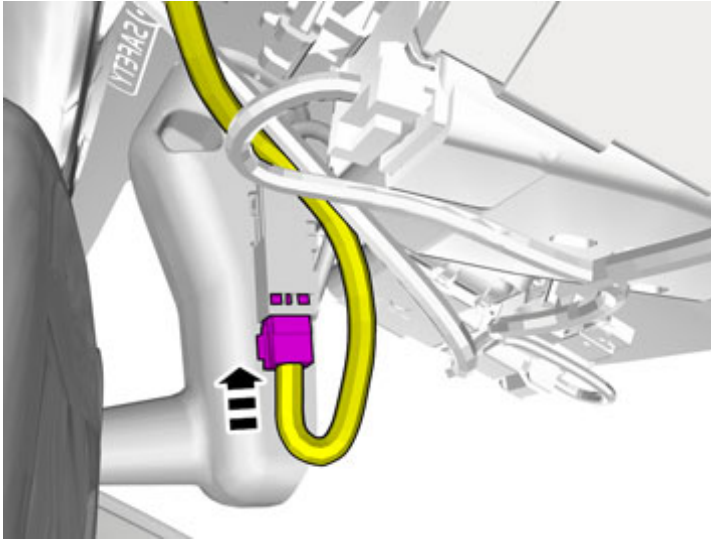


IMG-338619

# Installation instructions, accessories

Volvo Car Corporation Gothenburg, Sweden

19



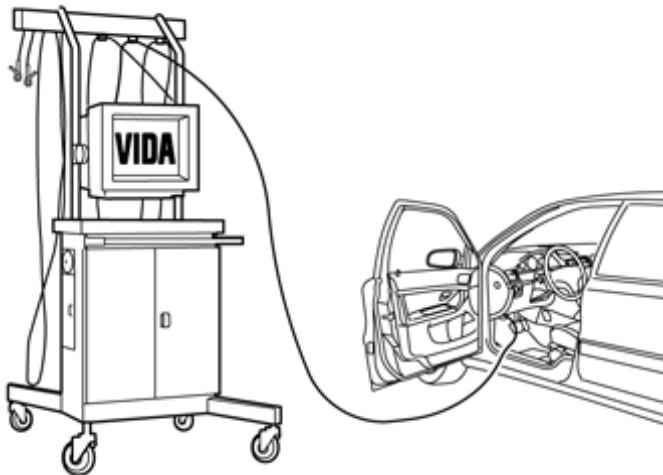
IMG-338620

Connect the connector.

20

Reinstall the removed parts in reverse order.

21



IMG-242268

Download software (application) for the accessory's function according to the service information in VIDA.

**Order and download software according to: 31278413**

## Calibration

22

Information is available in VIDA under:

23

Repair/Cleaning, Inspection and Adjustment/8 Body and interior/88 Interior equipment/882 Interior equipment/Interior equipment/Compass Calibration