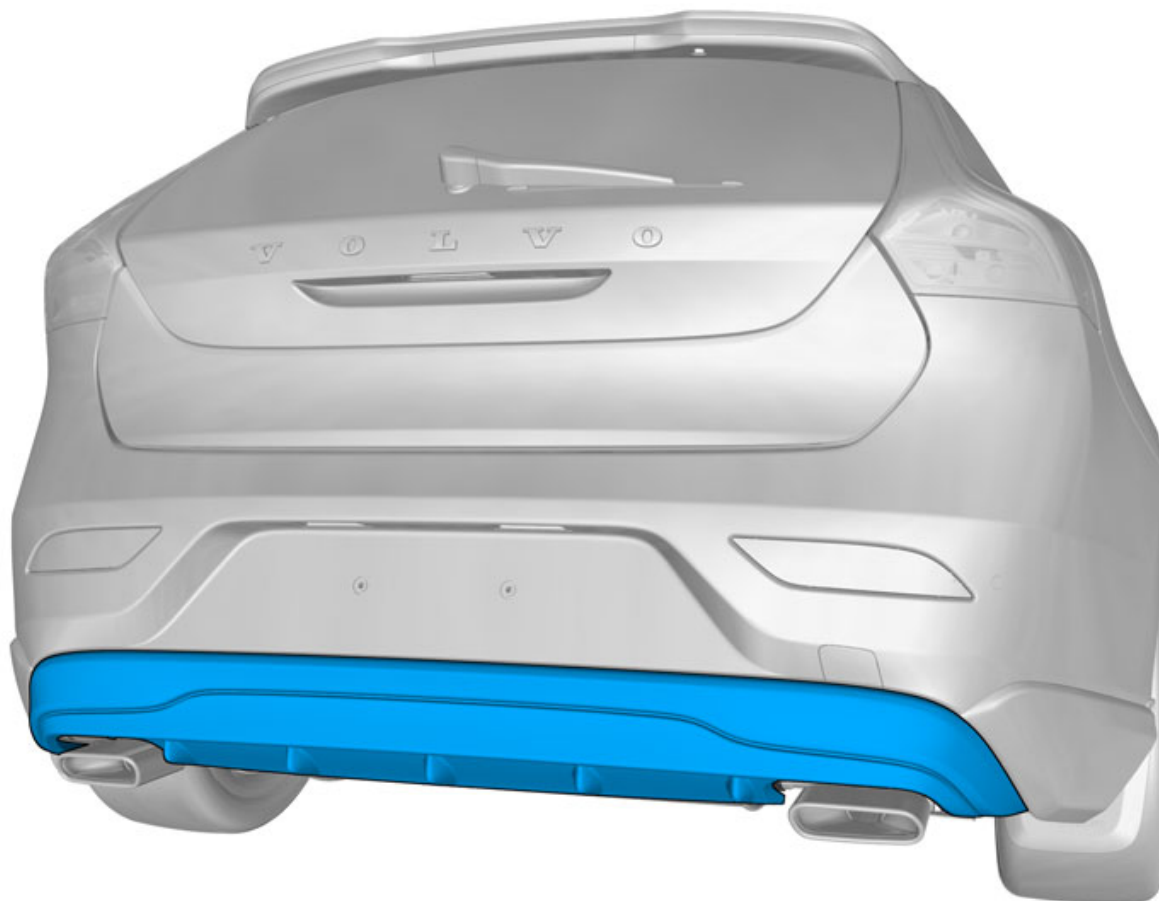


# Installation instructions, accessories

Volvo Car Corporation Gothenburg, Sweden

Instruction No	Version	Part. No.
31316885	1.3	39814229, 31339324, 39813663, 39813665, 39814223, 39814225, 39814227, 39814231, 39814233, 39814235, 39814237, 39817149, 39817993, 39818906, 39818914, 39818926, 39818920, 39817978, 39817980, 39817981, 39817982, 39817983, 39817984, 39817991, 39818005, 39818006, 39818007, 39818009, 39818912, 31352530, 39818941

## Diffuser

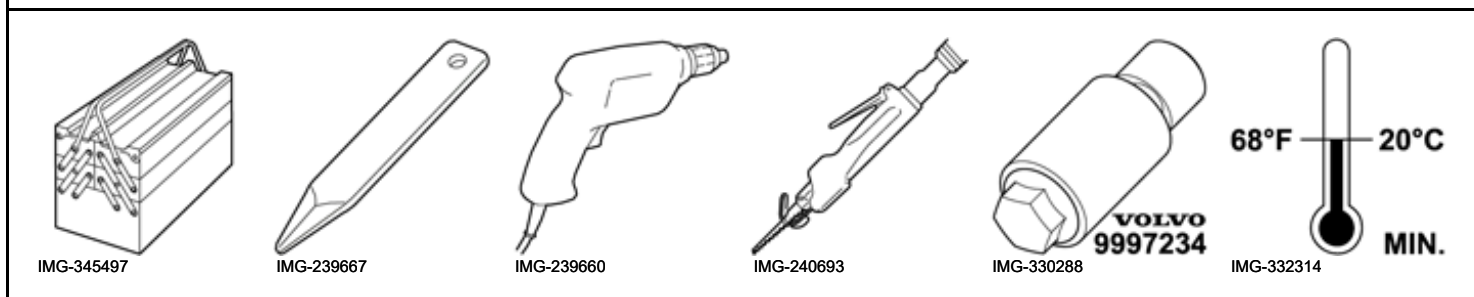


IMG-354393

### Materials

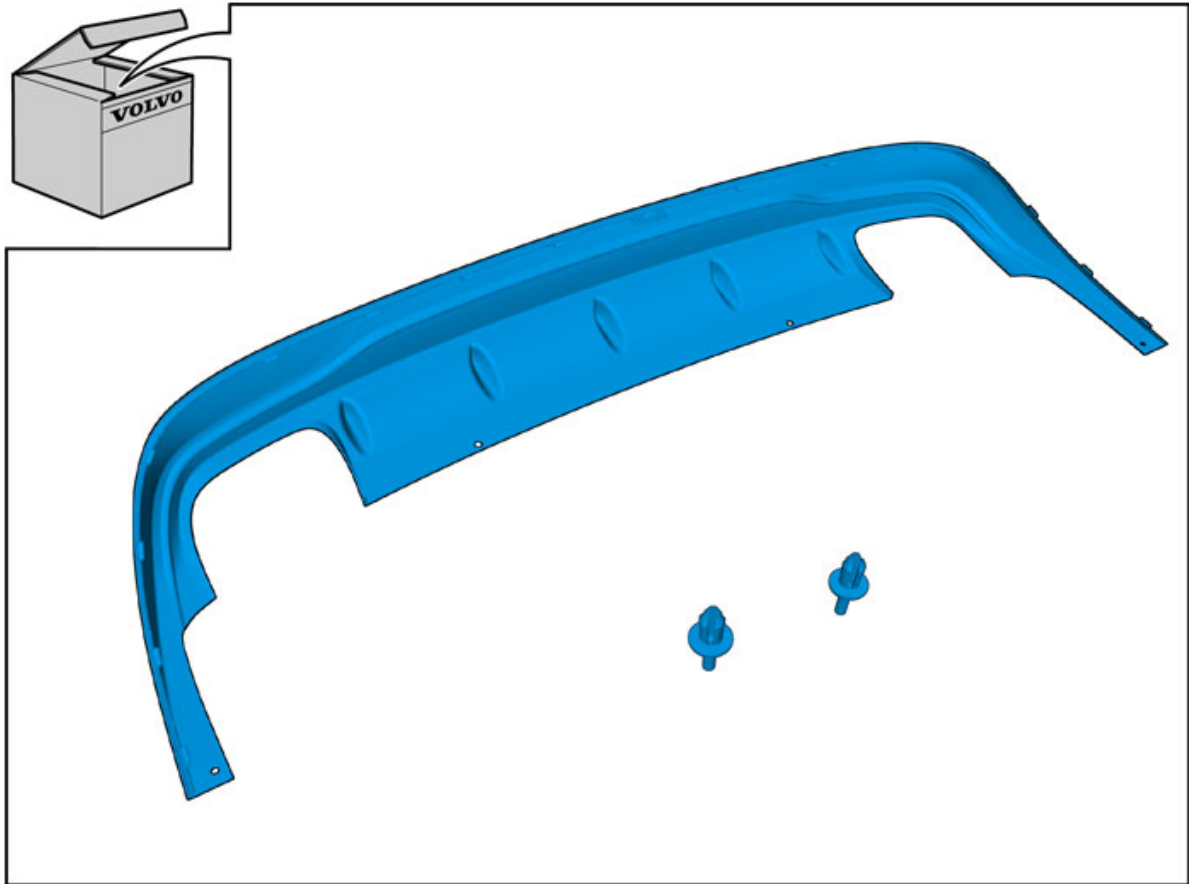
Designation	Part number
Isopropanol	1161721
Activator	8637076

### Equipment



# Installation instructions, accessories

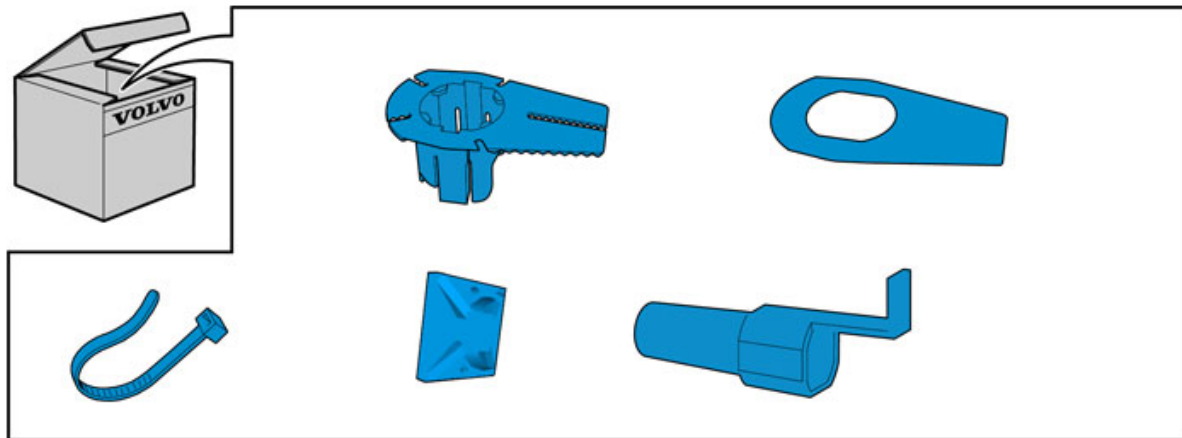
Volvo Car Corporation Gothenburg, Sweden



IMG-354394

# Installation instructions, accessories

Volvo Car Corporation Gothenburg, Sweden



IMG-363512

# Installation instructions, accessories

Volvo Car Corporation Gothenburg, Sweden

---

## Information

---

1

Read through all of the instructions before starting installation.

Notifications and warning texts are for your safety and to minimise the risk of something breaking during installation.

Ensure that all tools stated in the instructions are available before starting installation.

Certain steps in the instructions are only presented in the form of images. Explanatory text is also given for more complicated steps.

In the event of any problems with the instructions or the accessory, contact your local Volvo dealer.

---

## Conditions

---

2

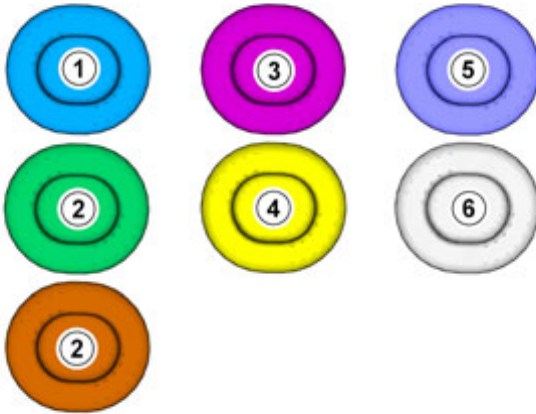
There may be parts in the accessories kit that are not needed for this installation.

---

## Color symbols

---

3



IMG-363036

### Note!

This colour chart displays (in colour print and electronic version) the importance of the different colours used in the images of the method steps.

1. Used for focused component, the component with which you will do something.
  2. Used as extra colors when you need to show or differentiate additional parts.
  3. Used for attachments that are to be removed/installed. May be screws, clips, connectors, etc.
  4. Used when the component is not fully removed from the vehicle but only hung to the side.
  5. Used for standard tools and special tools.
  6. Used as background color for vehicle components.
- 

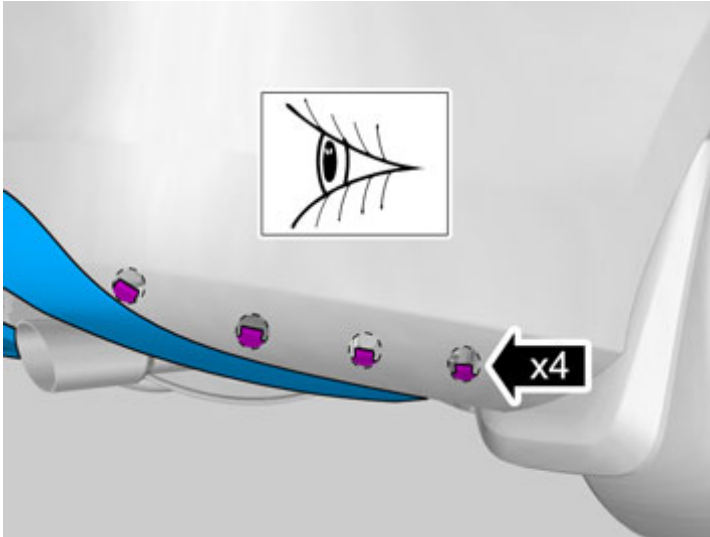
## Removal

---

# Installation instructions, accessories

Volvo Car Corporation Gothenburg, Sweden

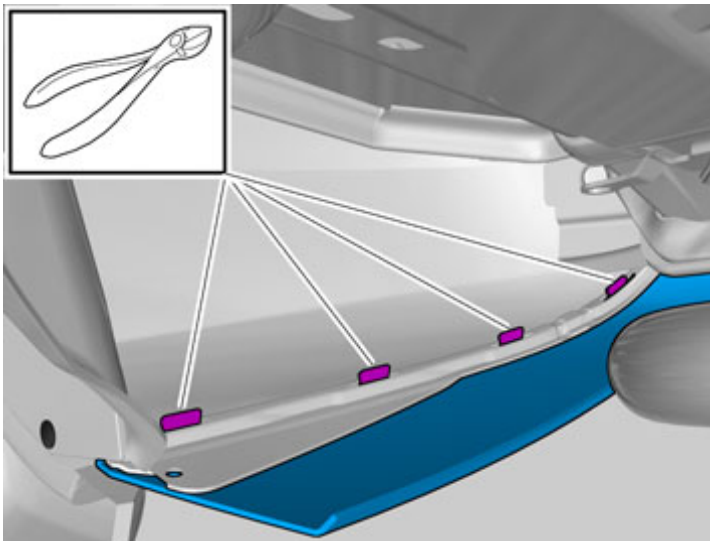
4



IMG-355864

On both sides.

5



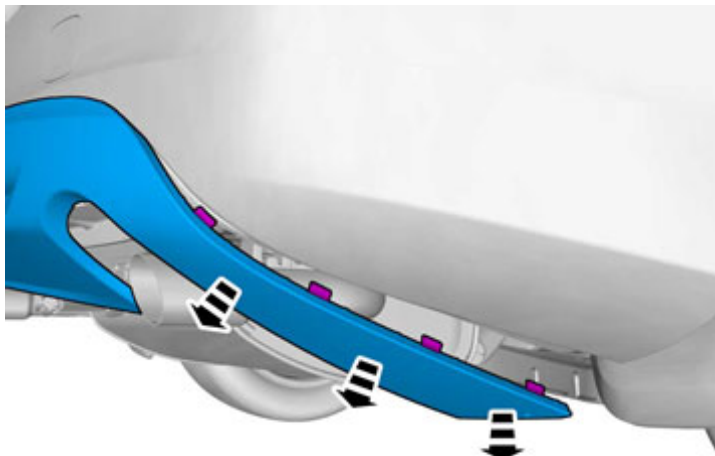
IMG-355865

On both sides.

# Installation instructions, accessories

Volvo Car Corporation Gothenburg, Sweden

6

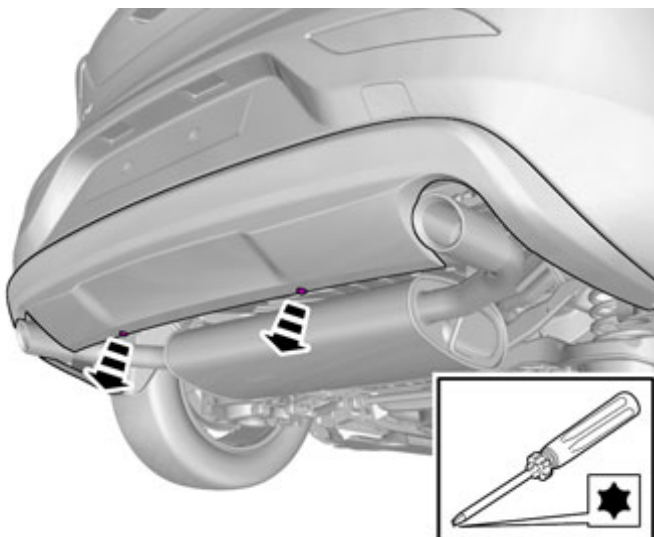


IMG-355867

Detach the panel.

On both sides.

7



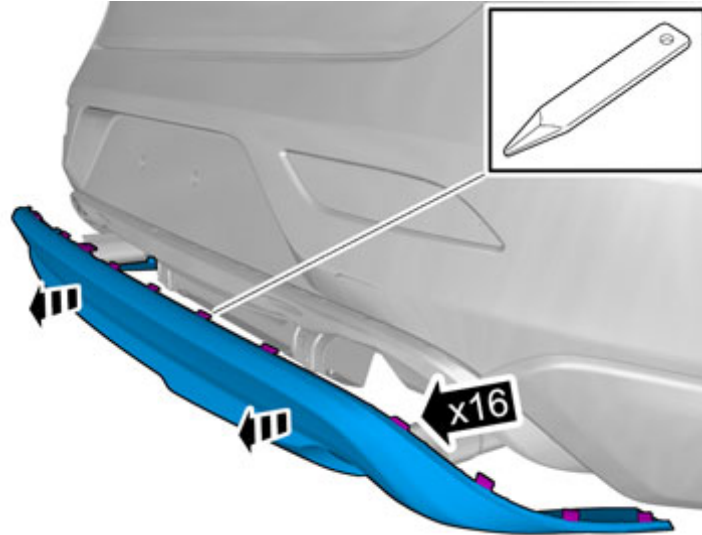
IMG-374150

Remove the screws.

# Installation instructions, accessories

Volvo Car Corporation Gothenburg, Sweden

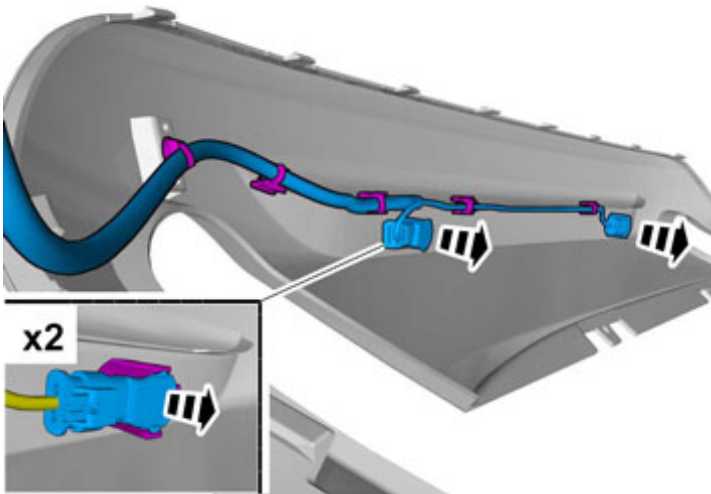
8



IMG-354604

Vehicles with parking assistance

9



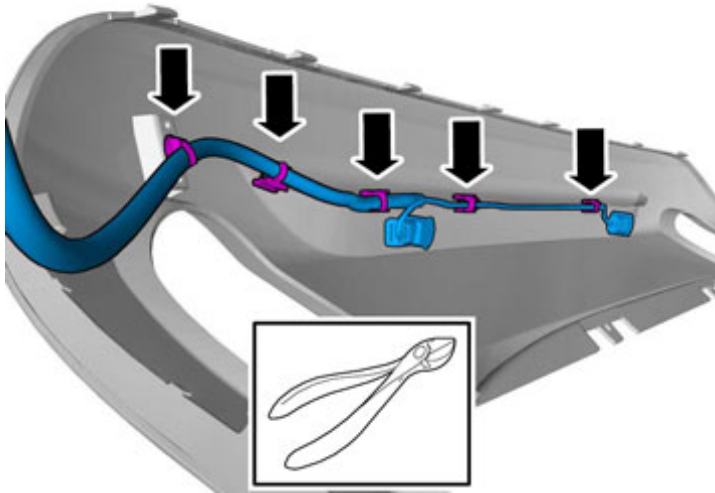
IMG-363516

# Installation instructions, accessories

Volvo Car Corporation Gothenburg, Sweden

10

Remove the cable tie(s).

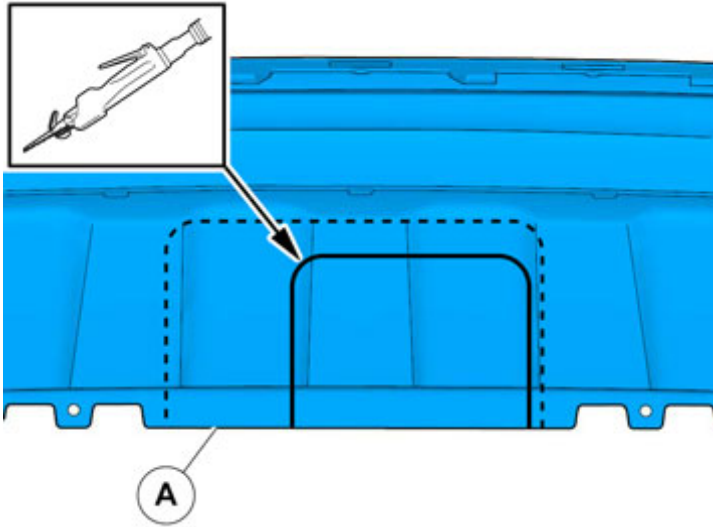


IMG-363517

Accessory installation

Vehicles with fixed towbar

11



IMG-354746

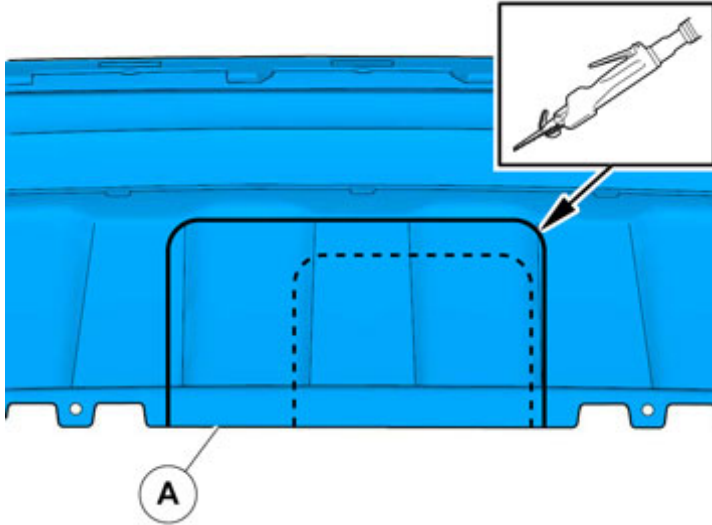
Vehicles with detachable towbar



# Installation instructions, accessories

Volvo Car Corporation Gothenburg, Sweden

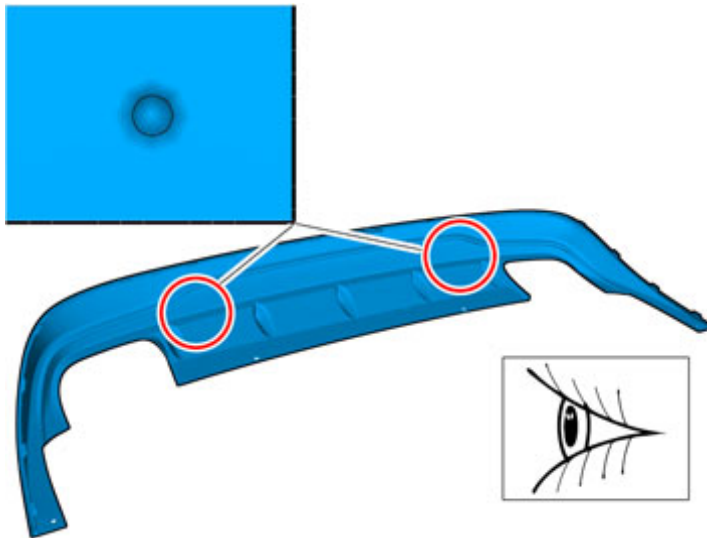
12



IMG-354747

## Vehicles with parking assistance

13



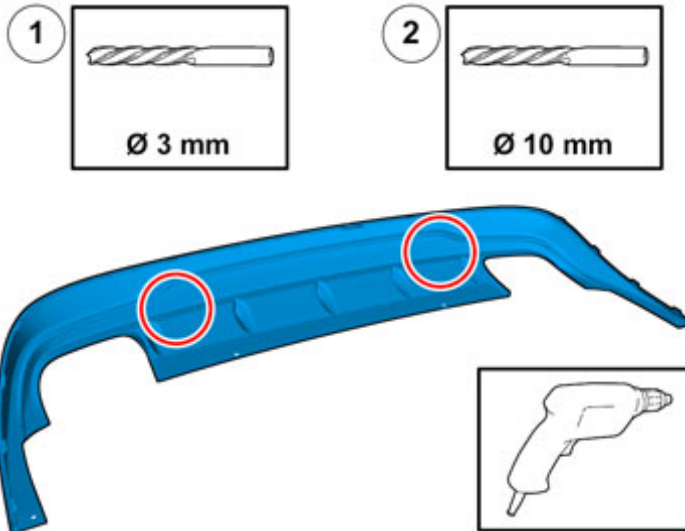
IMG-354611

Locate the markings for the positions.

# Installation instructions, accessories

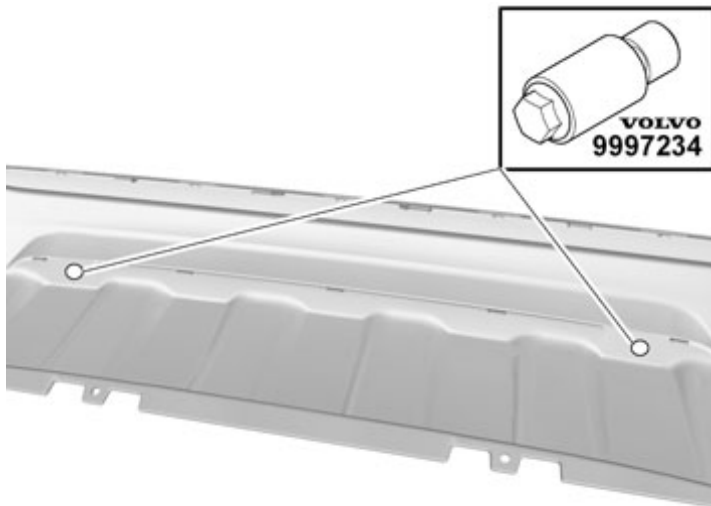
Volvo Car Corporation Gothenburg, Sweden

14



IMG-354612

15



**Caution!**  
Sharp end of tool must be on outside of cover.

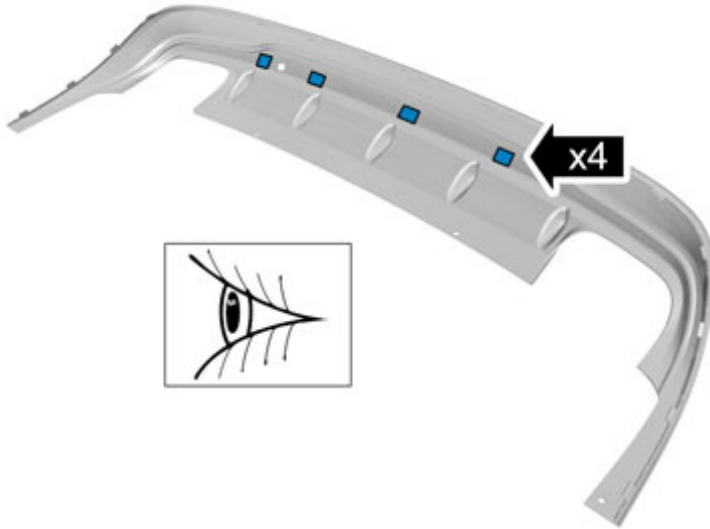
IMG-340114

# Installation instructions, accessories

Volvo Car Corporation Gothenburg, Sweden

16

Locate the markings for the positions.

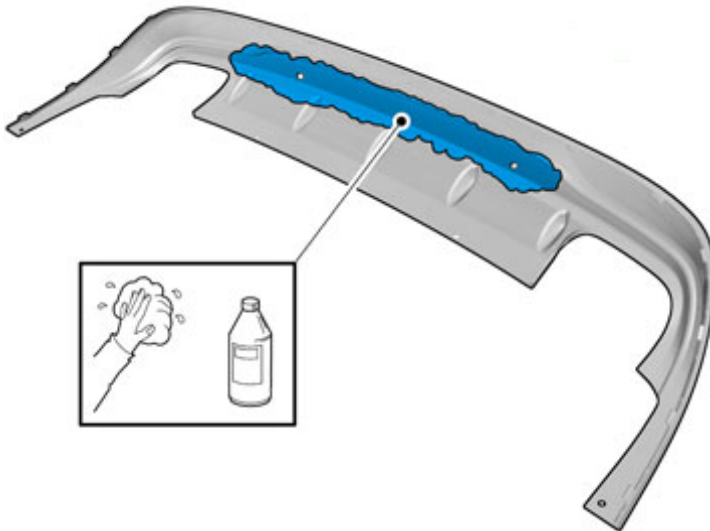


IMG-355996

17

**Use:** 1161721, Isopropanol

Allow to dry.

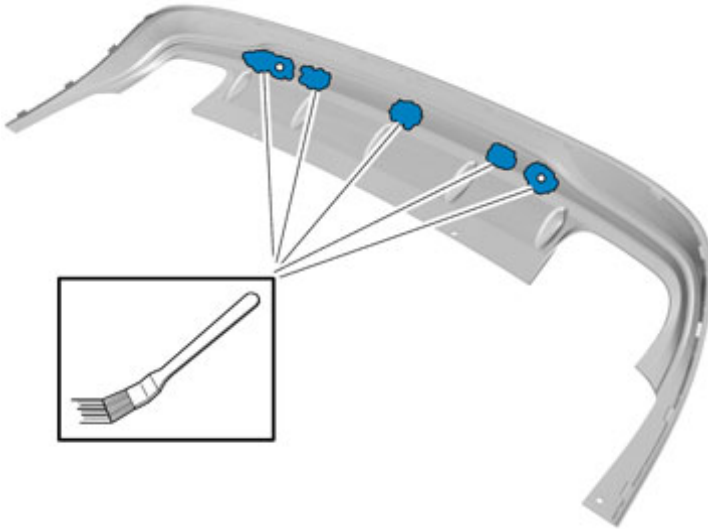


IMG-355898

# Installation instructions, accessories

Volvo Car Corporation Gothenburg, Sweden

18



IMG-355997

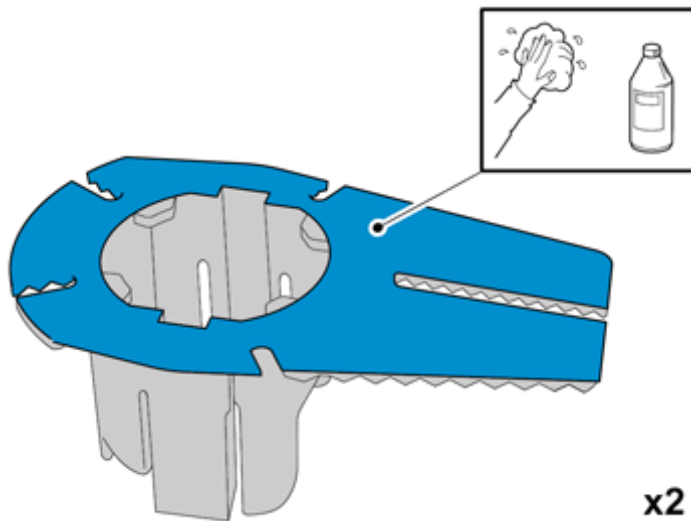
**Use:** 8637076, Activator

Allow to dry for at least 10 minutes.

19

**Note!**  
Prepare and install one holder at a time.

20



IMG-353519

Clean the surface.

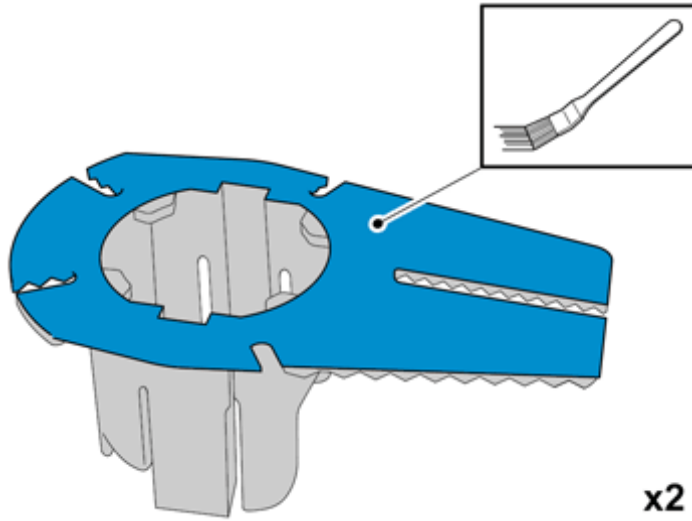
**Use:** 1161721, Isopropanol

Allow to dry.

# Installation instructions, accessories

Volvo Car Corporation Gothenburg, Sweden

21

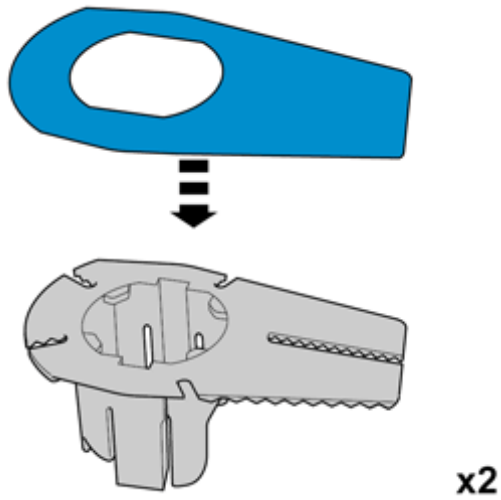


IMG-353518

**Use:** 8637076, Activator

Allow to dry for at least 10 minutes.

22

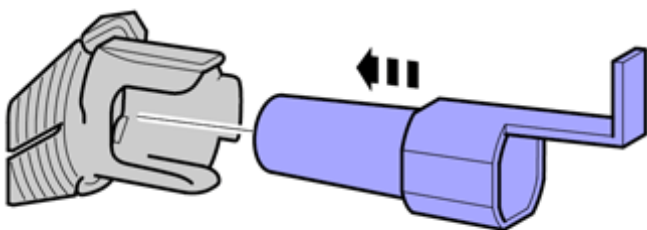


IMG-353515

# Installation instructions, accessories

Volvo Car Corporation Gothenburg, Sweden

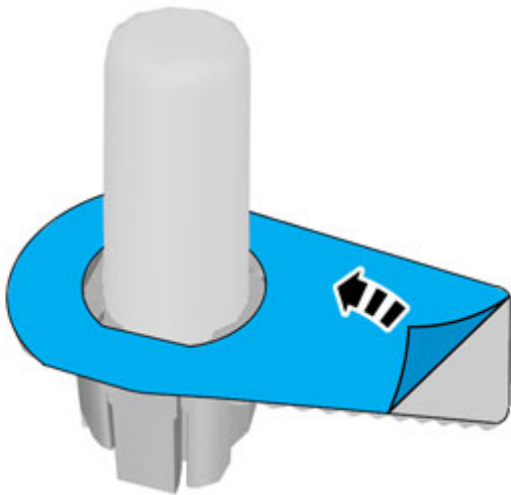
23



IMG-363508

24

Remove the protective film.



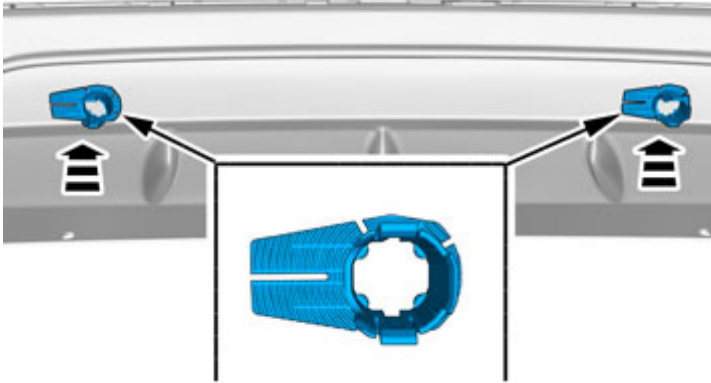
IMG-340690

# Installation instructions, accessories

Volvo Car Corporation Gothenburg, Sweden

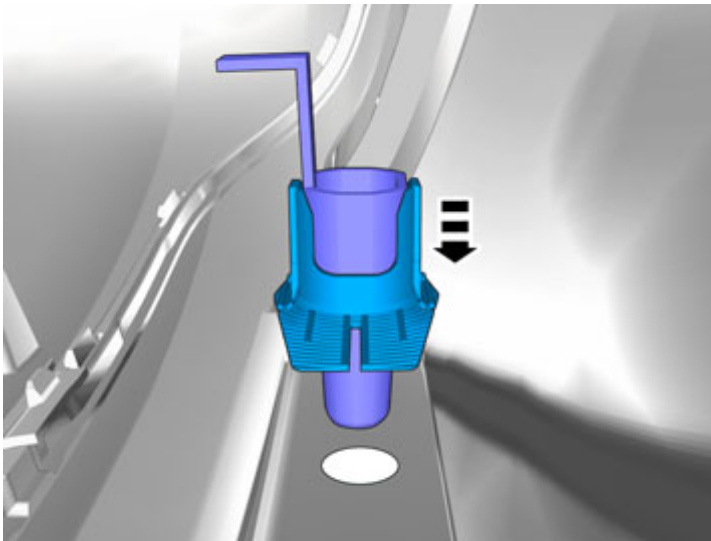
25

**Note!**  
Note the position.



IMG-363528

26

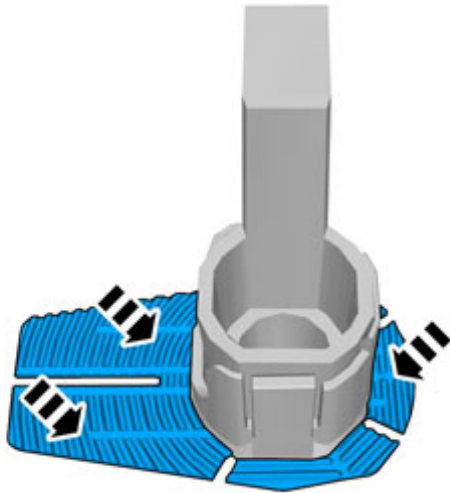


IMG-340692

# Installation instructions, accessories

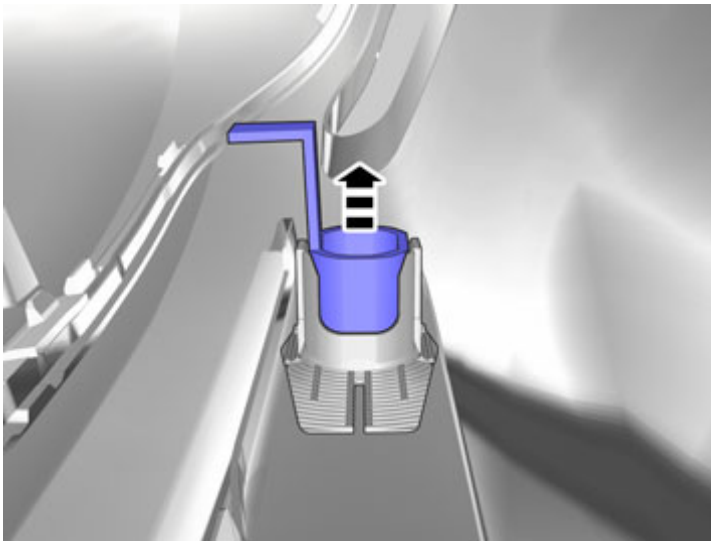
Volvo Car Corporation Gothenburg, Sweden

27



IMG-340694

28



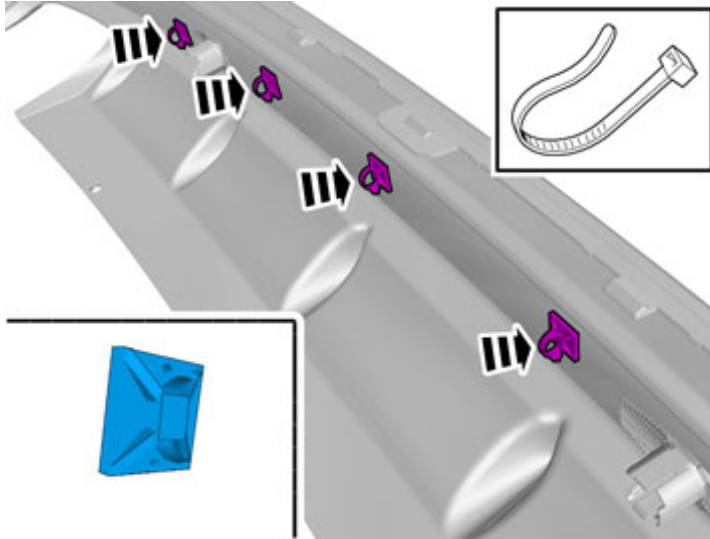
IMG-340695



# Installation instructions, accessories

Volvo Car Corporation Gothenburg, Sweden

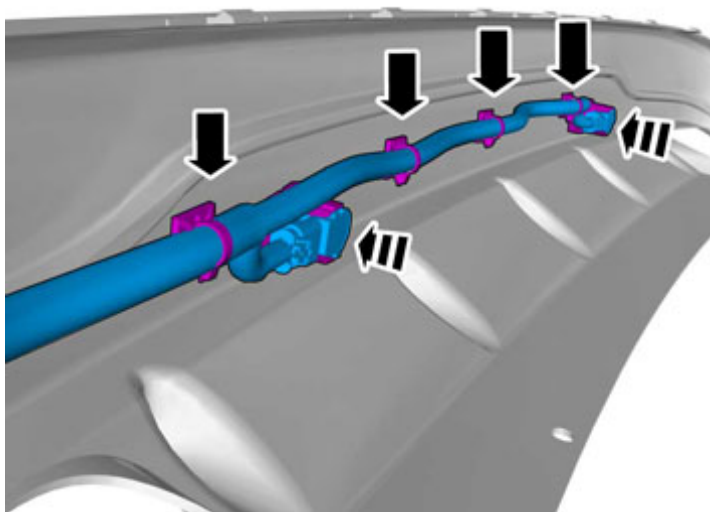
29



IMG-355901

Install component that comes with the accessory kit.

30



IMG-355911

**Note!**

This step is easier with two people.

Install the cable.

**All vehicles**

# Installation instructions, accessories

Volvo Car Corporation Gothenburg, Sweden

31



IMG-354572

Reinstall the removed parts in reverse order.