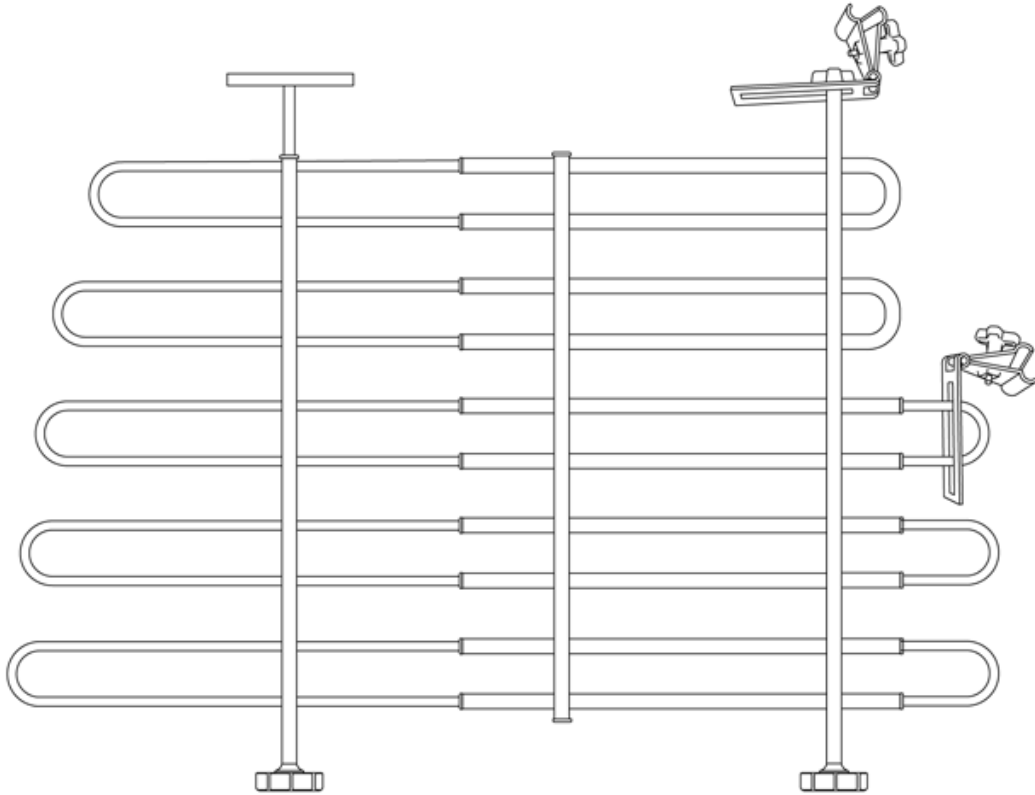


Installation instructions, accessories

Volvo Car Corporation Gothenburg, Sweden

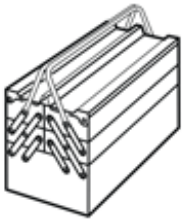
Instruction No 30721883 **Version** 1.1 **Part. No.** 30721881

Load compartment divider, longitudinal



IMG-278984

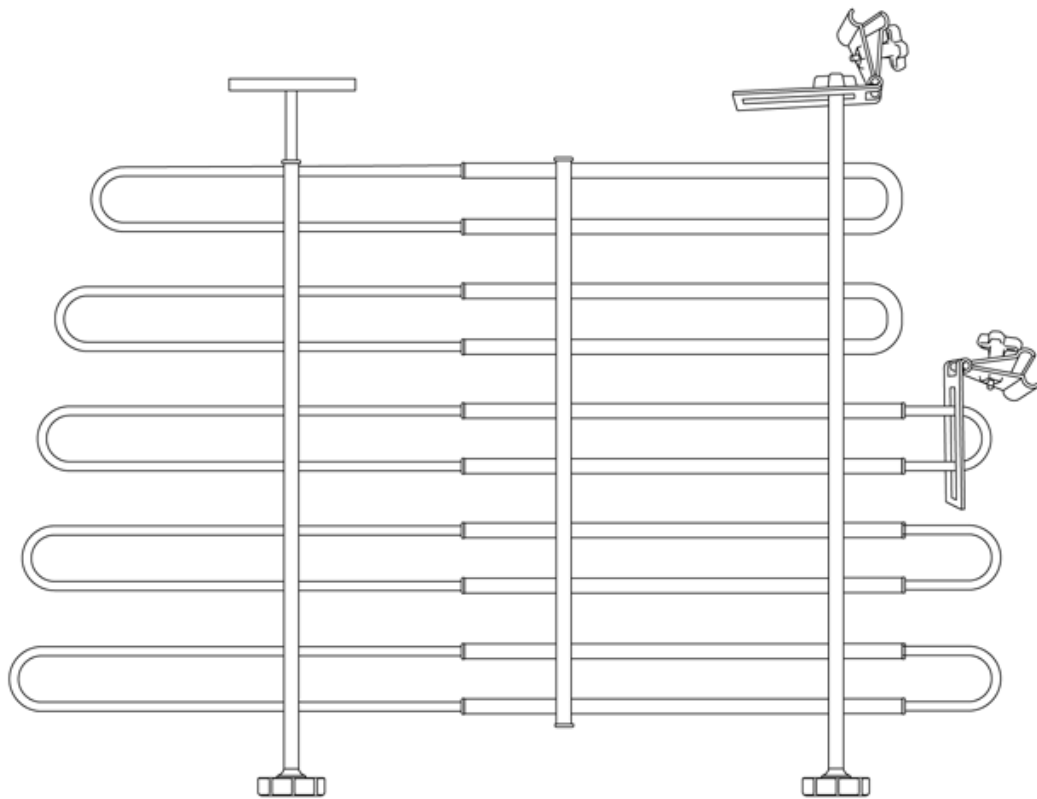
Equipment



A0000162

Installation instructions, accessories

Volvo Car Corporation Gothenburg, Sweden



IMG-278985

Installation instructions, accessories

Volvo Car Corporation Gothenburg, Sweden

Any comments on this publication? Please contact your nearest retailer. Thank You!

Publ.no:	Issue:	Kit no:
Comments:.....		
.....		
.....		
.....		

From:	
Address:	
Telephone:	
Telefax:	

IMG-213320

Installation instructions, accessories

Volvo Car Corporation Gothenburg, Sweden

INTRODUCTION

Read through all of the instructions before starting installation.

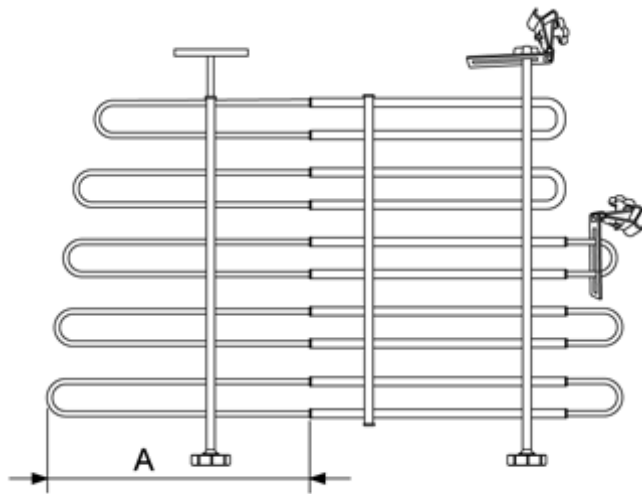
Notifications and warning texts are for your safety and to minimise the risk of something breaking during installation.

Ensure that all tools stated in the instructions are available before starting installation.

Certain steps in the instructions are only presented in the form of images. Explanatory text is also given for more complicated steps.

In the event of any problems with the instructions or the accessory, contact your local Volvo dealer.

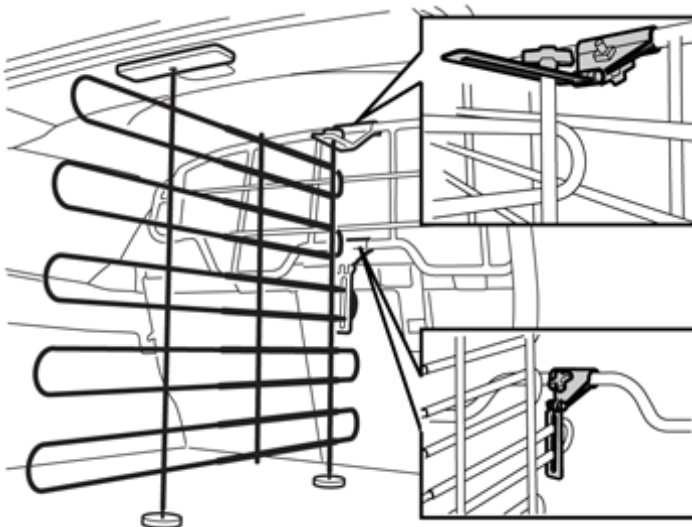
1



IMG-278991

Before installing, pull out/slide in the rear part of the cargo compartment separator so that dimension A is 430 mm (16 15/16").

2



IMG-278992

Position the cargo compartment wall with the clamps into the car.

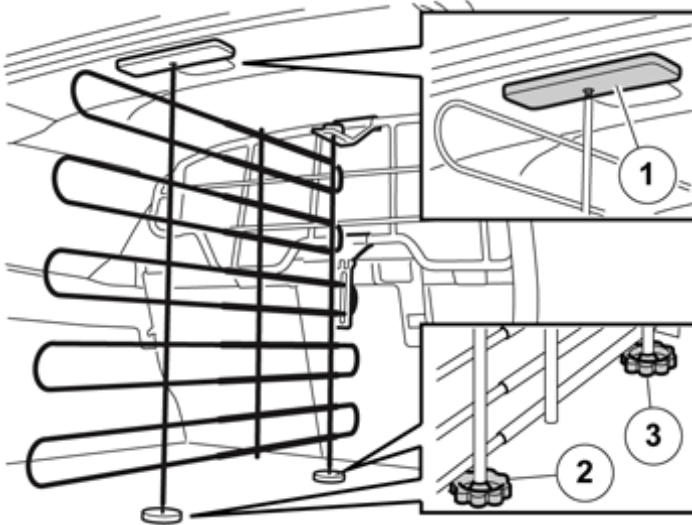
Open the upper clamp and affix it loosely on the top bar of the safety grille.

Open the lower clamp and affix it as illustrated. Tighten the clamps only exactly as much as necessary to grip the grille, do not tighten them yet.

Installation instructions, accessories

Volvo Car Corporation Gothenburg, Sweden

3



IMG-278993

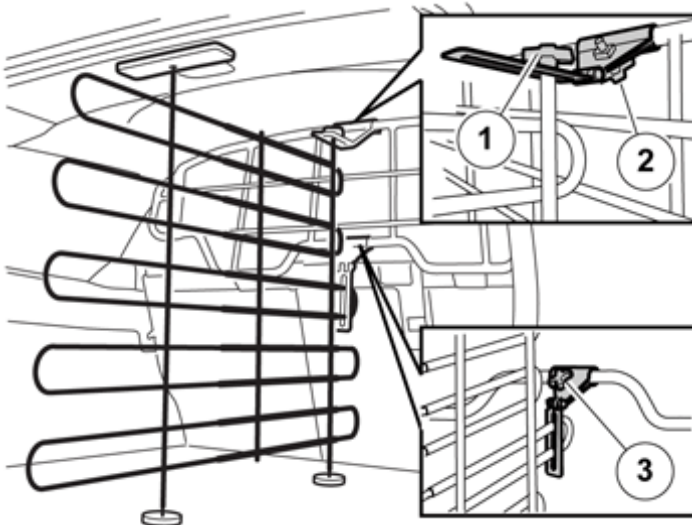
Adjust so that the cargo compartment wall is vertical and in the centre of the cargo compartment.

Screw the support panel (1) so that it is against the roof panel, and is parallel with it.

Screw down the rear support foot (2) so that the cargo compartment wall is tensioned.

Screw down the front support foot (3) so that the cargo compartment wall stands in a straight, vertical position.

4



IMG-278994

Tighten the knobs (1-3).

Check that the cargo compartment wall does not make contact with the tailgate when it closes.