



Installation instructions, accessories

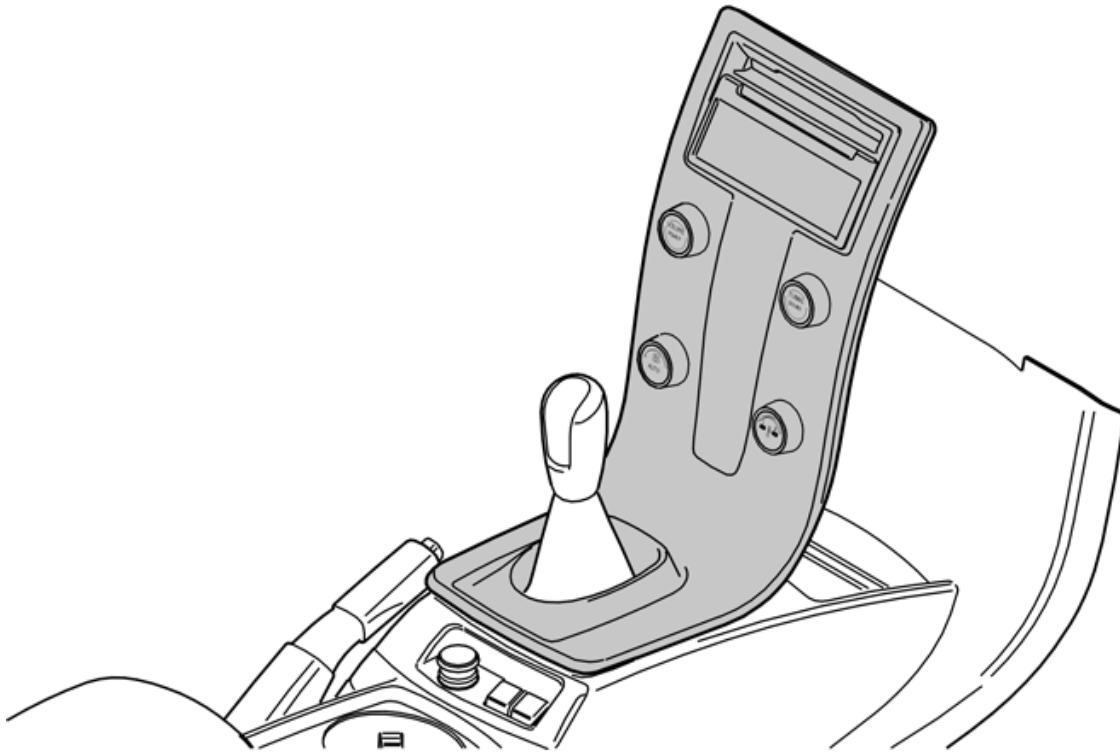
Volvo Car Corporation Gothenburg, Sweden

Instruction No
30766454

Version
1.1

Part. No.
1281842, 30791727, 8648784, 30791869, 8635976, 1287478

Trim panel centre stack



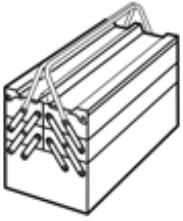
J8504529



Installation instructions, accessories

Volvo Car Corporation Gothenburg, Sweden

Equipment



A0000162

Any comments on this publication? Please contact your nearest retailer. Thank You!

Publ.no:	Issue:	Kit no:
Comments:.....		
.....		
.....		
.....		

From:	
Address:	
Telephone:	
Telefax:	

IMG-213320



Installation instructions, accessories

Volvo Car Corporation Gothenburg, Sweden

INTRODUCTION

Read through all of the instructions before starting installation.

Notifications and warning texts are for your safety and to minimise the risk of something breaking during installation.

Ensure that all tools stated in the instructions are available before starting installation.

Certain steps in the instructions are only presented in the form of images. Explanatory text is also given for more complicated steps.

In the event of any problems with the instructions or the accessory, contact your local Volvo dealer.

1

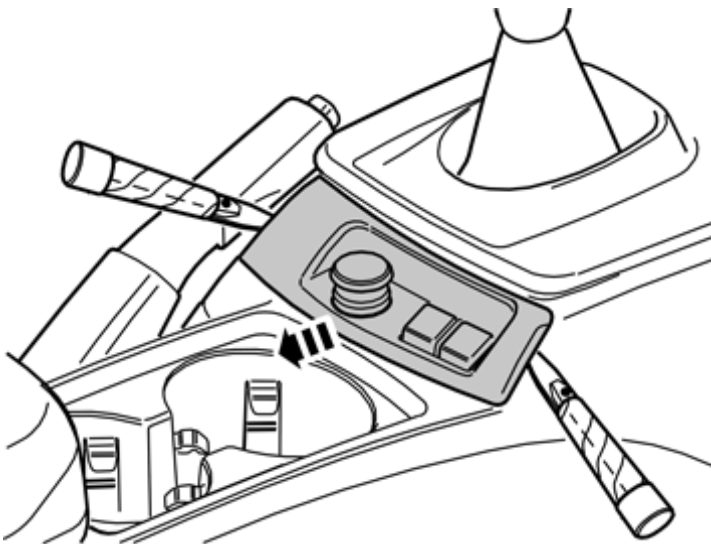
Turn the ignition key to position 0.

Remove the ignition key from the ignition switch.

Note!

Wait at least five minutes before disassembling the connectors or removing other electrical equipment.

2



Detach the panel at the rear edge of the centre console:

Use a plastic weatherstrip tool to pry loose the panel. The panel is secured by a catch on each short side.

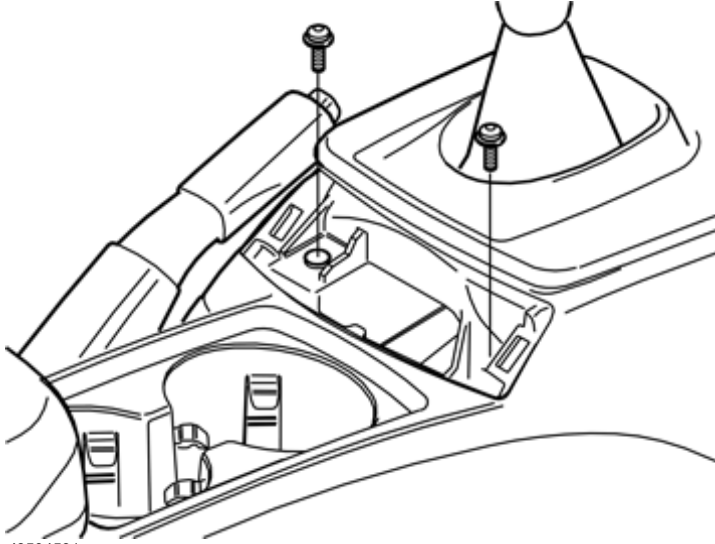
Move the panel to the side, to access the two screws underneath.



Installation instructions, accessories

Volvo Car Corporation Gothenburg, Sweden

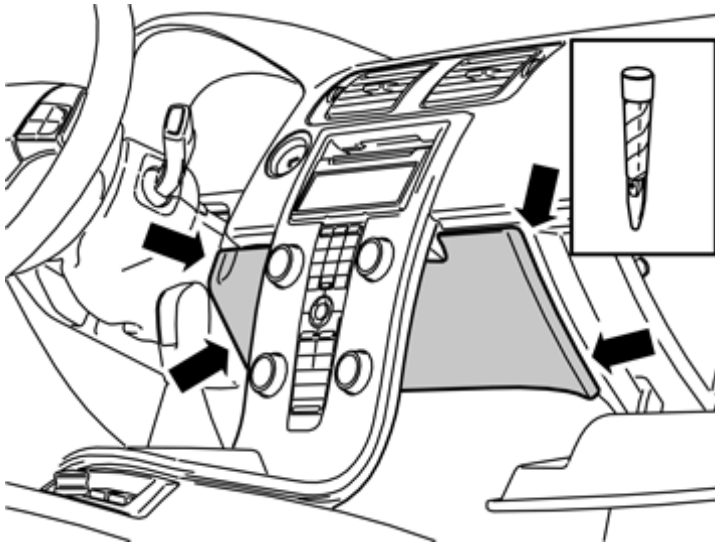
3



J8504531

Remove the two screws holding the centre console at the rear edge.

4



J8504532

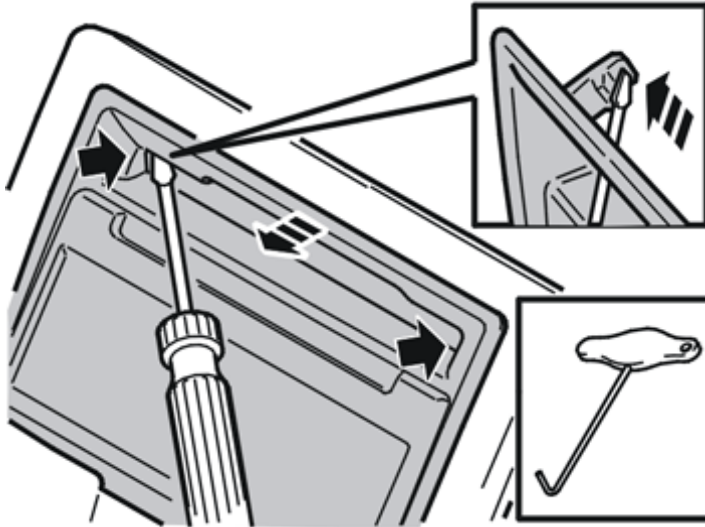
Remove the panel on the rear of the centre console:
Open the glove compartment.
Use a plastic weatherstrip tool to pry loose the panel. The panel is secured by two catches on each long side.
Pull the panel off downwards.



Installation instructions, accessories

Volvo Car Corporation Gothenburg, Sweden

5

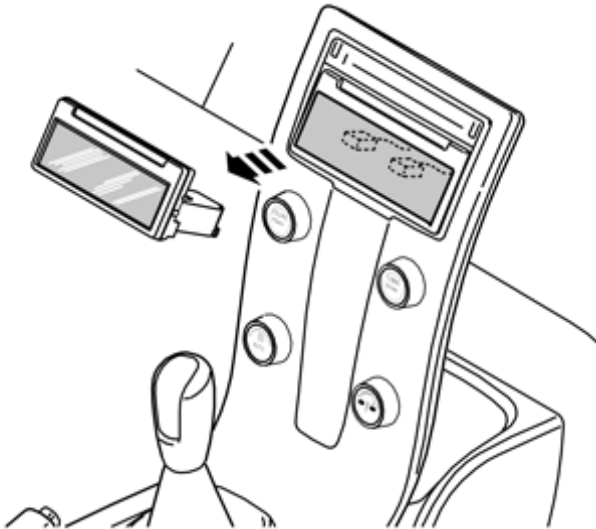


J8504638

Remove the surround for the display and the CD player:

Press in the catches in the edges of the CD player's cover with a small screwdriver, fold the surround back and pull it up.

6



J8504534

Press out the display from the rear of the centre console.

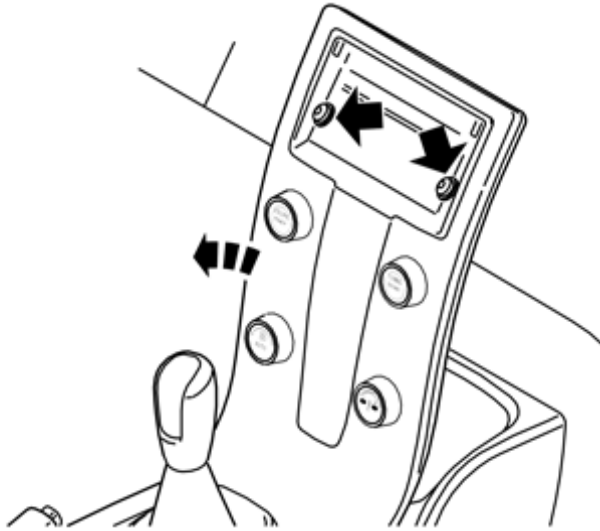
Disconnect the two connectors. Put the display to one side.



Installation instructions, accessories

Volvo Car Corporation Gothenburg, Sweden

7



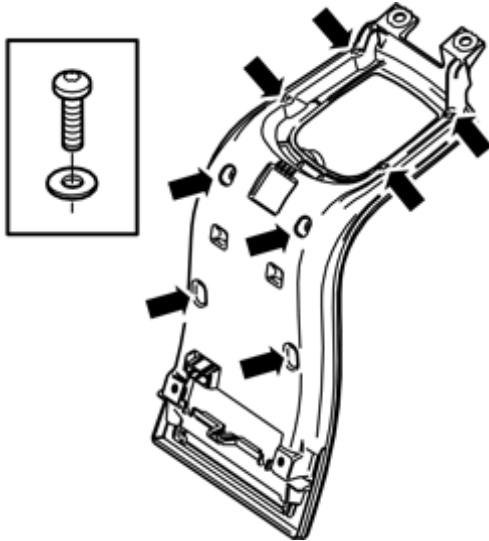
J8504535

Remove the two screws holding the centre console to the dashboard.

Remove the connector on the reverse of the dashboard environment panel.

Remove the centre console from the dashboard and tunnel console.

8



J8504537

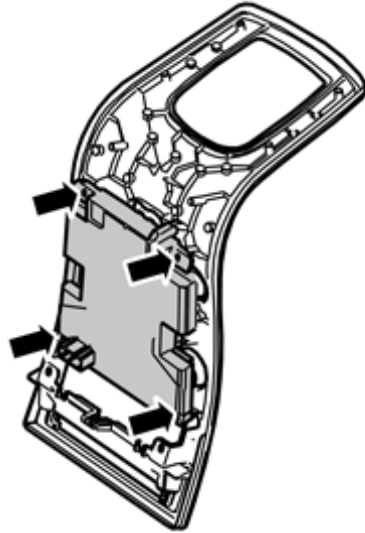
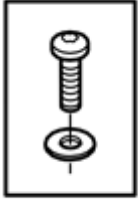
Remove the eight screws on the rear of the centre console.
Remove the rear section.



Installation instructions, accessories

Volvo Car Corporation Gothenburg, Sweden

9



Remove the four screws for the dashboard environment panel.

Remove the dashboard environment panel. Put it to one side.

Remove the panel from the centre console. A new panel is in the kit.

J8504536

10

Take the new panel. Reinstall:

dashboard environment panel

rear section

the centre console for the dashboard and tunnel console

the connector for the dashboard environment panel

the connectors for the display

the display

the surround for the display and CD player

the panel on the rear of the centre console

the panel at the rear edge of the centre console.