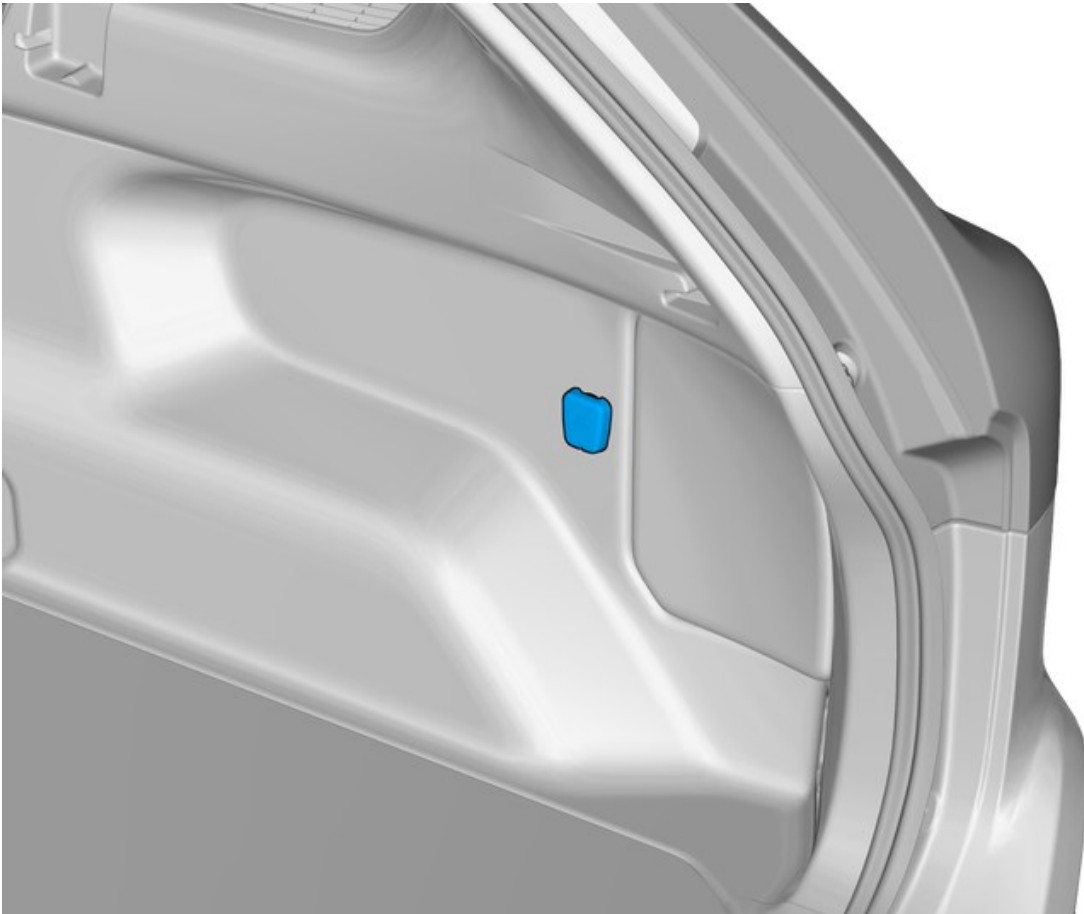


# Installation instructions, accessories

Volvo Car Corporation Gothenburg, Sweden

**Instruction No** 31439219    **Version** 1.0    **Part. No.** 31435603, 9452379, 31260562

## Electrical socket, load compartment



IMG-391176

### Special tools

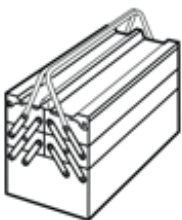
999 5919 PULLER (SEAL-PINION,CAM-CRANKSHAFT)B200-6304

Tool number:999 5919

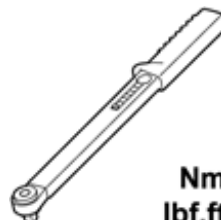
Tool description:PULLER (SEAL-PINION,CAM-CRANKSHAFT)B200-6304

Tool boards:46

### Equipment



27 mm



Nm  
lbf.ft

# Installation instructions, accessories

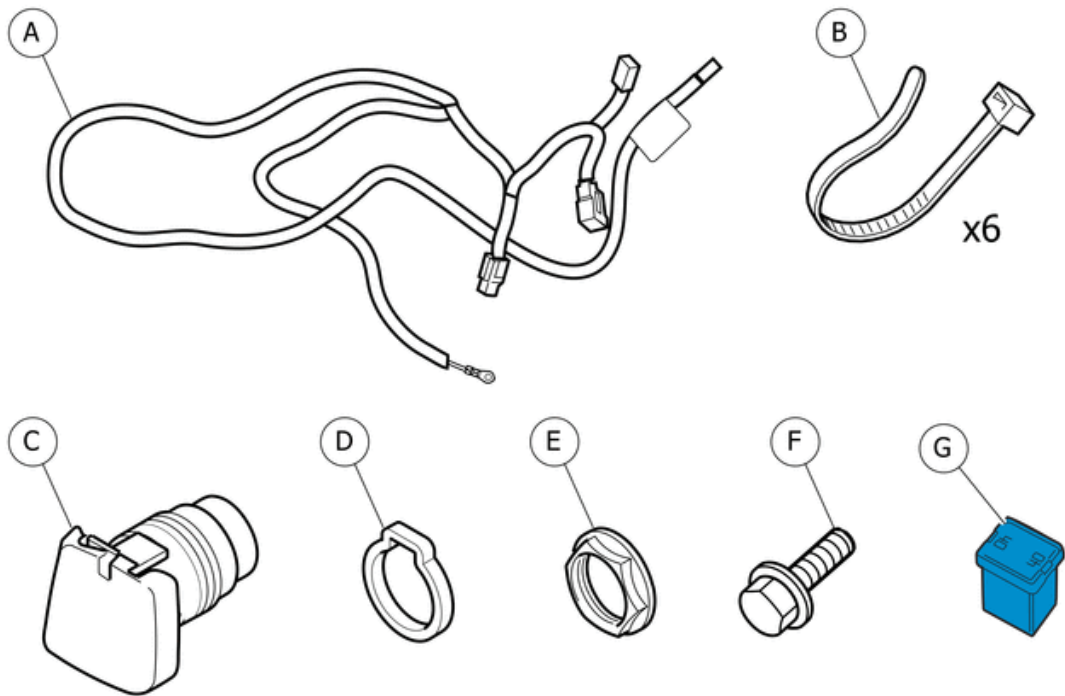
Volvo Car Corporation Gothenburg, Sweden

A0000162

IMG-239660

IMG-282889

IMG-239664



IMG-390556

# Installation instructions, accessories

Volvo Car Corporation Gothenburg, Sweden

---

## Information

---

1

Read through all of the instructions before starting installation.

Notifications and warning texts are for your safety and to minimise the risk of something breaking during installation.

Ensure that all tools stated in the instructions are available before starting installation.

Certain steps in the instructions are only presented in the form of images. Explanatory text is also given for more complicated steps.

In the event of any problems with the instructions or the accessory, contact your local Volvo dealer.

---

## Further information

---

2

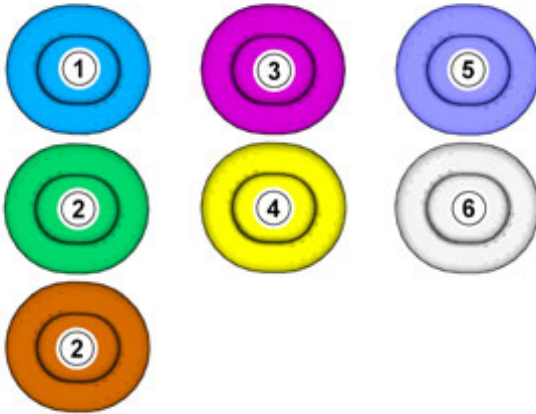
There may be parts in the accessories kit that are not needed for this installation.

---

## Color symbols

---

3



IMG-363036

### Note!

This colour chart displays (in colour print and electronic version) the importance of the different colours used in the images of the method steps.

1. Used for focused component, the component with which you will do something.
  2. Used as extra colors when you need to show or differentiate additional parts.
  3. Used for attachments that are to be removed/installed. May be screws, clips, connectors, etc.
  4. Used when the component is not fully removed from the vehicle but only hung to the side.
  5. Used for standard tools and special tools.
  6. Used as background color for vehicle components.
- 

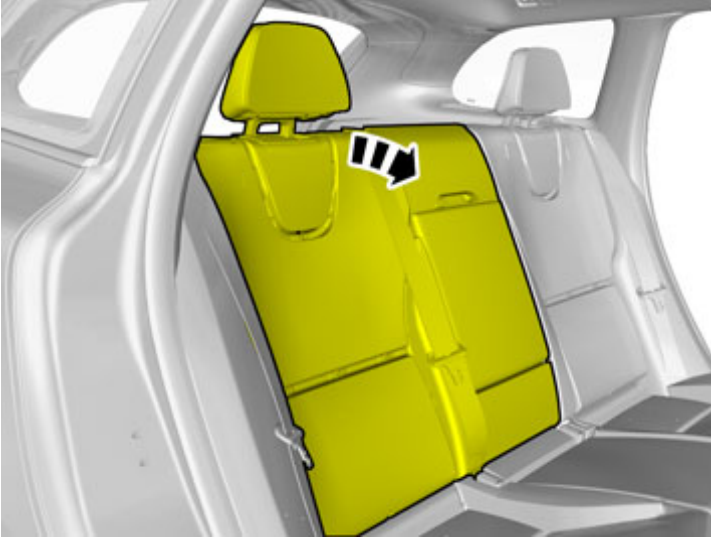
## Removal

---

# Installation instructions, accessories

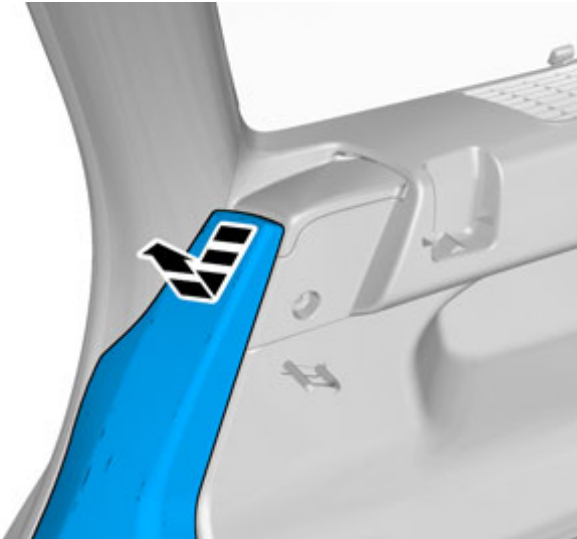
Volvo Car Corporation Gothenburg, Sweden

4



IMG-377298

5

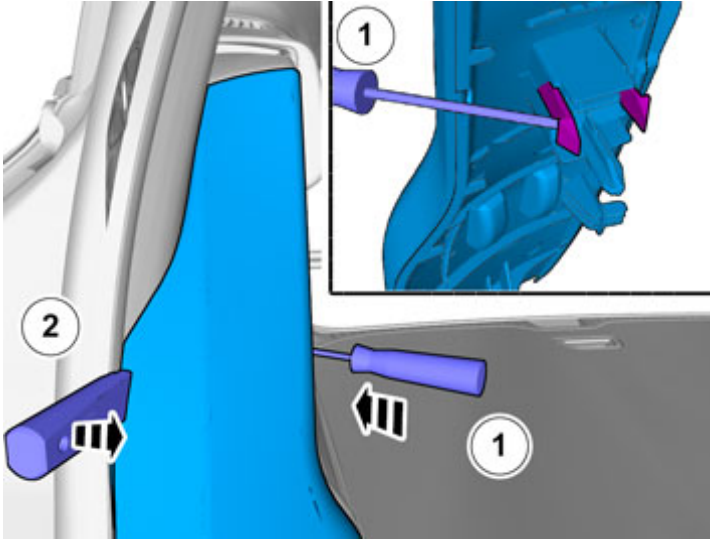


IMG-377299

# Installation instructions, accessories

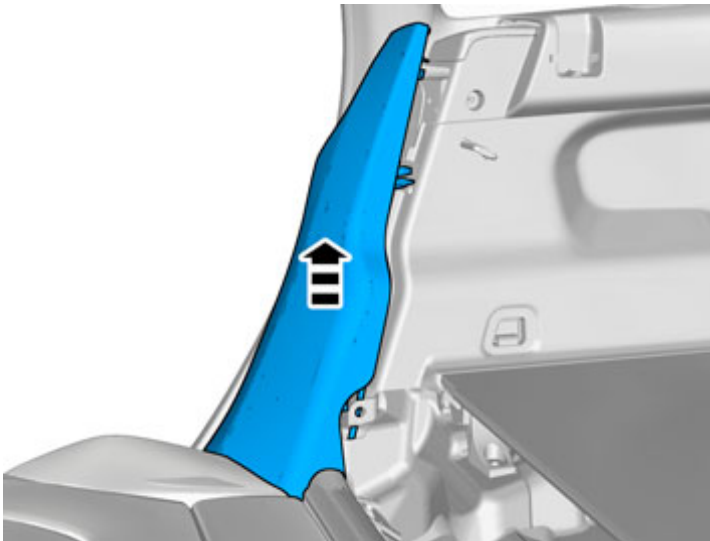
Volvo Car Corporation Gothenburg, Sweden

6



IMG-377300

7

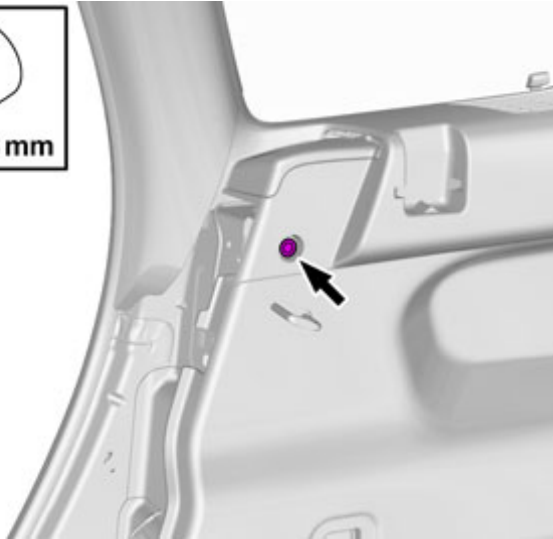


IMG-377302

# Installation instructions, accessories

Volvo Car Corporation Gothenburg, Sweden

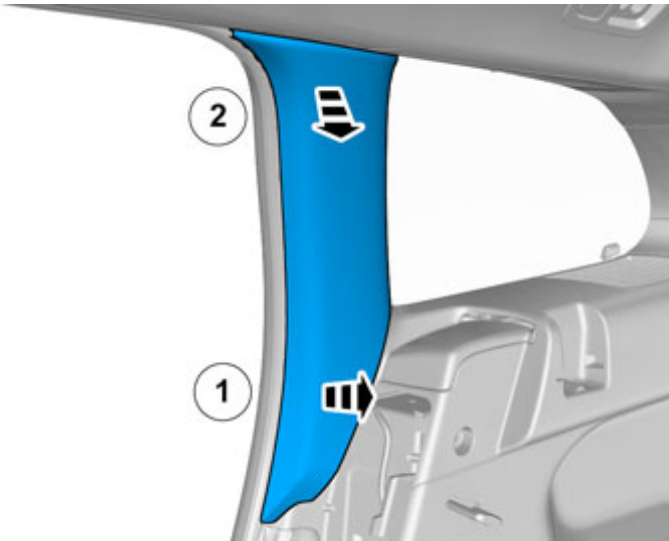
8



Remove the screw.

IMG-377309

9

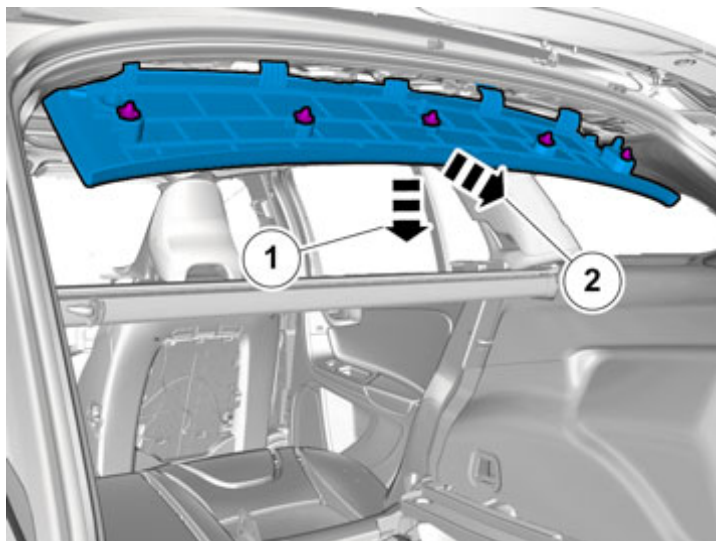


IMG-377320

# Installation instructions, accessories

Volvo Car Corporation Gothenburg, Sweden

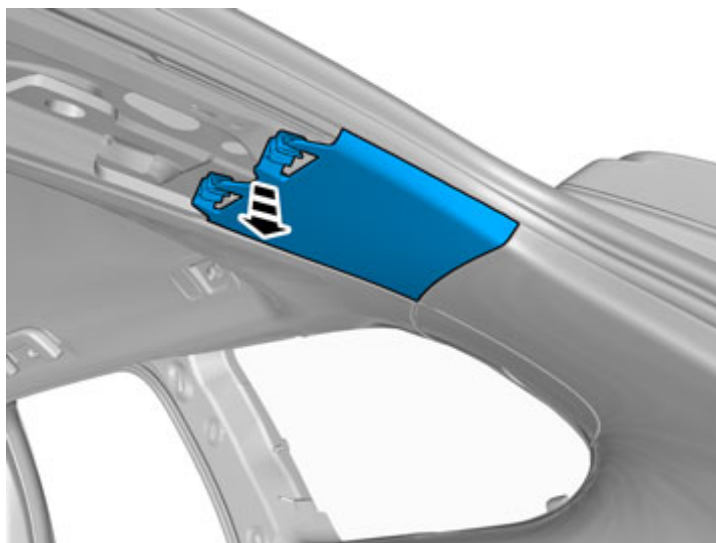
10



IMG-343420

Remove the panel.

11



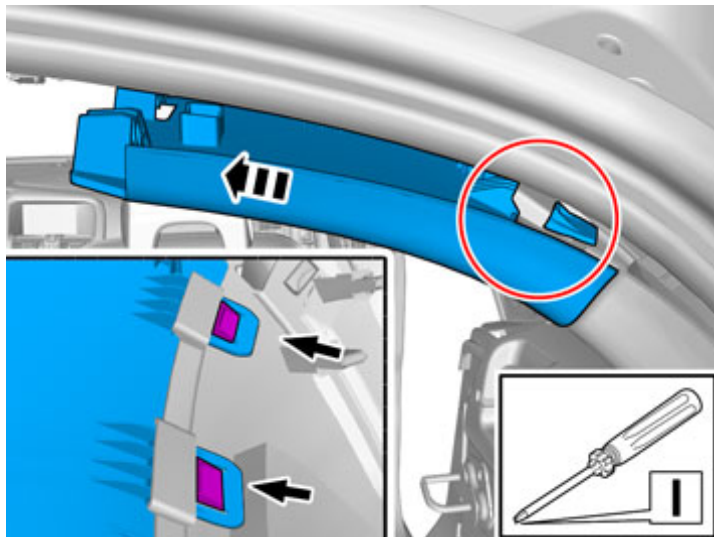
IMG-377345

Detach the panel.

# Installation instructions, accessories

Volvo Car Corporation Gothenburg, Sweden

12

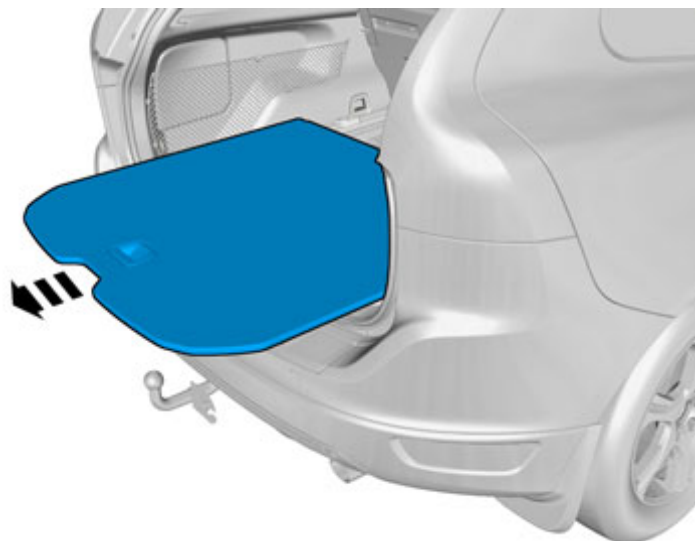


IMG-377347

Release the catches.

Remove the panel.

13



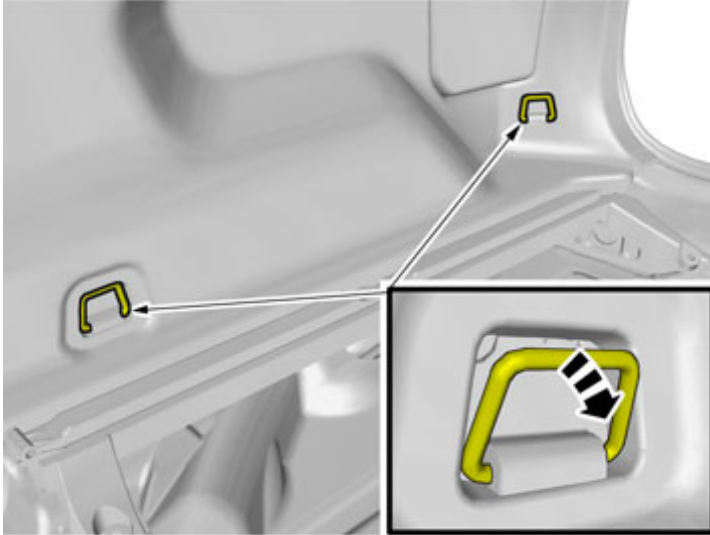
IMG-346921



# Installation instructions, accessories

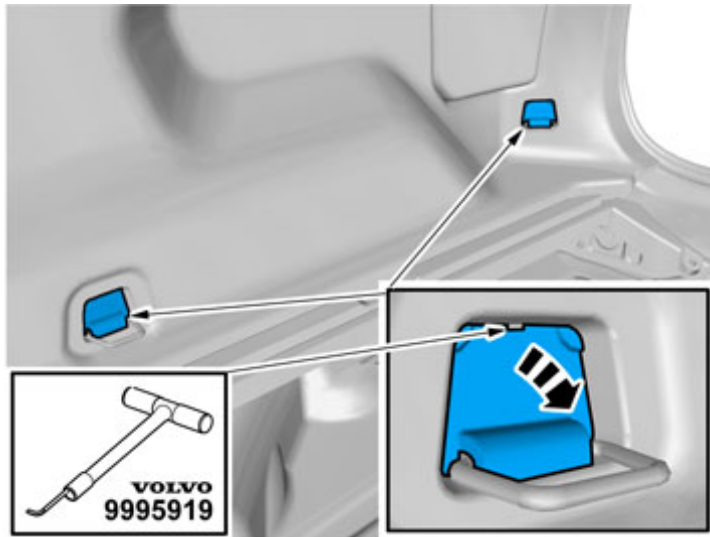
Volvo Car Corporation Gothenburg, Sweden

14



IMG-307608

15



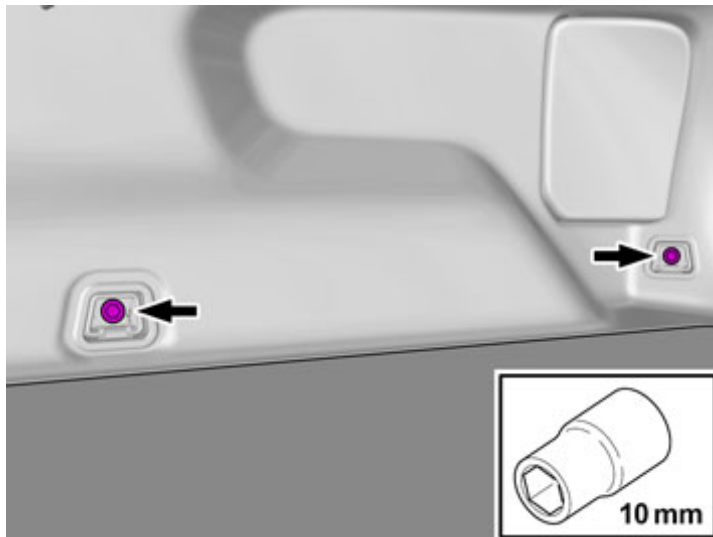
IMG-307609

**Use special tool:** T9995919, PULLER (SEAL-PINION,CAM-CRANKSHAFT)B200-6304

# Installation instructions, accessories

Volvo Car Corporation Gothenburg, Sweden

16

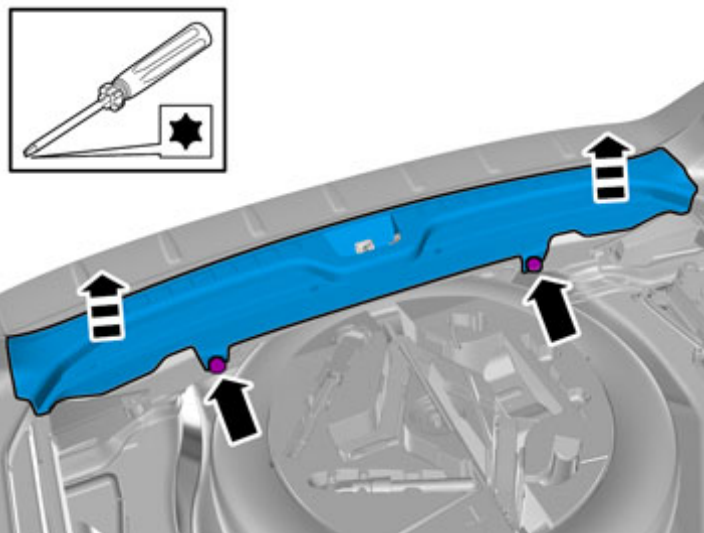


IMG-377342

Remove the screws.

**Tightening torque: M8 , 24 Nm**

17



IMG-346861

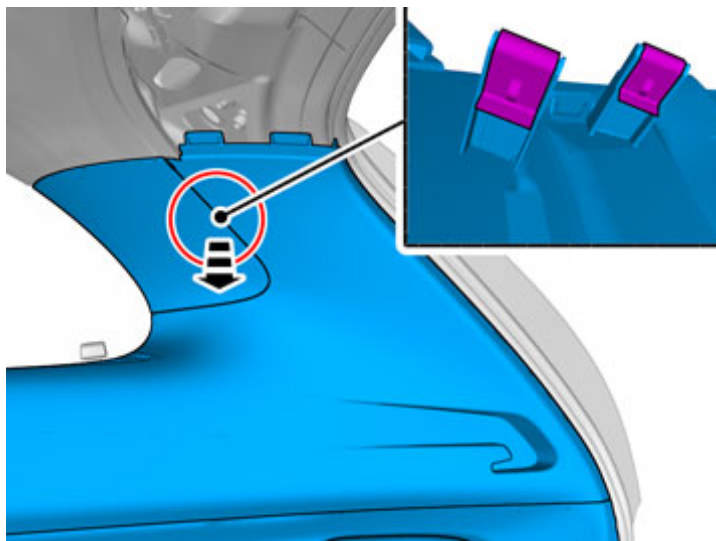
Remove the screws.

Remove the panel.

# Installation instructions, accessories

Volvo Car Corporation Gothenburg, Sweden

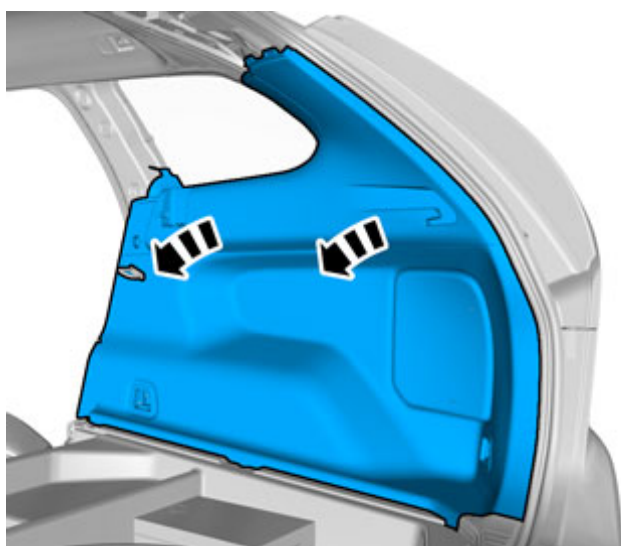
18



IMG-377350

Detach the panel.

19



IMG-377352

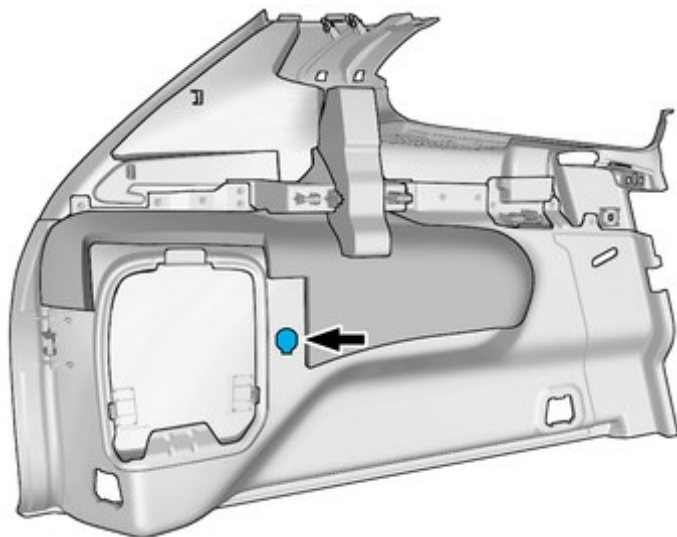
Remove the panel.

# Installation instructions, accessories

Volvo Car Corporation Gothenburg, Sweden

20

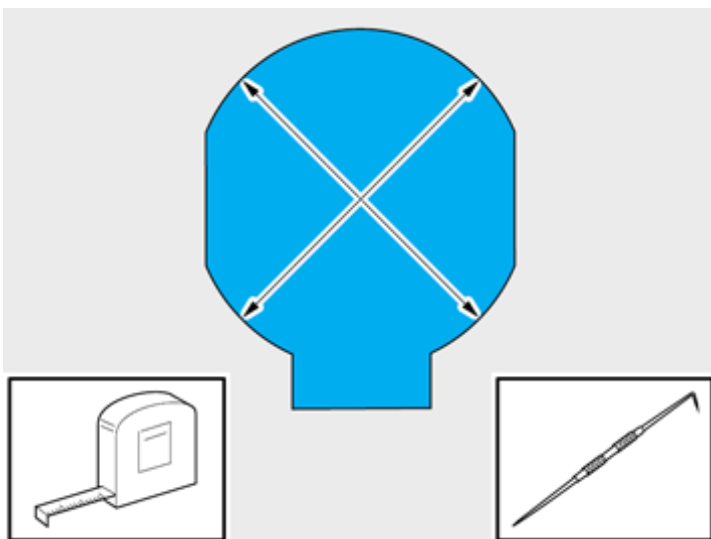
Locate relevant marking.



IMG-391160

21

Measure and mark out the centre.

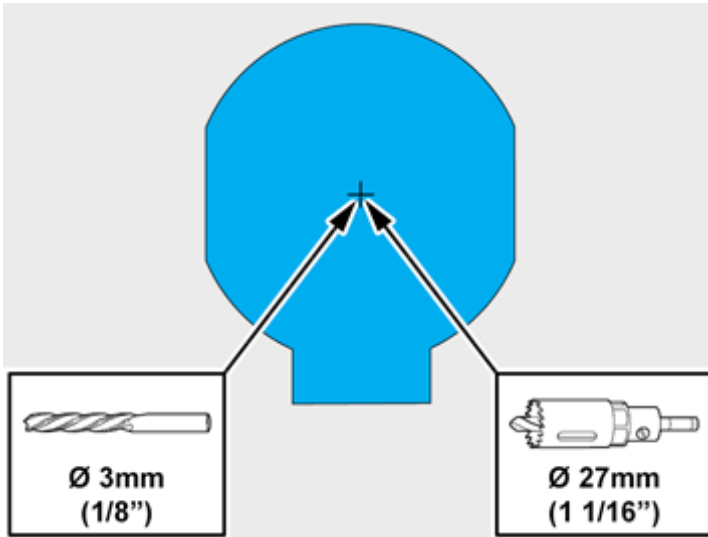


IMG-373772

# Installation instructions, accessories

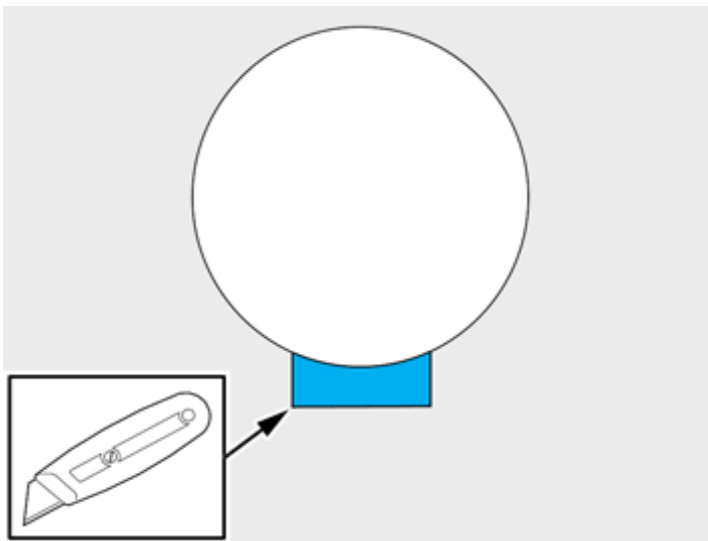
Volvo Car Corporation Gothenburg, Sweden

22



IMG-373773

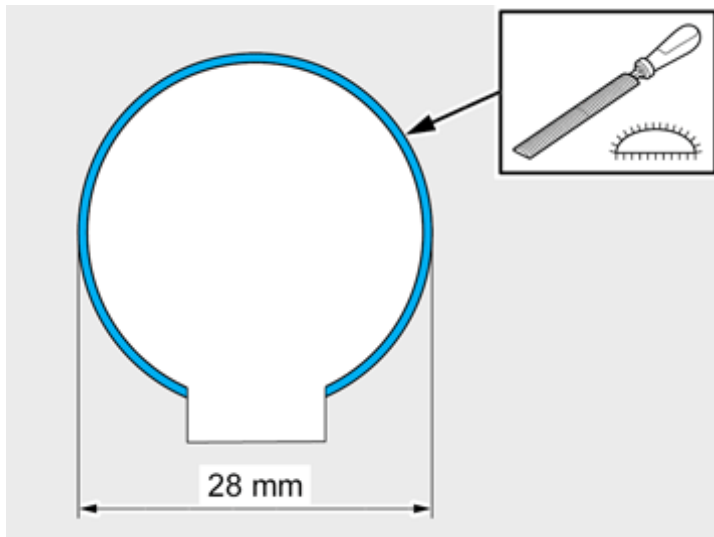
23



# Installation instructions, accessories

Volvo Car Corporation Gothenburg, Sweden

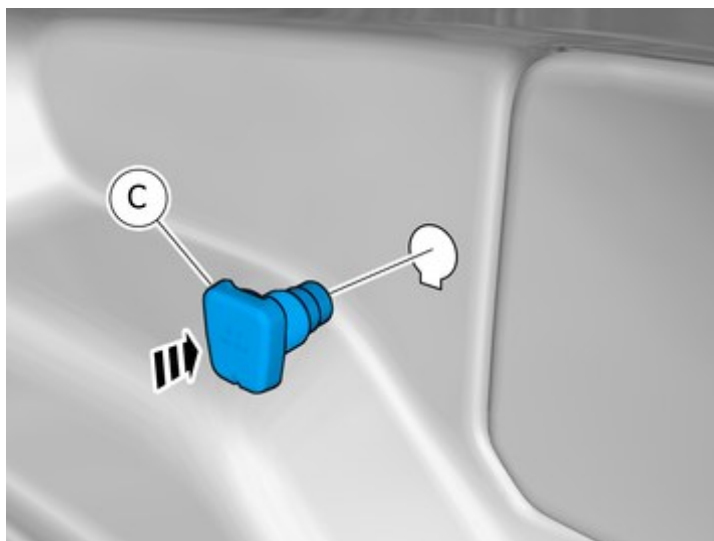
24



IMG-373775

Prepare the hole diameter.

25



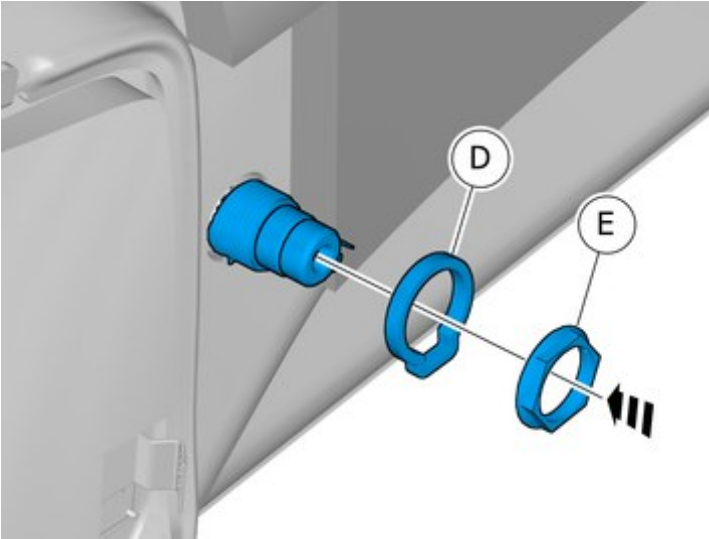
IMG-391167

Install component that comes with the accessory kit.

# Installation instructions, accessories

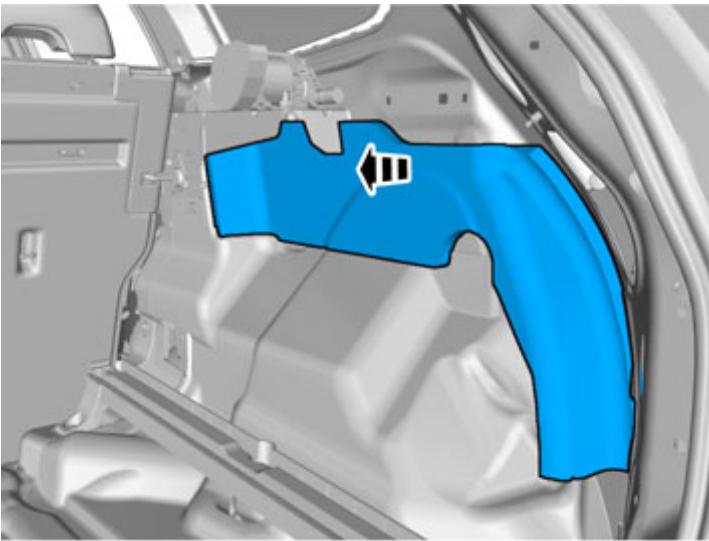
Volvo Car Corporation Gothenburg, Sweden

26



IMG-391165

27

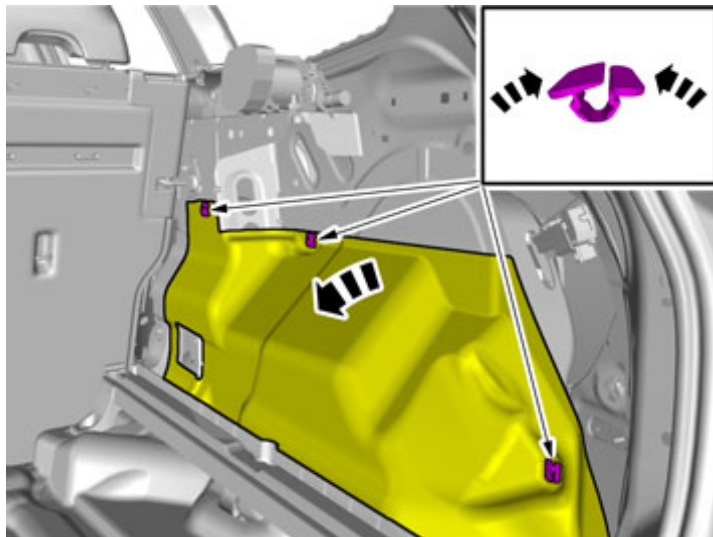


IMG-308085

# Installation instructions, accessories

Volvo Car Corporation Gothenburg, Sweden

28

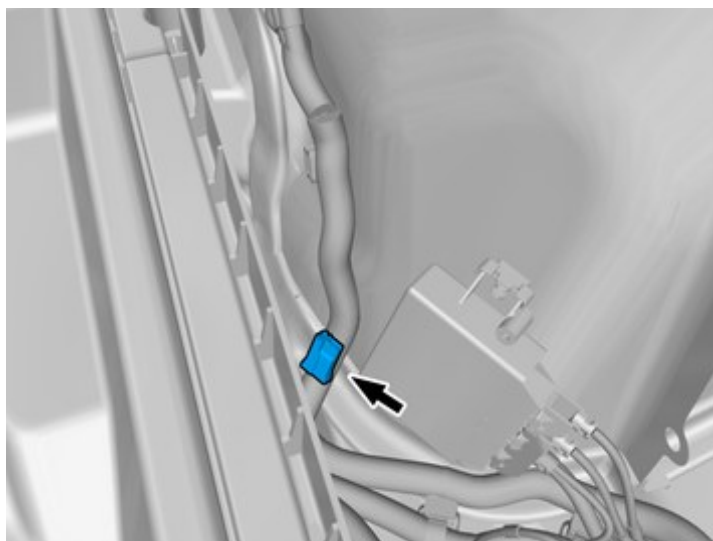


IMG-308086

Remove the clips.

Fold the insulation to one side.

29



IMG-391181

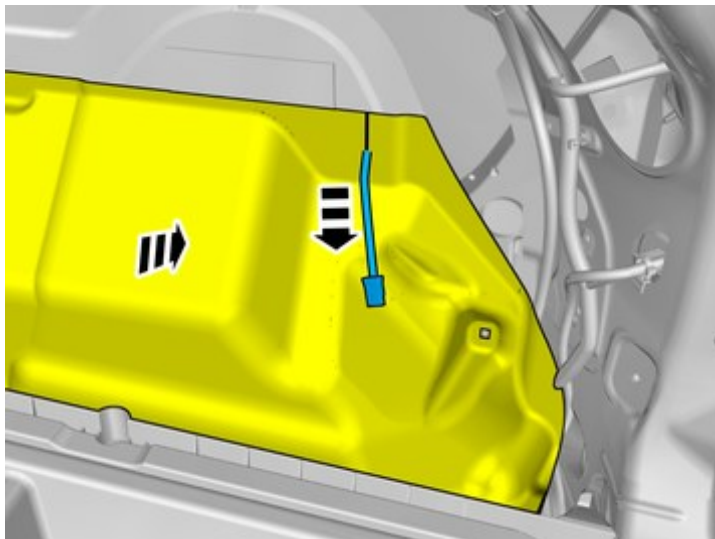
Locate and disconnect the 2-pin connector that is taped to the car's cable harness.



# Installation instructions, accessories

Volvo Car Corporation Gothenburg, Sweden

30



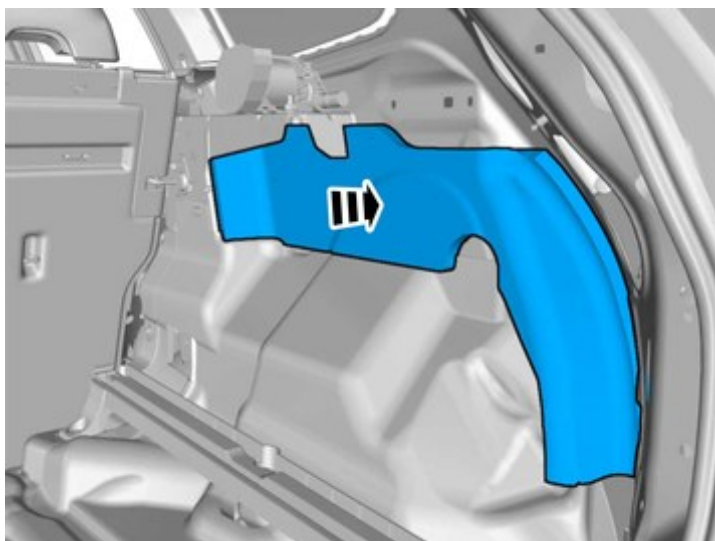
IMG-391195

Pull the wiring through.

Refit the insulation.

Reinstall the clips.

31



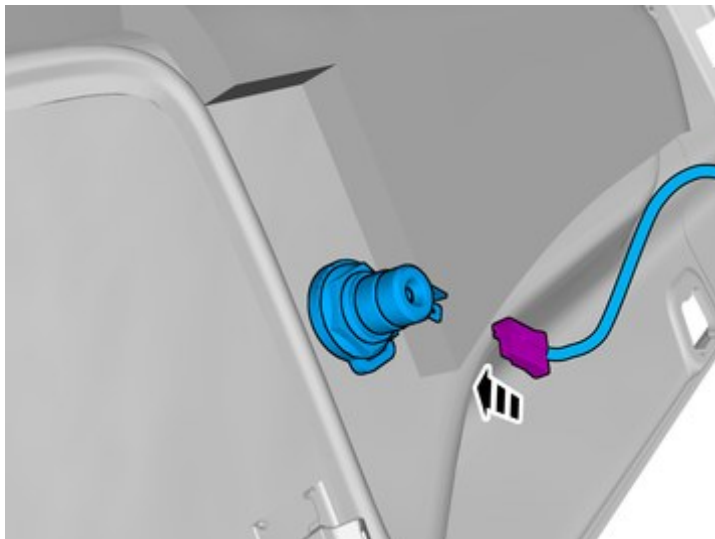
IMG-391180

Reinstall the removed part.

# Installation instructions, accessories

Volvo Car Corporation Gothenburg, Sweden

32



IMG-391201

Connect the connector.

33

Reinstall the removed parts in reverse order.

IMG-356971