

Installation instructions, accessories

Volvo Car Corporation Gothenburg, Sweden


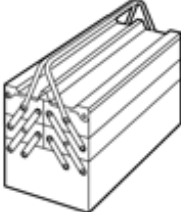

Instruction No 31373813 **Version** 1.3 **Part. No.** 32204201, 32204202, 31470243, 31470244, 31373809, 31373810, 31428587, 31428588, 31428807, 31428808

Parking assistance, camera, rear

Special tools

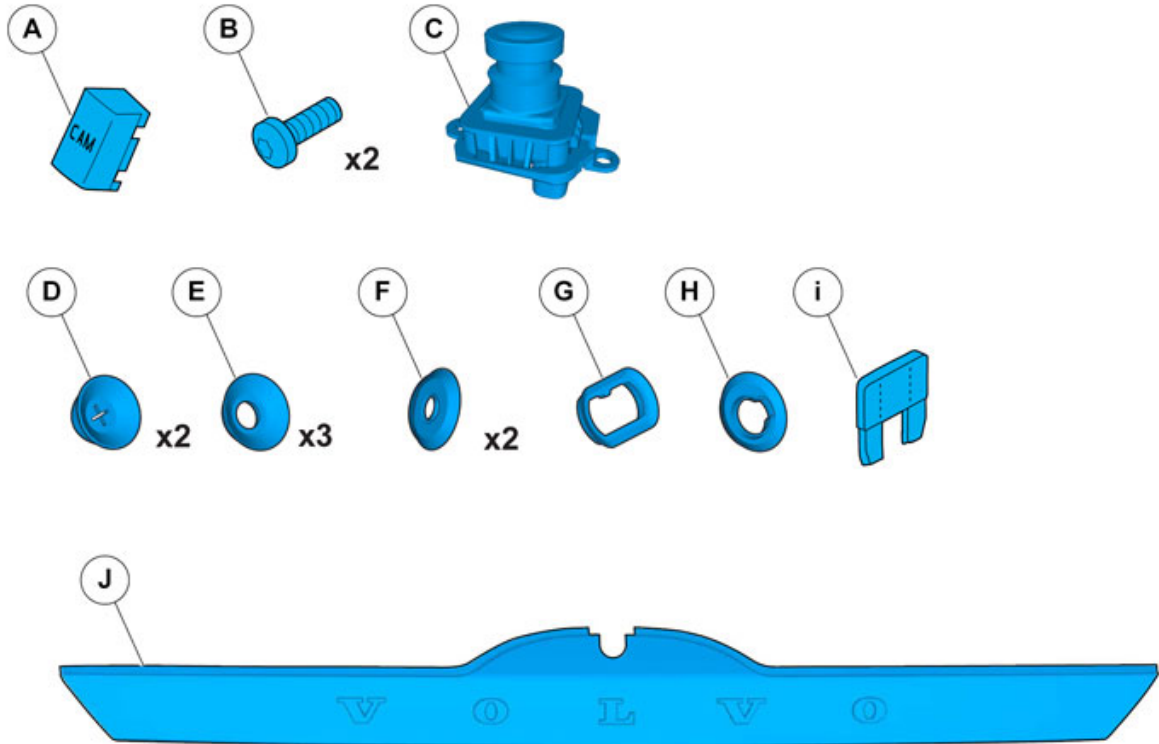
	981 4088 Puller Tool number:981 4088 Tool description:Puller Tool boards:80
	999 7390 Key Tool number:999 7390 Tool description:Key Tool boards:80

Equipment

 IMG-242205	 IMG-345497	 IMG-239664	Nm lbf.ft
--	--	--	----------------------------

Installation instructions, accessories

Volvo Car Corporation Gothenburg, Sweden



IMG-381049

Installation instructions, accessories

Volvo Car Corporation Gothenburg, Sweden

36648-2
Parking assistance, camera, rear

Information

- 1
- Read through all of the instructions before starting installation.
- Notifications and warning texts are for your safety and to minimise the risk of something breaking during installation.
- Ensure that all tools stated in the instructions are available before starting installation.
- Certain steps in the instructions are only presented in the form of images. Explanatory text is also given for more complicated steps.
- In the event of any problems with the instructions or the accessory, contact your local Volvo dealer.
-

Removal

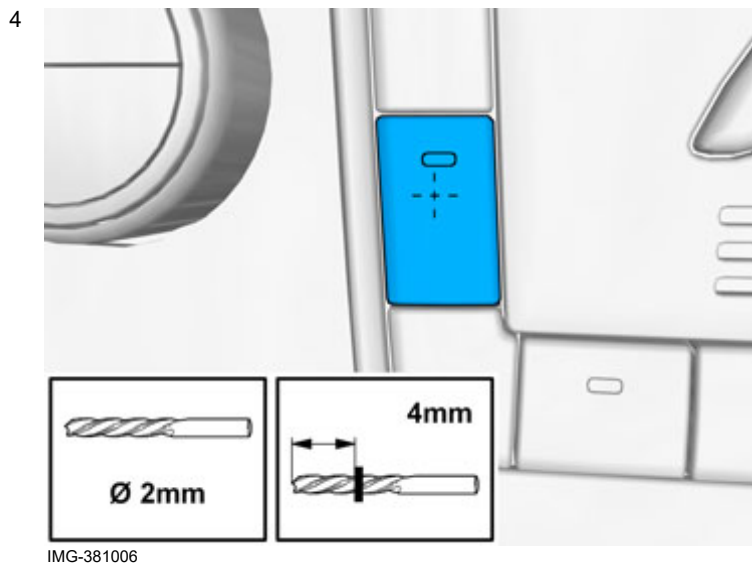
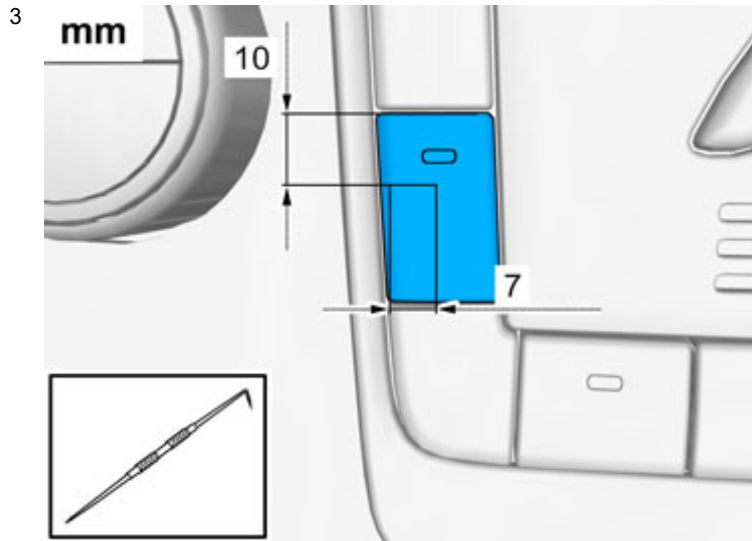
2



IMG-332193

Installation instructions, accessories

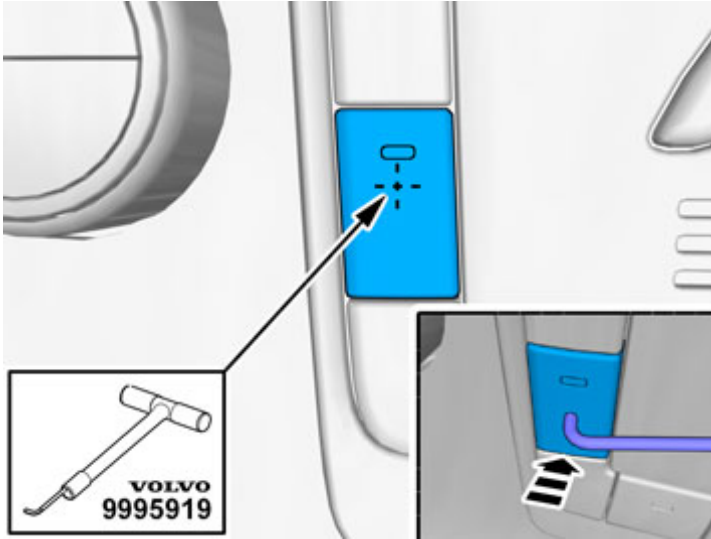
Volvo Car Corporation Gothenburg, Sweden



Installation instructions, accessories

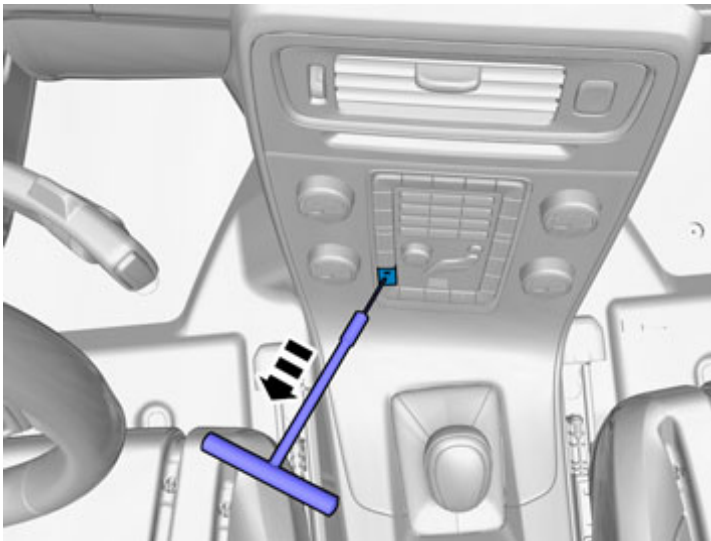
Volvo Car Corporation Gothenburg, Sweden

5



IMG-381020

6



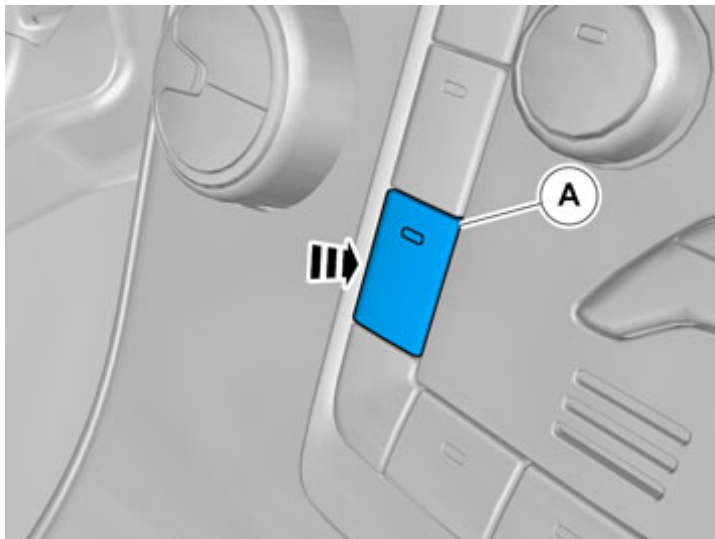
IMG-380996

Accessory installation

Installation instructions, accessories

Volvo Car Corporation Gothenburg, Sweden

7

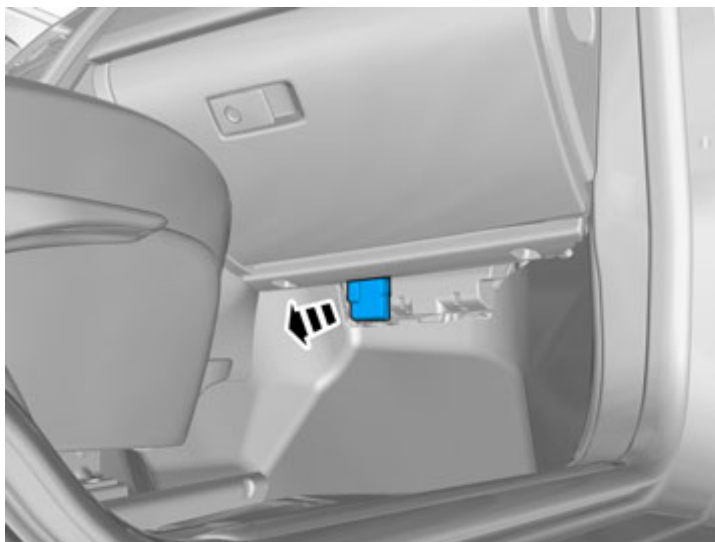


IMG-381003

Install component that comes with the accessory kit.

Removal

8



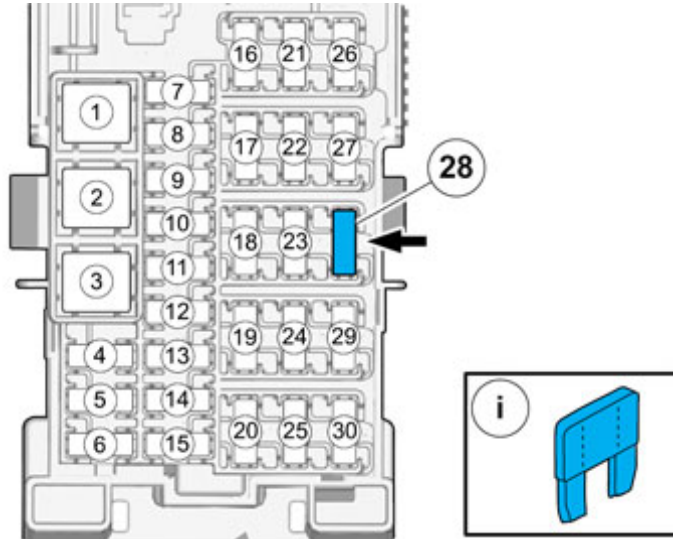
IMG-381919

Accessory installation

Installation instructions, accessories

Volvo Car Corporation Gothenburg, Sweden

9



IMG-381922

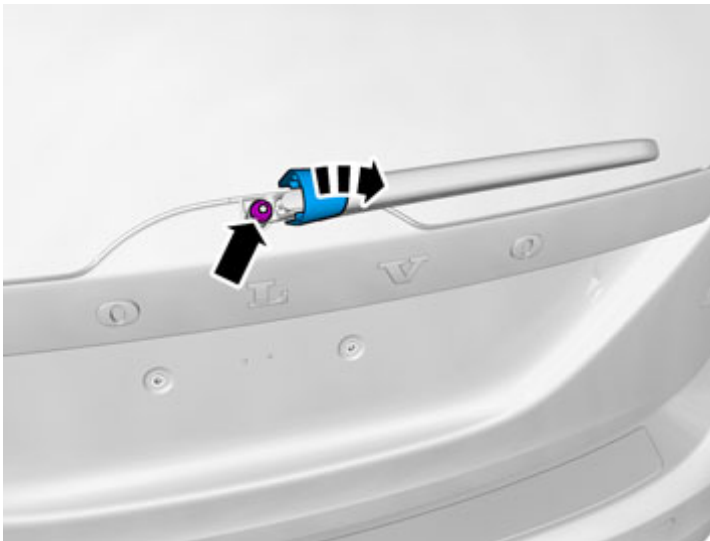
Install component that comes with the accessory kit.

10

Reinstall the removed parts in reverse order.

Removal

11

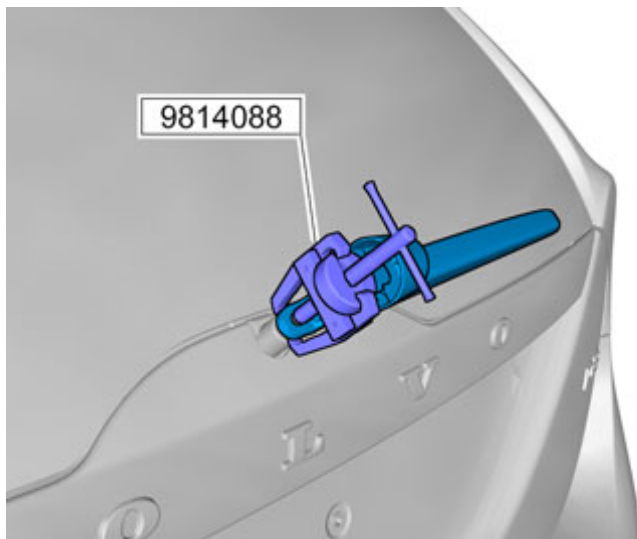


IMG-344481

Installation instructions, accessories

Volvo Car Corporation Gothenburg, Sweden

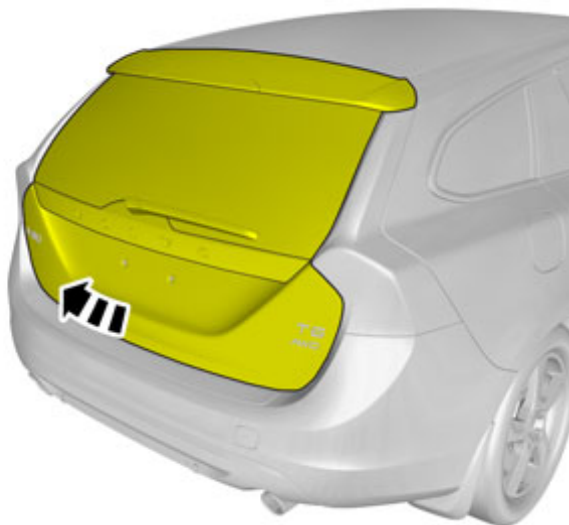
12



IMG-344483

Use special tool: T9814088, Puller

13



IMG-351651

Installation instructions, accessories

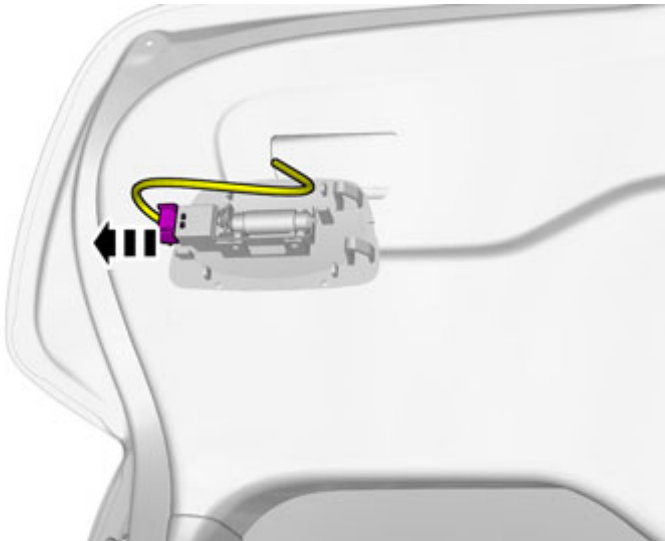
Volvo Car Corporation Gothenburg, Sweden

14



IMG-344484

15

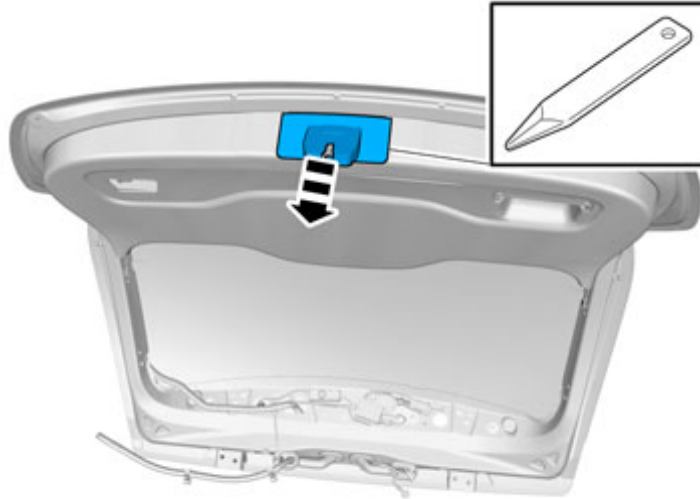


IMG-344487

Installation instructions, accessories

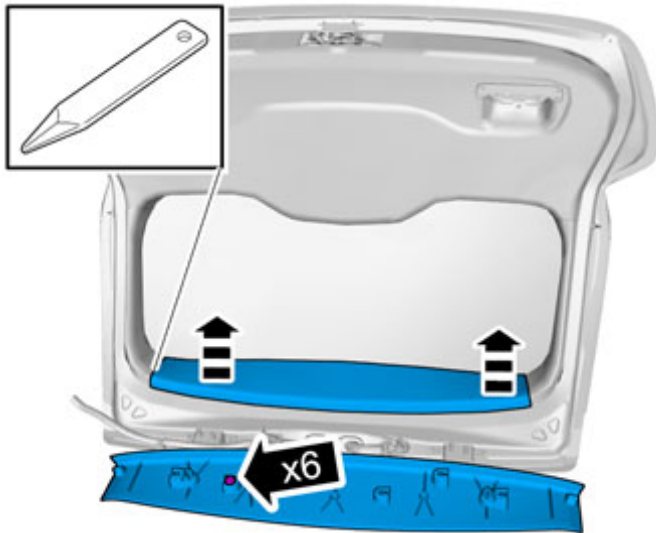
Volvo Car Corporation Gothenburg, Sweden

16



IMG-344488

17



IMG-344489

Installation instructions, accessories

Volvo Car Corporation Gothenburg, Sweden

18



IMG-344490

Repeat on the other side.

19

Note!
Orientation view

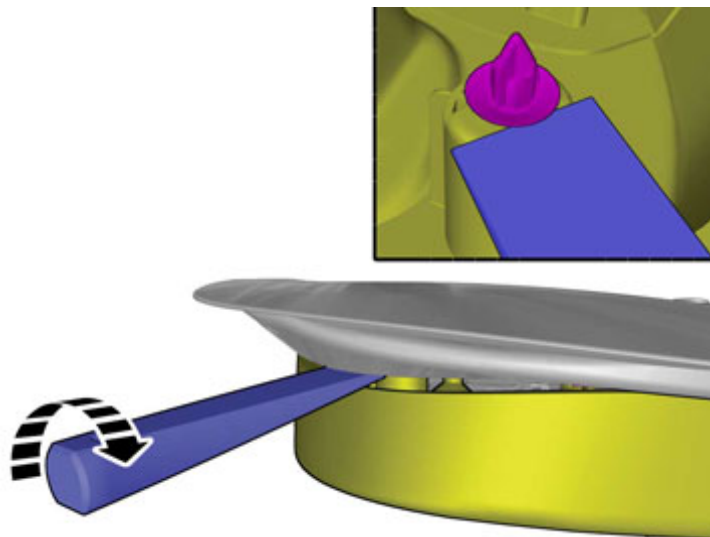


IMG-352241

Installation instructions, accessories

Volvo Car Corporation Gothenburg, Sweden

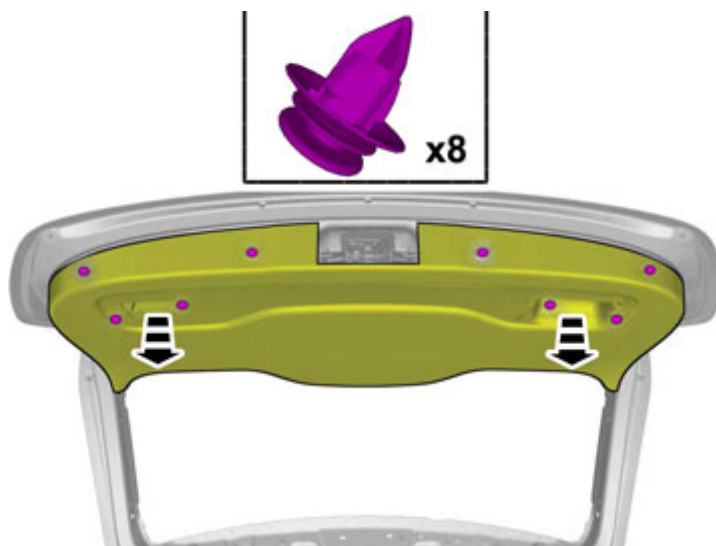
20



Use special tool: T9997390, Key

IMG-352242

21



IMG-352243

Installation instructions, accessories

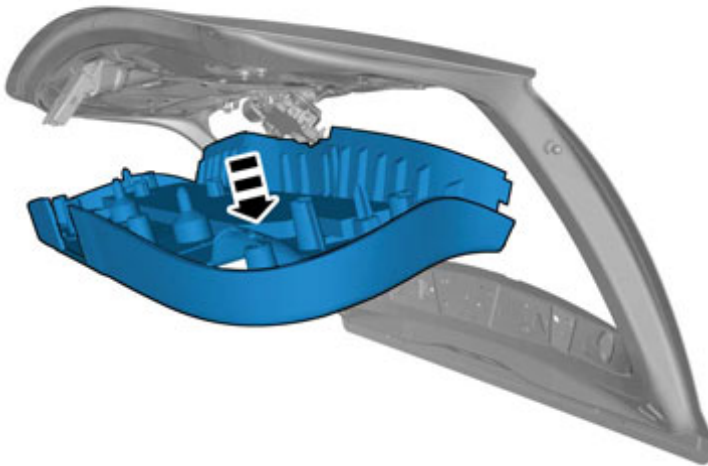
Volvo Car Corporation Gothenburg, Sweden

22



IMG-352244

23

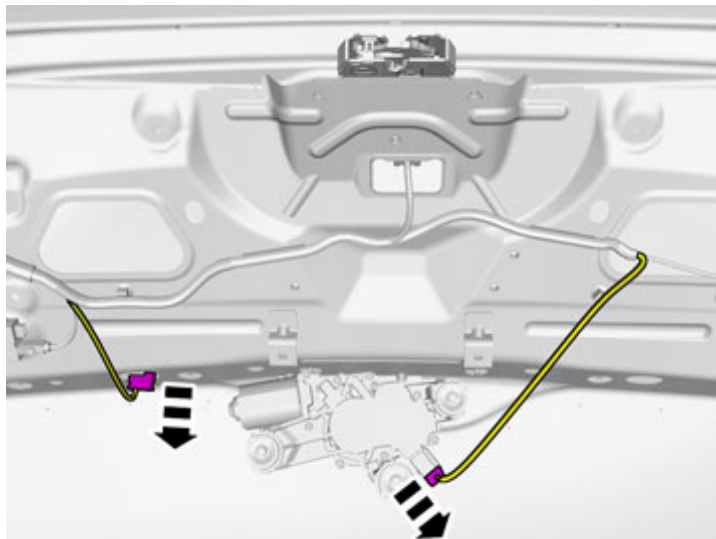


IMG-352246

Installation instructions, accessories

Volvo Car Corporation Gothenburg, Sweden

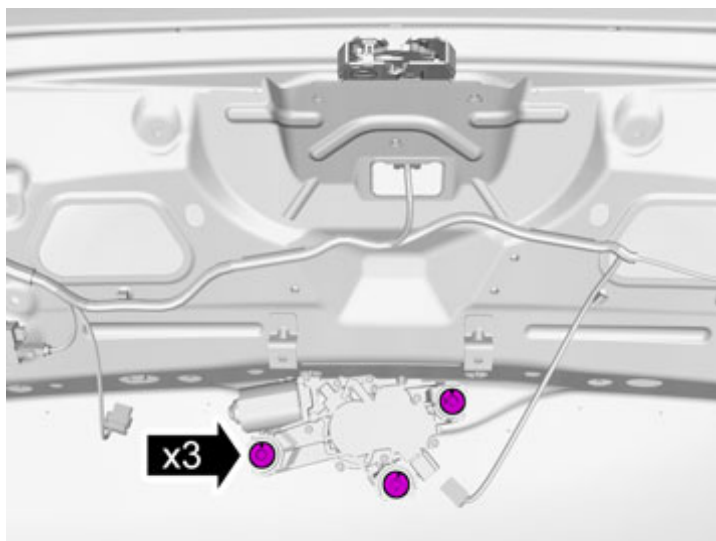
24



IMG-344495

Disconnect the connectors.

25



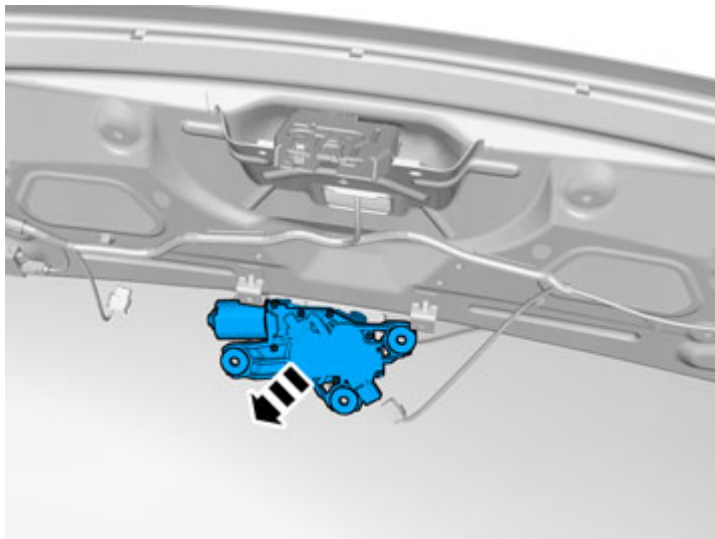
IMG-344494

Remove the screws.

Installation instructions, accessories

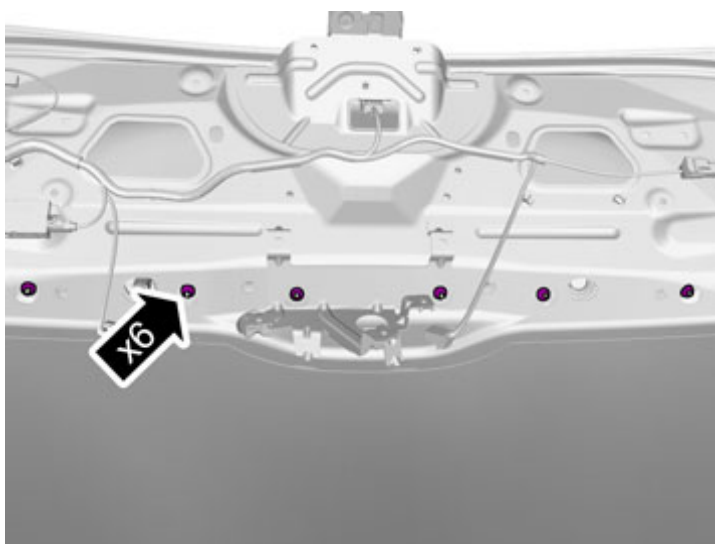
Volvo Car Corporation Gothenburg, Sweden

26



IMG-344496

27



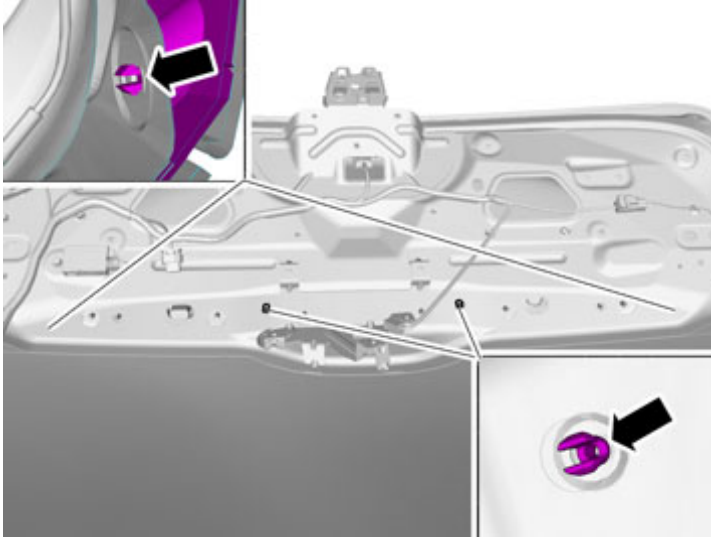
IMG-344497

Remove the nuts.

Installation instructions, accessories

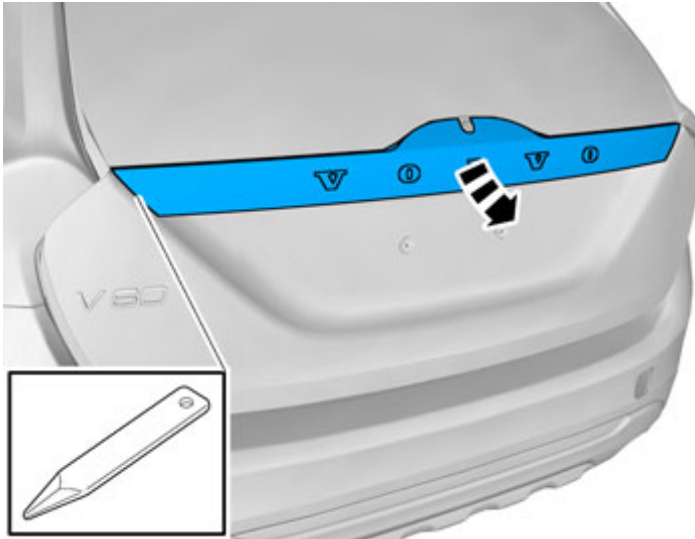
Volvo Car Corporation Gothenburg, Sweden

28



IMG-344499

29



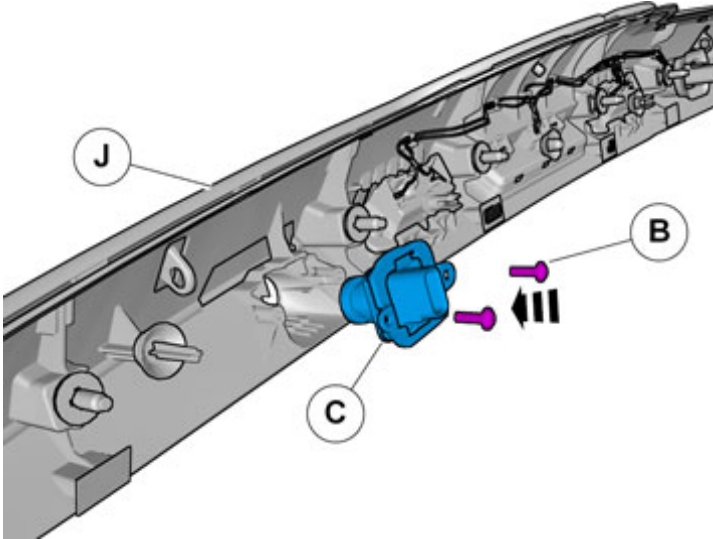
IMG-344498

Accessory installation

Installation instructions, accessories

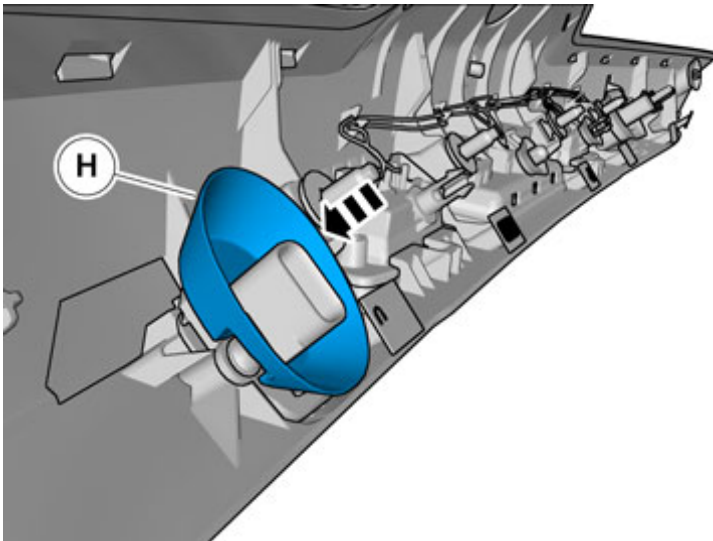
Volvo Car Corporation Gothenburg, Sweden

30



IMG-381050

31

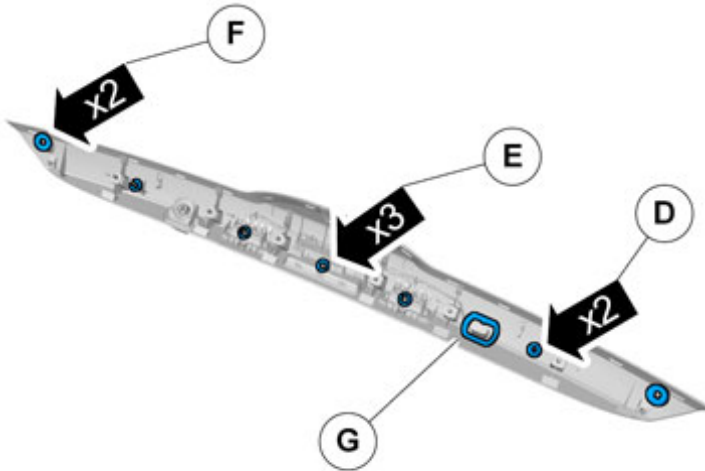


IMG-381051

Installation instructions, accessories

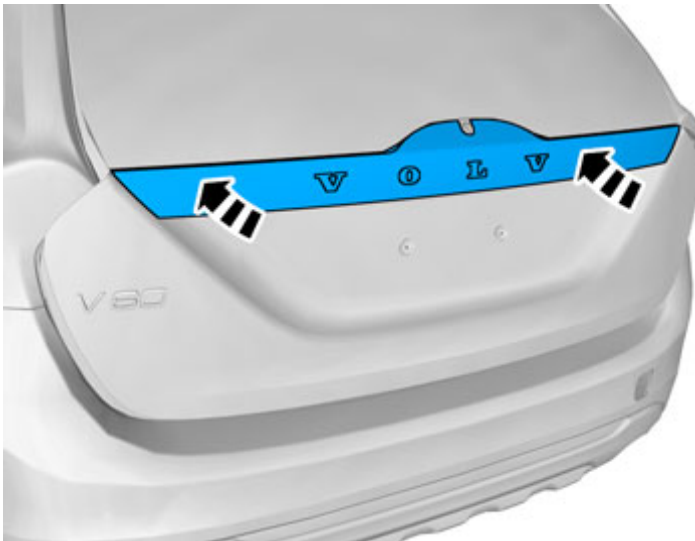
Volvo Car Corporation Gothenburg, Sweden

32



IMG-381052

33

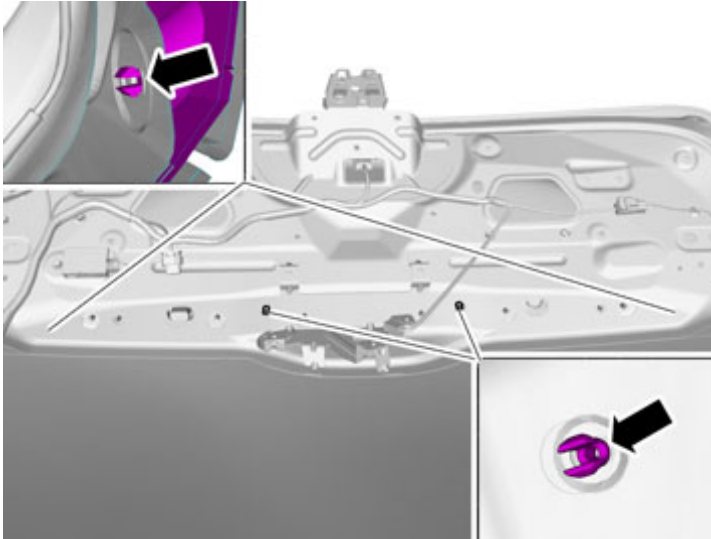


IMG-344518

Installation instructions, accessories

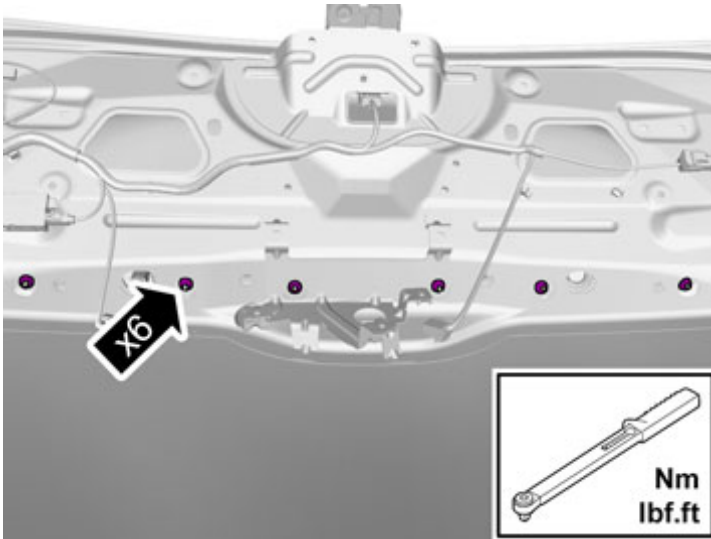
Volvo Car Corporation Gothenburg, Sweden

34



IMG-344499

35



IMG-381063

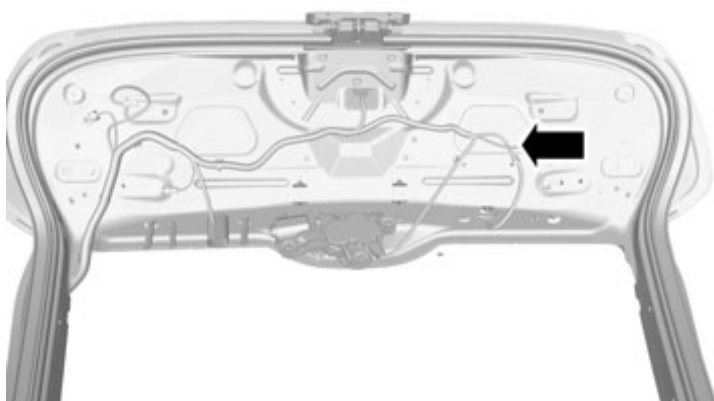
Tightening torque: Exterior handle to tailgate/luggage compartment lid , 3 Nm

Installation instructions, accessories

Volvo Car Corporation Gothenburg, Sweden

36

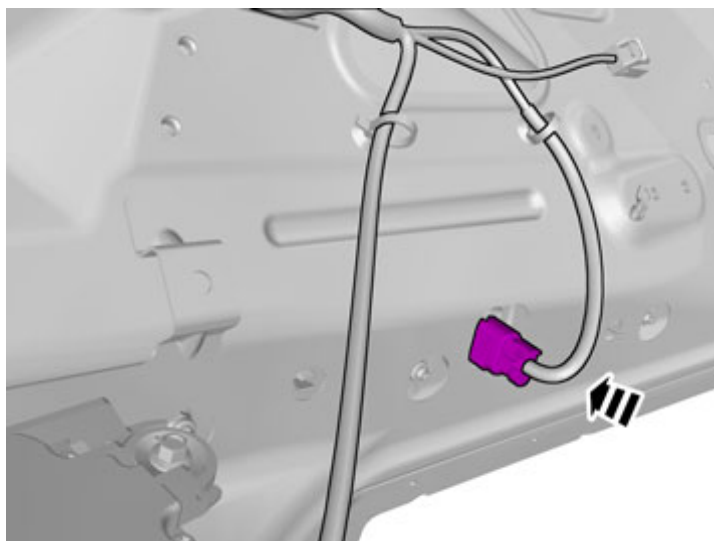
Locate the pre-routed connector.



IMG-381062

37

Connect the connector.



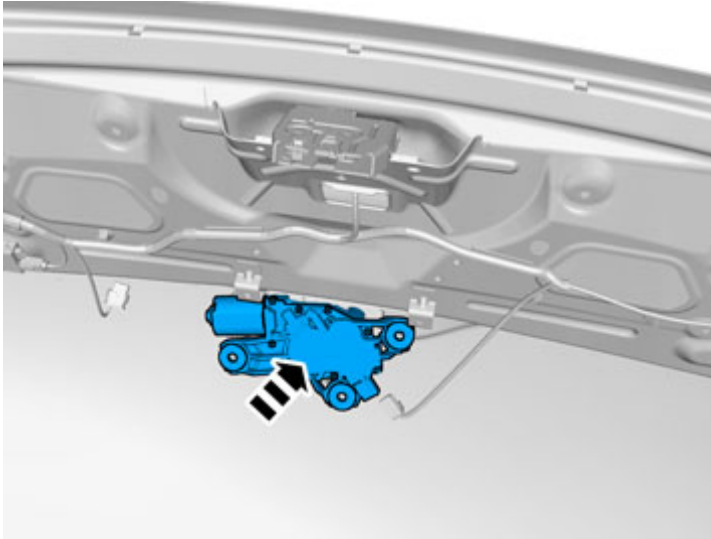
IMG-381059

Installation

Installation instructions, accessories

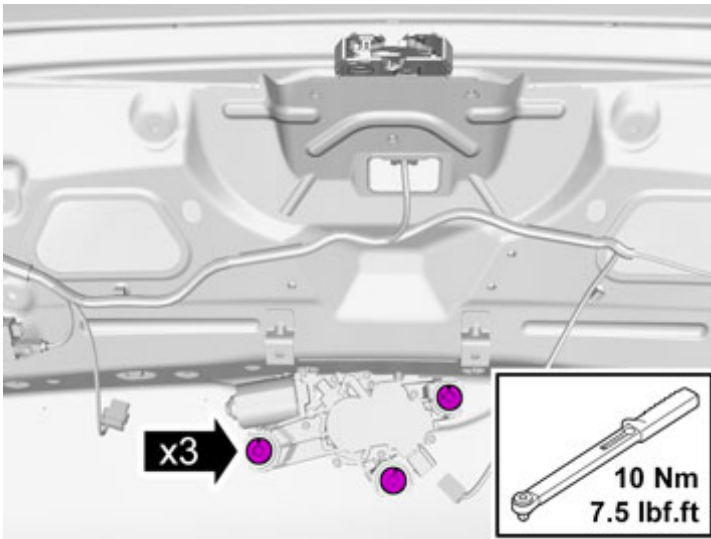
Volvo Car Corporation Gothenburg, Sweden

38



IMG-344525

39

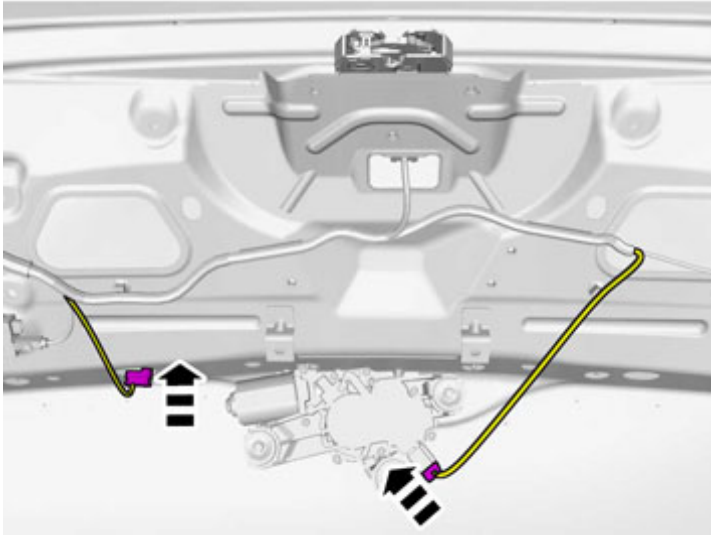


IMG-344521

Installation instructions, accessories

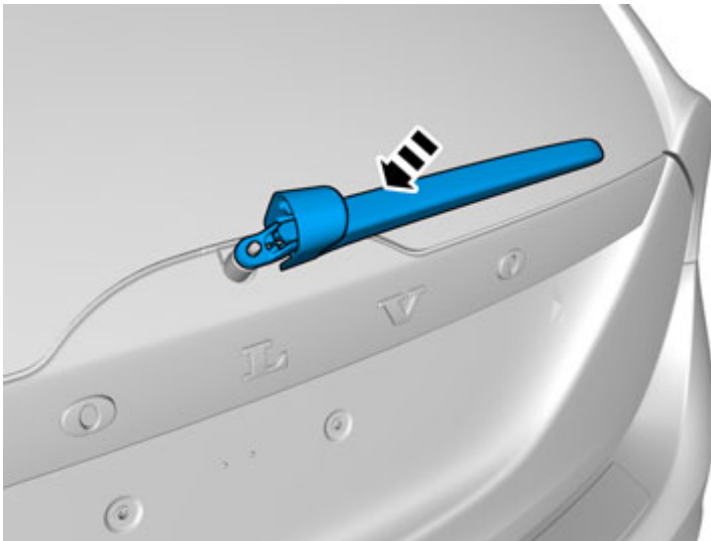
Volvo Car Corporation Gothenburg, Sweden

40



IMG-344533

41

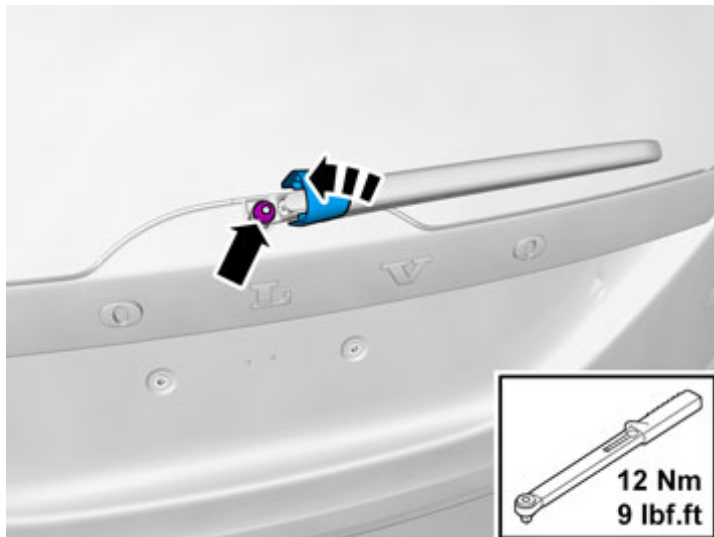


IMG-344523

Installation instructions, accessories

Volvo Car Corporation Gothenburg, Sweden

42



IMG-344524

43

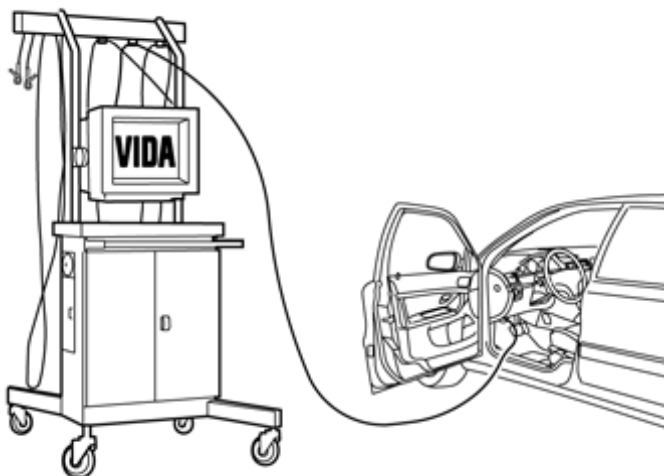
Reinstall the removed parts in reverse order.

IMG-377070

Installation instructions, accessories

Volvo Car Corporation Gothenburg, Sweden

44



IMG-242268

Download software (application) for the accessory's function according to the service information in VIDA. See VIDA or the accessories catalogue for software part number.

45

Calibrate according to: DIAGNOSTICS/VEHICLE COMMUNICATION/Advanced/PAC/Service calibration, parking camera

VIDA

IMG-275777