

Installation instructions, accessories

Volvo Car Corporation Gothenburg, Sweden

Instruction No 31359367 **Version** 1.2 **Part. No.** 31373767, 31373457, 31359354, 31373455, 31359366, 31373458

Skid plate, rear bumper

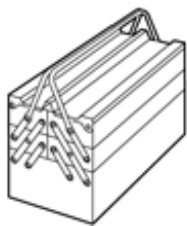


IMG-374691

Materials

Designation	Part number
Isopropanol	1161721

Equipment



IMG-345497



IMG-239660



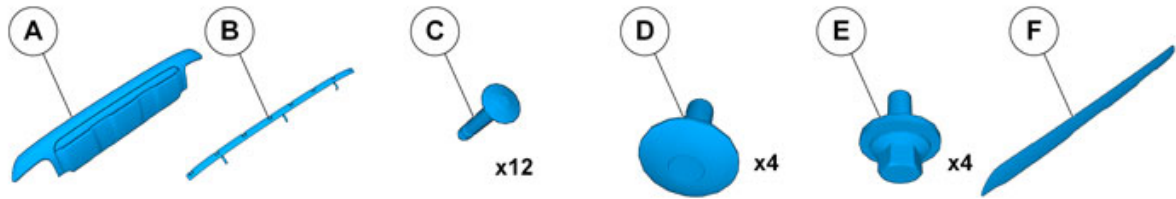
IMG-239940



IMG-239944

Installation instructions, accessories

Volvo Car Corporation Gothenburg, Sweden



IMG-375493

Installation instructions, accessories

Volvo Car Corporation Gothenburg, Sweden

Information

1

Read through all of the instructions before starting installation.

Notifications and warning texts are for your safety and to minimise the risk of something breaking during installation.

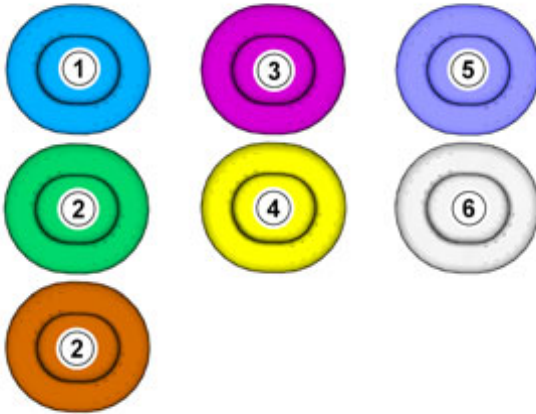
Ensure that all tools stated in the instructions are available before starting installation.

Certain steps in the instructions are only presented in the form of images. Explanatory text is also given for more complicated steps.

In the event of any problems with the instructions or the accessory, contact your local Volvo dealer.

Color symbols

2



IMG-363036

Note!

This colour chart displays (in colour print and electronic version) the importance of the different colours used in the images of the method steps.

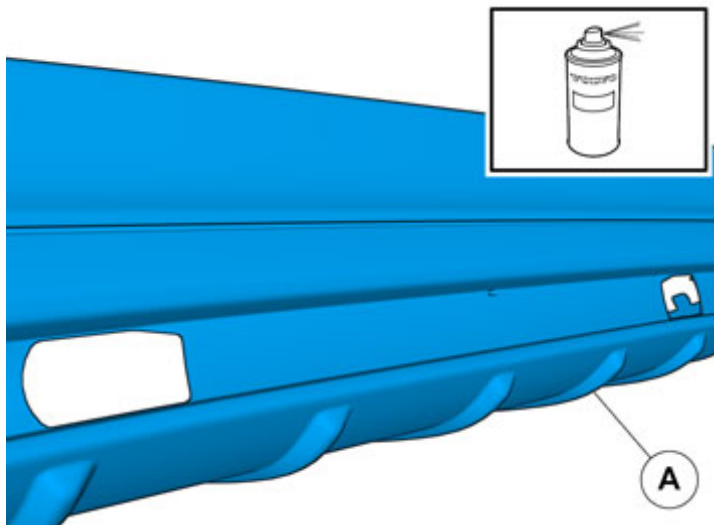
1. Used for focused component, the component with which you will do something.
 2. Used as extra colors when you need to show or differentiate additional parts.
 3. Used for attachments that are to be removed/installed. May be screws, clips, connectors, etc.
 4. Used when the component is not fully removed from the vehicle but only hung to the side.
 5. Used for standard tools and special tools.
 6. Used as background color for vehicle components.
-

Applies to unpainted component

Installation instructions, accessories

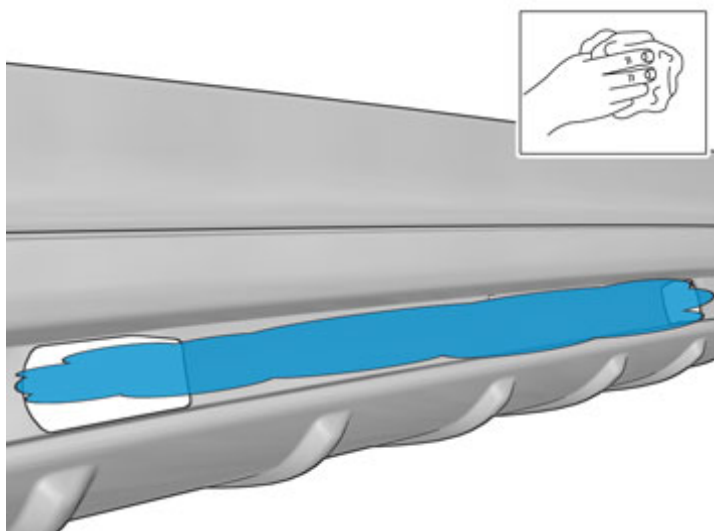
Volvo Car Corporation Gothenburg, Sweden

3



IMG-377406

4



IMG-377315

Caution!

First the paint must dry after painting.

Clean the surface.

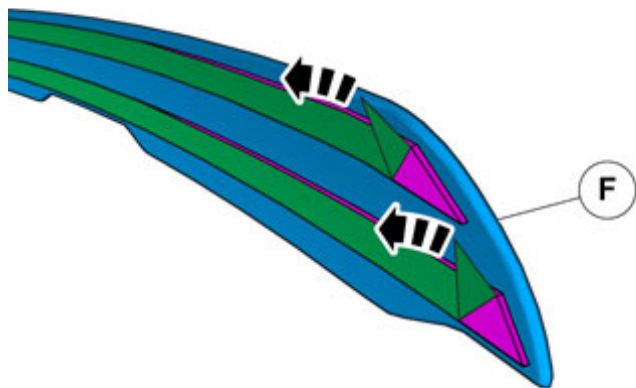
Use: 1161721, Isopropanol

Installation instructions, accessories

Volvo Car Corporation Gothenburg, Sweden

5

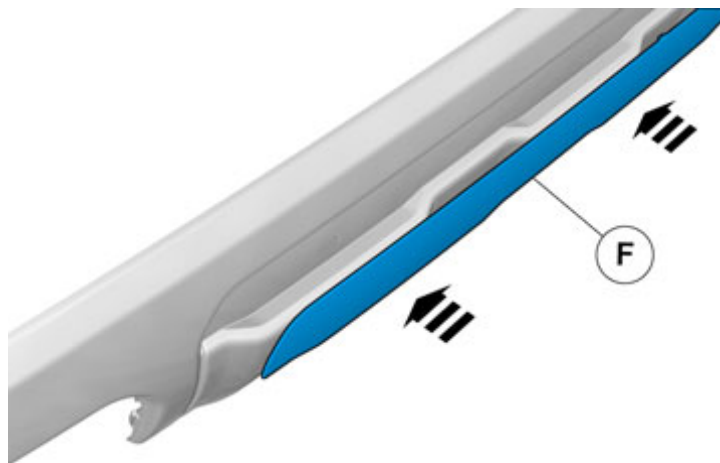
Remove the protective film.



IMG-377469

6

Install component that comes with the accessory kit.



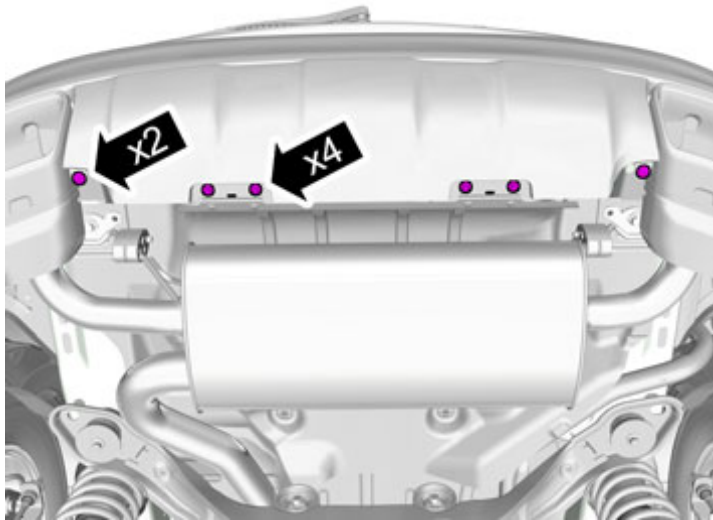
IMG-377467

Removal

Installation instructions, accessories

Volvo Car Corporation Gothenburg, Sweden

7



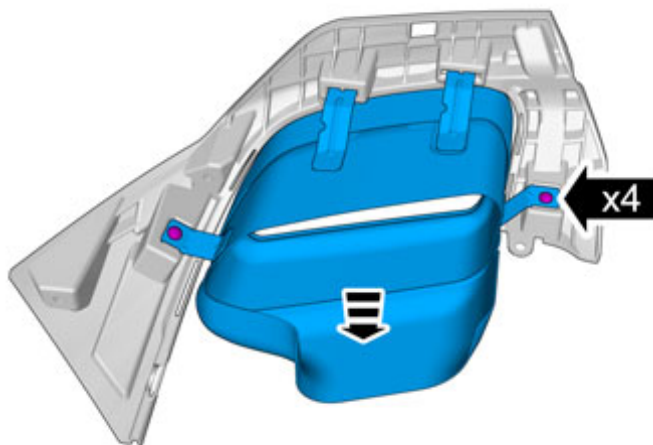
IMG-374748

Remove the clips.

Use: Drift

Remove the screws.

8



IMG-376953

Remove the screws.

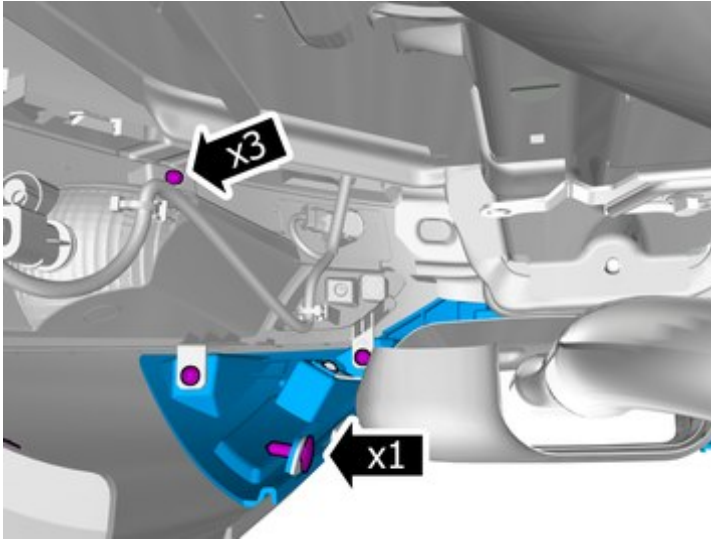
Loosen the component indicated. Do not remove it.

On both sides.

Installation instructions, accessories

Volvo Car Corporation Gothenburg, Sweden

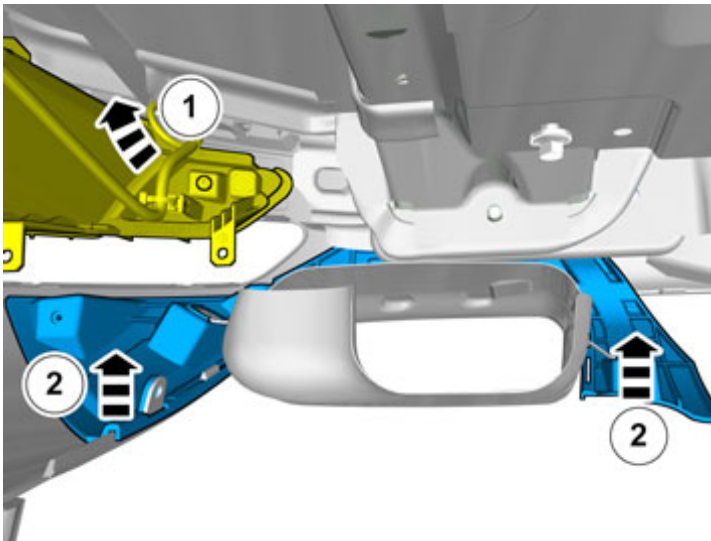
9



IMG-376937

Remove the screws.
Remove the clip.
On both sides.

10



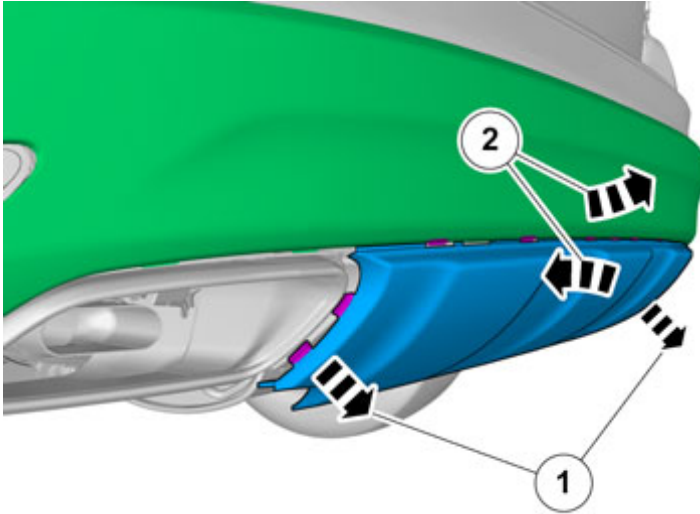
IMG-376950

Remove the part carefully
Remove the panel.
On both sides.
Use: Interior trim remover

Installation instructions, accessories

Volvo Car Corporation Gothenburg, Sweden

11



Use: Interior trim remover

IMG-376844

12



The part is not to be reused.

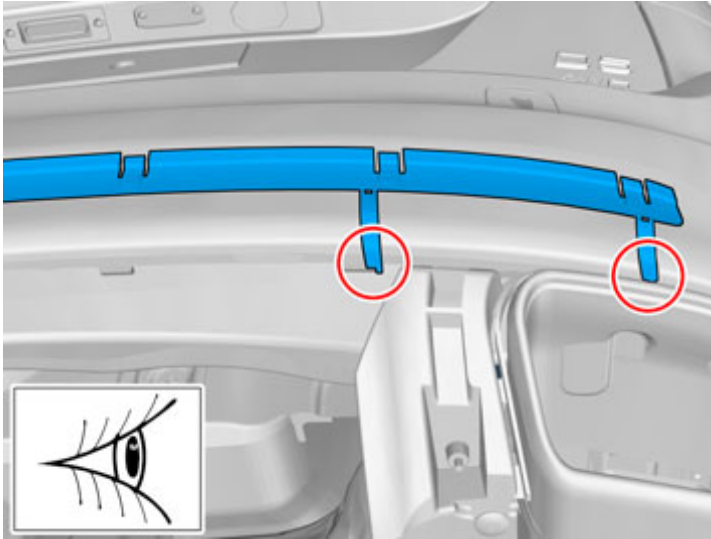
IMG-374759

Accessory installation

Installation instructions, accessories

Volvo Car Corporation Gothenburg, Sweden

13



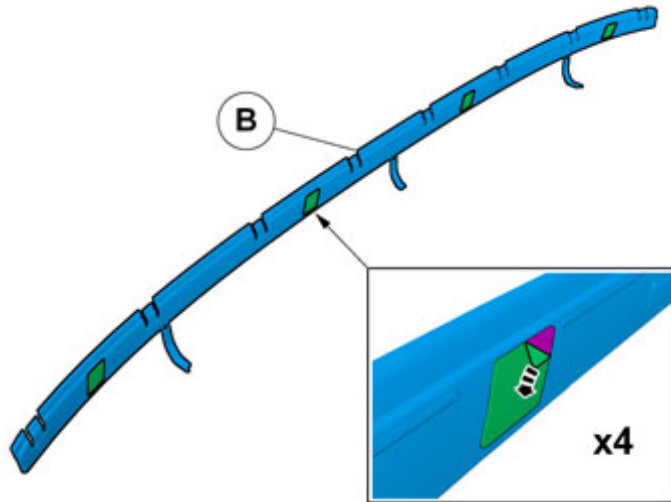
IMG-374767

Note!
Orientation view

Note the position.

On both sides.

14



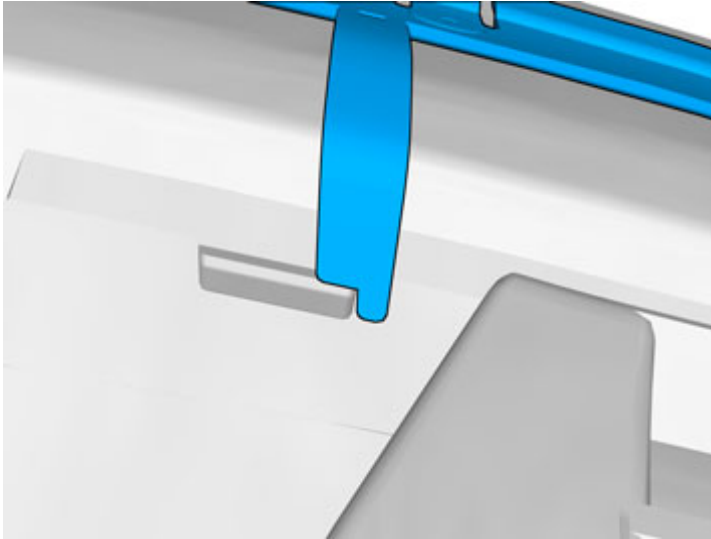
IMG-375271

Remove the protective film.

Installation instructions, accessories

Volvo Car Corporation Gothenburg, Sweden

15

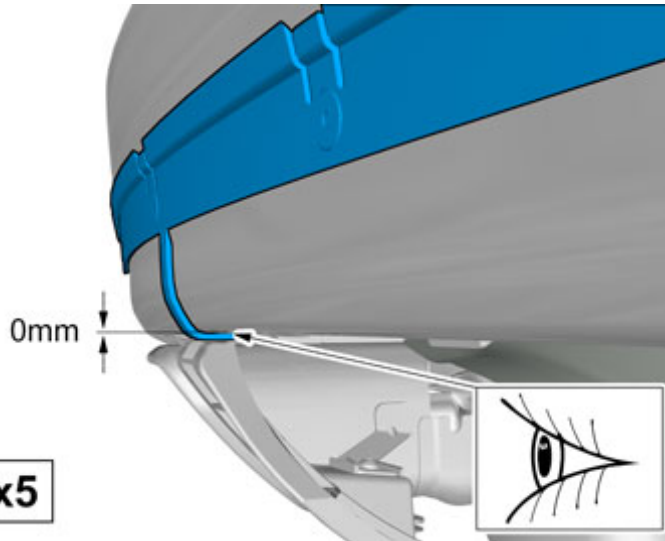


IMG-374768

Note!
Note the position.

On both sides.

16



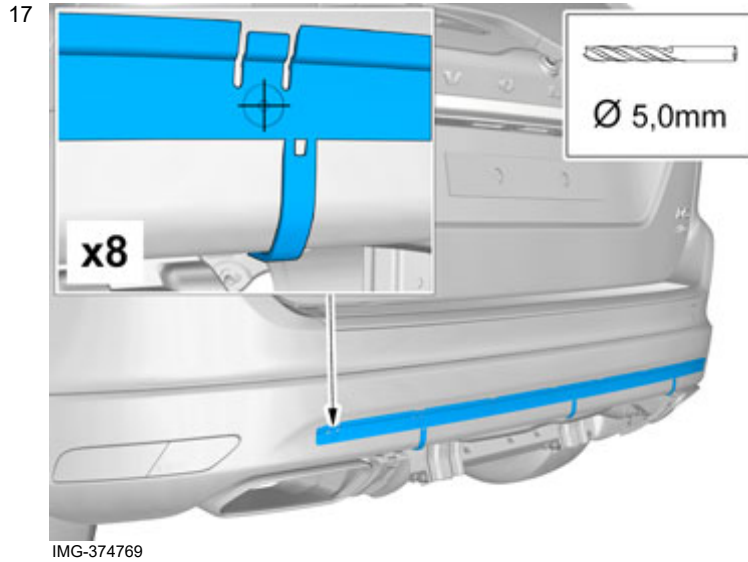
IMG-375495

Note!
Note the position.

Install the clips as illustrated.

Installation instructions, accessories

Volvo Car Corporation Gothenburg, Sweden

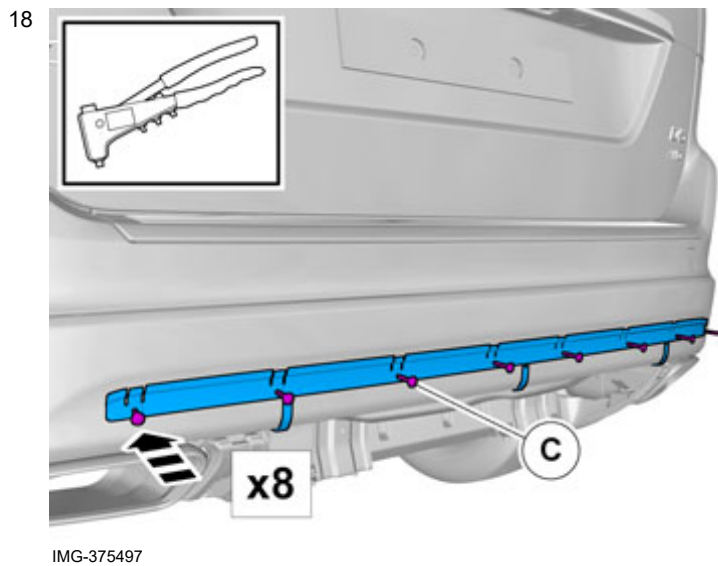


Note!

Ensure that the tape is fixed to the surface.

Locate the markings for the positions.

Drill the holes.



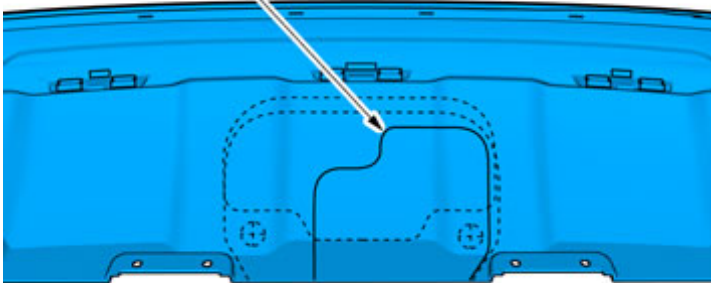
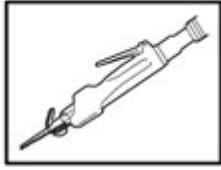
Use: Pop rivet pliers

Vehicles with fixed towbar

Installation instructions, accessories

Volvo Car Corporation Gothenburg, Sweden

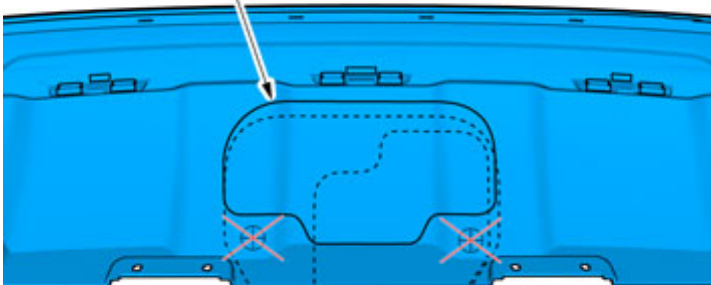
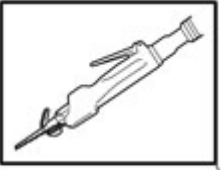
19



IMG-375518

Vehicles with detachable towbar

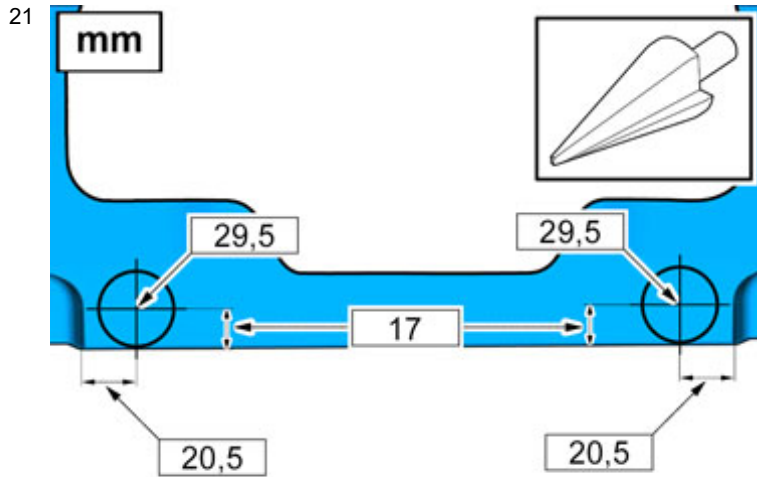
20



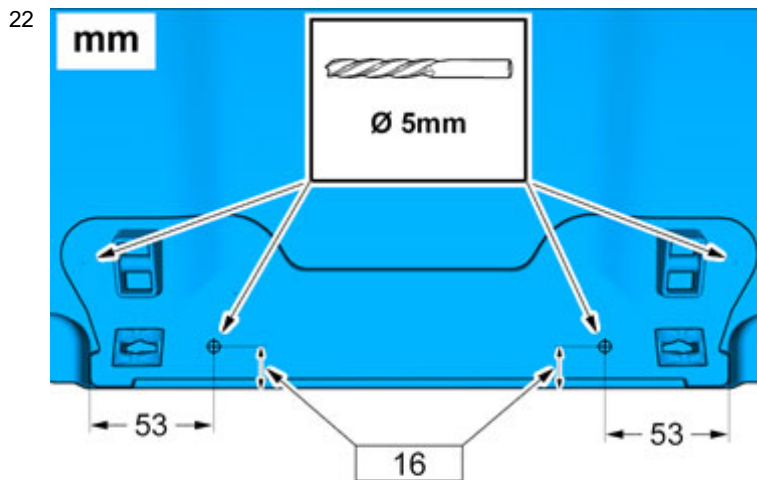
IMG-375517

Installation instructions, accessories

Volvo Car Corporation Gothenburg, Sweden



IMG-376894

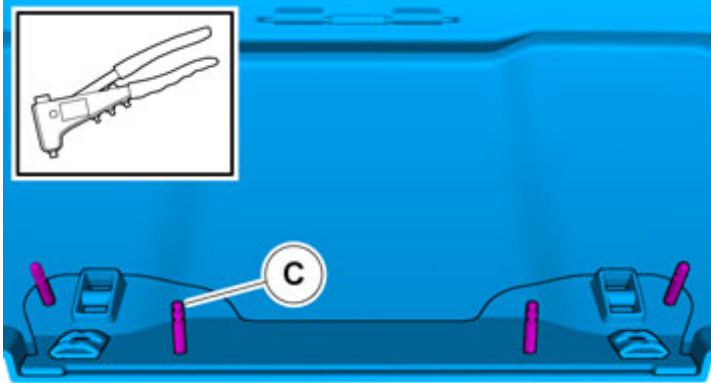


IMG-376899

Installation instructions, accessories

Volvo Car Corporation Gothenburg, Sweden

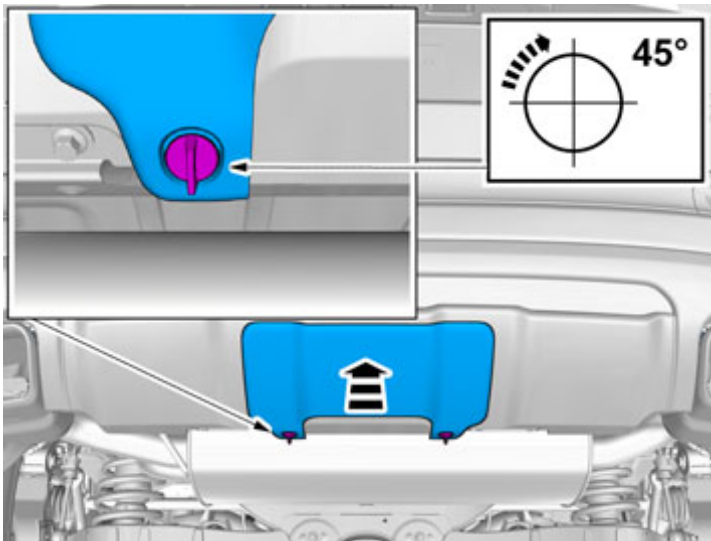
23



x4

IMG-376900

24



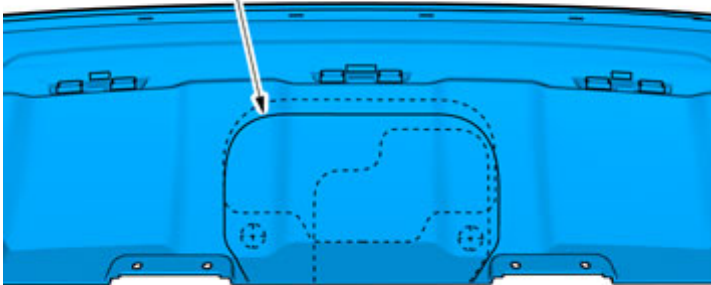
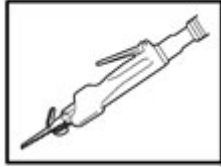
IMG-376903

Vehicles with towbar, Hitch

Installation instructions, accessories

Volvo Car Corporation Gothenburg, Sweden

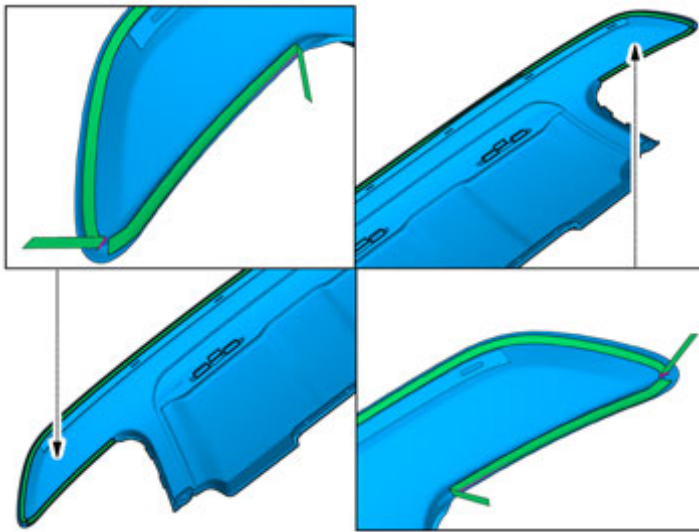
25



IMG-375516

All vehicles

26



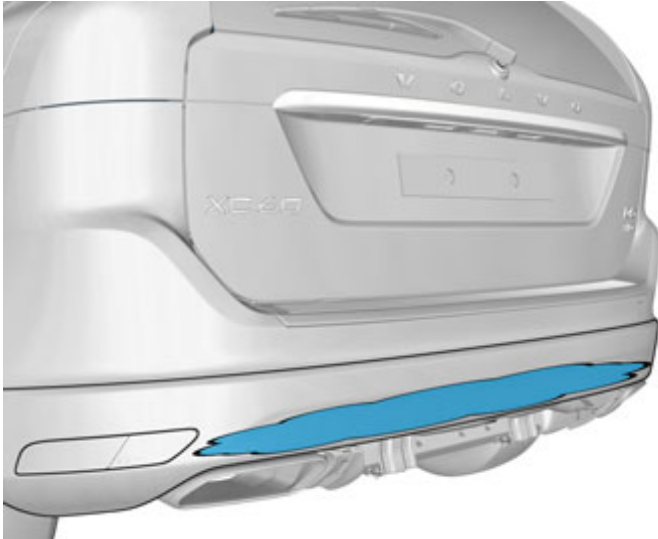
IMG-376845

Fold the protective film forward

Installation instructions, accessories

Volvo Car Corporation Gothenburg, Sweden

27

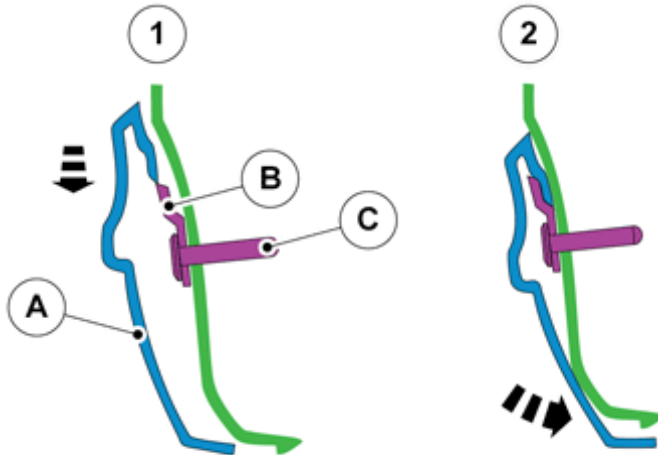


IMG-376961

Clean the surface.

Use: 1161721, Isopropanol

28

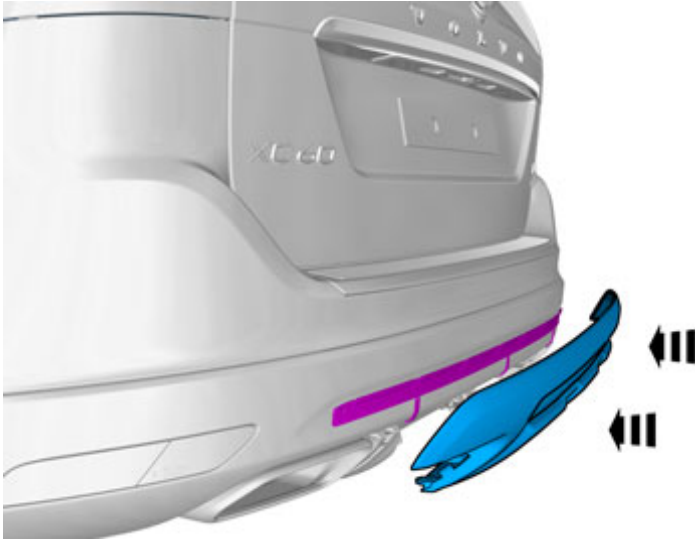


IMG-374899

Installation instructions, accessories

Volvo Car Corporation Gothenburg, Sweden

29



IMG-374898

30



IMG-376850

Remove the protective film.

Hint

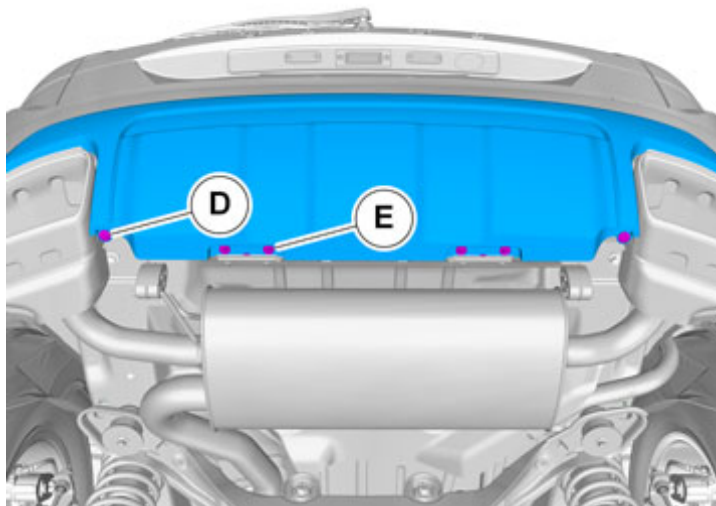
Press and apply pressure to the part over the tape for at least 20 seconds.

Installation instructions, accessories

Volvo Car Corporation Gothenburg, Sweden

31

Install component that comes with the accessory kit.



IMG-376865

Installation

32

Reinstall the removed parts in reverse order.