



Installation instructions, accessories

Volvo Car Corporation Gothenburg, Sweden

Instruction No
30756880

Version
1.3

Part. No.
31269619, 31339868

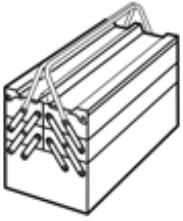
Load compartment divider, longitudinal



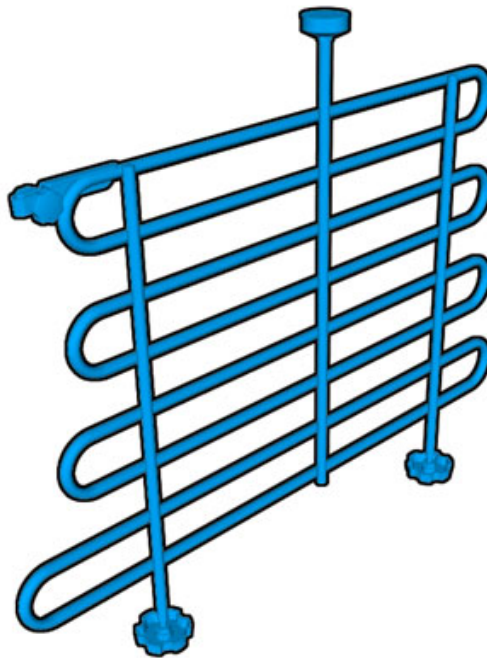
Installation instructions, accessories

Volvo Car Corporation Gothenburg, Sweden

Equipment



A0000162



IMG-342791



Installation instructions, accessories

Volvo Car Corporation Gothenburg, Sweden

INTRODUCTION

Read through all of the instructions before starting installation.

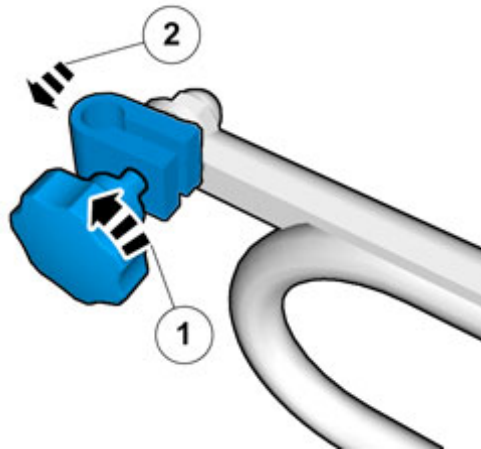
Notifications and warning texts are for your safety and to minimise the risk of something breaking during installation.

Ensure that all tools stated in the instructions are available before starting installation.

Certain steps in the instructions are only presented in the form of images. Explanatory text is also given for more complicated steps.

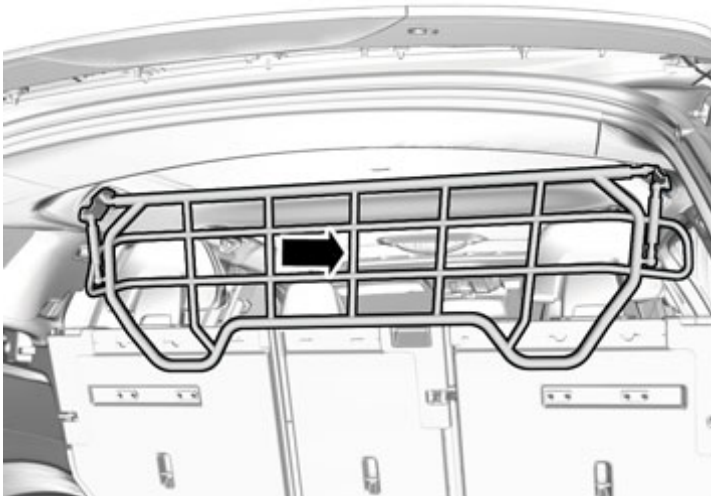
In the event of any problems with the instructions or the accessory, contact your local Volvo dealer.

1



IMG-342792

2



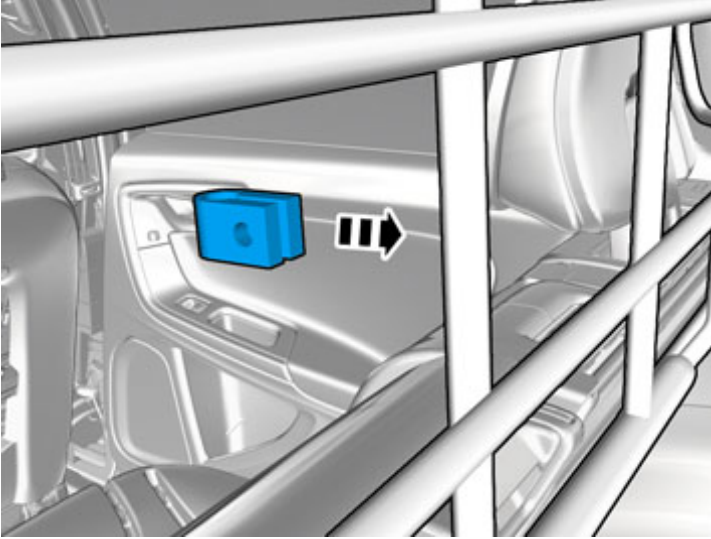
IMG-342793



Installation instructions, accessories

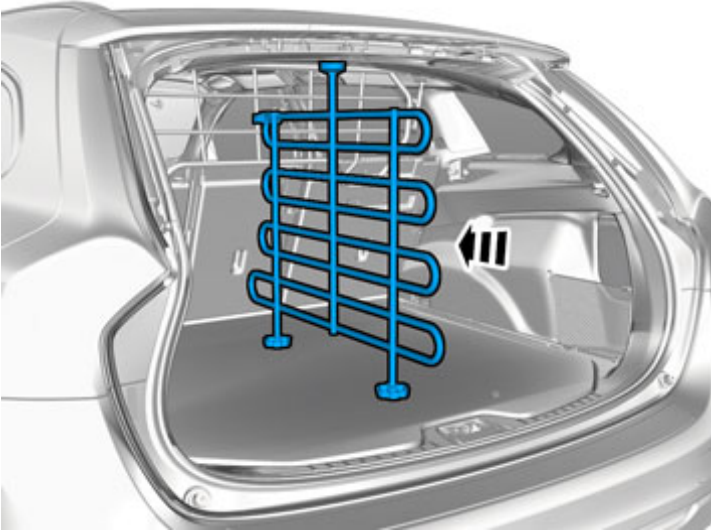
Volvo Car Corporation Gothenburg, Sweden

3



IMG-342794

4



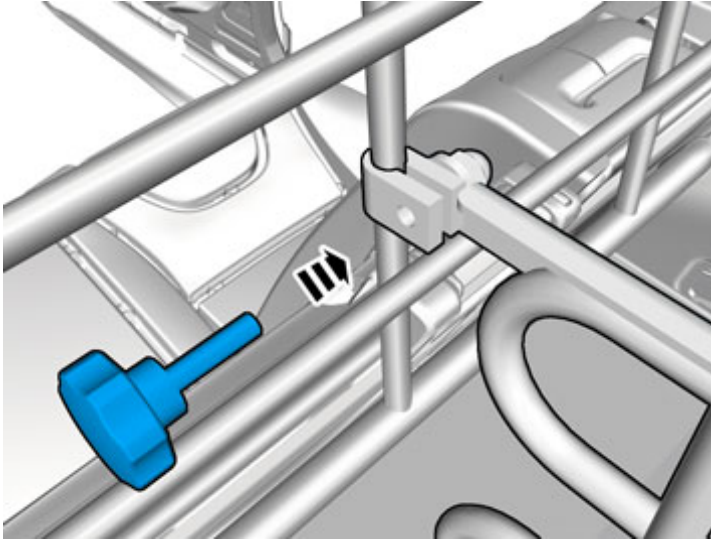
IMG-342795



Installation instructions, accessories

Volvo Car Corporation Gothenburg, Sweden

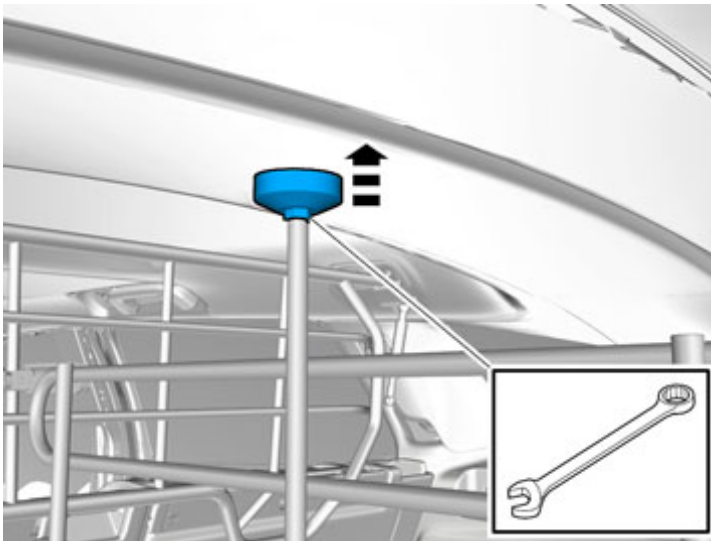
5



IMG-342796

Only finger tighten the screw at this stage.

6



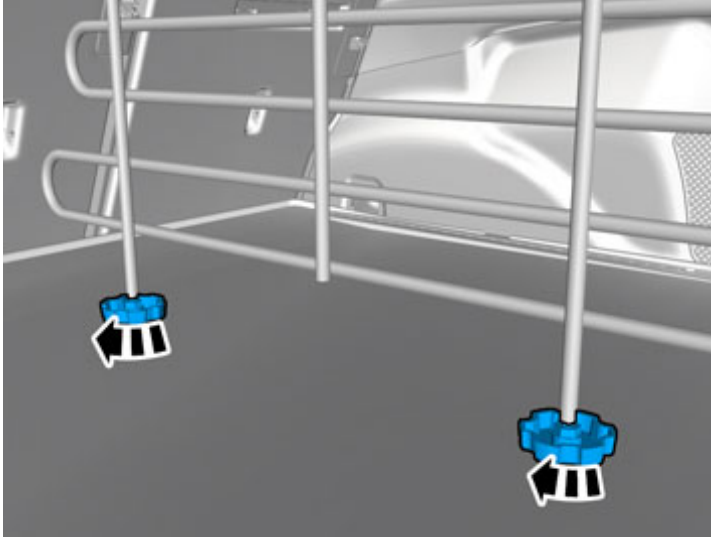
IMG-342797



Installation instructions, accessories

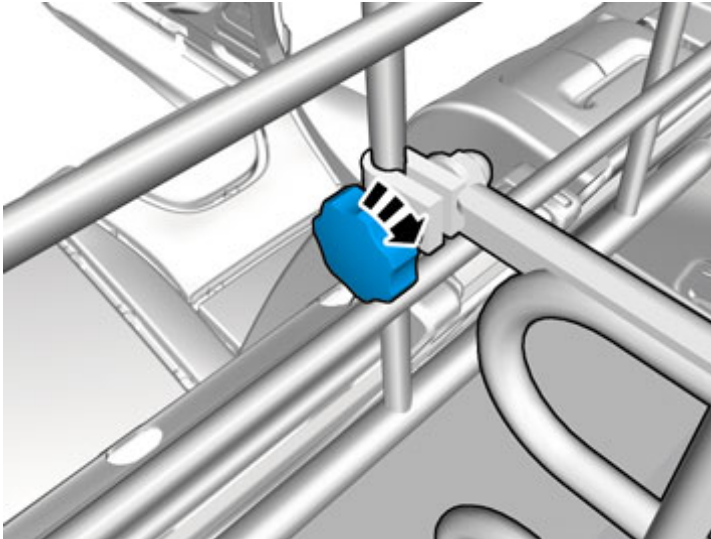
Volvo Car Corporation Gothenburg, Sweden

7



IMG-342798

8



IMG-342799

Tighten the screw.