



Installation instructions, accessories

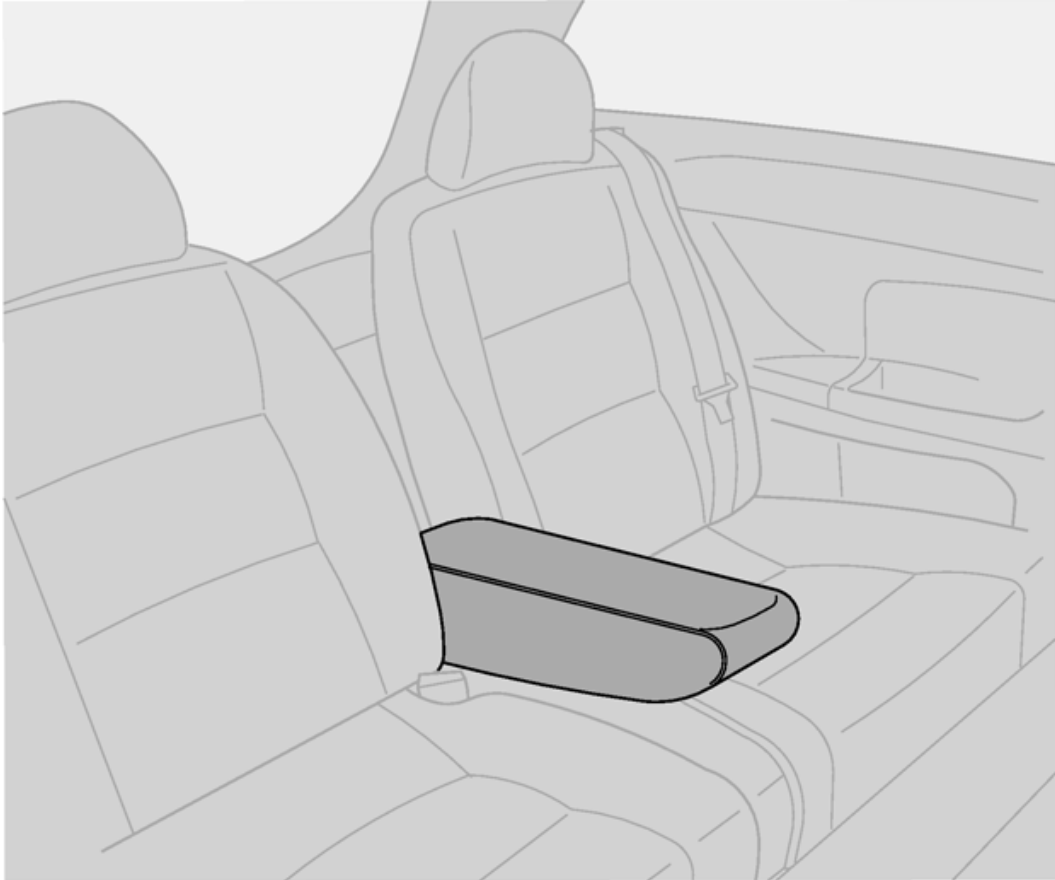
Volvo Car Corporation Gothenburg, Sweden

Instruction No
30790173

Version
1.2

Part. No.
31285189

Armrest, rear seat



IMG-252783



Installation instructions, accessories

Volvo Car Corporation Gothenburg, Sweden

Equipment

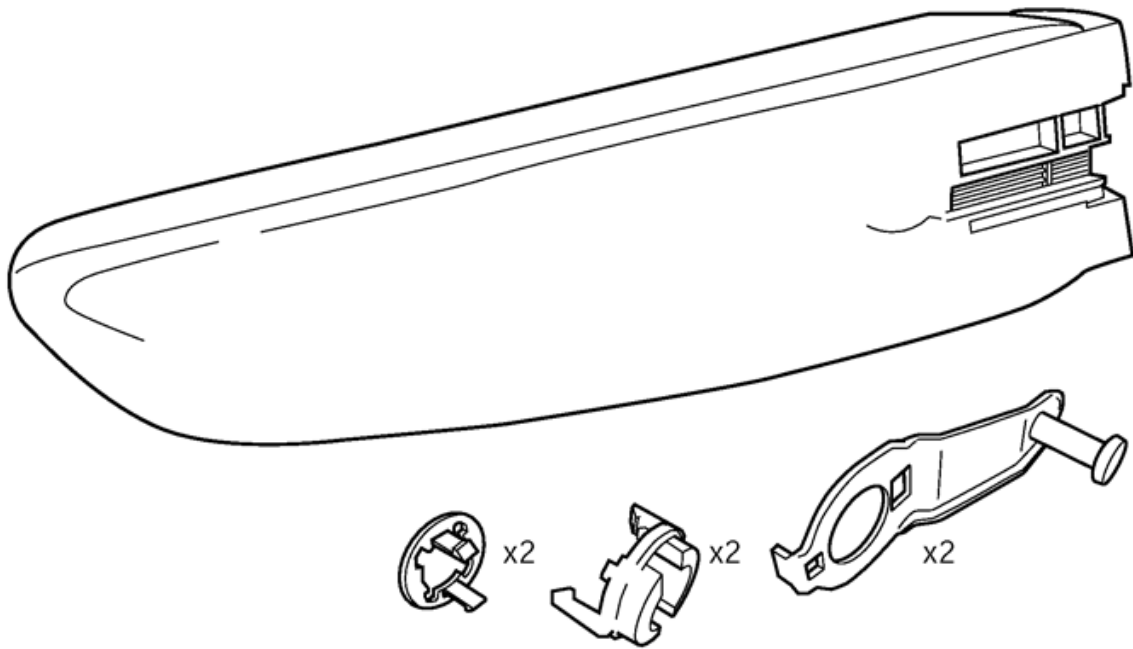


A0000162



IMG-239664

Nm
lbf.ft



IMG-252785



Installation instructions, accessories

Volvo Car Corporation Gothenburg, Sweden

Any comments on this publication? Please contact your nearest retailer. Thank You!

Publ.no:	Issue:	Kit no:
Comments:.....		
.....		
.....		
.....		

From:	
Address:	
Telephone:	
Telefax:	

IMG-213320



Installation instructions, accessories

Volvo Car Corporation Gothenburg, Sweden

INTRODUCTION

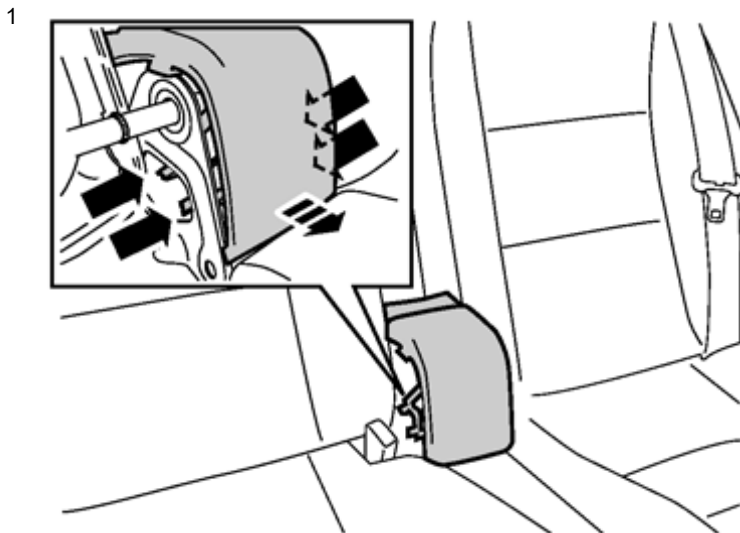
Read through all of the instructions before starting installation.

Notifications and warning texts are for your safety and to minimise the risk of something breaking during installation.

Ensure that all tools stated in the instructions are available before starting installation.

Certain steps in the instructions are only presented in the form of images. Explanatory text is also given for more complicated steps.

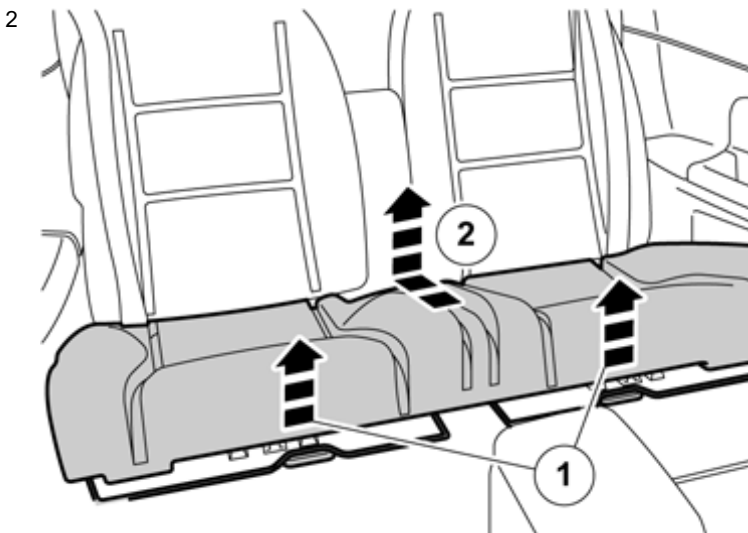
In the event of any problems with the instructions or the accessory, contact your local Volvo dealer.



IMG-252803

Remove the panel between the backrests in the rear seat by inserting your hands between the padding and brackets, pressing the four catches and then pulling out the panel.

Place the panel to one side, it shall not be used again.



IMG-250925

Pull off the seat cushion, first at the rear edge where it is secured by one holder. Then at the front edge where it is secured by two holders.

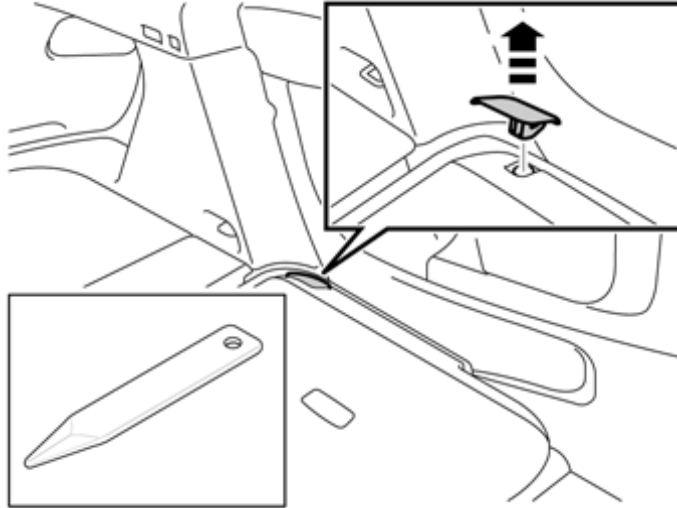
Remove the seat cushion.



Installation instructions, accessories

Volvo Car Corporation Gothenburg, Sweden

3

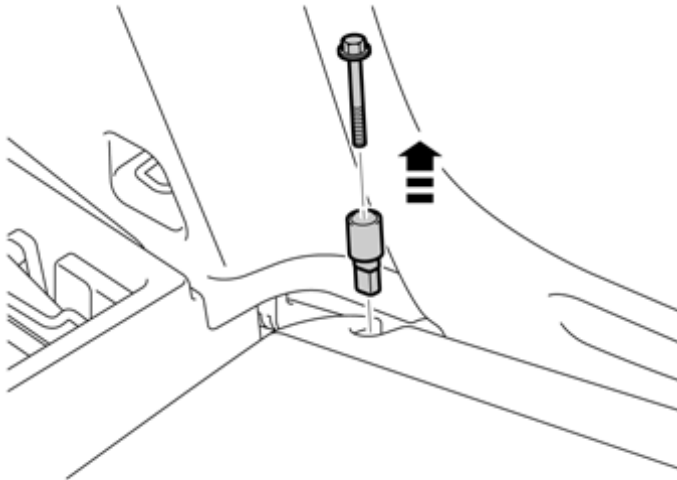


IMG-241186

Fold the backrest forward.

Remove the panel for the backrest's left-hand mounting.

4



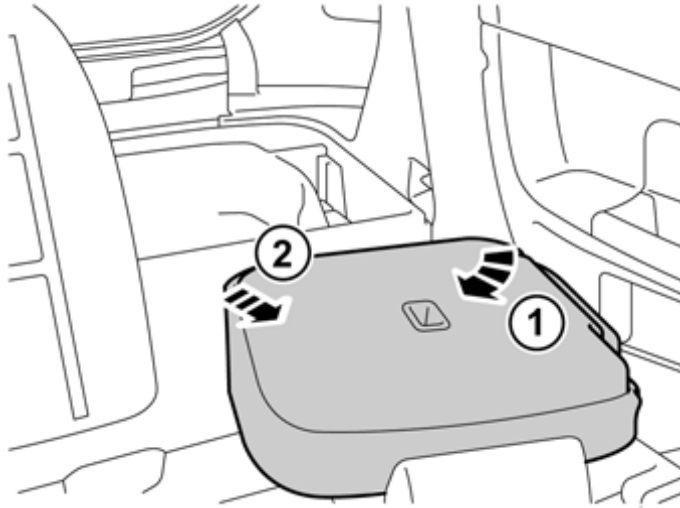
IMG-241187



Installation instructions, accessories

Volvo Car Corporation Gothenburg, Sweden

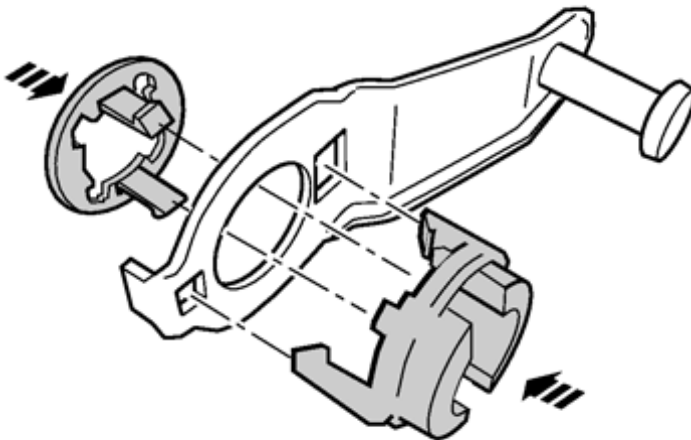
5



IMG-241188

Fold the backrest away from the left-hand mounting.
Pull it out from the mounting towards the right-hand side.

6



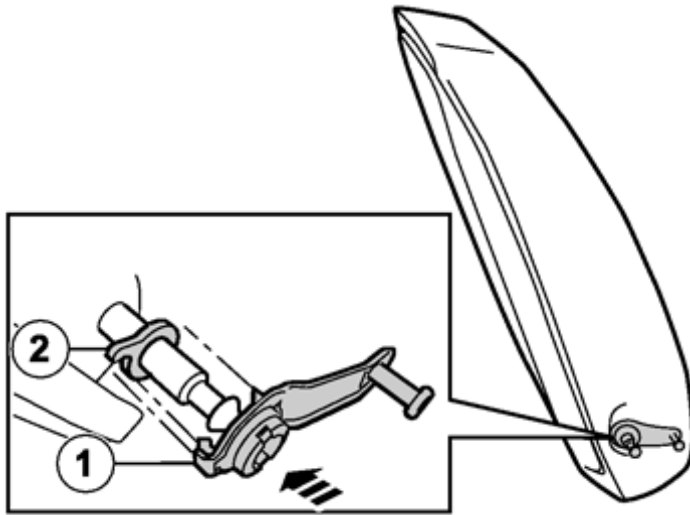
IMG-252804



Installation instructions, accessories

Volvo Car Corporation Gothenburg, Sweden

7

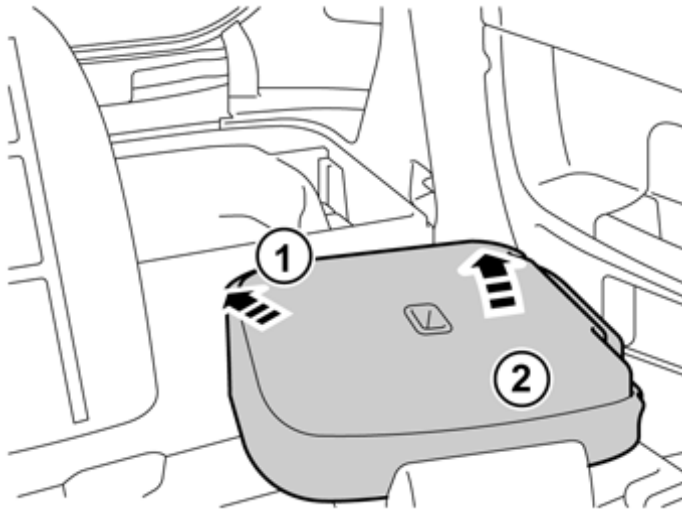


IMG-252805

Install the new bearing on the backrest's shaft journal. Ensure that the control arm's lug (1) locates in the underneath of the shaft journal's hook (2).

Press the control arm on the shaft journal until the hooks engage.

8



IMG-241371

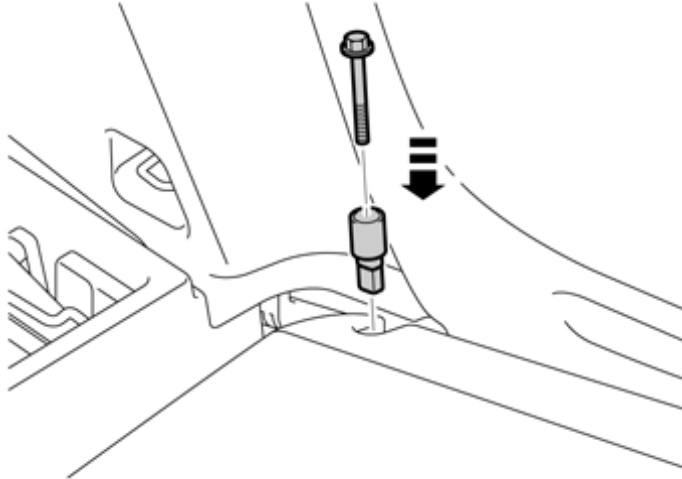
Reinstall the backrest. Check that it is securely in its mountings.



Installation instructions, accessories

Volvo Car Corporation Gothenburg, Sweden

9

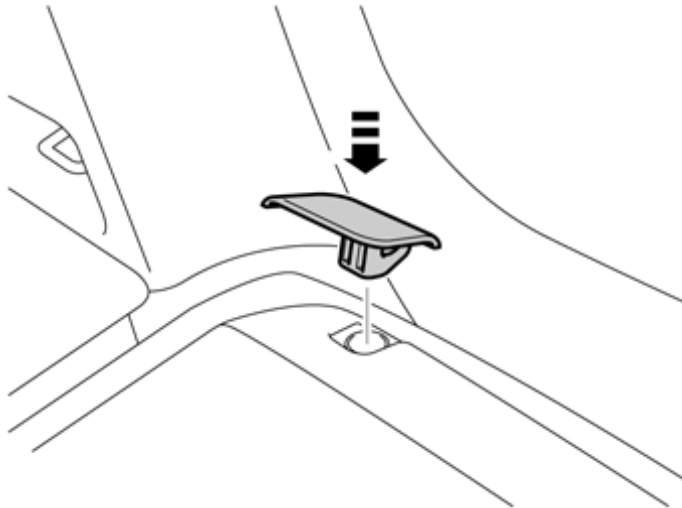


IMG-241374

Secure the backrest in the left-hand mounting with the screw and lock pin.

Tighten the backrest and check that it is securely in its mountings. Torque tighten the screw to 15 Nm (11 lbf.ft.).

10



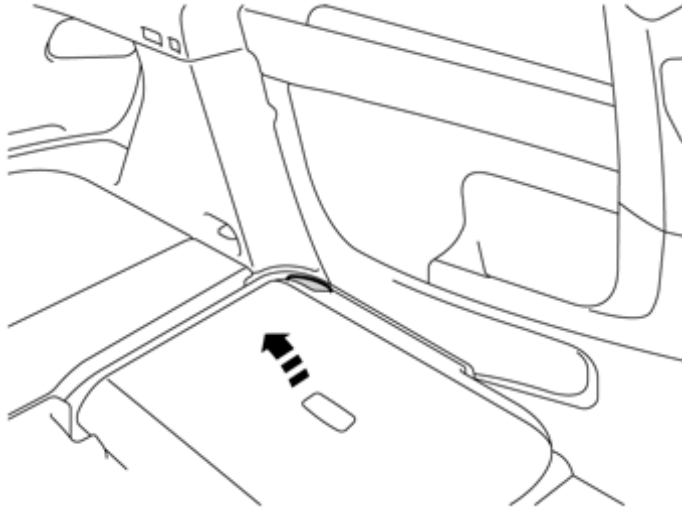
IMG-241375



Installation instructions, accessories

Volvo Car Corporation Gothenburg, Sweden

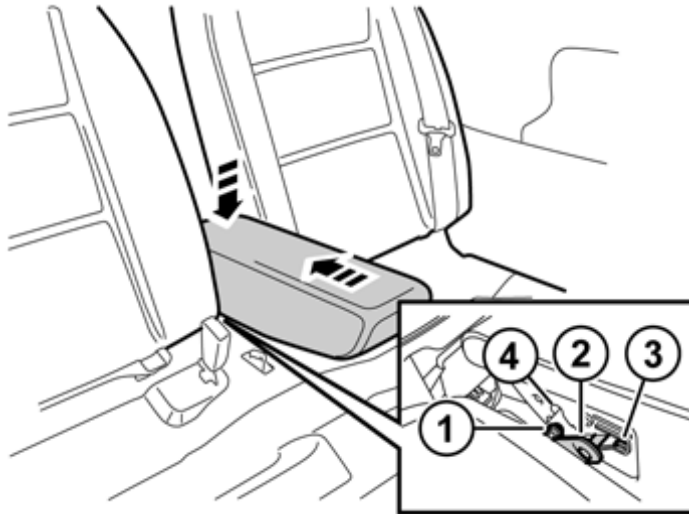
11



IMG-241376

Repeat points 3-11 for the other backrest.

12



IMG-246644

Install the central armrest by grasping each end, moving it up towards the backrest lugs (1) and aligning the holders (2) in the backrest's sides in the central armrest's cut-out (3).

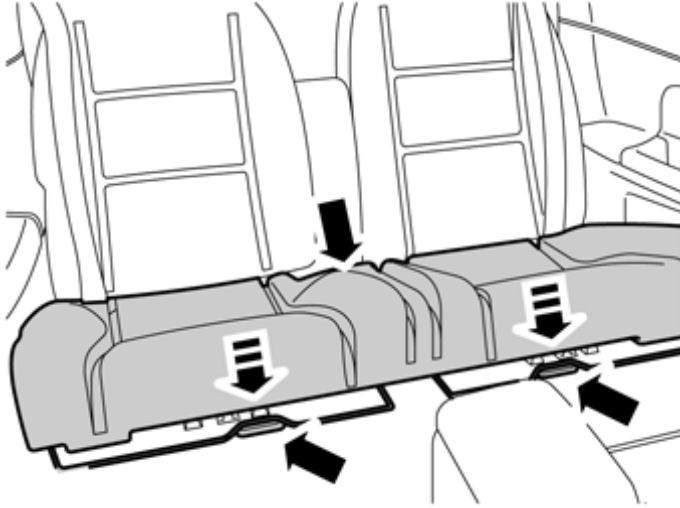
Then press the central armrest down at the rear edge so that the lugs (1) engage in the cut-out (4). A click should be heard when the central armrest is secured.



Installation instructions, accessories

Volvo Car Corporation Gothenburg, Sweden

13



IMG-241377