

Installation instructions, accessories

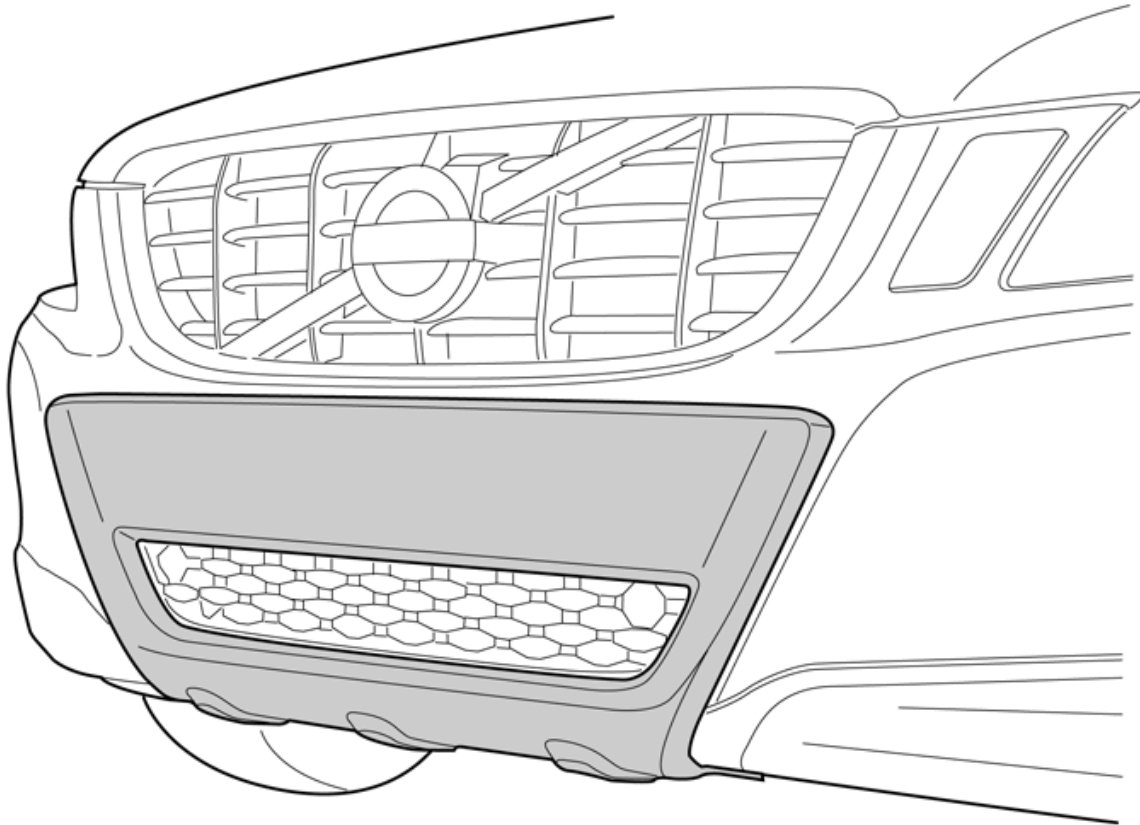
Volvo Car Corporation Gothenburg, Sweden

Instruction No
30796999

Version
1.2

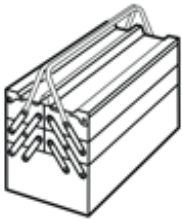
Part. No.
30764992

Bumper bars



IMG-271923

Equipment



A0000162



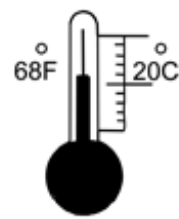
IMG-239660



IMG-239940



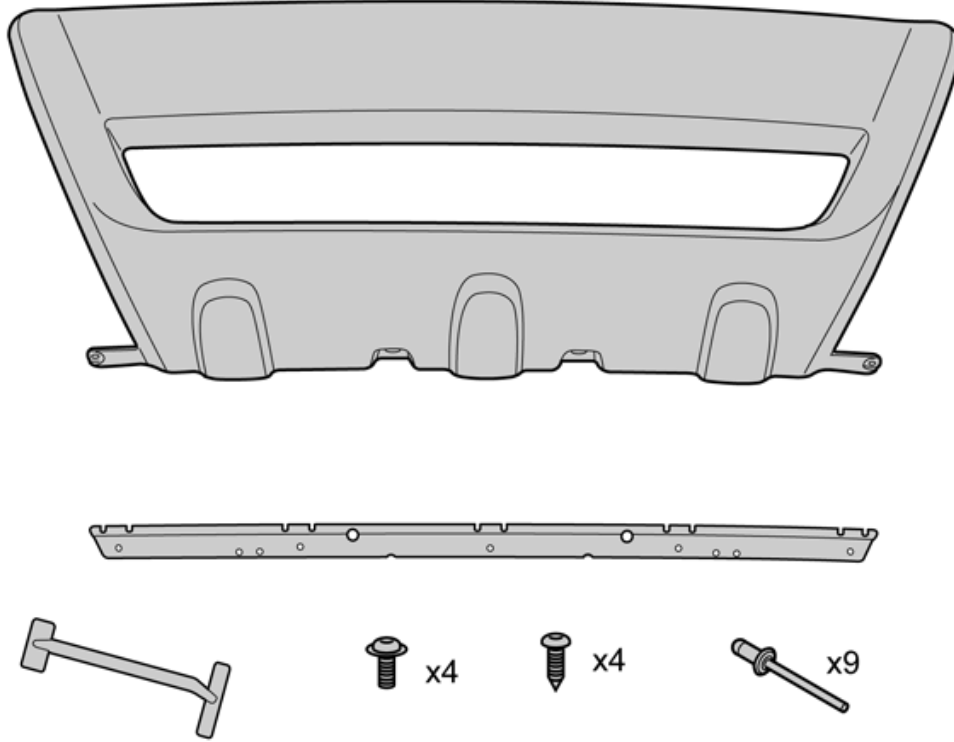
IMG-239681



M0000232

Installation instructions, accessories

Volvo Car Corporation Gothenburg, Sweden



IMG-271763

Installation instructions, accessories

Volvo Car Corporation Gothenburg, Sweden

Any comments on this publication? Please contact your nearest retailer. Thank You!

Publ.no:	Issue:	Kit no:
Comments:.....		
.....		
.....		
.....		

From:	
Address:	
Telephone:	
Telefax:	

IMG-213320

Installation instructions, accessories

Volvo Car Corporation Gothenburg, Sweden

INTRODUCTION

Read through all of the instructions before starting installation.

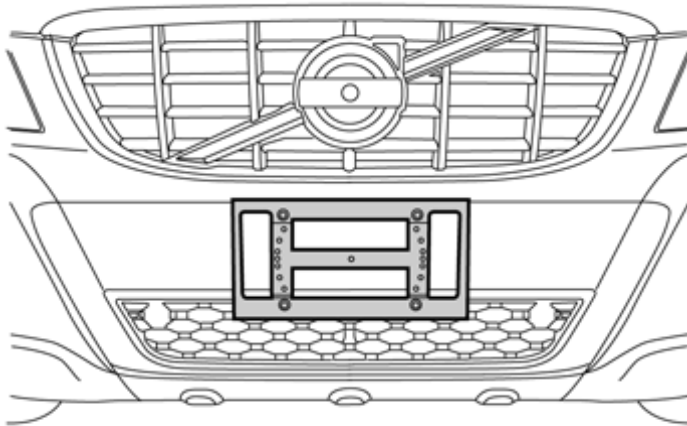
Notifications and warning texts are for your safety and to minimise the risk of something breaking during installation.

Ensure that all tools stated in the instructions are available before starting installation.

Certain steps in the instructions are only presented in the form of images. Explanatory text is also given for more complicated steps.

In the event of any problems with the instructions or the accessory, contact your local Volvo dealer.

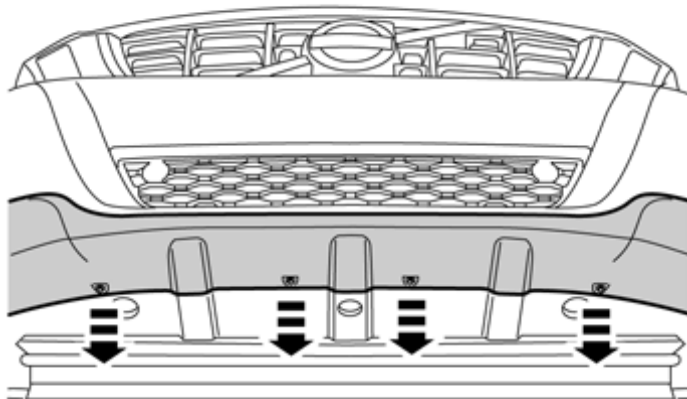
1



Remove the number plate cradle.

IMG-271765

2



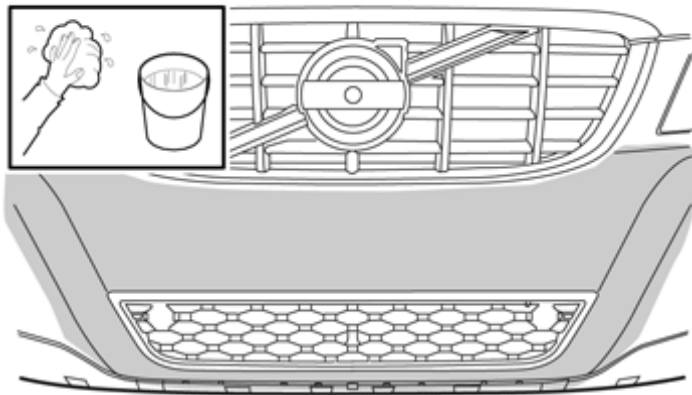
Remove the four screws.

IMG-271766

Installation instructions, accessories

Volvo Car Corporation Gothenburg, Sweden

3

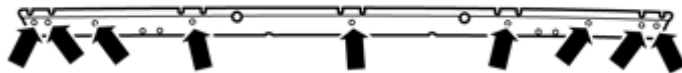


Wash the front of the car.

Wipe dry.

IMG-286403

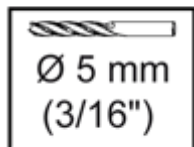
4



Take the cradle from the kit.

Drill nine holes using a $\text{\O}5$ mm (3/16") drill bit, in the centre of the drill markings (the countersunk holes) on the cradle.

Remove any swarf. Clean the edges of the holes.

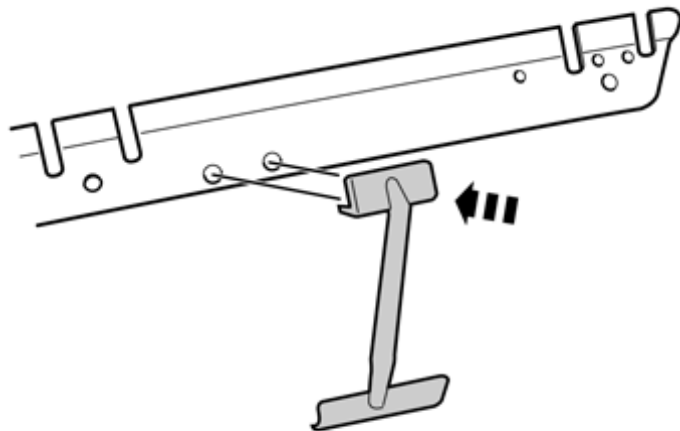


IMG-286405

Installation instructions, accessories

Volvo Car Corporation Gothenburg, Sweden

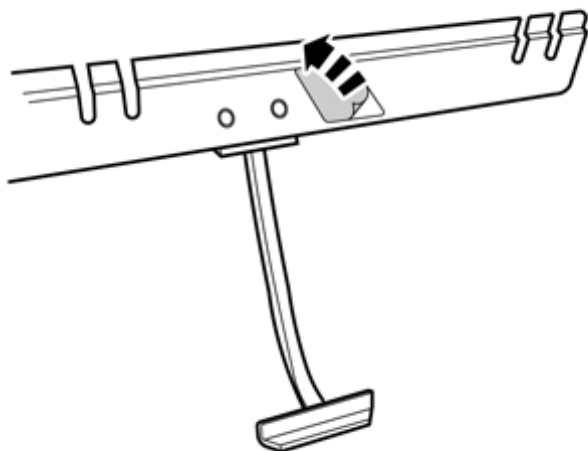
5



Take the two fixtures from the kit. Press them into the two holes in each end of the cradle, on the opposite side of the pieces of tape.

IMG-271767

6



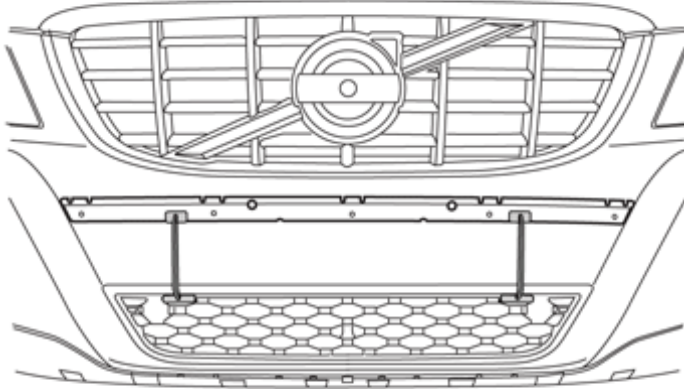
Remove the protective tape from the pieces of tape.

IMG-271770

Installation instructions, accessories

Volvo Car Corporation Gothenburg, Sweden

7A



Illustrations A and B

Position the cradle with the fixtures as illustrated. The fixtures must be secured at the upper edge of the upper hole on the lower grille.

Note!

Do not tighten the cradle yet.

Loosely secure the cradle on both sides. Ensure that the edge of the cradle is in line with the line in the bumper cover on both sides.

Note!

It is important that the cradle is properly in the hole against the upper edge of the grille so that positioning is correct.

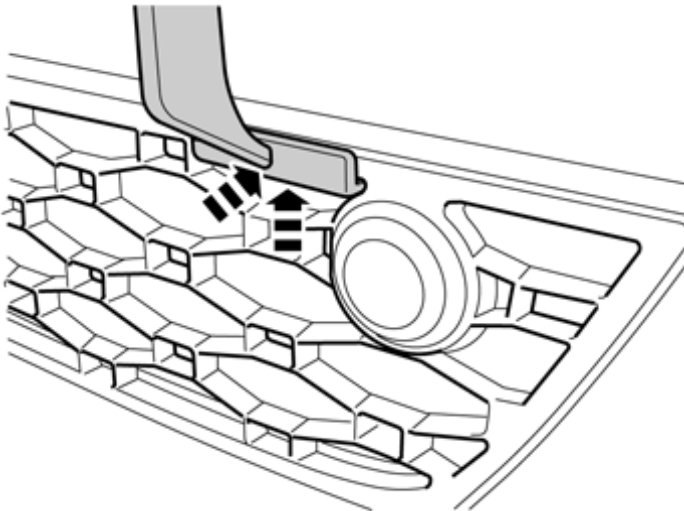
Press the entire cradle securely.

Note!

It is important that the cradle is secured along its entire length, so that no bulges occur when attaching.

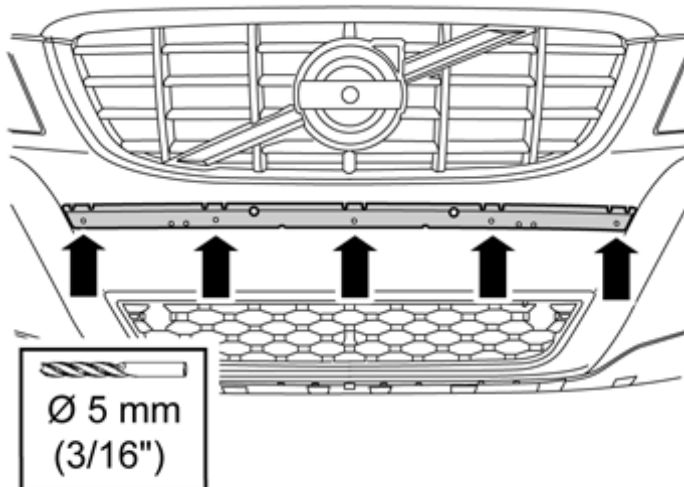
IMG-291944

7B



IMG-291945

8



Take the $\text{Ø}5$ mm ($3/16$ ") drill bit. Drill through the pre-drilled holes on the cradle and through the bumper cover. Drill 10-15 mm ($23/64$ - $19/32$ ") into the bumper cover to make room for the pop rivets.

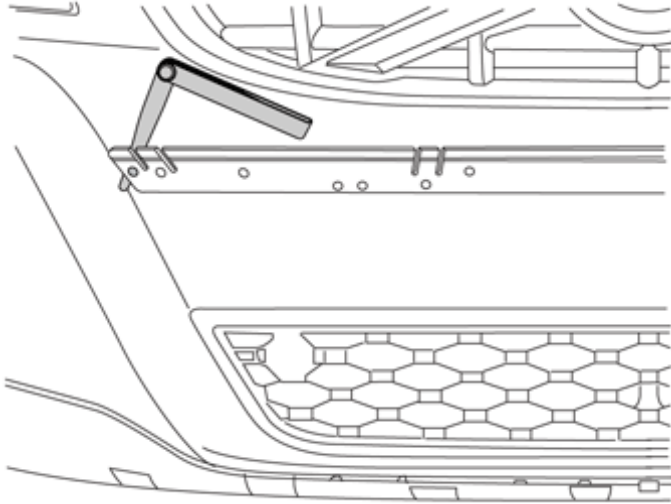
Remove the fixtures.

IMG-271773

Installation instructions, accessories

Volvo Car Corporation Gothenburg, Sweden

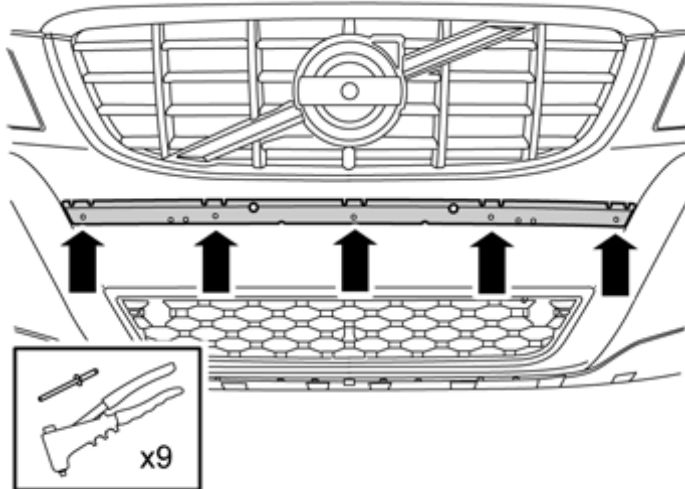
9



Take a feeler gauge and insert it behind the cradle at all drilled holes and remove all swarf.

IMG-291344

10



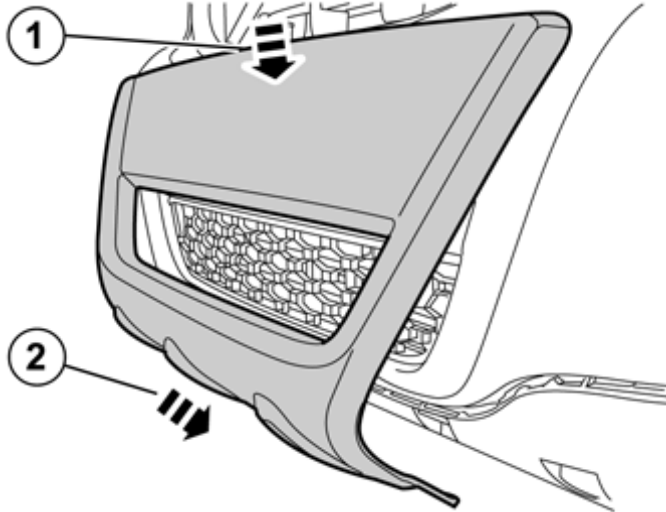
Pop rivet the cradle by starting to rivet from the centremost hole out towards the outermost, so that the cradle is securely attached all the way against the bumper cover.

IMG-271774

Installation instructions, accessories

Volvo Car Corporation Gothenburg, Sweden

11



IMG-271775

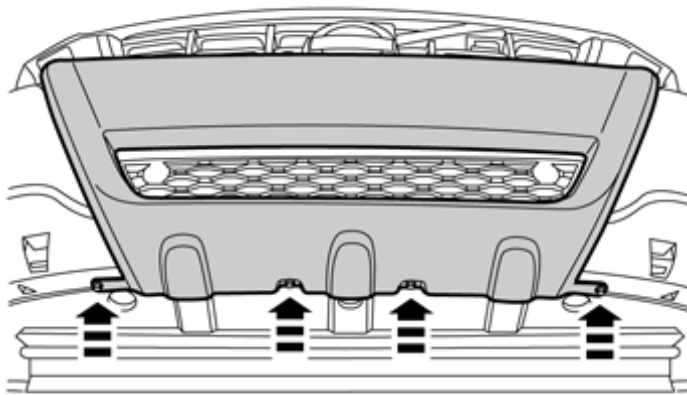
Place the panel on top of the cradle with the hooks opposite the corresponding cut-out in the panel, and angled 30 mm (1 3/16") at the lower edge.

Press the panel (1) so that the hooks engage, a click should be heard.

Align the panel (2) against the bumper cover.

Ensure that it is secure, all hooks must be engaged.

12



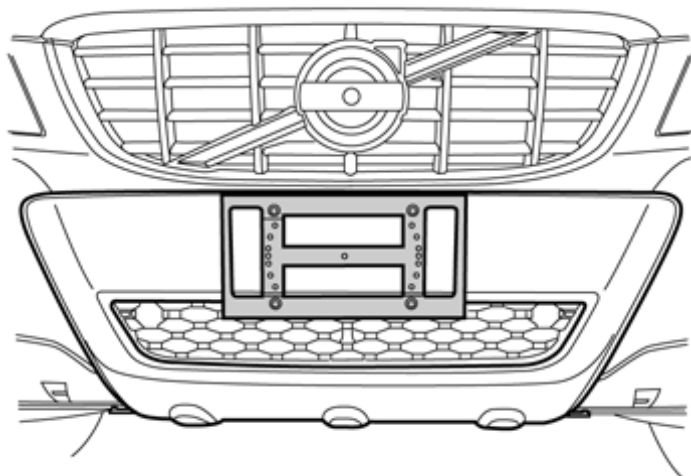
IMG-271776

Install four new screws from the kit (similar to those removed) and tighten.

Installation instructions, accessories

Volvo Car Corporation Gothenburg, Sweden

13



Install the number plate cradle with the new screws 4.8 x 14 mm (3/16 x 35/64 ") from the kit according to the markings.

IMG-271777