



Installation instructions, accessories

Volvo Car Corporation Gothenburg, Sweden

Instruction No
31428169

Version
1.0

Part. No.
31443745, 30659759

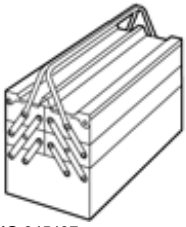
Alarm, movement sensor



Installation instructions, accessories

Volvo Car Corporation Gothenburg, Sweden

Equipment



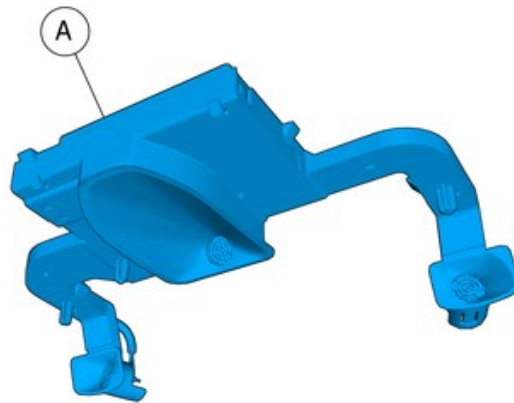
IMG-345497



IMG-239667

VIDA

IMG-242205



IMG-395630



Installation instructions, accessories

Volvo Car Corporation Gothenburg, Sweden

Information

1

Read through all of the instructions before starting installation.

Notifications and warning texts are for your safety and to minimise the risk of something breaking during installation.

Ensure that all tools stated in the instructions are available before starting installation.

Certain steps in the instructions are only presented in the form of images. Explanatory text is also given for more complicated steps.

In the event of any problems with the instructions or the accessory, contact your local Volvo dealer.

Color symbols

2



Note!

This colour chart displays (in colour print and electronic version) the importance of the different colours used in the images of the method steps.

1. Used for focused component, the component with which you will do something.
2. Used as extra colors when you need to show or differentiate additional parts.
3. Used for attachments that are to be removed/installed. May be screws, clips, connectors, etc.
4. Used when the component is not fully removed from the vehicle but only hung to the side.
5. Used for standard tools and special tools.
6. Used as background color for vehicle components.

IMG-363036

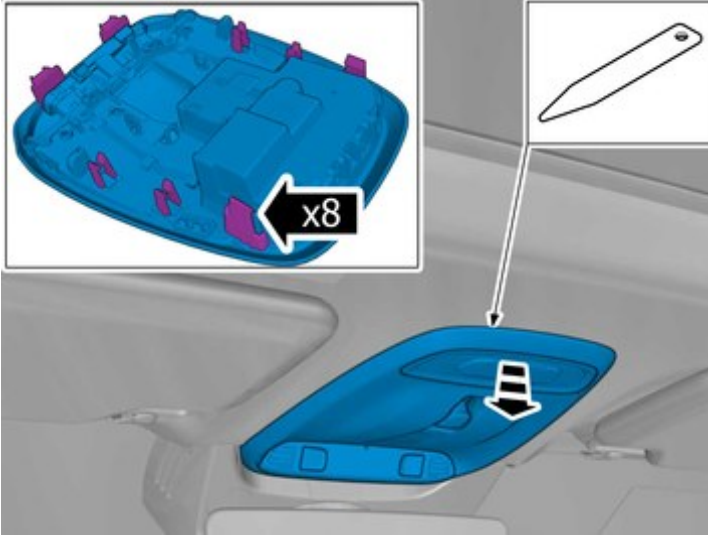
Removal



Installation instructions, accessories

Volvo Car Corporation Gothenburg, Sweden

3



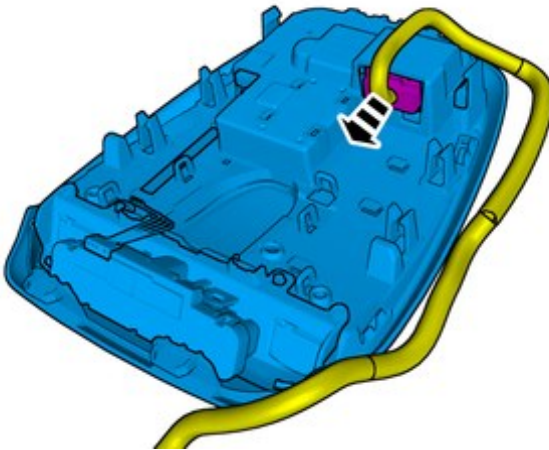
IMG-397174

Remove the part carefully

The part is to be reused.

4

Disconnect the connector.



IMG-395722

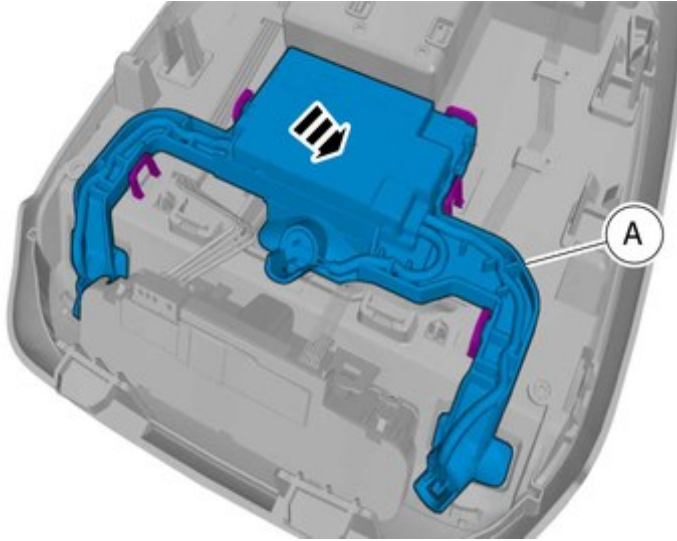
Accessory installation



Installation instructions, accessories

Volvo Car Corporation Gothenburg, Sweden

5



IMG-395695

Install component that comes with the accessory kit.

Installation

6



IMG-402558

Note!
Orientation view

Locate the pre-routed connector.

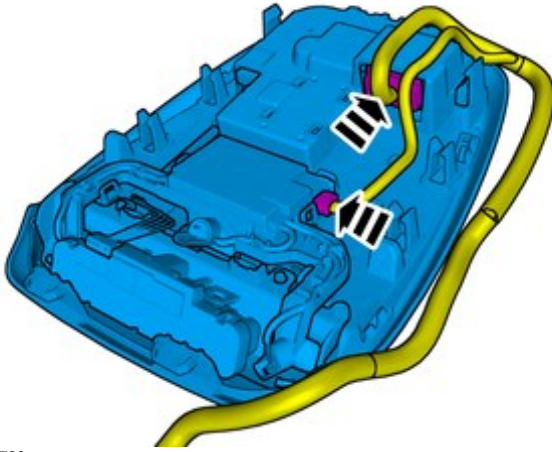


Installation instructions, accessories

Volvo Car Corporation Gothenburg, Sweden

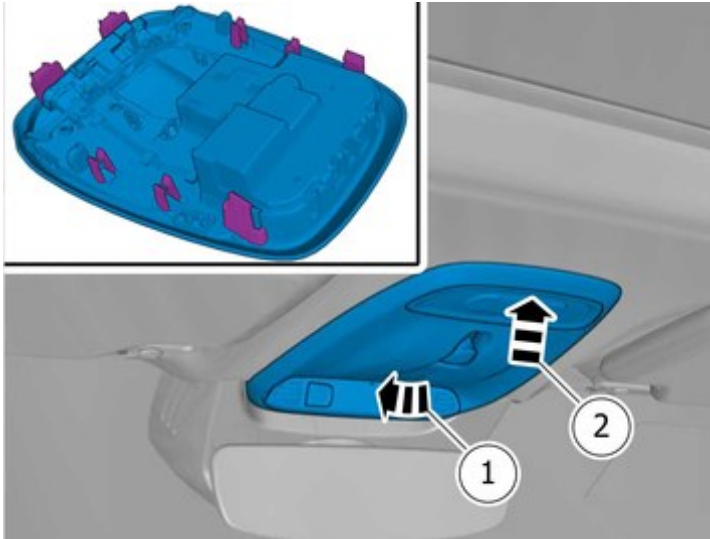
7

Connect the connectors.



IMG-395723

8



IMG-397179

9

Reinstall the removed parts in reverse order.

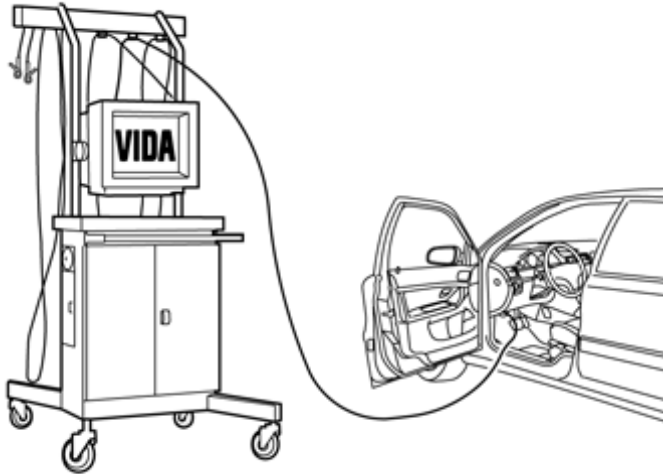


Installation instructions, accessories

Volvo Car Corporation Gothenburg, Sweden

10

Download software (application) for the accessory's function according to the service information in VIDA.



IMG-242268