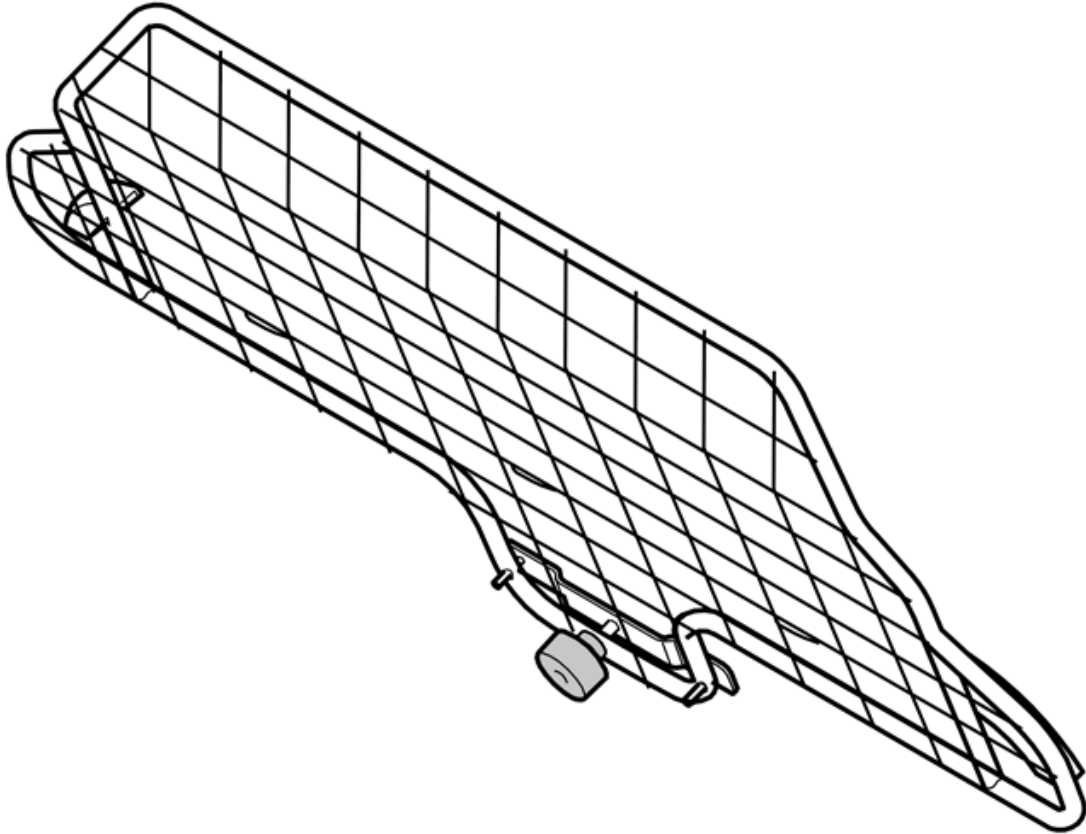


Installation instructions, accessories

Volvo Car Corporation Gothenburg, Sweden

Instruction No 8641539
Version 1.1
Part. No. 8641489

Luggage compartment net



R8902549

Equipment



A0000163

Installation instructions, accessories

Volvo Car Corporation Gothenburg, Sweden

INTRODUCTION

Read through all of the instructions before starting installation.

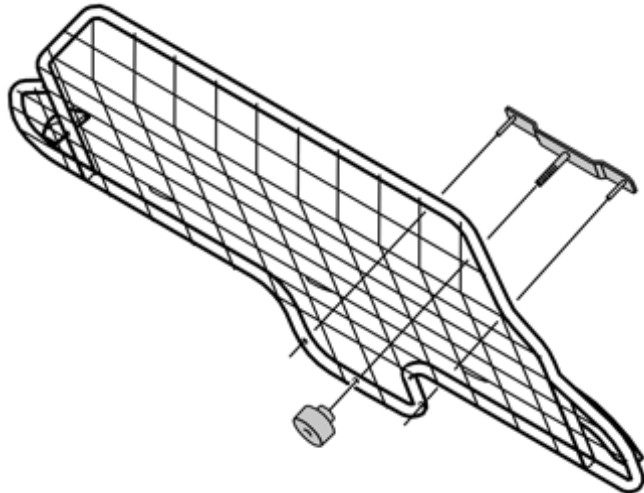
Notifications and warning texts are for your safety and to minimise the risk of something breaking during installation.

Ensure that all tools stated in the instructions are available before starting installation.

Certain steps in the instructions are only presented in the form of images. Explanatory text is also given for more complicated steps.

In the event of any problems with the instructions or the accessory, contact your local Volvo dealer.

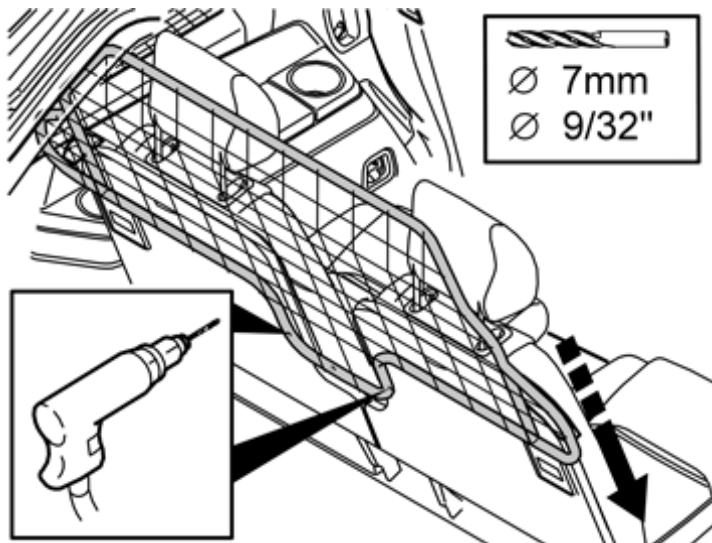
1



R8902550

Remove the locking device from the cargo compartment net by unscrewing the knob and pulling it off.

2



R8902516

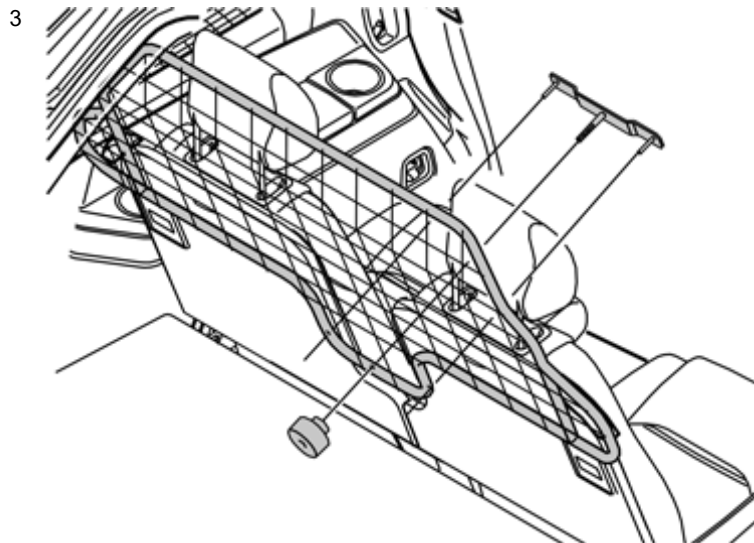
Lift in the cargo compartment net through the tailgate. Hang it on the backrest disc as illustrated. Check that the net is horizontal

Drill out the holes in the backrest disc through the existing holes in the cargo compartment net. Use a 7 mm (9/32") diameter drill bit

Remove any swarf.

Installation instructions, accessories

Volvo Car Corporation Gothenburg, Sweden



R8902551

Take the striker plate and insert it from the front in the hole where it was disconnected

Insert the locating pins on the striker plate in the newly drilled holes. Take the knob and tighten the striker plate against the backrest disc.