

Installation instructions, accessories

Volvo Car Corporation Gothenburg, Sweden

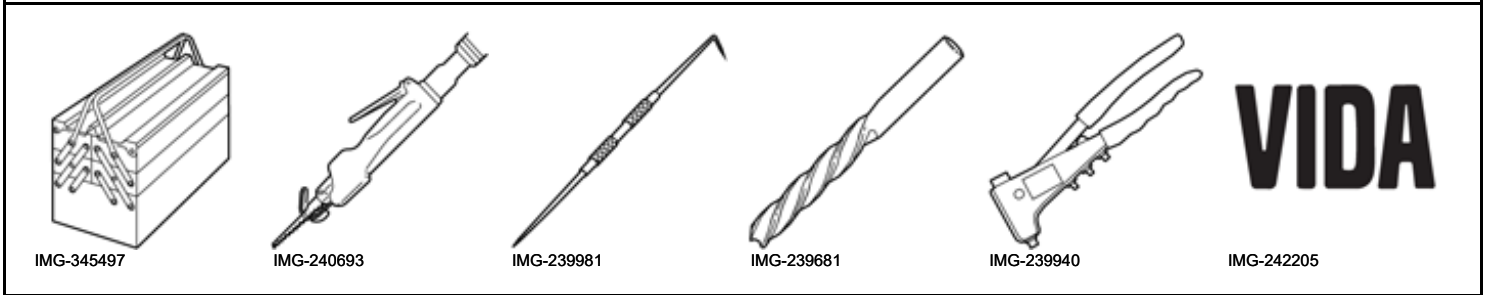
Instruction No
32273238

Version
1.1

Part. No.
32273237

Body kit

Equipment



IMG-467156

Installation instructions, accessories

Volvo Car Corporation Gothenburg, Sweden

Information

1

Read through all of the instructions before starting installation.

Notifications and warning texts are for your safety and to minimise the risk of something breaking during installation.

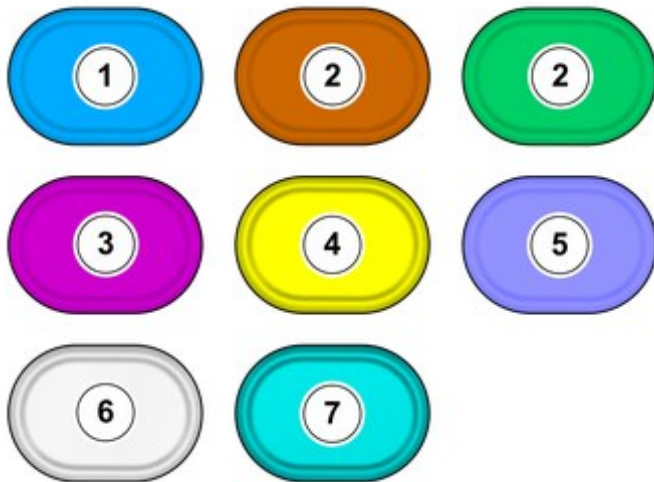
Ensure that all tools stated in the instructions are available before starting installation.

Certain steps in the instructions are only presented in the form of images. Explanatory text is also given for more complicated steps.

In the event of any problems with the instructions or the accessory, contact your local Volvo dealer.

Color symbols

2



IMG-400010

Note!

This colour chart displays (in colour print and electronic version) the importance of the different colours used in the images of the method steps.

1. Used for focused component, the component with which you will do something.
 2. Used as extra colors when you need to show or differentiate additional parts.
 3. Used for attachments that are to be removed/installed. May be screws, clips, connectors, etc.
 4. Used when the component is not fully removed from the vehicle but only hung to the side.
 5. Used for standard tools and special tools.
 6. Used as background color for vehicle components.
 7. Used for accessory components.
-

Installation instructions, accessories

Volvo Car Corporation Gothenburg, Sweden

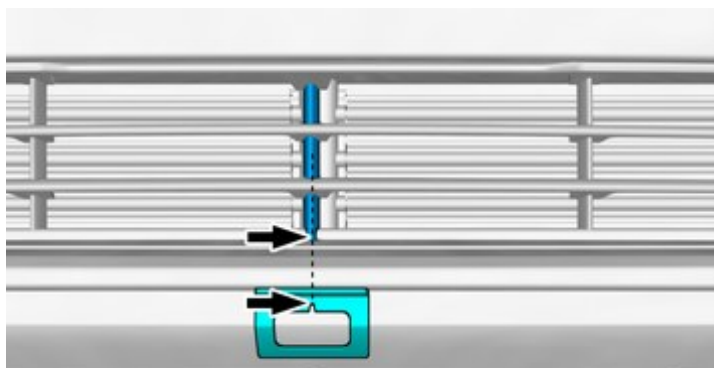
3



Note!
Orientation view

IMG-464656

4



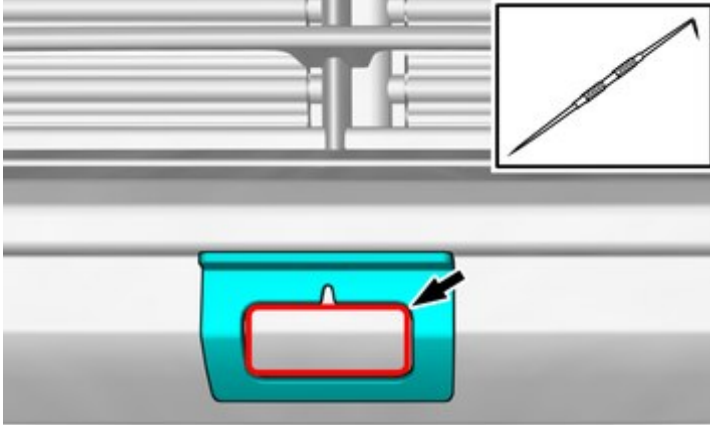
Place the component where indicated in the graphic.

IMG-456815

Installation instructions, accessories

Volvo Car Corporation Gothenburg, Sweden

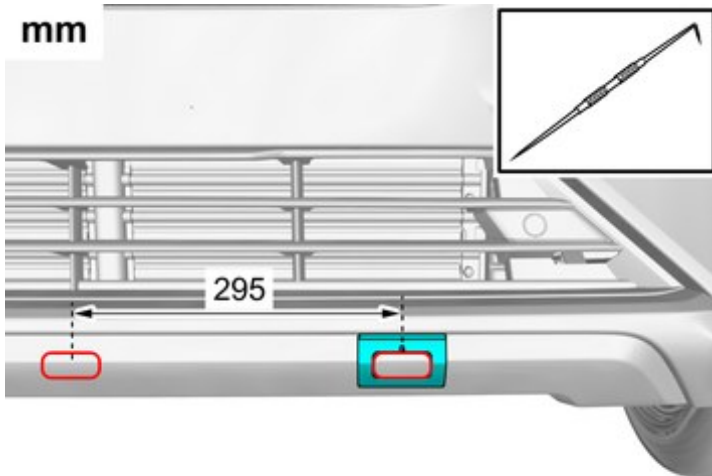
5



Scribe/mark up

IMG-457246

6



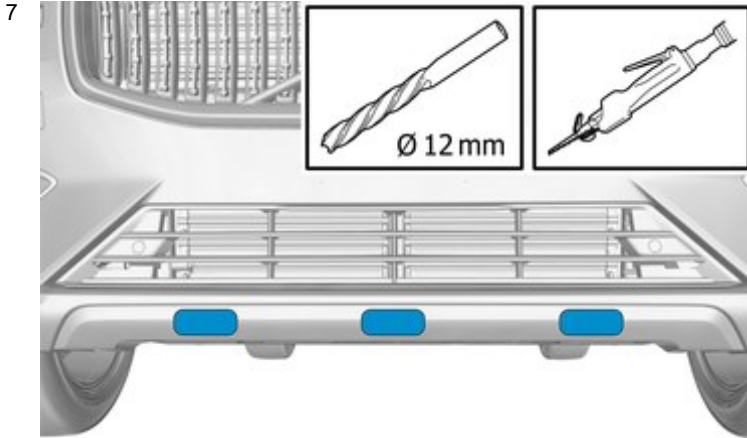
Scribe/mark up

Repeat on the other side.

IMG-457251

Installation instructions, accessories

Volvo Car Corporation Gothenburg, Sweden



IMG-457252

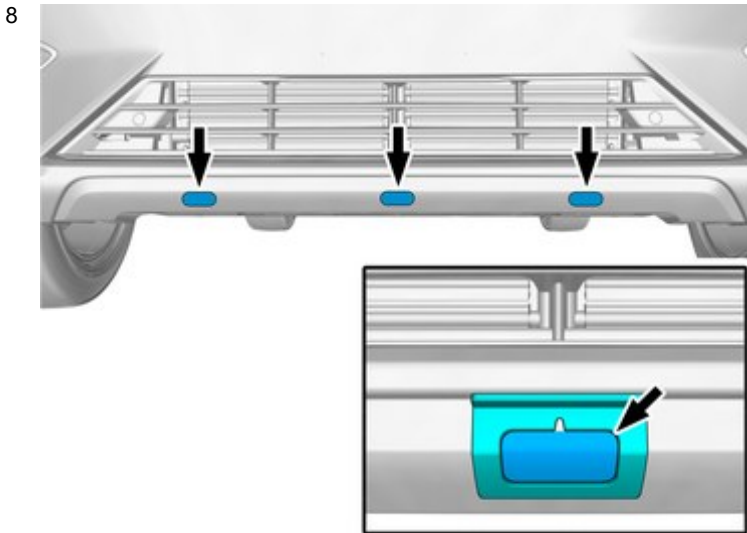
Caution!

Make sure that the cutout does not exceed the marking.

Use a drill with the stated size

Use: Air-powered air saw

Cut out following the template.



IMG-457344

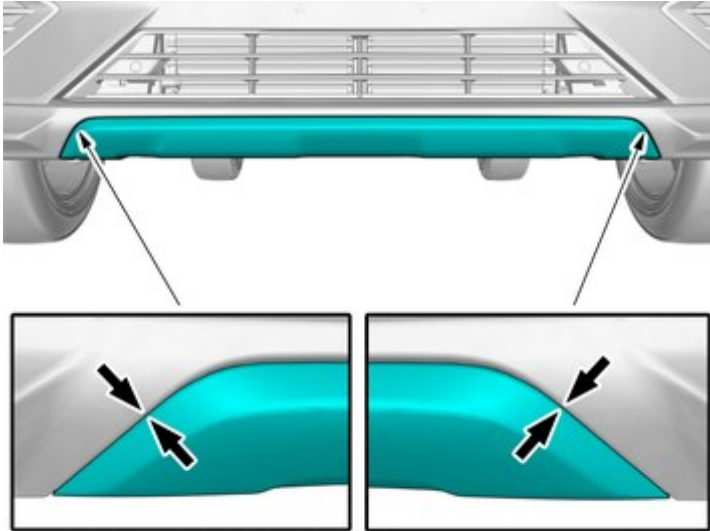
Use the template in the installation instructions.

Make sure that no material is inside the template.

Installation instructions, accessories

Volvo Car Corporation Gothenburg, Sweden

9



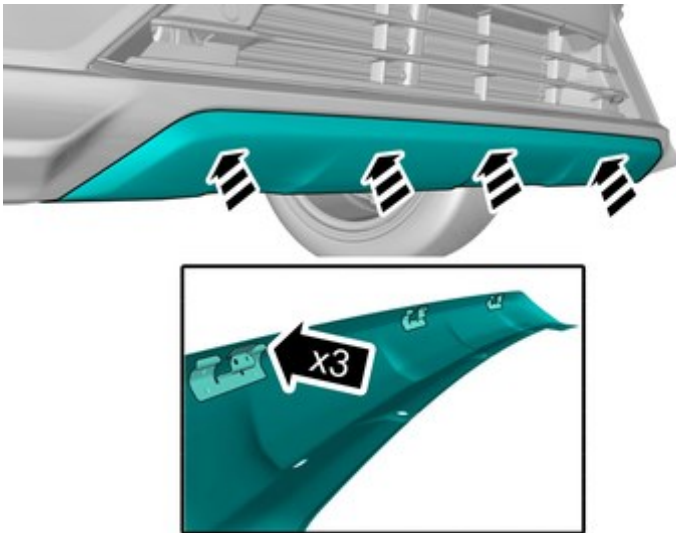
IMG-457286

Note!

Make sure that the component is centred.

Place the component where indicated in the graphic.

10



IMG-457534

Install the marked component.

Ensure that all clips engage.

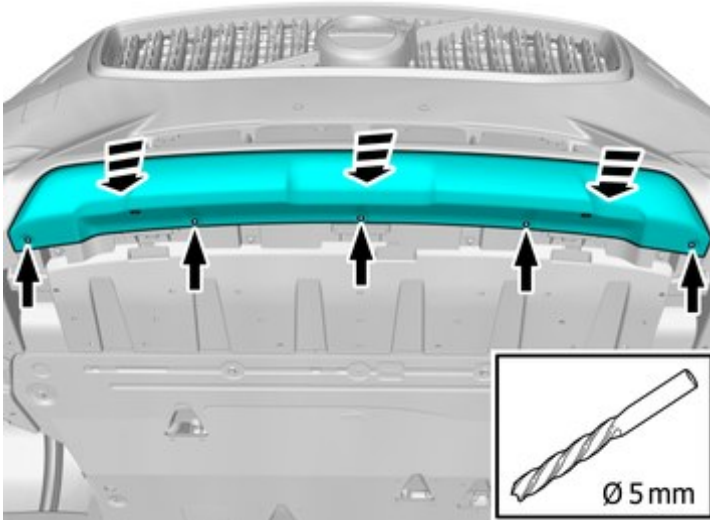
Installation instructions, accessories

Volvo Car Corporation Gothenburg, Sweden

11

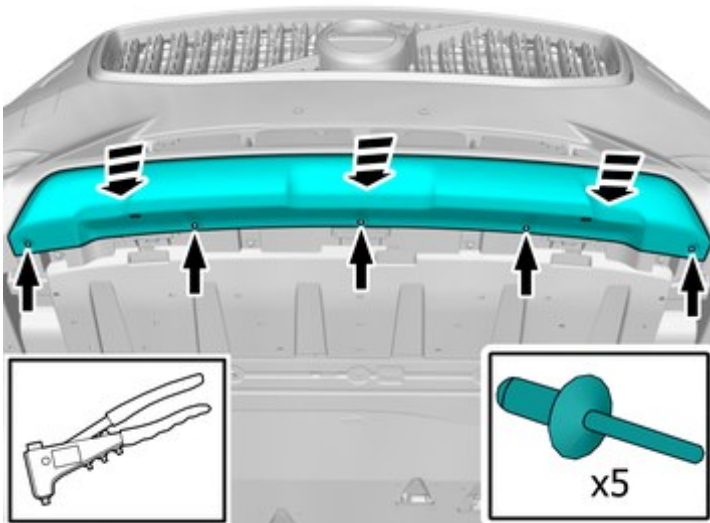
Press the marked component.

Use a drill with the stated size



IMG-457440

12

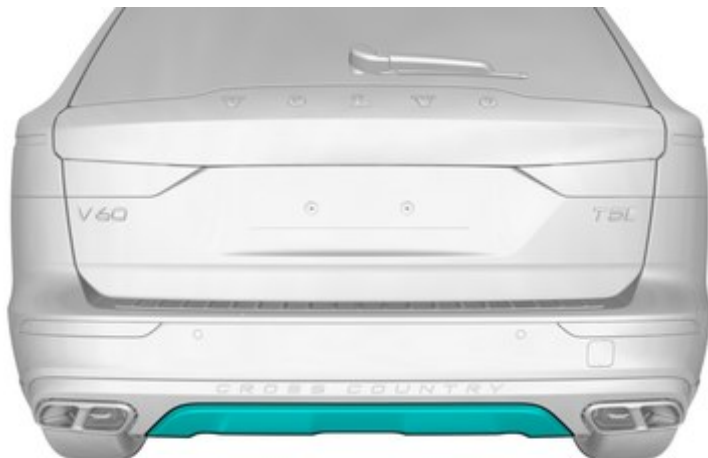


IMG-457441

Installation instructions, accessories

Volvo Car Corporation Gothenburg, Sweden

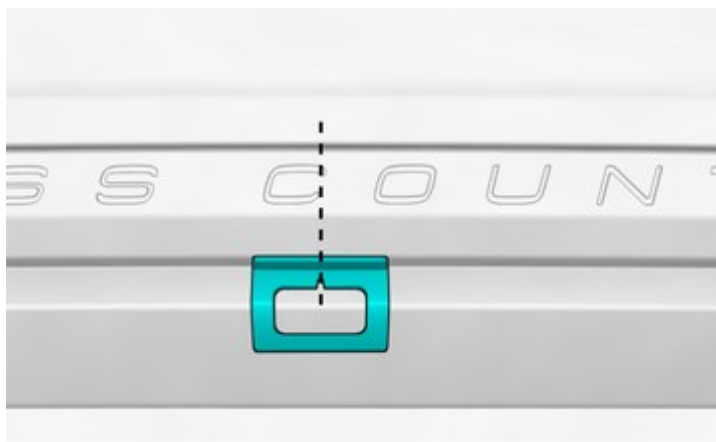
13



Note!
Orientation view

IMG-464653

14



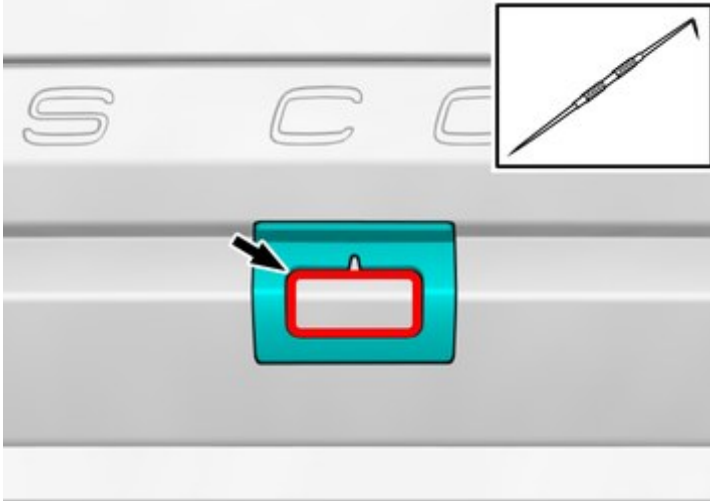
Place the component where indicated in the graphic.

IMG-456870

Installation instructions, accessories

Volvo Car Corporation Gothenburg, Sweden

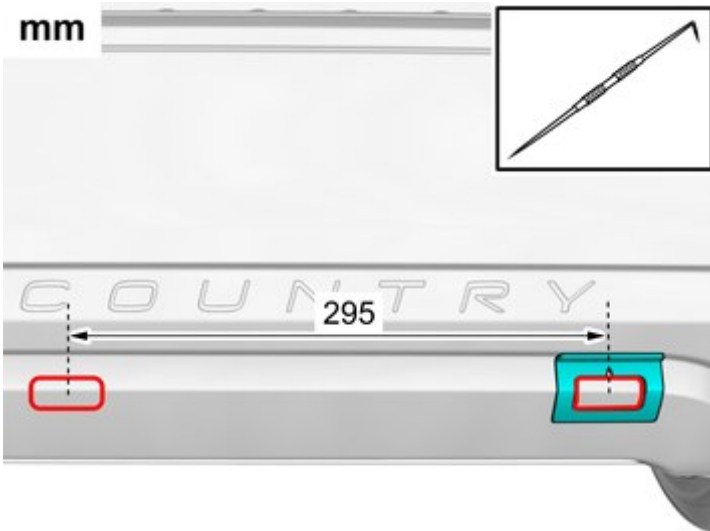
15



Scribe/mark up

IMG-457313

16



Place the component where indicated in the graphic.

Scribe/mark up

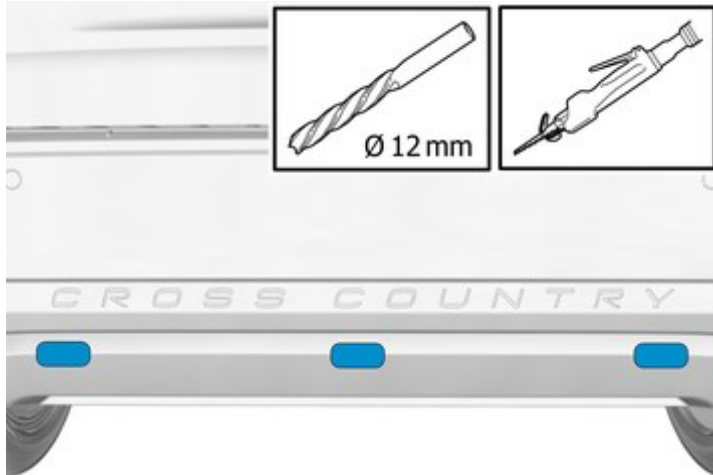
Repeat on the other side.

IMG-457314

Installation instructions, accessories

Volvo Car Corporation Gothenburg, Sweden

17



IMG-456900

Caution!

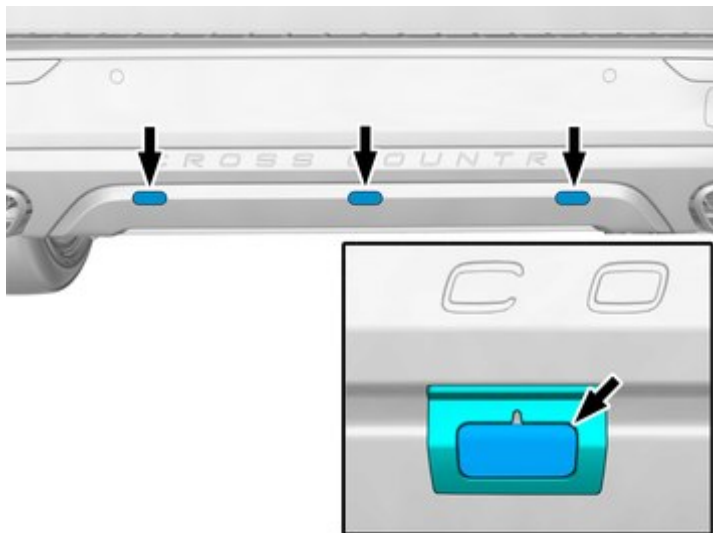
Make sure that the cutout does not exceed the marking.

Use a drill with the stated size

Use: Air-powered air saw

Cut out following the template.

18



IMG-457336

Use the template in the installation instructions.

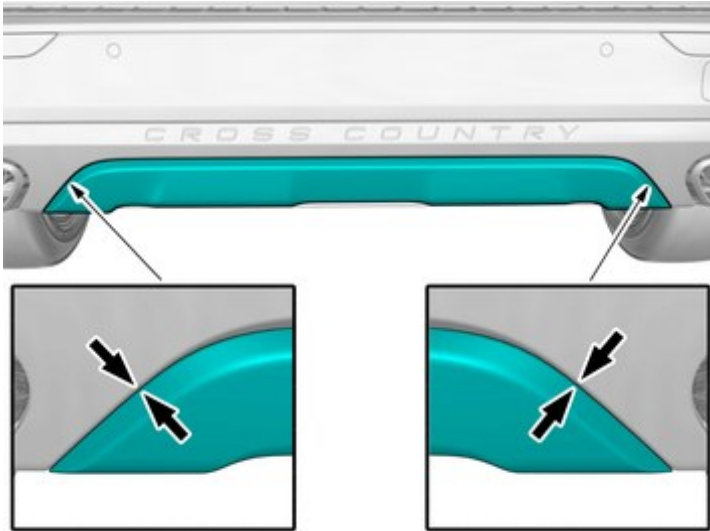
Remove the marked part.

Make sure that no material is inside the template.

Installation instructions, accessories

Volvo Car Corporation Gothenburg, Sweden

19



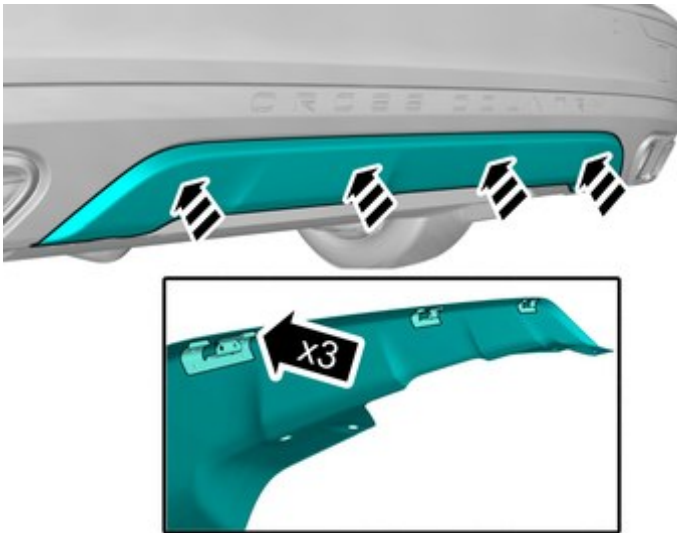
IMG-457342

Note!

Make sure that the component is centred.

Place the component where indicated in the graphic.

20



IMG-457536

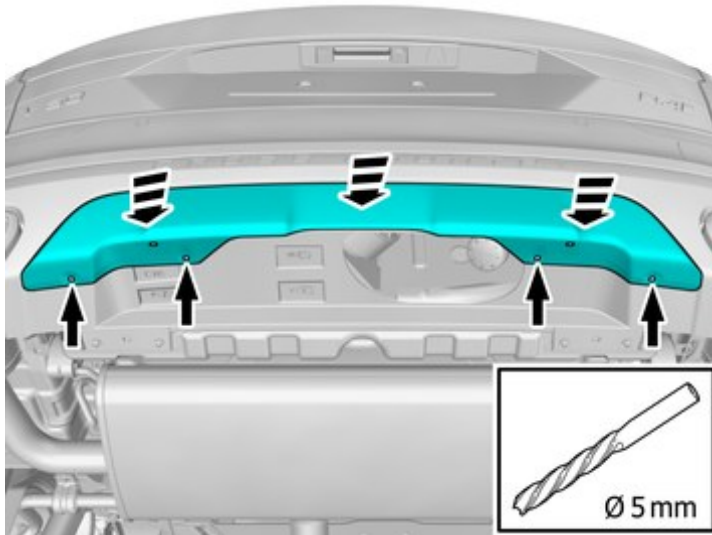
Install the marked component.

Ensure that all clips engage.

Installation instructions, accessories

Volvo Car Corporation Gothenburg, Sweden

21

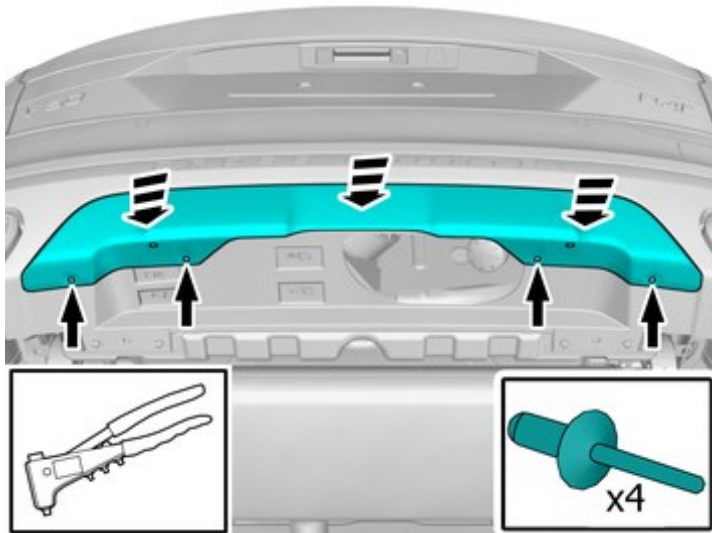


IMG-457431

Press the marked component.

Use a drill with the stated size

22



IMG-457435

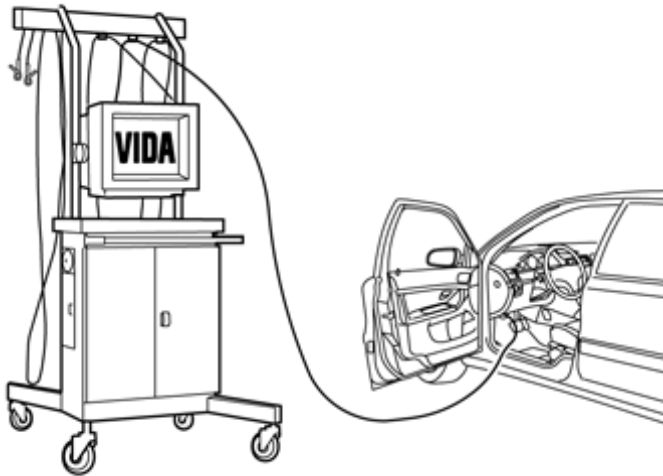
Vehicles with Foot movement detection (FMDM)

Installation instructions, accessories

Volvo Car Corporation Gothenburg, Sweden

23

Order and download software according to: 32270761



IMG-242268