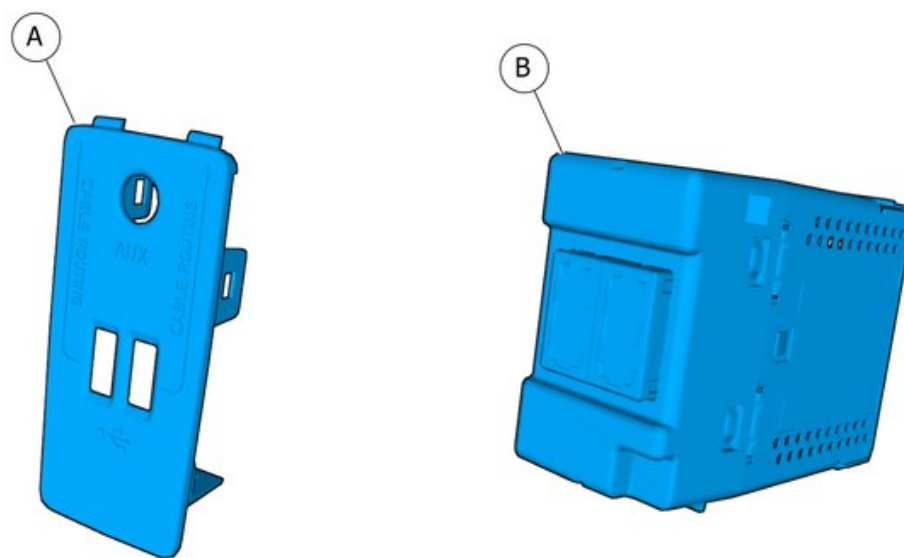


Installation instructions, accessories

Volvo Car Corporation Gothenburg, Sweden

Instruction No	Version	Part. No.
32204462	1.1	32204228, 32207897

Integrated smartphone



IMG-439806

Installation instructions, accessories

Volvo Car Corporation Gothenburg, Sweden

Information

1

Read through all of the instructions before starting installation.

Notifications and warning texts are for your safety and to minimise the risk of something breaking during installation.

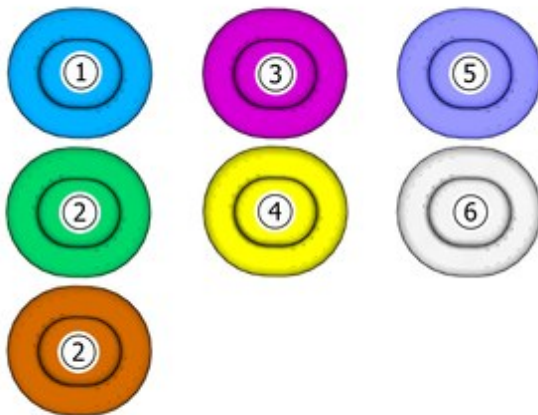
Ensure that all tools stated in the instructions are available before starting installation.

Certain steps in the instructions are only presented in the form of images. Explanatory text is also given for more complicated steps.

In the event of any problems with the instructions or the accessory, contact your local Volvo dealer.

Color symbols

2



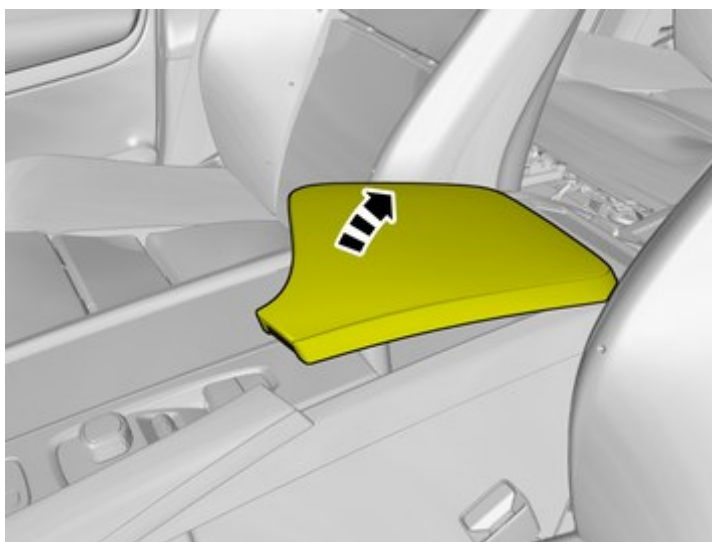
Note!

This colour chart displays (in colour print and electronic version) the importance of the different colours used in the images of the method steps.

1. Used for focused component, the component with which you will do something.
2. Used as extra colors when you need to show or differentiate additional parts.
3. Used for attachments that are to be removed/installed. May be screws, clips, connectors, etc.
4. Used when the component is not fully removed from the vehicle but only hung to the side.
5. Used for standard tools and special tools.
6. Used as background color for vehicle components.

IMG-363036

3

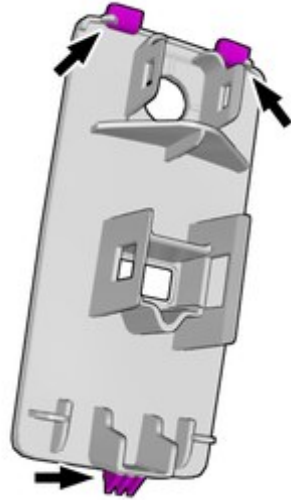


IMG-439801

Installation instructions, accessories

Volvo Car Corporation Gothenburg, Sweden

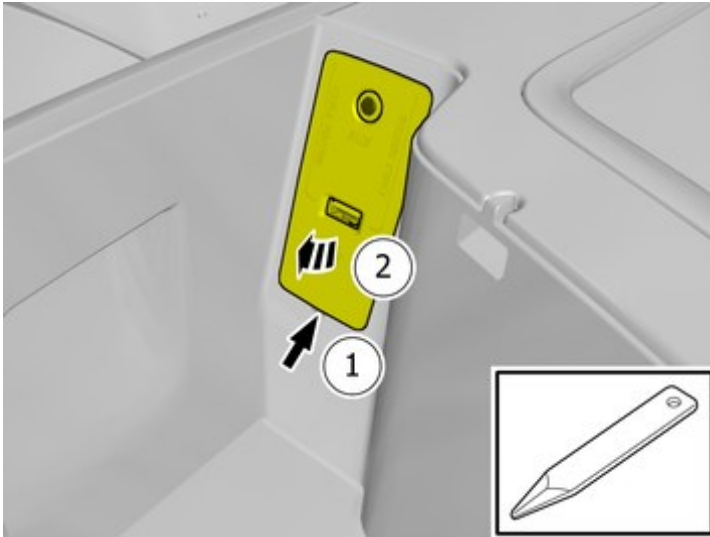
4



The graphic shows the back of the component.

IMG-439523

5



Loosen the marked detail.

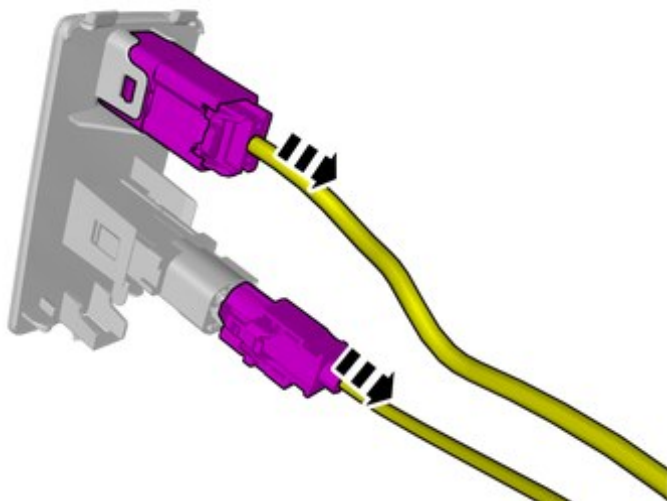
IMG-439522

Installation instructions, accessories

Volvo Car Corporation Gothenburg, Sweden

6

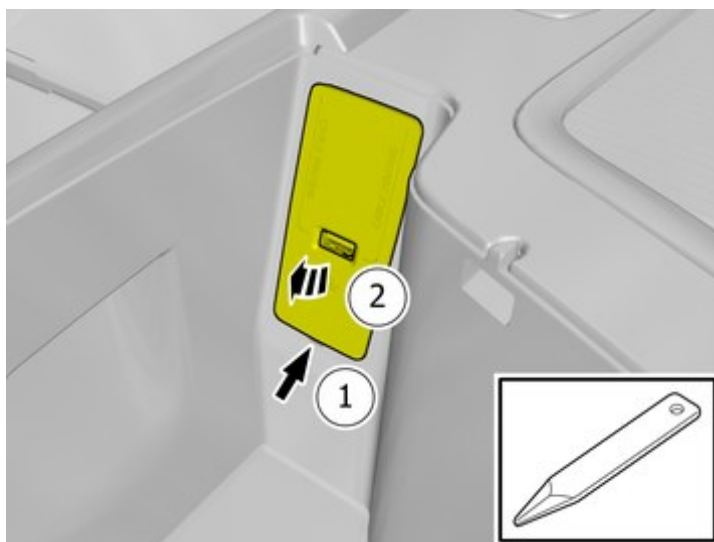
Disconnect the connectors.



IMG-439524

Alternative 2

7

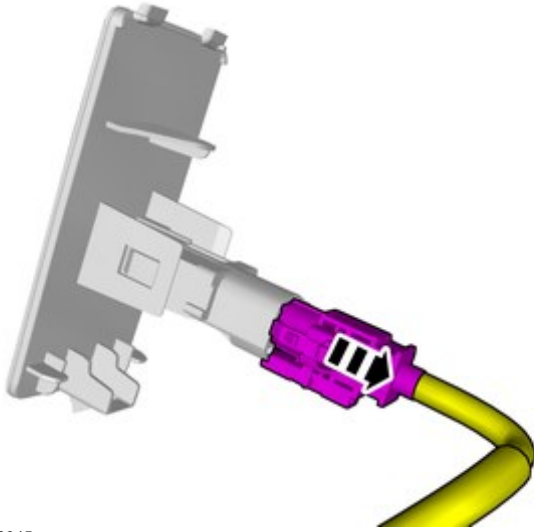


IMG-439871

Installation instructions, accessories

Volvo Car Corporation Gothenburg, Sweden

8

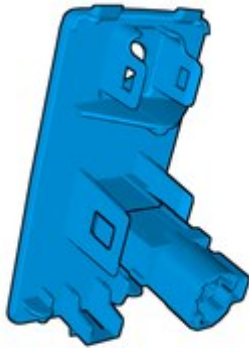


IMG-439945

All vehicles

9

The part is not to be reused.



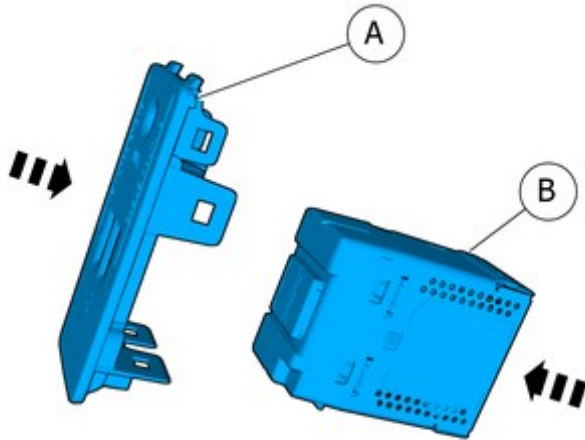
IMG-439526

Installation instructions, accessories

Volvo Car Corporation Gothenburg, Sweden

10

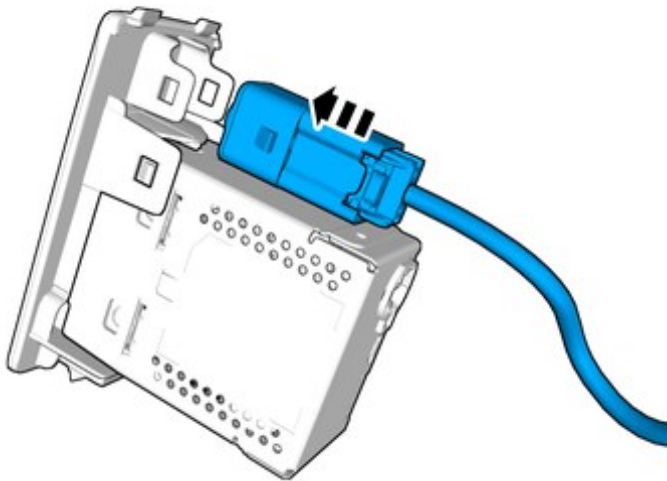
Assemble components that come with the accessory kit.



IMG-438495

11

Reinstall the removed part.

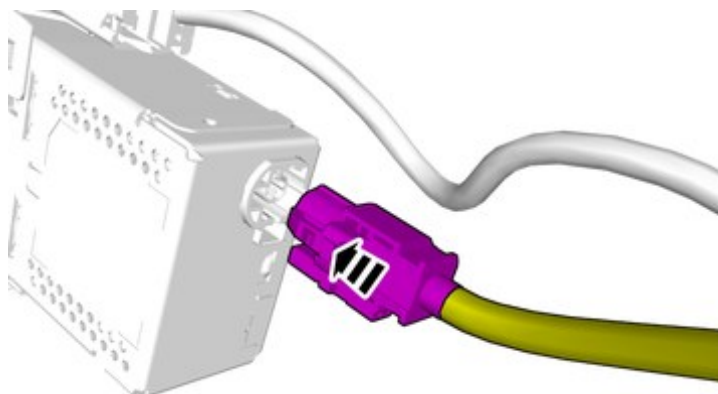


IMG-438496

Installation instructions, accessories

Volvo Car Corporation Gothenburg, Sweden

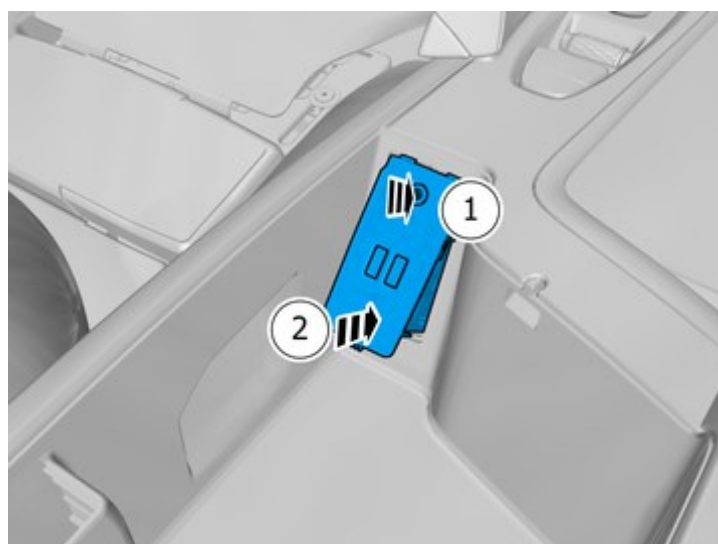
12



Connect the connector.

IMG-438500

13



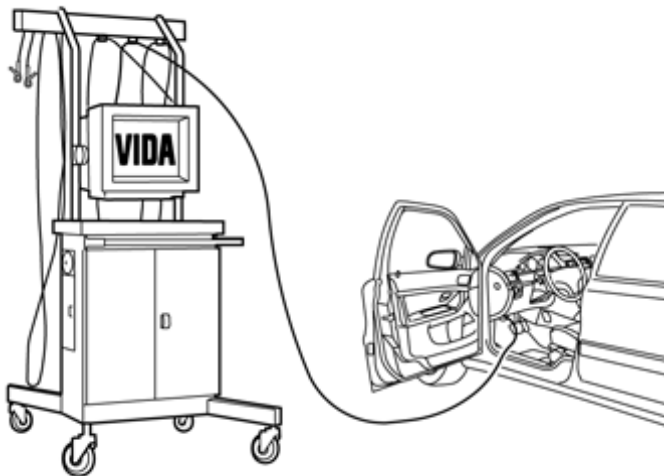
Install the marked component.

IMG-438528

Installation instructions, accessories

Volvo Car Corporation Gothenburg, Sweden

14



IMG-242268

Download software (application) for the accessory's function according to the service information in VIDA. See VIDA or the accessories catalogue for software part number.

First, download the software for USB, then Smartphone Integration.