

Installation instructions, accessories

Volvo Car Corporation Gothenburg, Sweden

Instruction No
31330387

Version
1.0

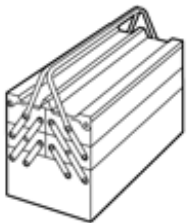
Part. No.
31339067, 31330386

End pipes, double



IMG-355756

Equipment



IMG-345497



IMG-239664

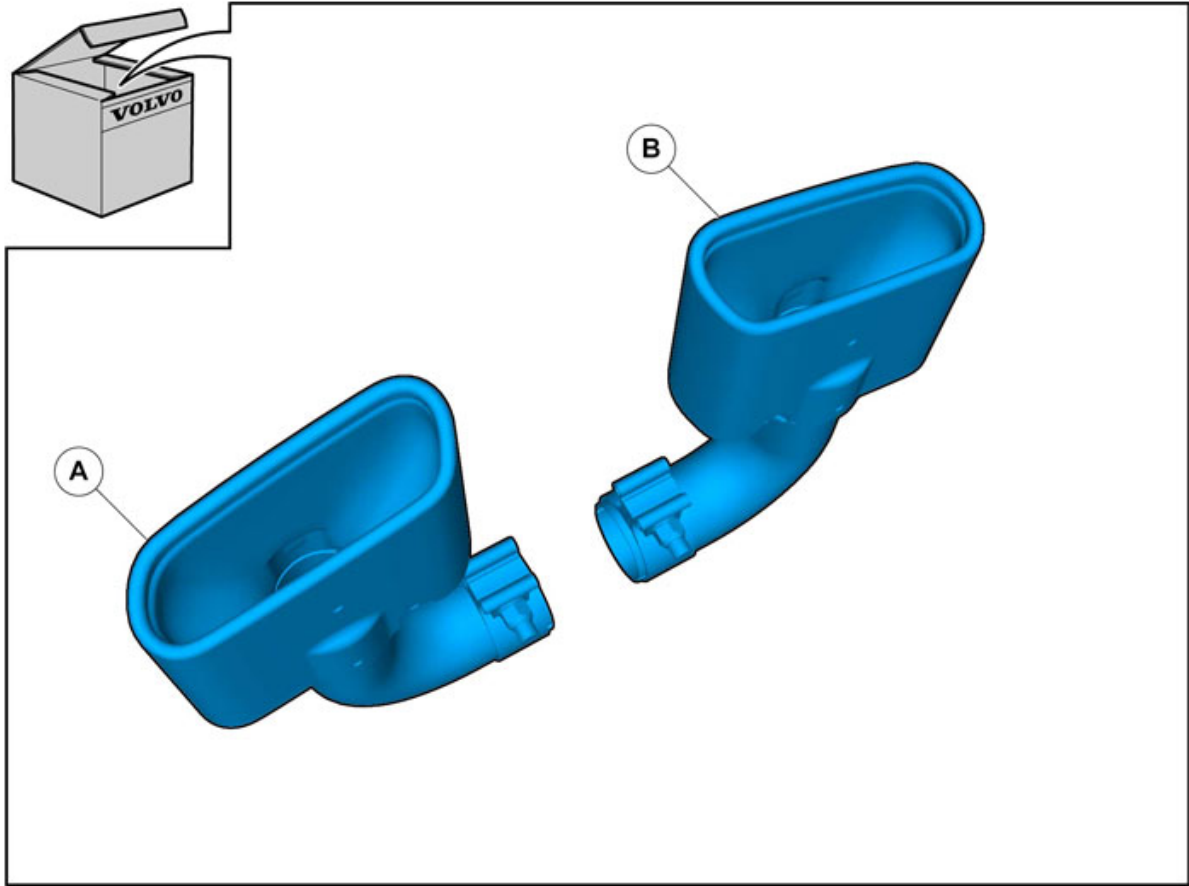
Nm
lbf.ft



IMG-244944

Installation instructions, accessories

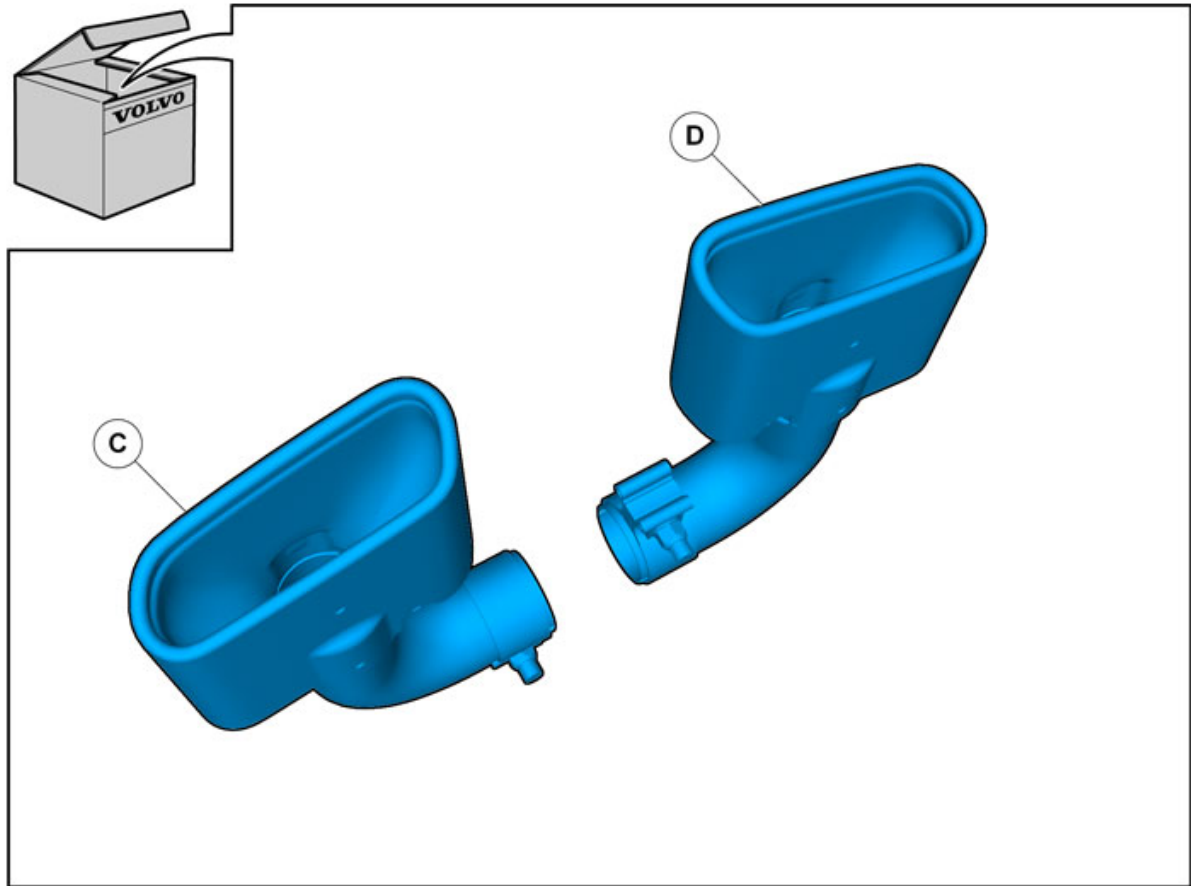
Volvo Car Corporation Gothenburg, Sweden



IMG-355582

Installation instructions, accessories

Volvo Car Corporation Gothenburg, Sweden



IMG-369264

Installation instructions, accessories

Volvo Car Corporation Gothenburg, Sweden

Information

1

Read through all of the instructions before starting installation.

Notifications and warning texts are for your safety and to minimise the risk of something breaking during installation.

Ensure that all tools stated in the instructions are available before starting installation.

Certain steps in the instructions are only presented in the form of images. Explanatory text is also given for more complicated steps.

In the event of any problems with the instructions or the accessory, contact your local Volvo dealer.

Conditions

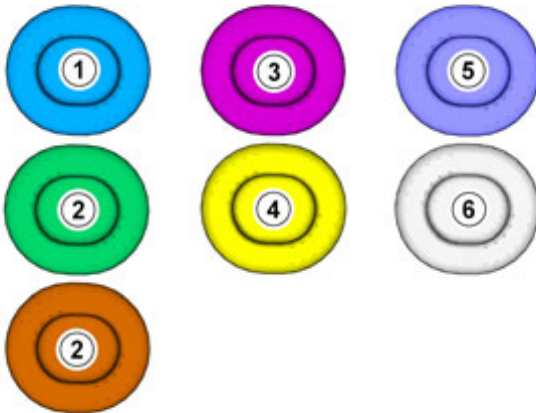
2

Note!

The Diffuser (accessory) must be installed on the vehicle.

Color symbols

3



IMG-363036

Note!

This colour chart displays (in colour print and electronic version) the importance of the different colours used in the images of the method steps.

1. Used for focused component, the component with which you will do something.
 2. Used as extra colors when you need to show or differentiate additional parts.
 3. Used for attachments that are to be removed/installed. May be screws, clips, connectors, etc.
 4. Used when the component is not fully removed from the vehicle but only hung to the side.
 5. Used for standard tools and special tools.
 6. Used as background color for vehicle components.
-

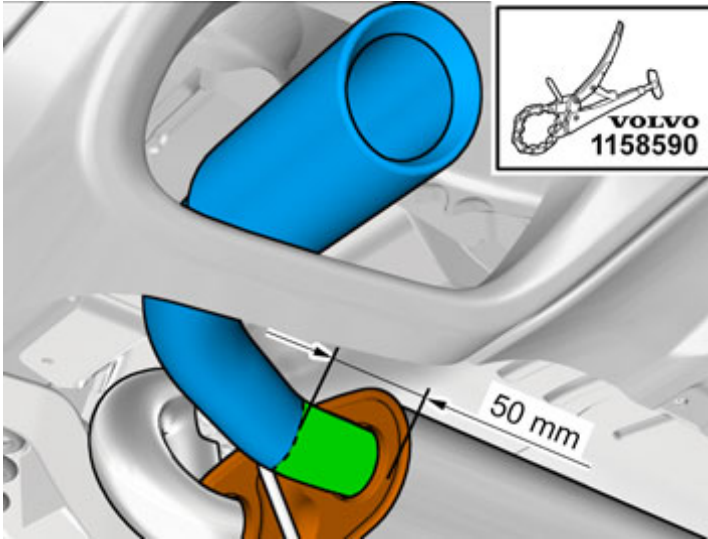
Removal

Vehicles with 5-cyl engines

Installation instructions, accessories

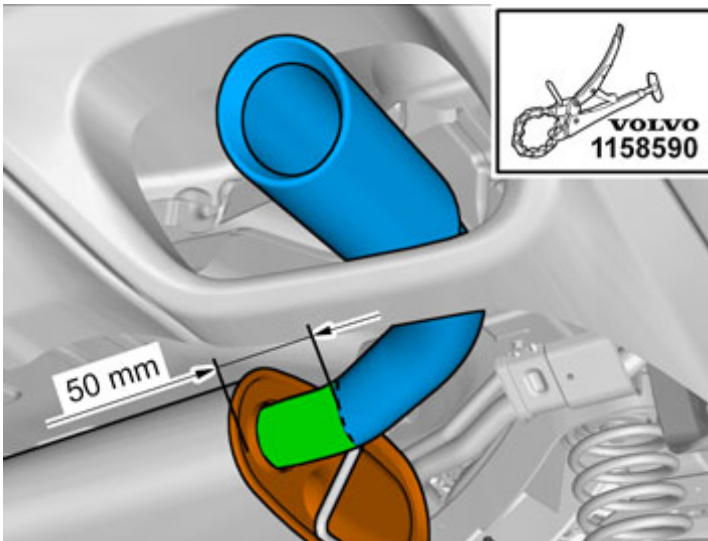
Volvo Car Corporation Gothenburg, Sweden

4



IMG-355797

5



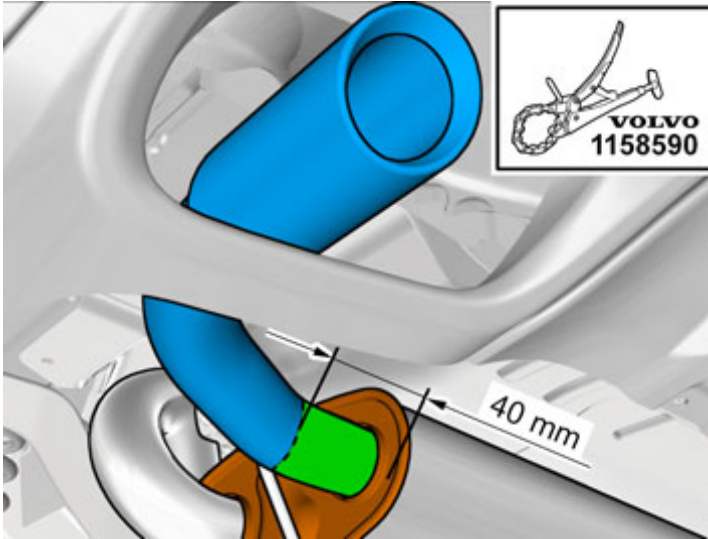
IMG-355823

Vehicles with 4-cyl engines

Installation instructions, accessories

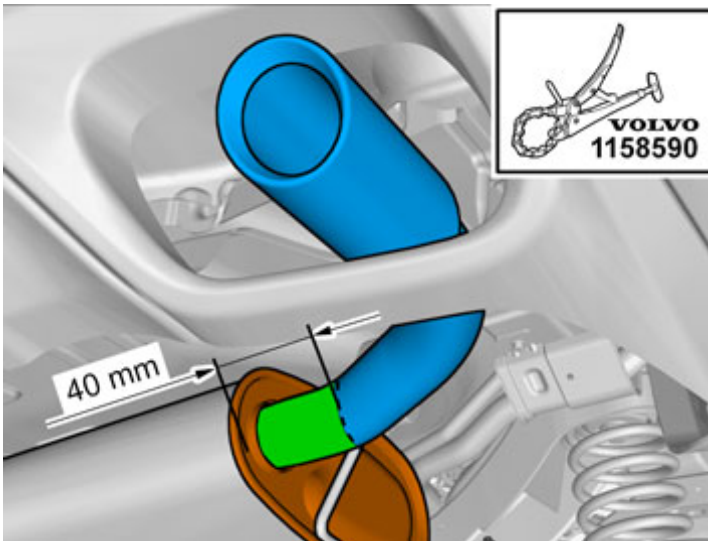
Volvo Car Corporation Gothenburg, Sweden

6



IMG-355798

7



IMG-355824

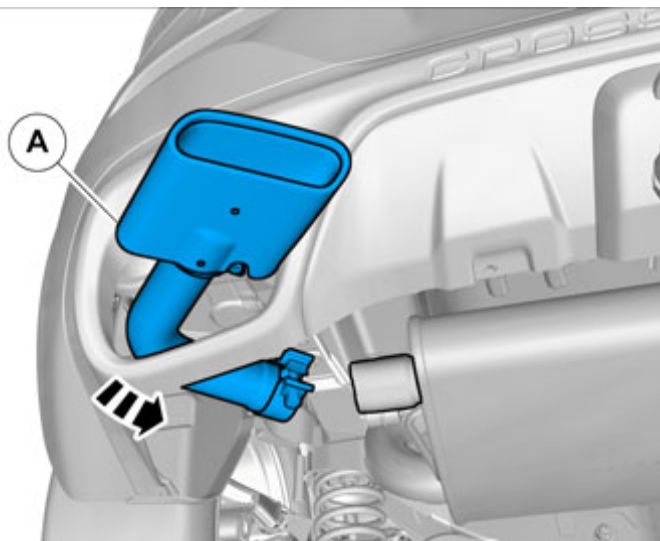
Accessory installation

Vehicles with diesel engines

Installation instructions, accessories

Volvo Car Corporation Gothenburg, Sweden

8



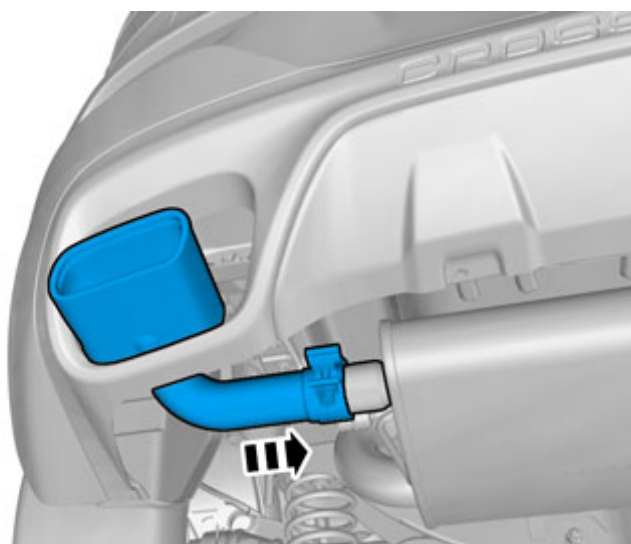
IMG-355806

Caution!

Make sure not to damage painted surfaces.

Install component that comes with the accessory kit.

9



IMG-355811

Installation instructions, accessories

Volvo Car Corporation Gothenburg, Sweden

10

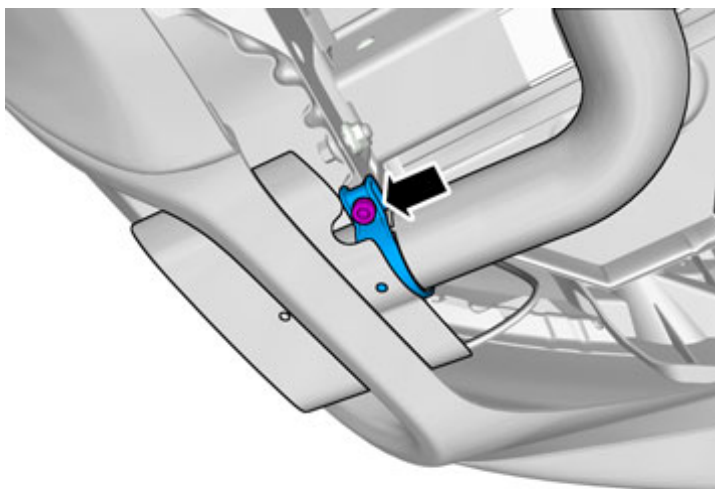


IMG-371963

Note!

Do not fully tighten the nut yet.

11



IMG-372000

Loosen the screws.

Installation instructions, accessories

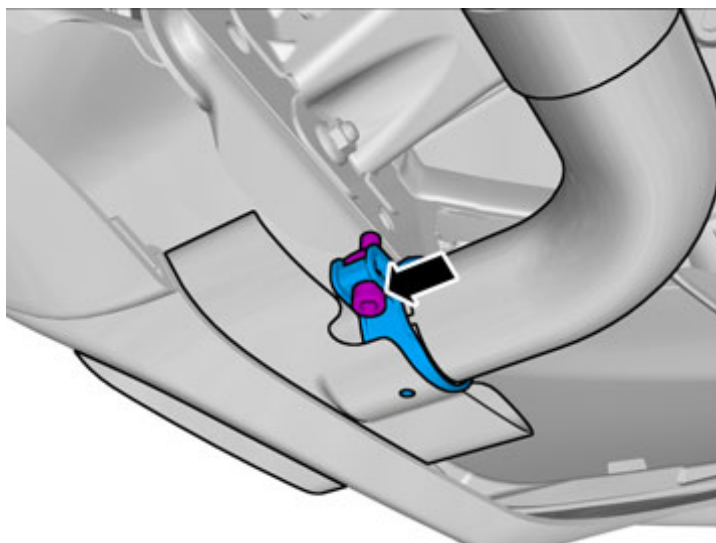
Volvo Car Corporation Gothenburg, Sweden

12



IMG-357876

13



IMG-371885

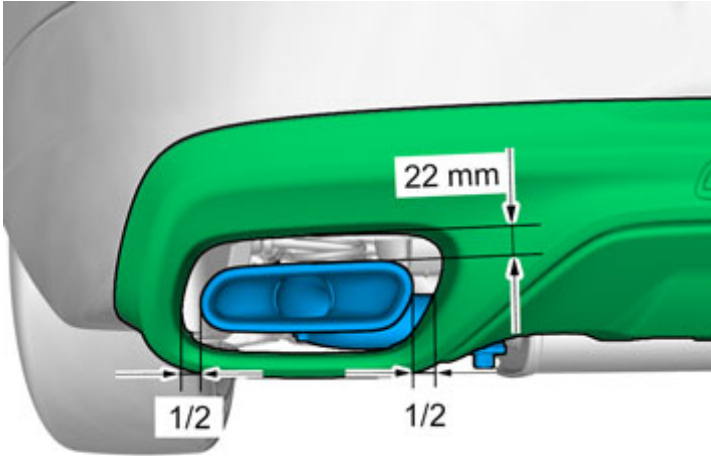
Note!

Only tighten the bolt finger tight at this stage.

Installation instructions, accessories

Volvo Car Corporation Gothenburg, Sweden

14



IMG-355817

15



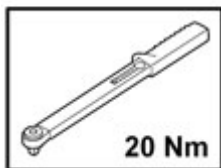
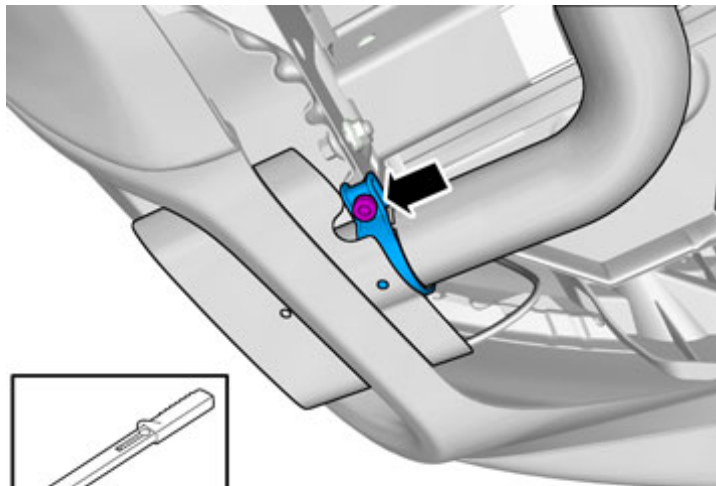
Tighten the nut.

IMG-372003

Installation instructions, accessories

Volvo Car Corporation Gothenburg, Sweden

16

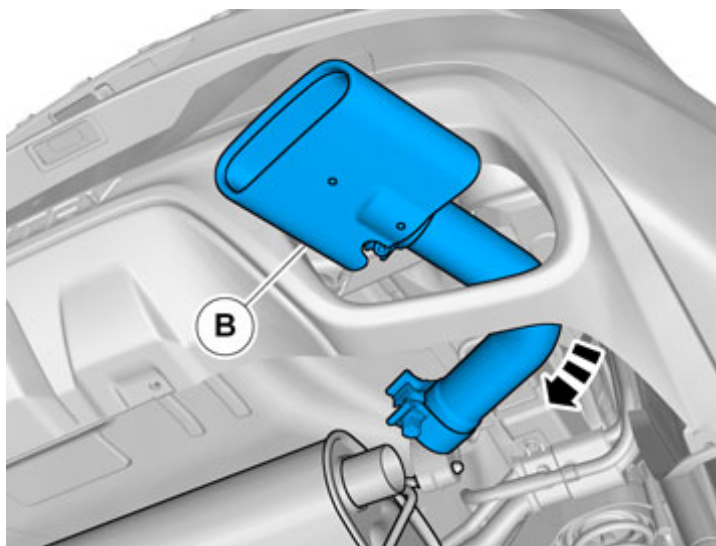


IMG-372001

Tighten the screw.

Applies to the right-hand side

17



IMG-372004

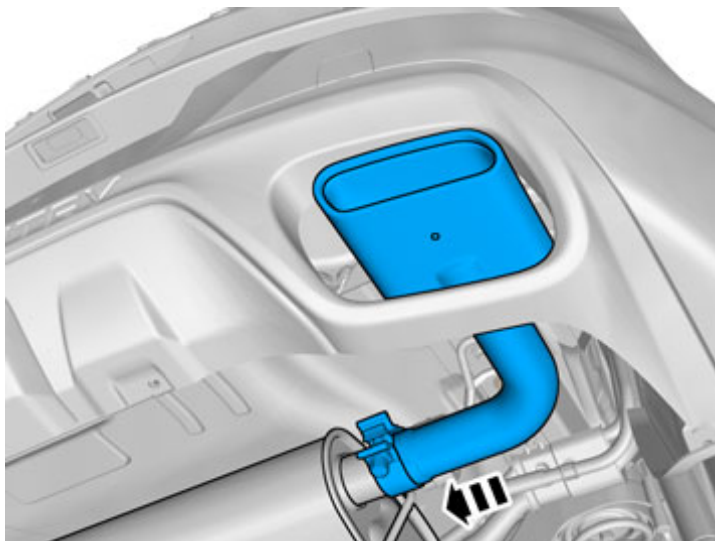
Caution!
Make sure not to damage painted surfaces.

Install component that comes with the accessory kit.

Installation instructions, accessories

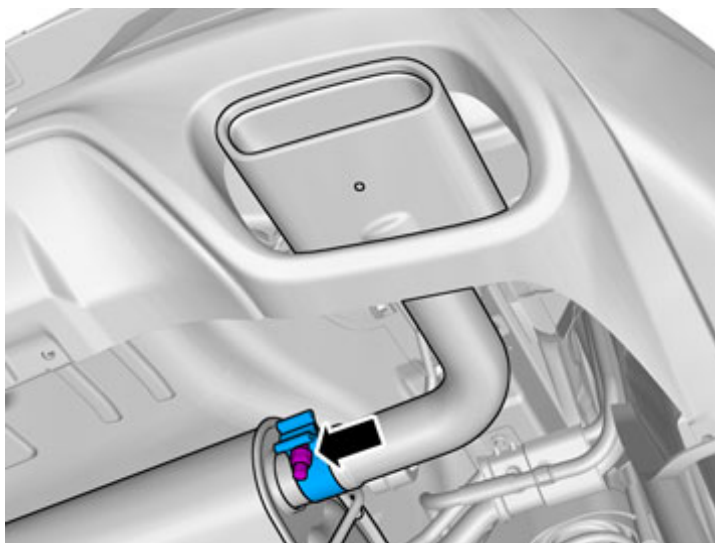
Volvo Car Corporation Gothenburg, Sweden

18



IMG-372010

19



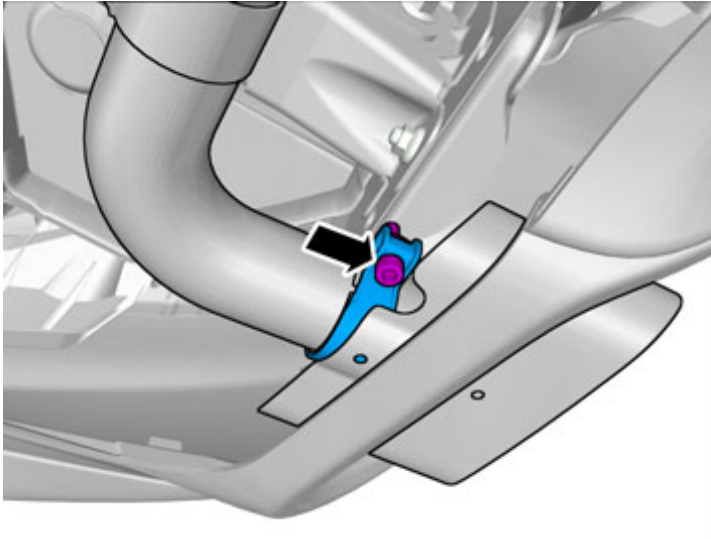
IMG-372016

Note!
Do not fully tighten the nut yet.

Installation instructions, accessories

Volvo Car Corporation Gothenburg, Sweden

20



IMG-371896

Loosen the screws.

21

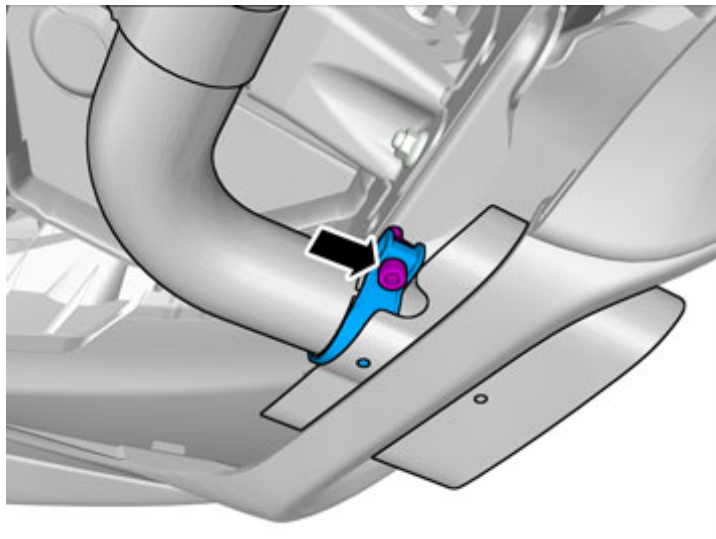


IMG-357911

Installation instructions, accessories

Volvo Car Corporation Gothenburg, Sweden

22

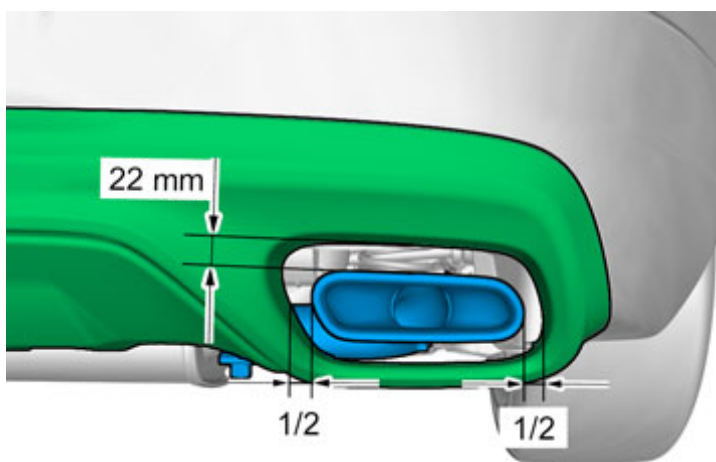


IMG-371896

Note!

Only tighten the bolt finger tight at this stage.

23

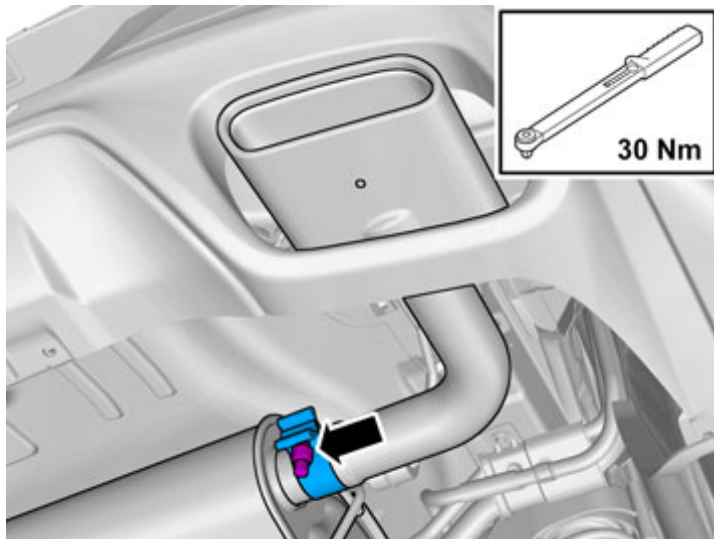


IMG-357912

Installation instructions, accessories

Volvo Car Corporation Gothenburg, Sweden

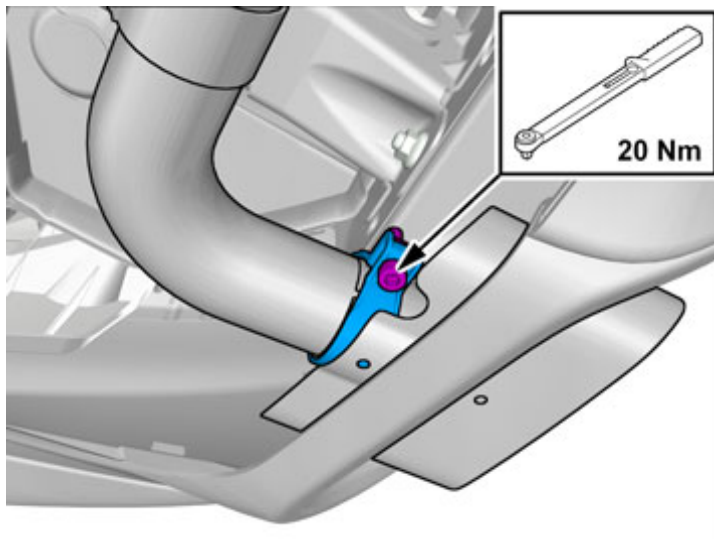
24



IMG-372018

Tighten the nut.

25



IMG-357917

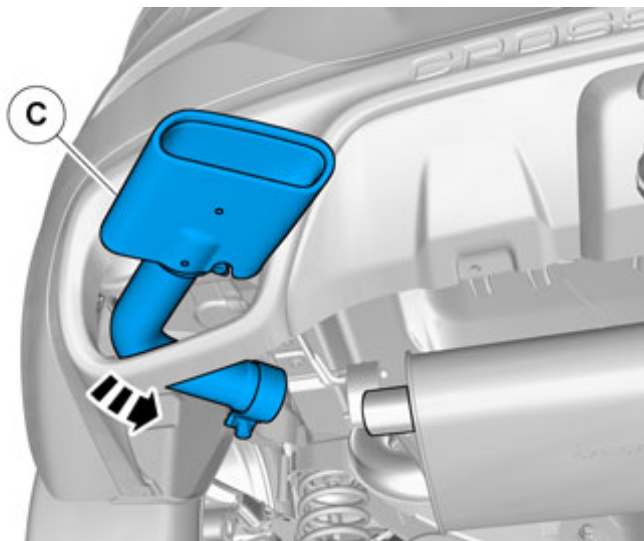
Tighten the screw.

Vehicles with gasoline engines

Installation instructions, accessories

Volvo Car Corporation Gothenburg, Sweden

26



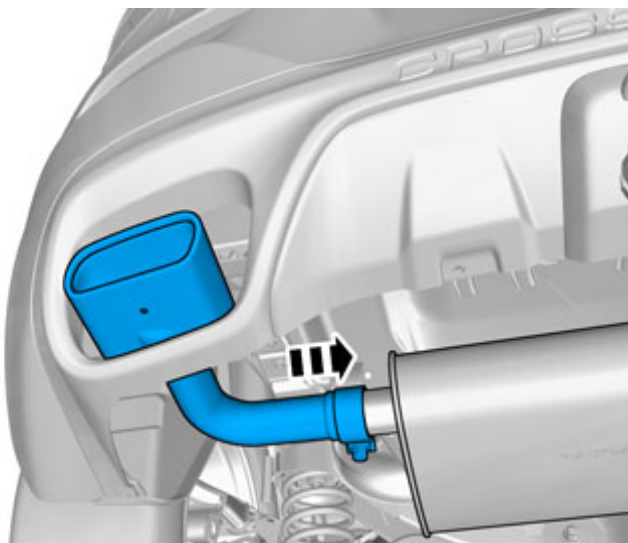
IMG-372021

Caution!

Make sure not to damage painted surfaces.

Install component that comes with the accessory kit.

27



IMG-372023

Installation instructions, accessories

Volvo Car Corporation Gothenburg, Sweden

28

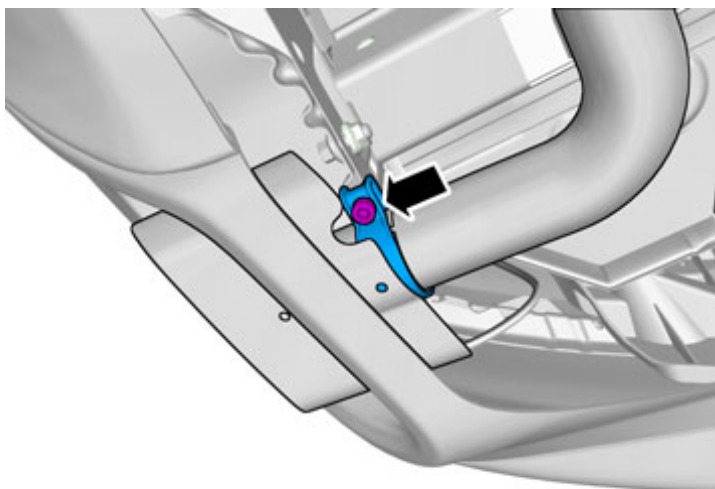


IMG-372076

Note!

Do not fully tighten the nut yet.

29



IMG-372000

Loosen the screws.

Installation instructions, accessories

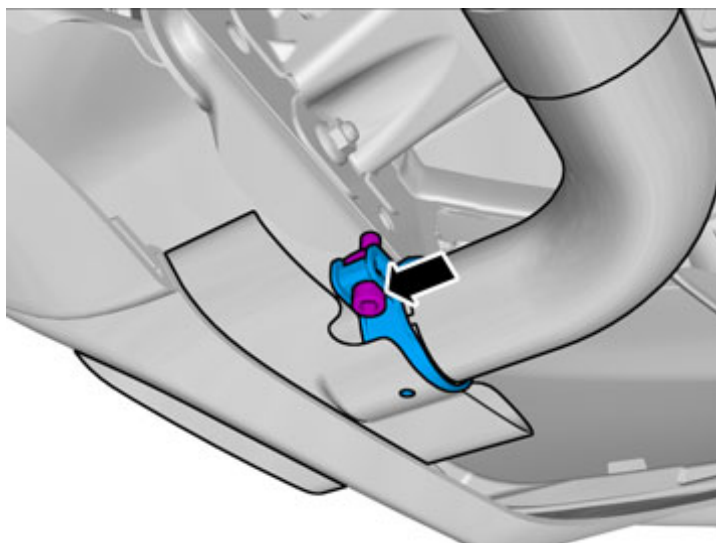
Volvo Car Corporation Gothenburg, Sweden

30



IMG-357876

31



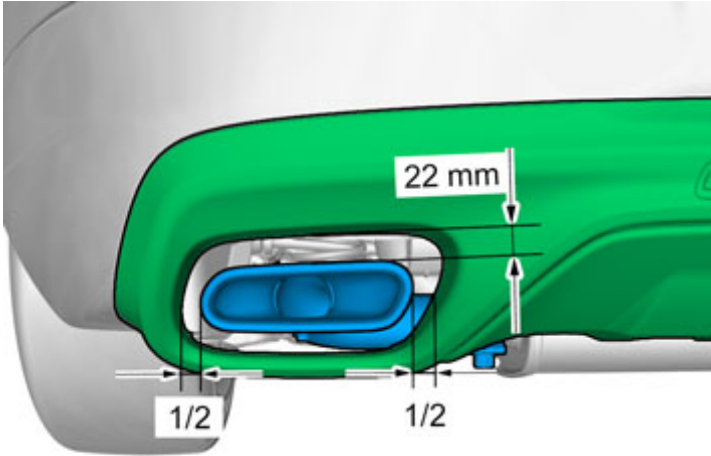
IMG-371885

Note!
Only tighten the bolt finger tight at this stage.

Installation instructions, accessories

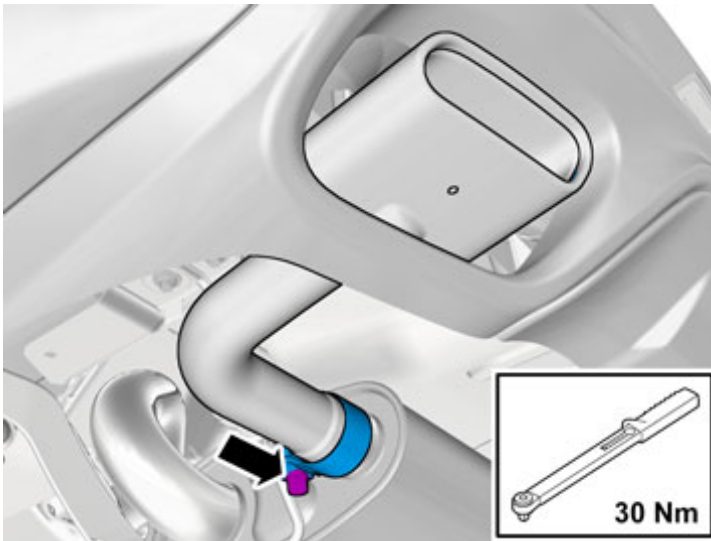
Volvo Car Corporation Gothenburg, Sweden

32



IMG-355817

33



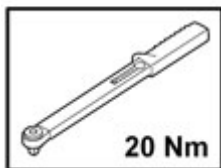
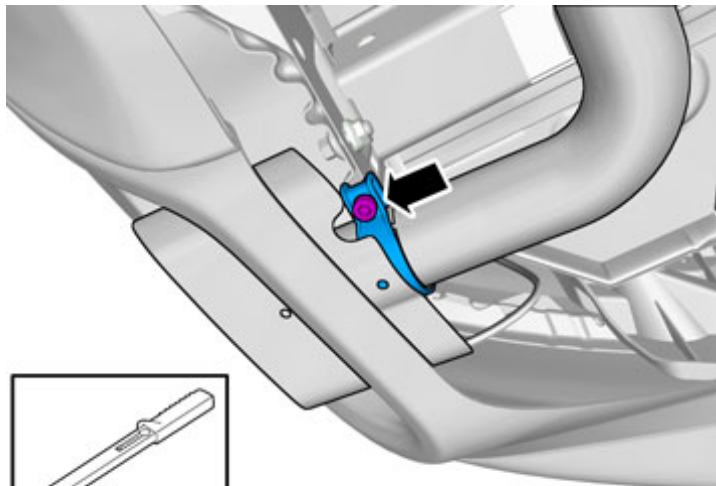
Tighten the nut.

IMG-372077

Installation instructions, accessories

Volvo Car Corporation Gothenburg, Sweden

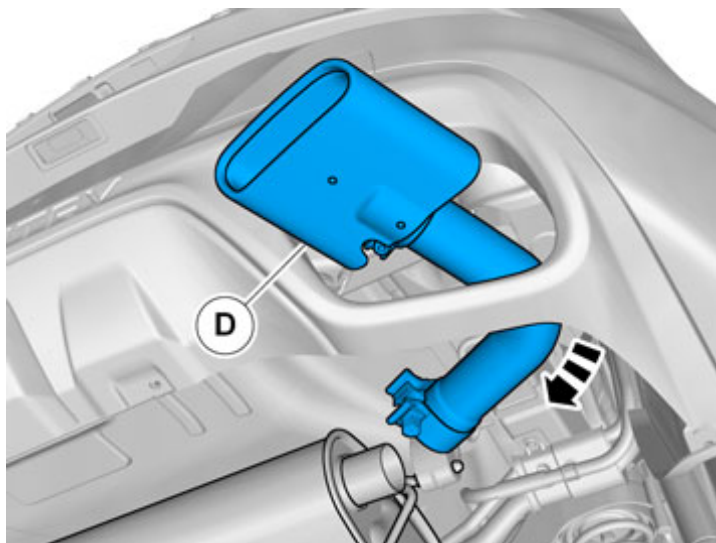
34



IMG-372001

Tighten the screw.

35



IMG-372022

Caution!

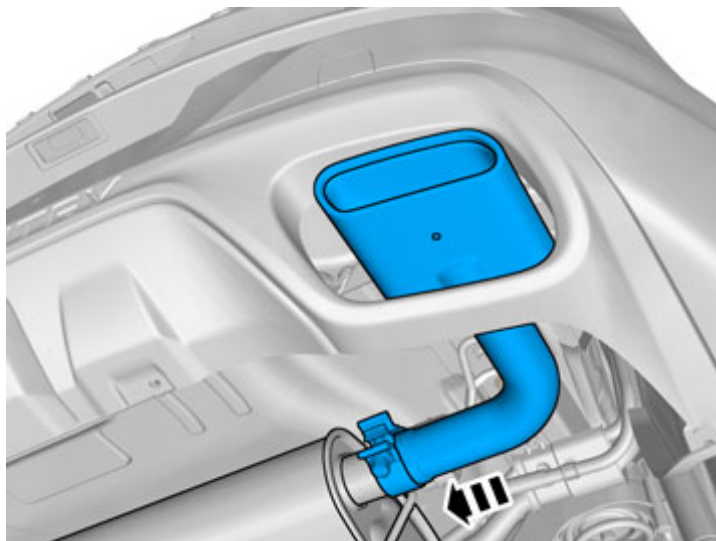
Make sure not to damage painted surfaces.

Install component that comes with the accessory kit.

Installation instructions, accessories

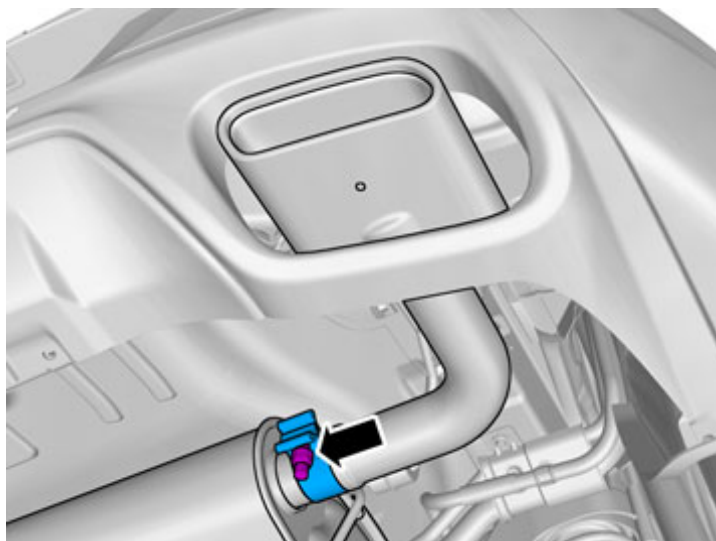
Volvo Car Corporation Gothenburg, Sweden

36



IMG-372010

37



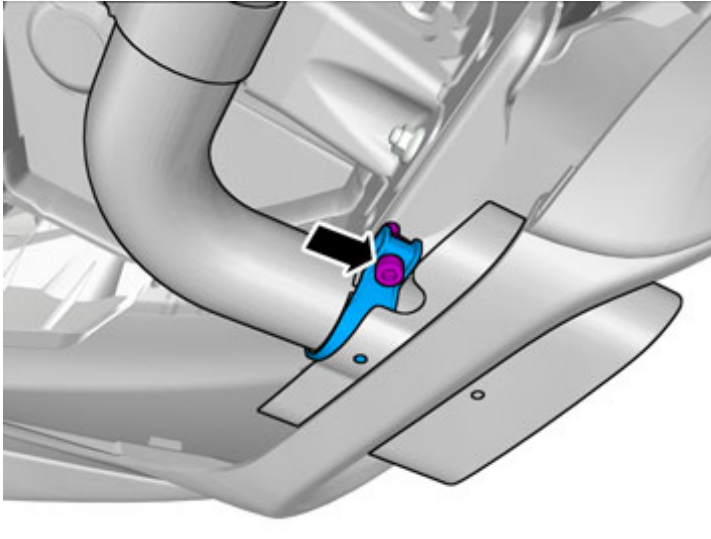
IMG-372016

Note!
Do not fully tighten the nut yet.

Installation instructions, accessories

Volvo Car Corporation Gothenburg, Sweden

38



IMG-371896

Loosen the screws.

39

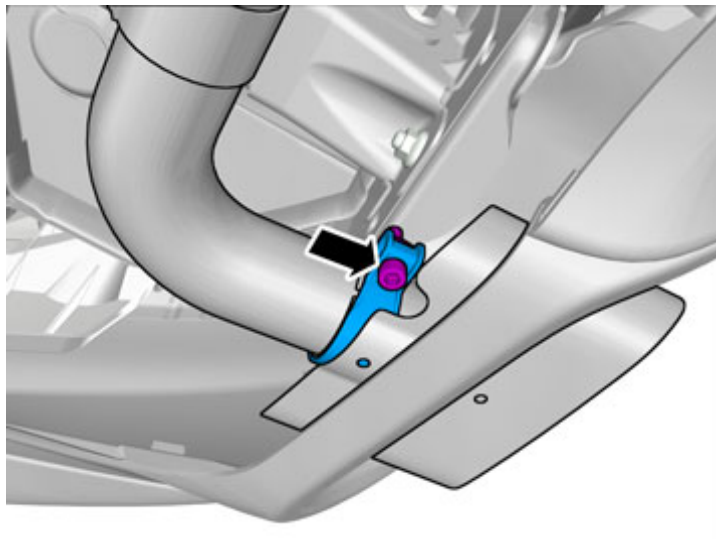


IMG-357911

Installation instructions, accessories

Volvo Car Corporation Gothenburg, Sweden

40

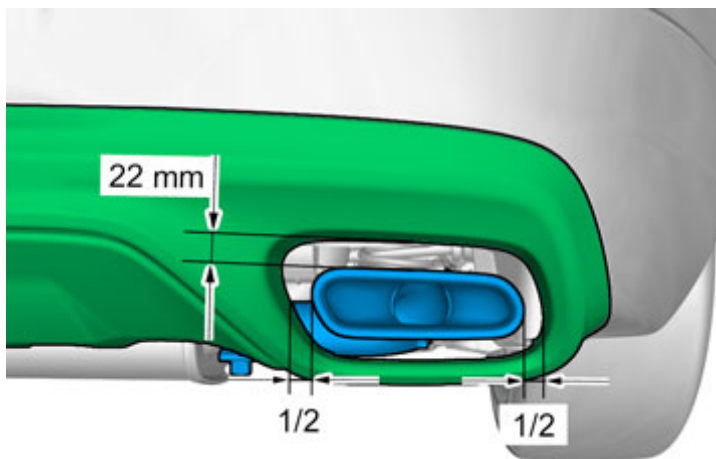


IMG-371896

Note!

Only tighten the bolt finger tight at this stage.

41

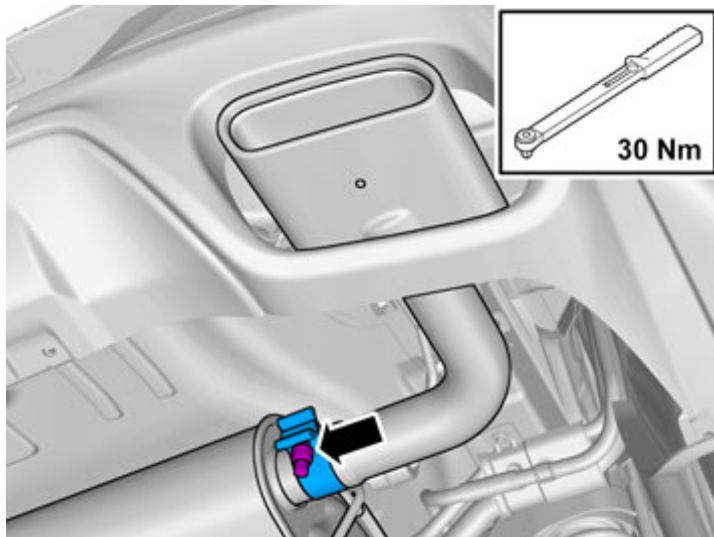


IMG-357912

Installation instructions, accessories

Volvo Car Corporation Gothenburg, Sweden

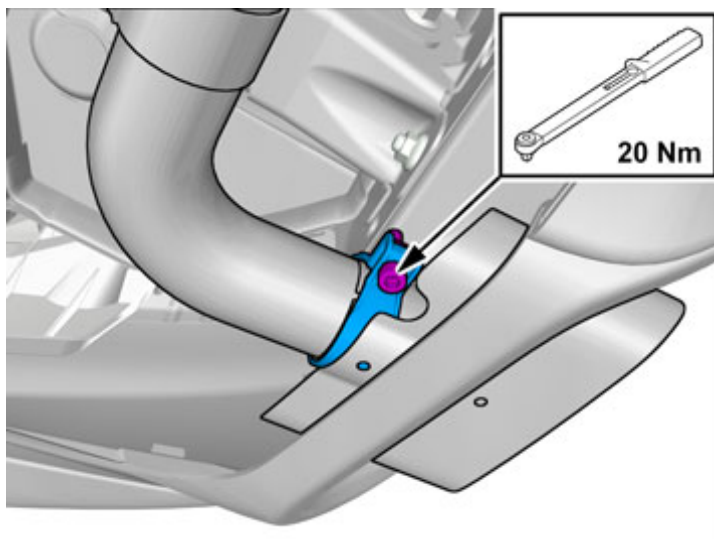
42



IMG-372018

Tighten the nut.

43



IMG-357917

Tighten the screw.