



Installation instructions, accessories

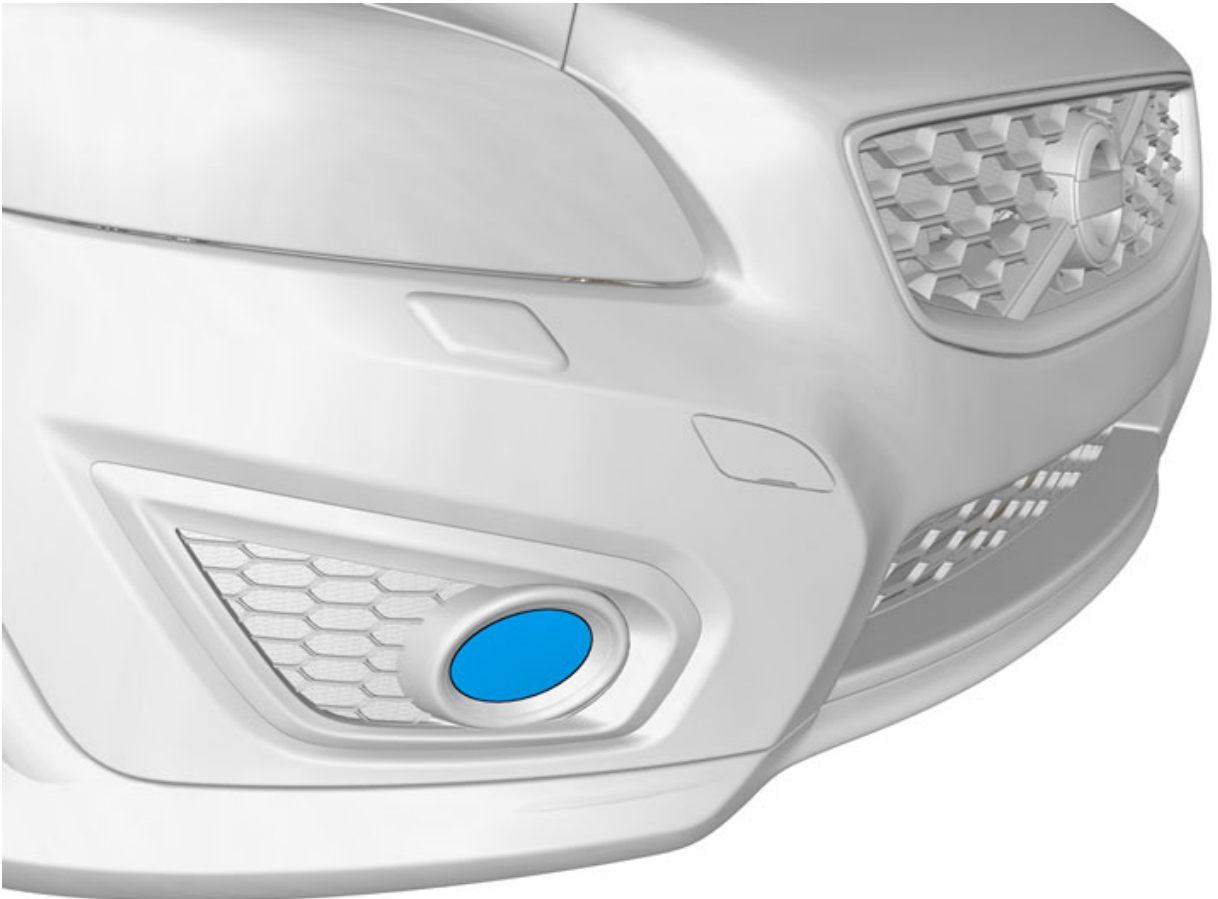
Volvo Car Corporation Gothenburg, Sweden

Instruction No
31330683

Version
1.0

Part. No.
31330688, 31330689

Daytime Running Light LED



IMG-348898

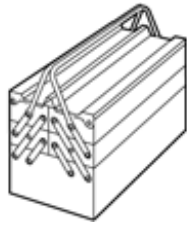


Installation instructions, accessories

Volvo Car Corporation Gothenburg, Sweden

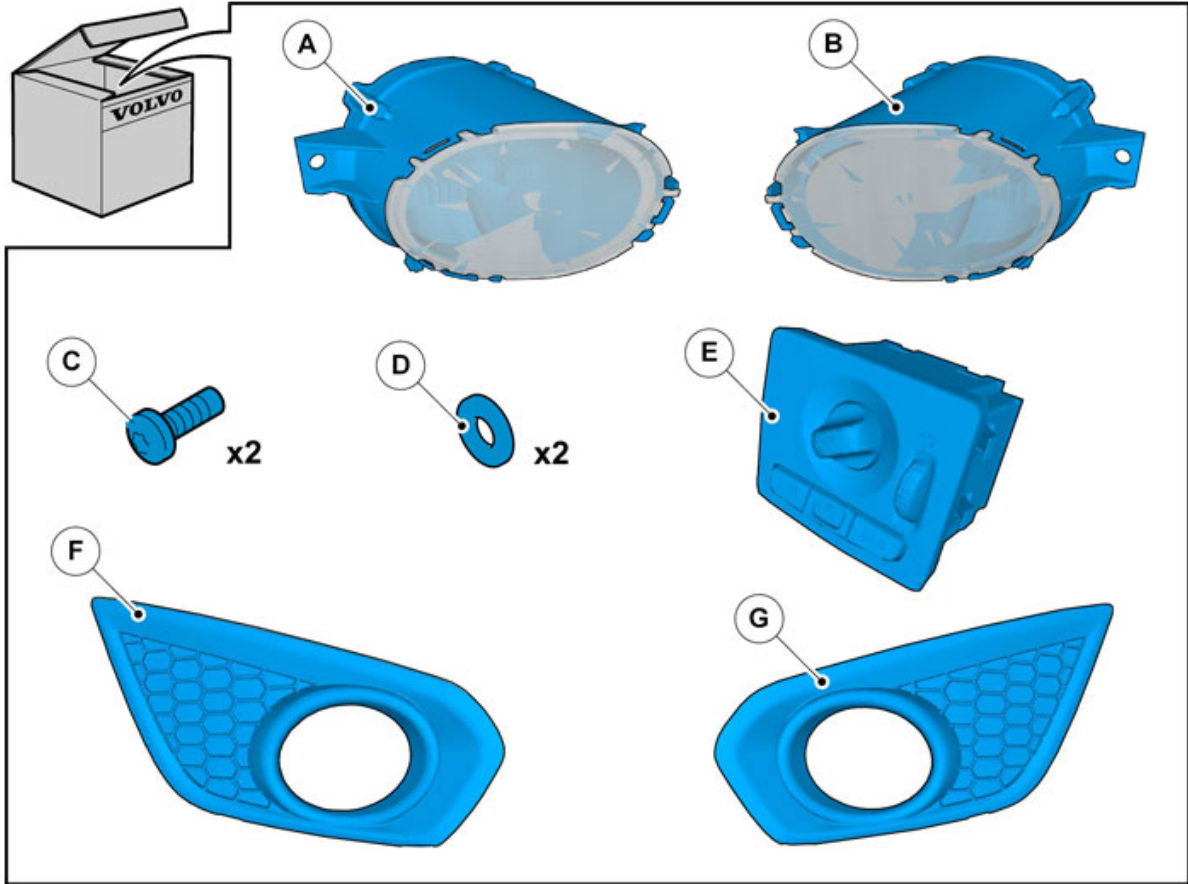
Equipment

VIDA



IMG-242205

IMG-345497

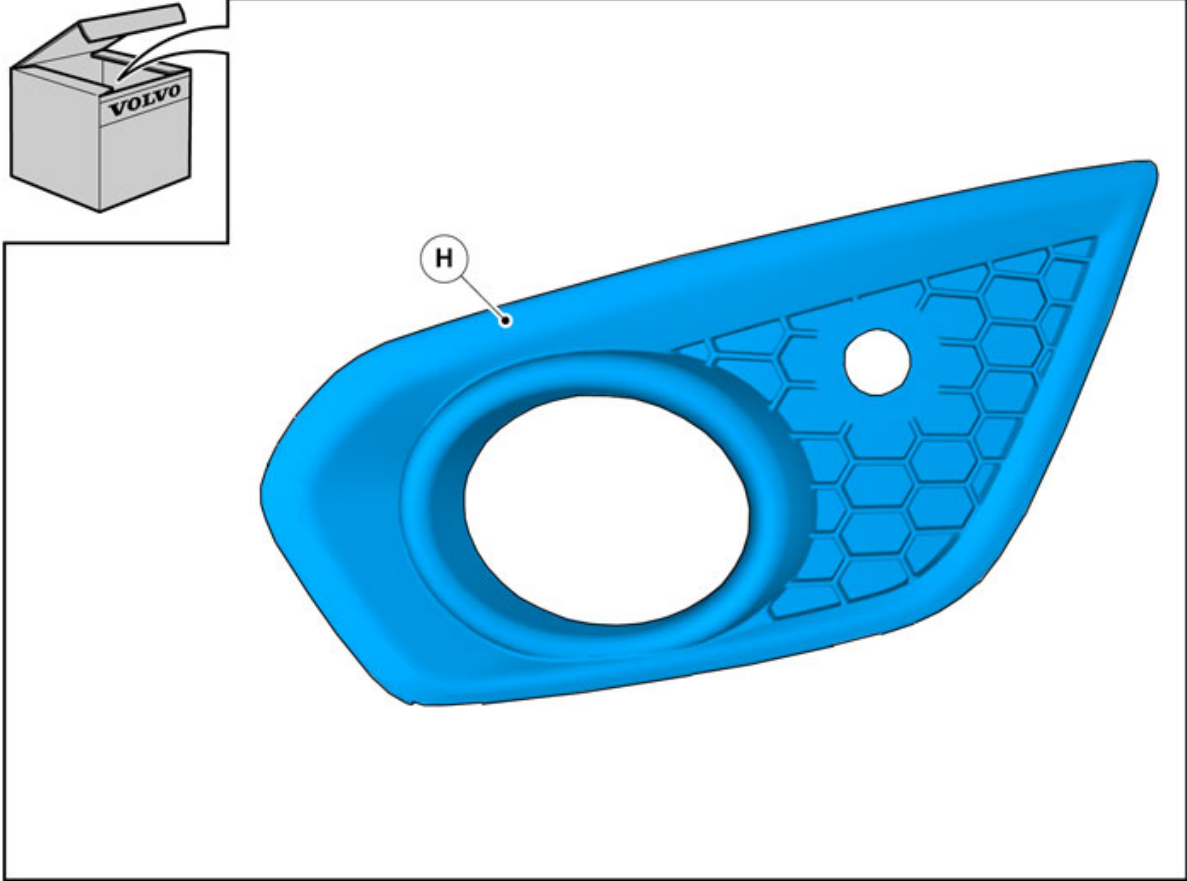


IMG-349152



Installation instructions, accessories

Volvo Car Corporation Gothenburg, Sweden



IMG-349696



Installation instructions, accessories

Volvo Car Corporation Gothenburg, Sweden

Information

1

Read through all of the instructions before starting installation.

Notifications and warning texts are for your safety and to minimise the risk of something breaking during installation.

Ensure that all tools stated in the instructions are available before starting installation.

Certain steps in the instructions are only presented in the form of images. Explanatory text is also given for more complicated steps.

In the event of any problems with the instructions or the accessory, contact your local Volvo dealer.

Conditions

2

Set the ignition key to position 0.



IMG-332193

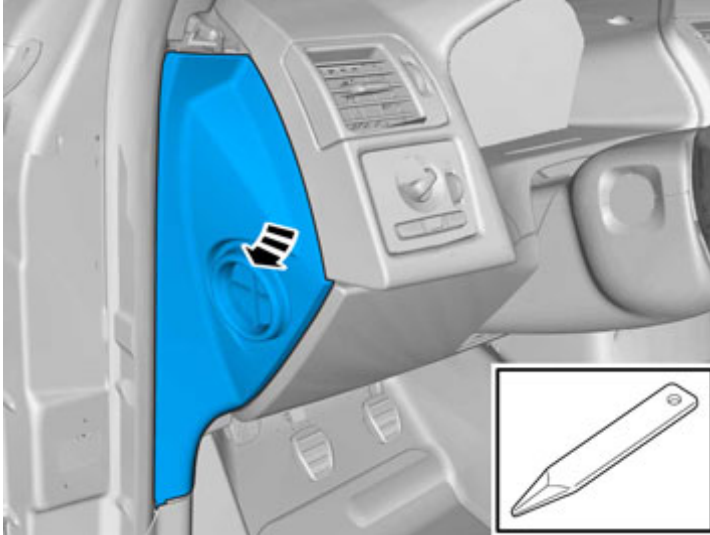
Removal



Installation instructions, accessories

Volvo Car Corporation Gothenburg, Sweden

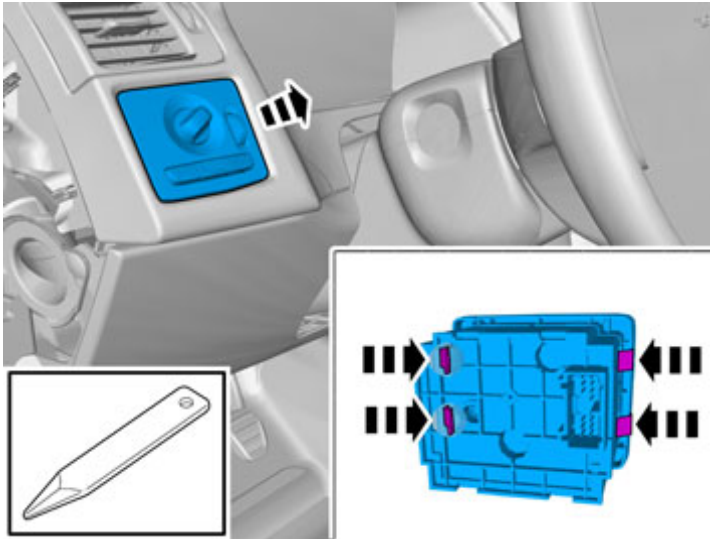
3



IMG-328423

Remove the panel.

4



IMG-328424

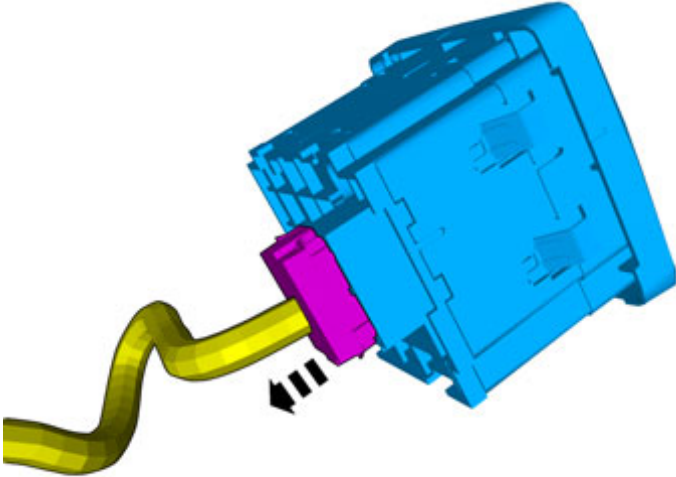


Installation instructions, accessories

Volvo Car Corporation Gothenburg, Sweden

5

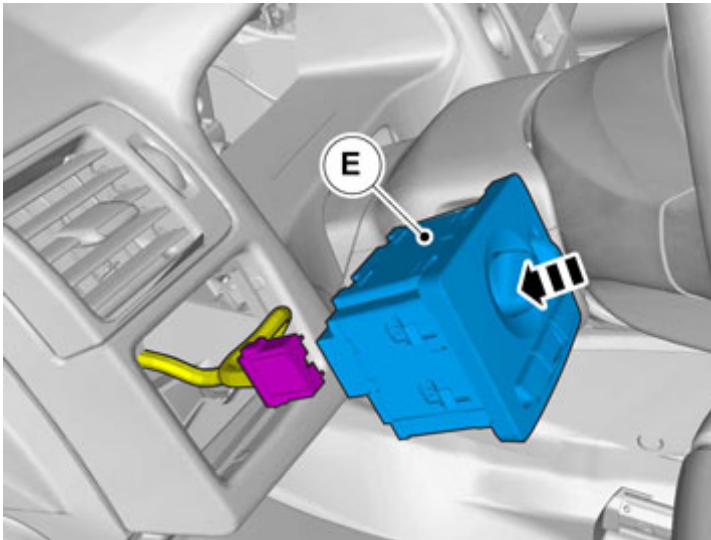
Disconnect the connector.



IMG-328425

Accessory installation

6



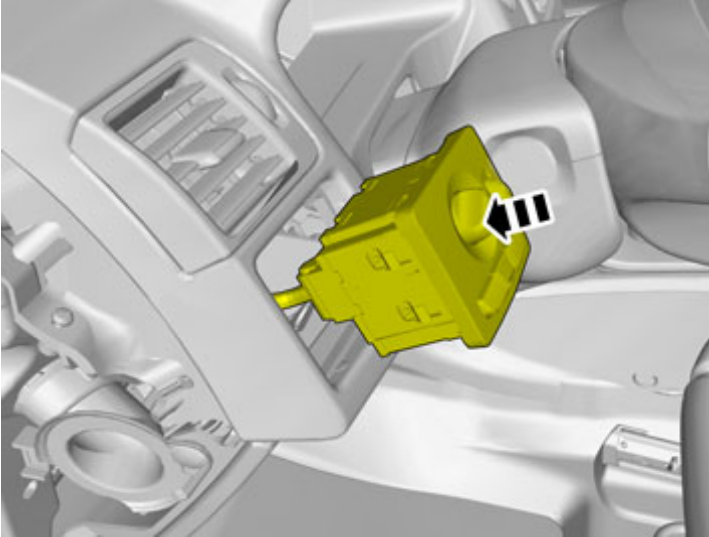
IMG-328426



Installation instructions, accessories

Volvo Car Corporation Gothenburg, Sweden

7



IMG-328428

Reinstall the removed parts in reverse order.

Removal

Vehicles with Electric Engine Heater

8



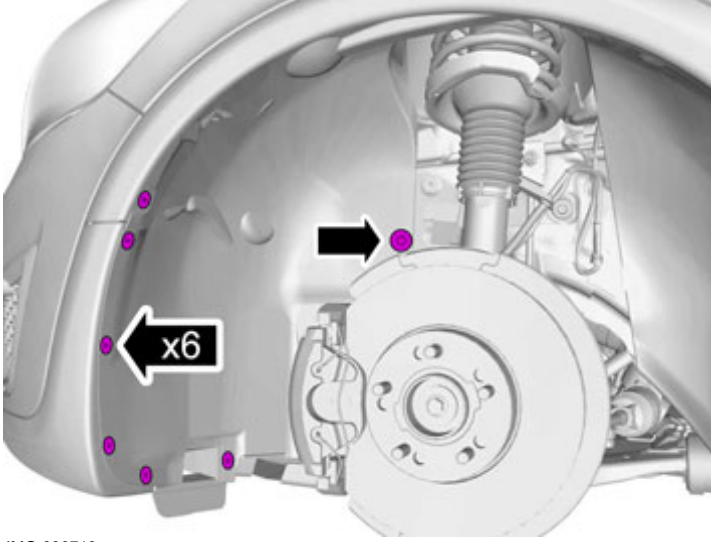
IMG-330712



Installation instructions, accessories

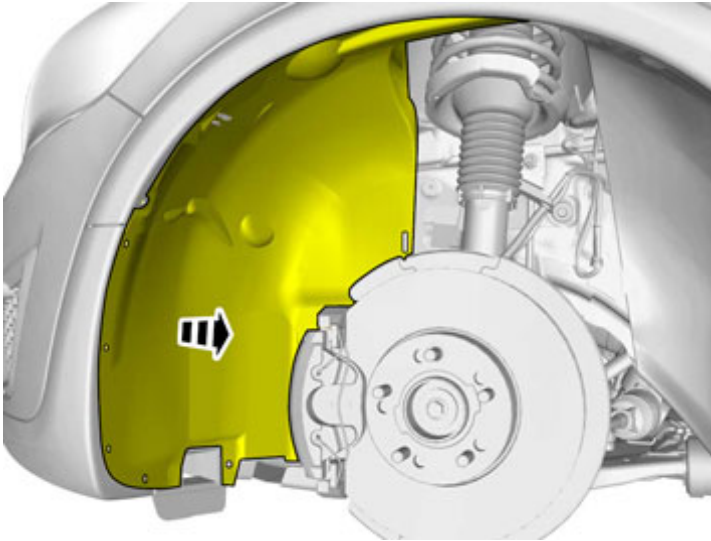
Volvo Car Corporation Gothenburg, Sweden

9



IMG-330713

10



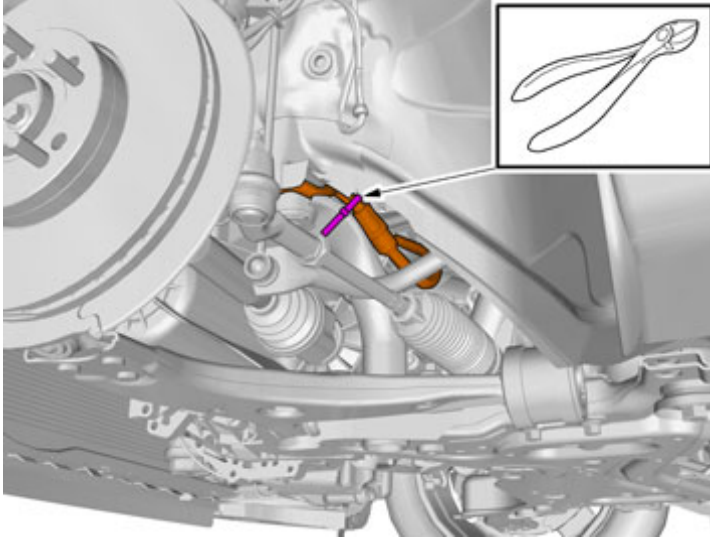
IMG-330714



Installation instructions, accessories

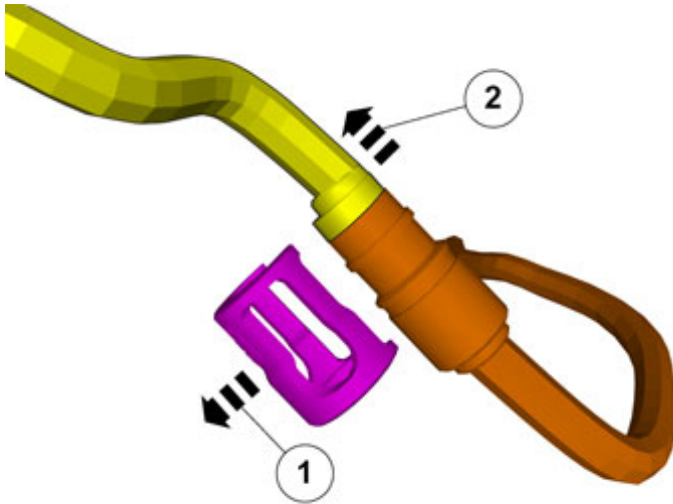
Volvo Car Corporation Gothenburg, Sweden

11



IMG-330716

12



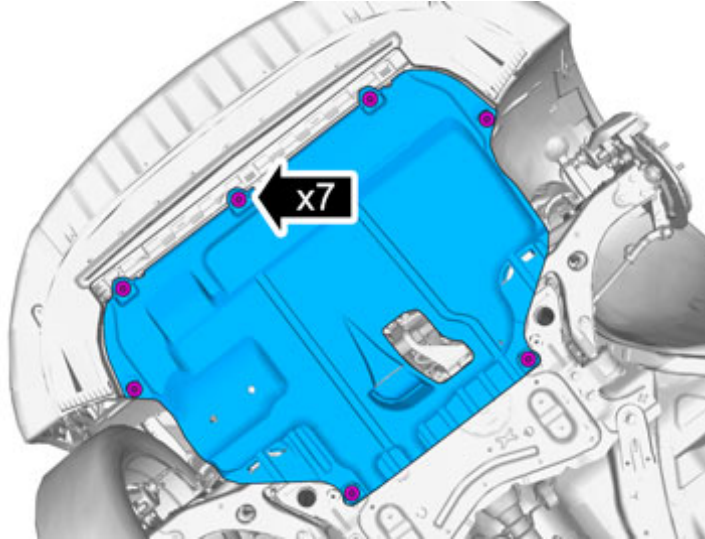
IMG-330717



Installation instructions, accessories

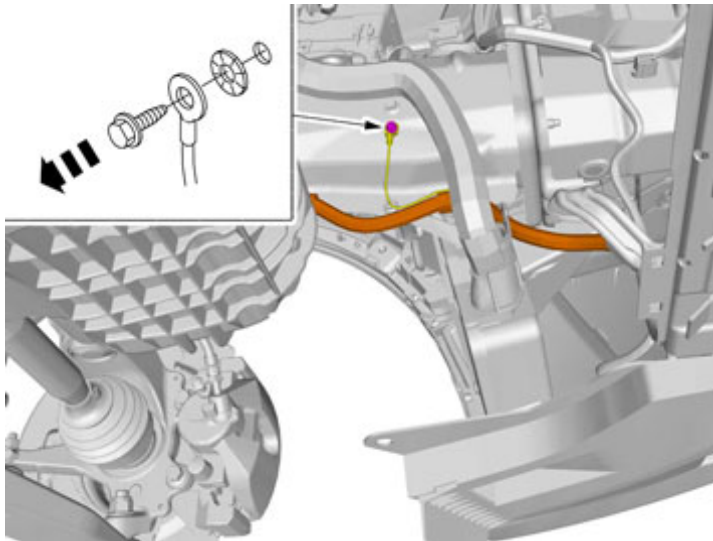
Volvo Car Corporation Gothenburg, Sweden

13



IMG-331046

14



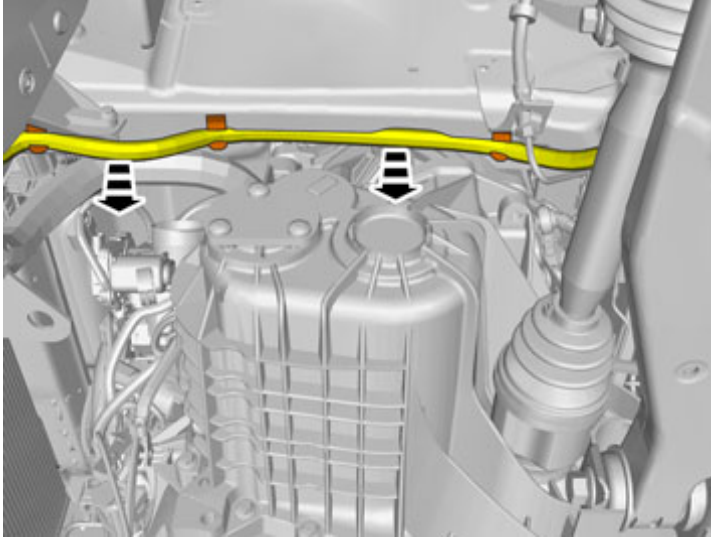
IMG-330718



Installation instructions, accessories

Volvo Car Corporation Gothenburg, Sweden

15



IMG-330715

16



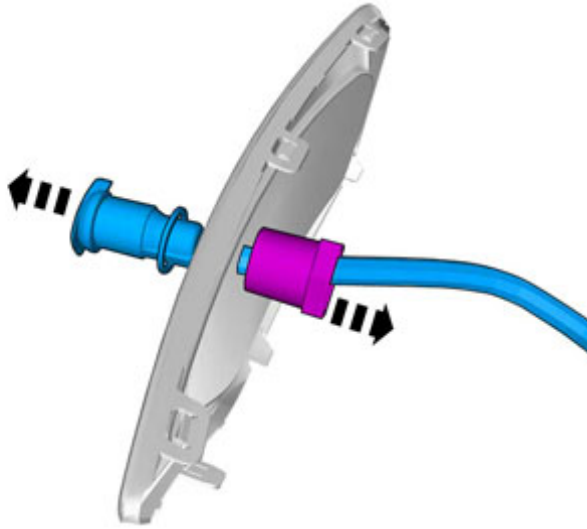
IMG-330720



Installation instructions, accessories

Volvo Car Corporation Gothenburg, Sweden

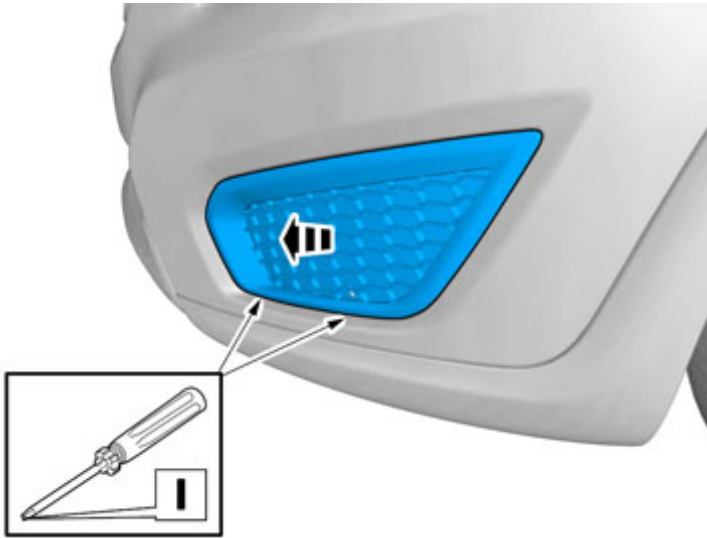
17



IMG-348914

All vehicles

18



IMG-328433

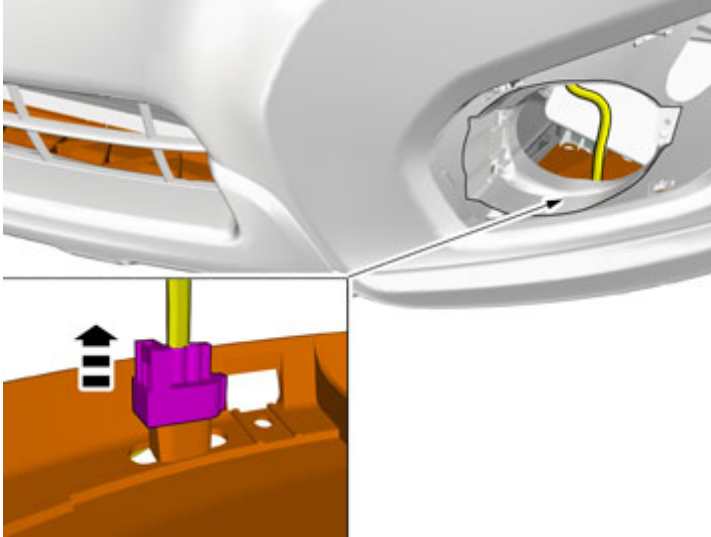
Installation



Installation instructions, accessories

Volvo Car Corporation Gothenburg, Sweden

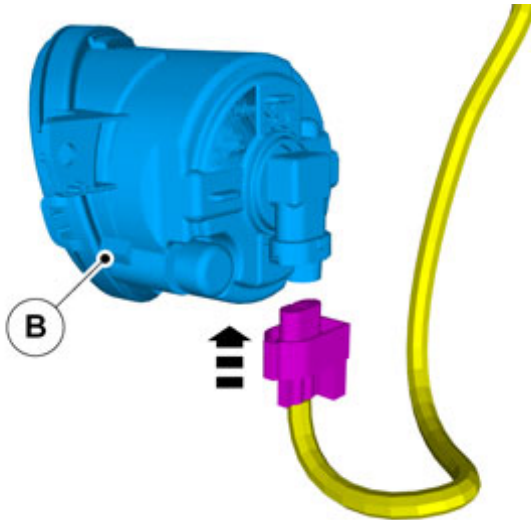
19



IMG-328434

Locate the pre-routed connector.

20



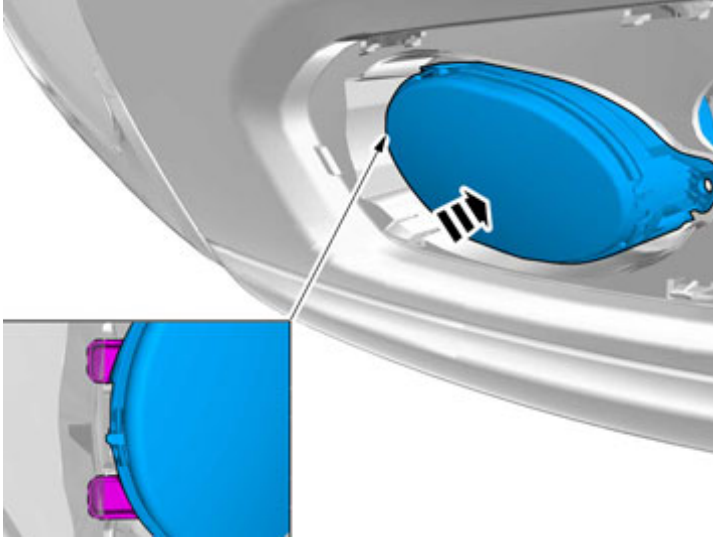
IMG-328435



Installation instructions, accessories

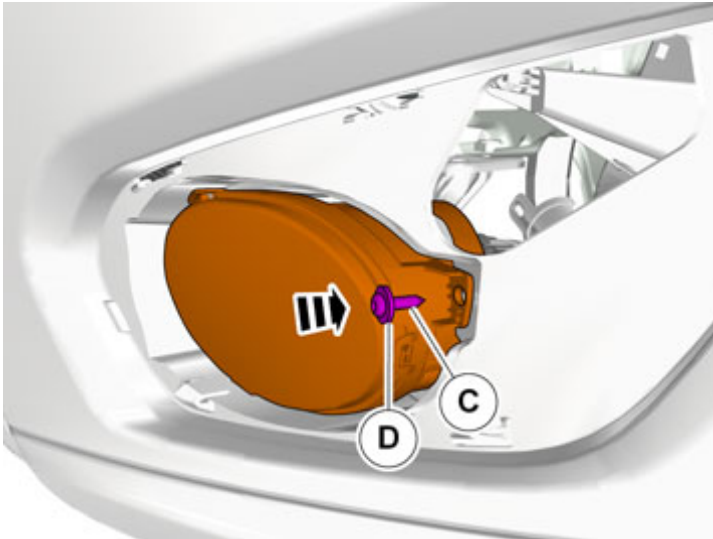
Volvo Car Corporation Gothenburg, Sweden

21



IMG-348912

22



IMG-328438



Installation instructions, accessories

Volvo Car Corporation Gothenburg, Sweden

23

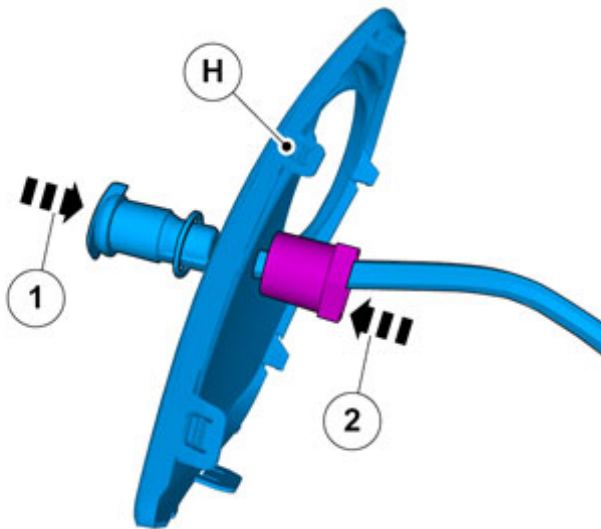


Repeat the steps when installing on opposite side.

IMG-328441

Vehicles with Electric Engine Heater

24



IMG-330739



Installation instructions, accessories

Volvo Car Corporation Gothenburg, Sweden

25



Reinstall the removed parts in reverse order.

IMG-330740

26



Tightening torque: Wheel to wheel hub
Stage 1: 20 Nm
Stage 2: 130 Nm

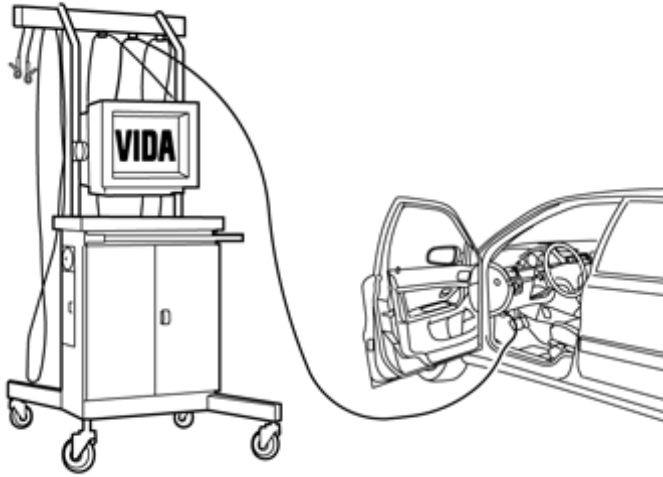
IMG-330741



Installation instructions, accessories

Volvo Car Corporation Gothenburg, Sweden

27



IMG-242268

Download software (application) for the accessory's function according to the service information in VIDA. See VIDA or the accessories catalogue for software part number.