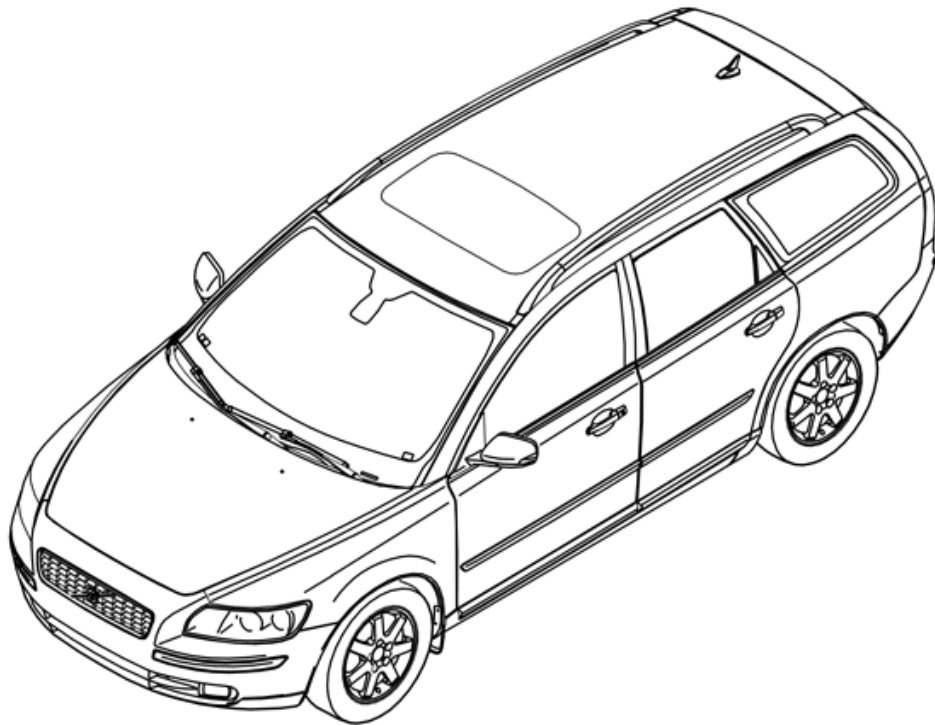


Installation instructions, accessories

Volvo Car Corporation Gothenburg, Sweden

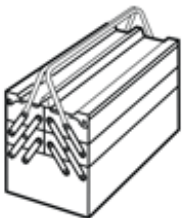
Instruction No **Version** **Part. No.**
8685942 1.0

Rails



J8401014

Equipment



A0000162

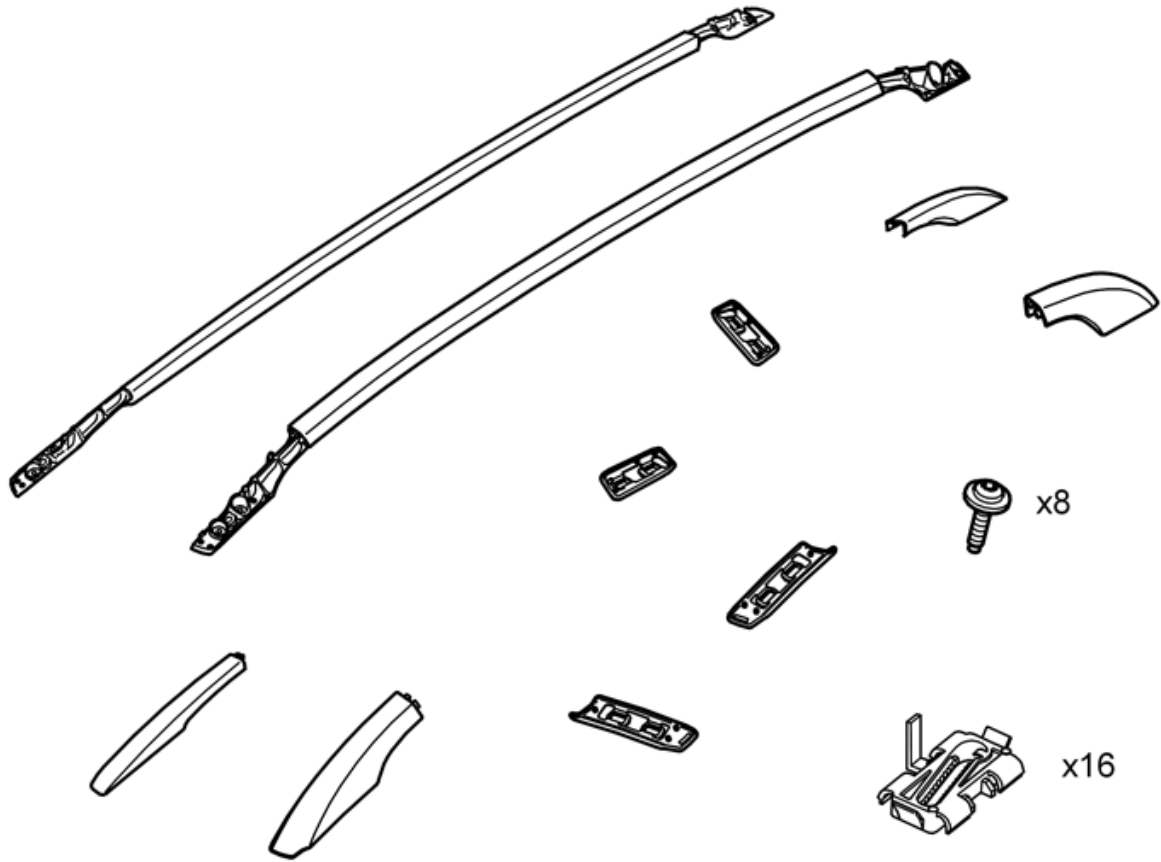


Nm
lbf.ft

A0000161

Installation instructions, accessories

Volvo Car Corporation Gothenburg, Sweden



J8401006

Installation instructions, accessories

Volvo Car Corporation Gothenburg, Sweden

INTRODUCTION

Read through all of the instructions before starting installation.

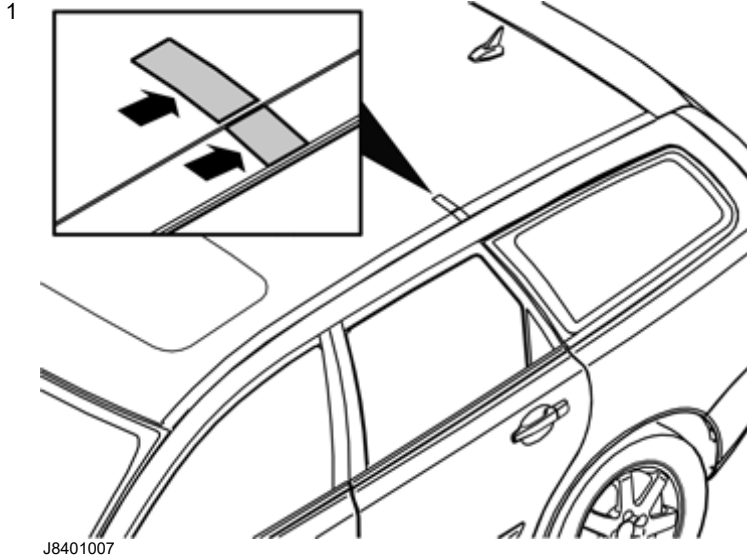
Notifications and warning texts are for your safety and to minimise the risk of something breaking during installation.

Ensure that all tools stated in the instructions are available before starting installation.

Certain steps in the instructions are only presented in the form of images. Explanatory text is also given for more complicated steps.

In the event of any problems with the instructions or the accessory, contact your local Volvo dealer.

Preparations



Preparations

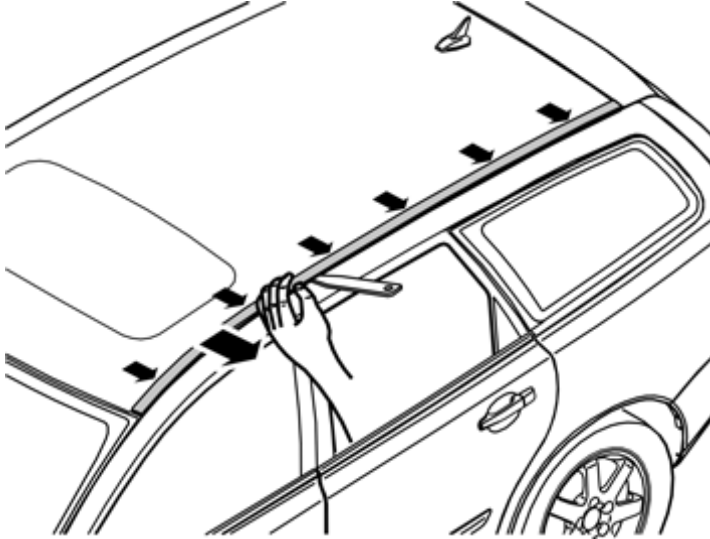
Clean the roof along the sides where the rails will be secured

Secure two pieces of tape opposite each other on the roof and roof trim strip to mark the position of the trim strip.

Installation instructions, accessories

Volvo Car Corporation Gothenburg, Sweden

2



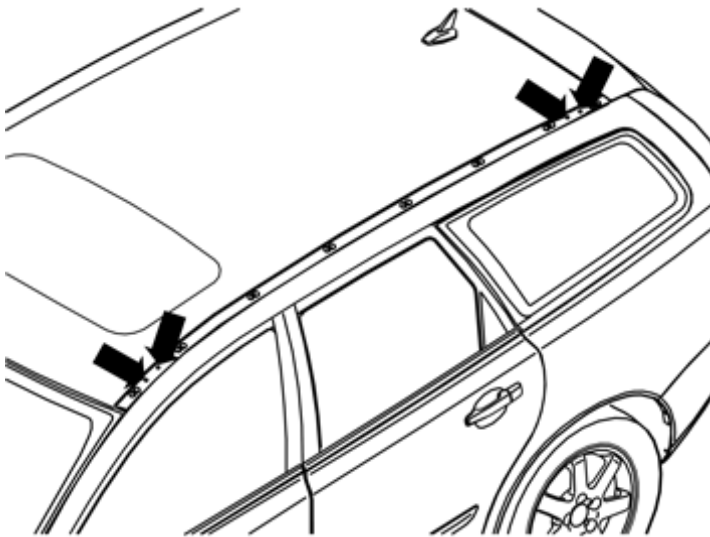
J8401054

Remove the roof trim (it is secured by eight clips). First grasp the inside using the finger tips of one hand and pull it out towards the edge of the roof. Then, use the other hand to carefully pry up the outer side using a plastic weatherstrip tool. Unhook the roof edge trim from the clips.

Note!

The roof trim is securely installed, therefore force is required to remove it. If necessary, lubricate the tip of the weatherstrip tool to facilitate removing the rubber strip. Use rubber lubricant, P/N 1161150-6. Do not damage the roof trim strip or painted surfaces.

3



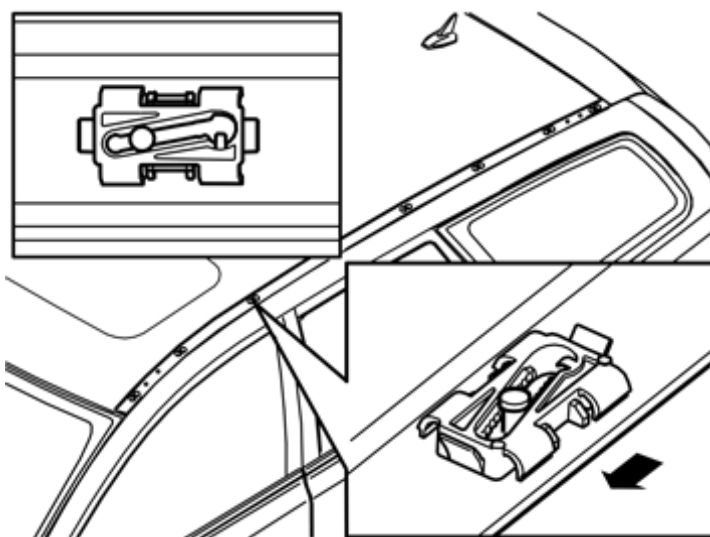
J8401009

Remove the four screws in the roof joint and put them to one side. They will not be used again

Clean the roof joint

Replace the clips holding the roof trim for new ones from the kit.

4A



J8401055

Replacing clips

Illustration A

Slide the clip until the T-shaped lug is in the large hole in the clip. Remove the clip.

Illustration B

Take the new clip from the kit. Position the clip on the T-shaped lug with the large hole turned to the rear for the left-hand side. For the right-hand side, the large hole in the clip must be turned to the front.

Illustration C

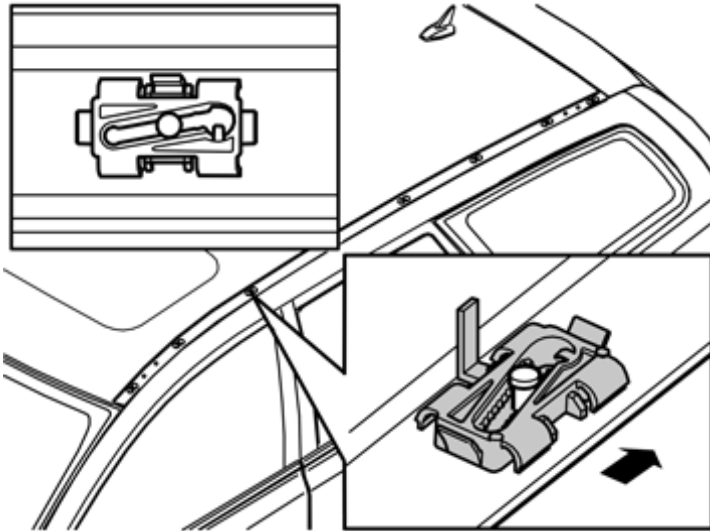
Slide the clip backwards / forwards until the vertical pin in the clip is against the inner vertical edge of the roof joint.

Illustration D

Installation instructions, accessories

Volvo Car Corporation Gothenburg, Sweden

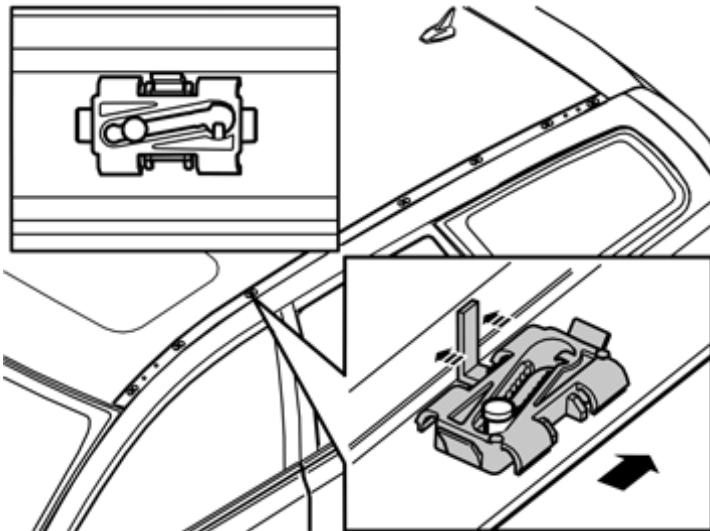
4B



Pry off the clip pin.

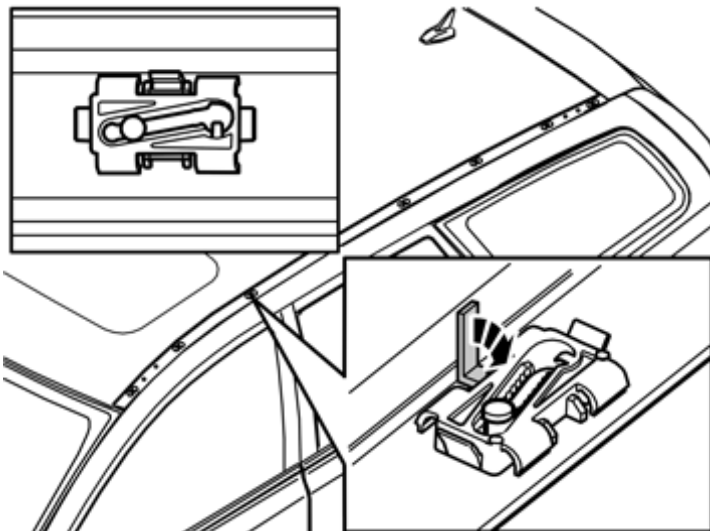
J8401060

4C



J8401061

4D

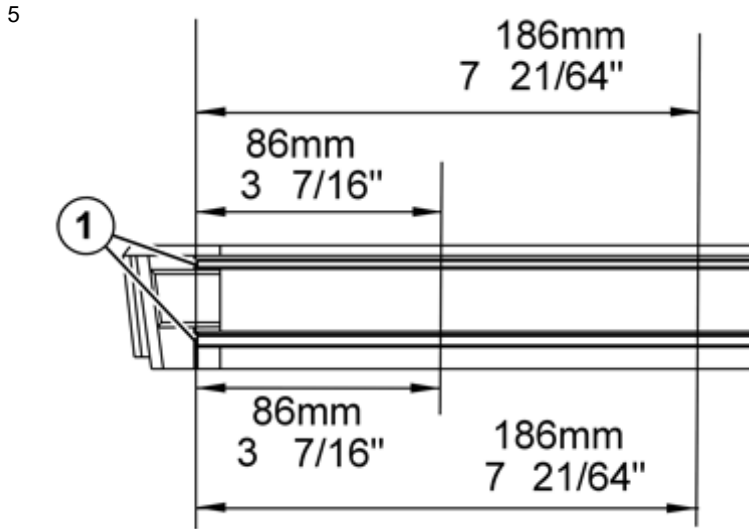


J8401062

Installation instructions, accessories

Volvo Car Corporation Gothenburg, Sweden

Cutting the roof trim



J8401011

Cutting the roof trim

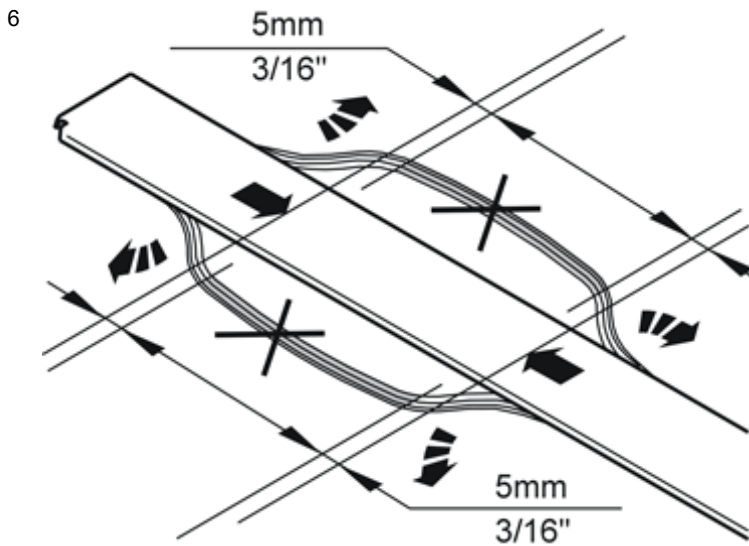
Cutting the front edge, right-hand roof trim

Note!

Do not damage the painted roof trims. They scratch easily.

Measure the front edge of the right-hand roof trim for cutting as illustrated. Measure from the ends (1) of the two profiles on the inside of the roof trim

Mark the same dimensions on top of the two profiles and at the sides so that the cut on the top of the roof trim can be marked.



J8401164

Carefully mark the top of the roof trim where it will be cut

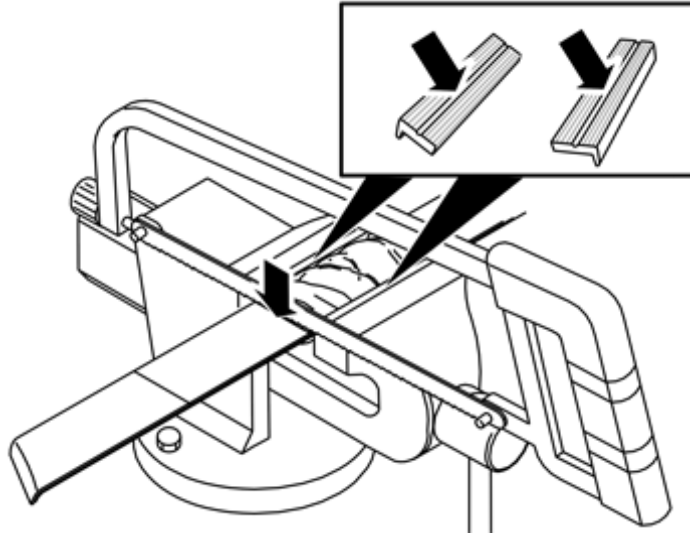
Pull off the rubber strip between the markings on both sides of the roof trim strip so that the rubber strips can be cut off

Cut the rubber strips so that they protrude approximately 5mm (3/16 ") from the edge of the sections of the roof trim strip which are to remain in place.

Installation instructions, accessories

Volvo Car Corporation Gothenburg, Sweden

7



J8401000

Wrap the section of the roof trim to be secured in the vice. Use plenty of paper or cloth to protect the paintwork on the roof trim

Note!

Use jaw protectors with a recess in the centre on the vice.

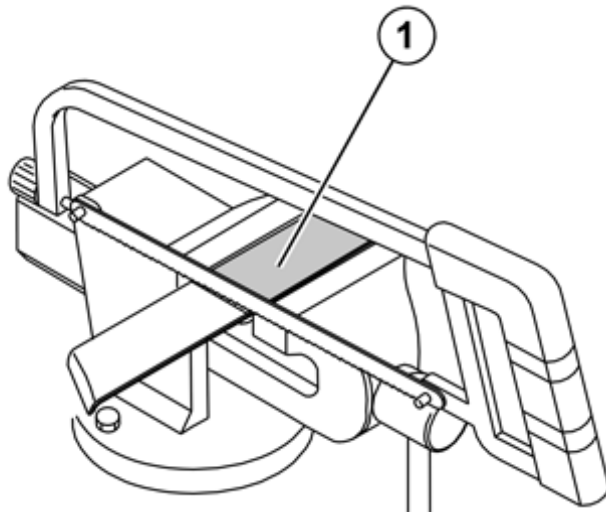
Position the roof trim in the recesses in the vice.

Note!

Do not over-tighten the vice or the roof trim may deform.

Carefully cut at the marking furthest in on the roof trim, gently pressing the roof trim. Hold the other end of the roof trim with your free hand to keep the trim stable whilst cutting.

8



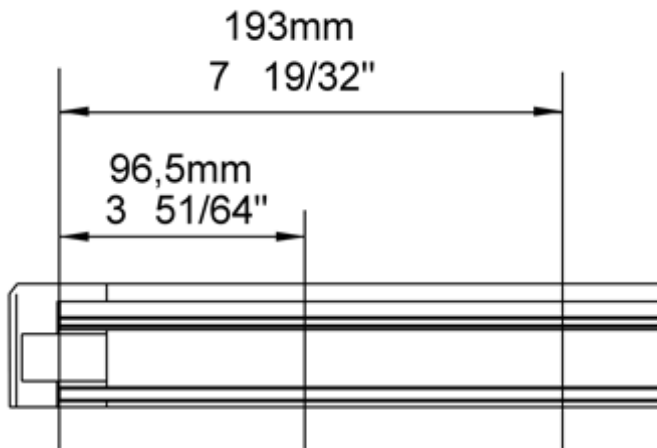
J8401002

Remove the long section of the roof trim from the vice

Secure the cut off section with the section (1) to be cut off in the vice

Cut the roof trim in the same way as in the previous point.

9



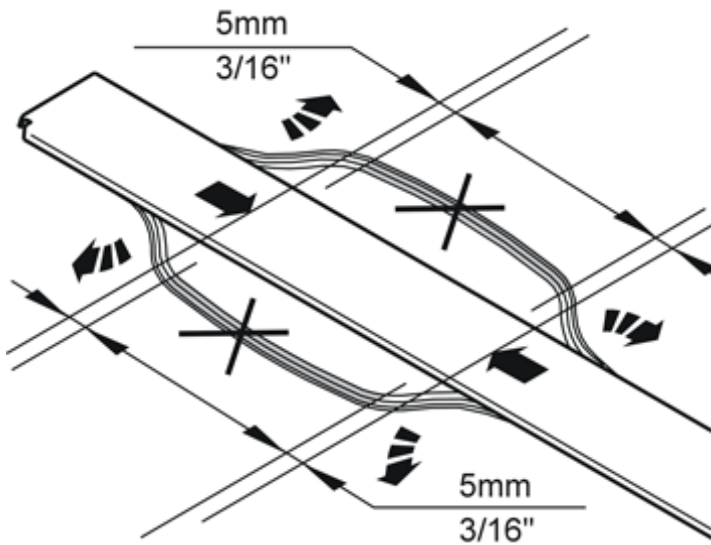
Cutting the rear edge, right-hand roof trim

Measure the rear edge of the right-hand roof trim for cutting as illustrated. Measure from the ends (1) of the two profiles on the inside of the roof trim

Then mark the same dimensions on top of the two profiles and at the sides so that the cut on the top of the roof trim can be marked.

J8401010

10



Carefully mark the top of the roof trim where it will be cut

Pull off the rubber strip between the markings on both sides of the roof trim strip so that the rubber strips can be cut off

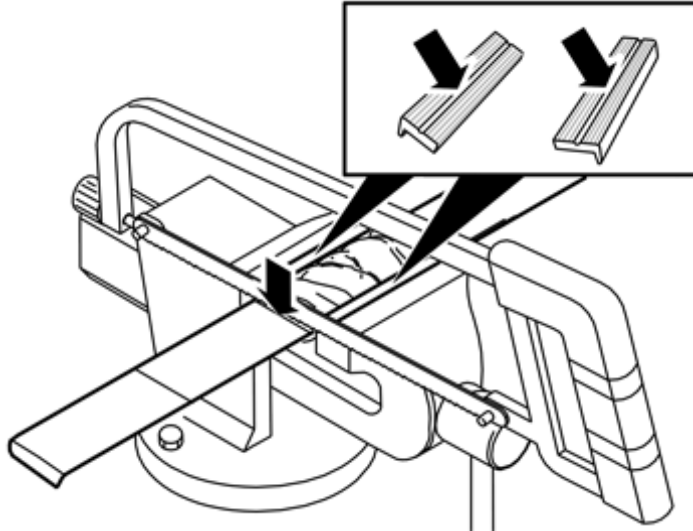
Cut the rubber strips so that they protrude approximately 5mm (3/16 ") from the edge of the sections of the roof trim strip which are to remain in place.

J8401164

Installation instructions, accessories

Volvo Car Corporation Gothenburg, Sweden

11



J8400999

Wrap the section of the roof trim to be secured in the vice. Use plenty of paper or cloth to protect the paintwork on the roof trim

Note!

Use jaw protectors with a recess in the centre on the vice.

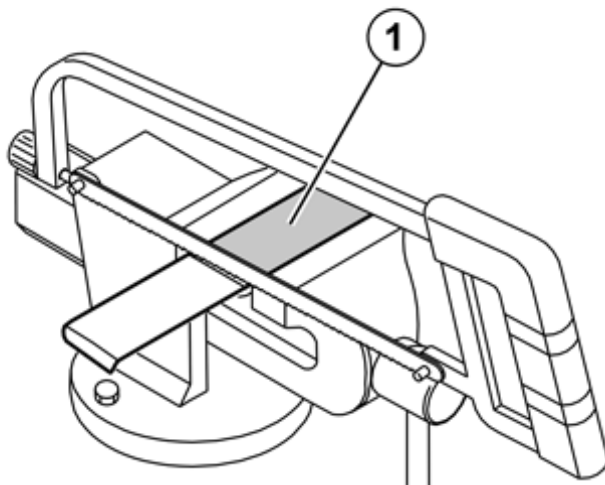
Position the roof trim in the recesses in the vice.

Note!

Do not over-tighten the vice or the roof trim may deform.

Carefully cut at the marking furthest in on the roof trim, gently pressing the roof trim. Hold the other end of the roof trim with your free hand to keep the trim stable whilst cutting.

12



J8401003

Remove the long section of the roof trim from the vice

Secure the cut off section with the section (1) to be cut off in the vice

Cut the roof trim in the same way as in the previous point.

13

Smooth off the two shorter end pieces and the long section of the roof trim. Use a fine toothed file

Remove the swarf from the different sections

Check that the rubber strips are seated in their grooves. If necessary use a small screwdriver to press the trim strips back into the grooves by the protruding ends

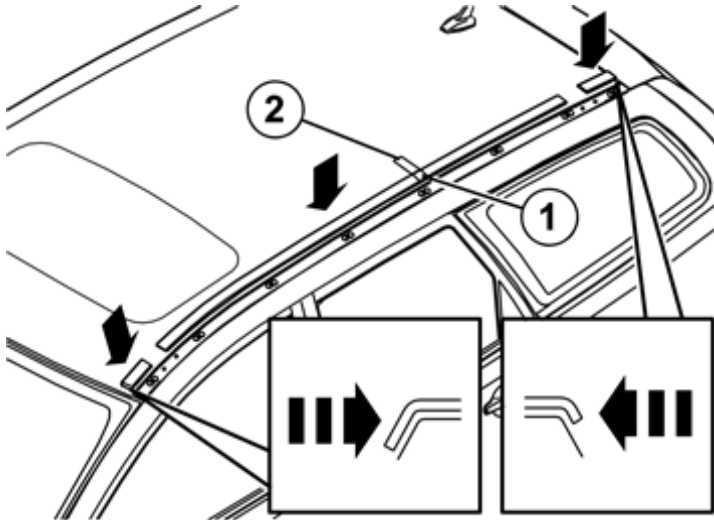
Repeat points 5-13 on the left-hand roof trim.

Installing the roof trim

Installation instructions, accessories

Volvo Car Corporation Gothenburg, Sweden

14

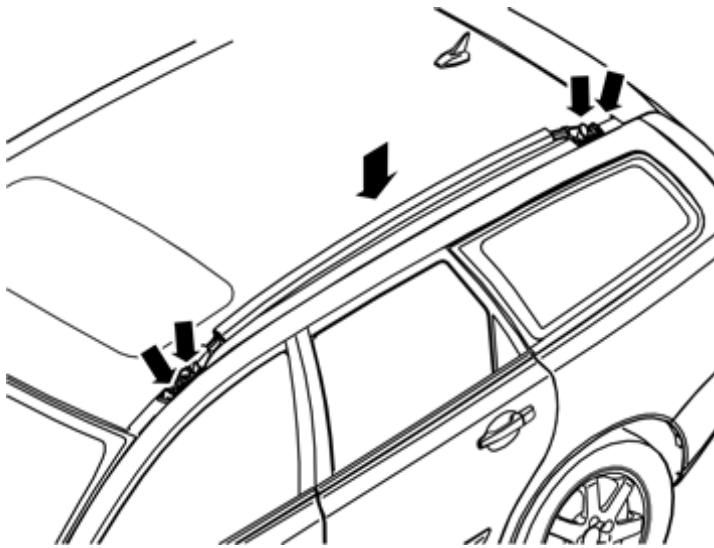


J8401012

Installing the roof trim

Press the cut sections of the roof trim into the clips in the roof joint. Check that the marking on the long roof trim (1) is opposite the marking on the roof (2). Also check that the front and rear angled ends of the roof trim align in the rounded section of the roof.

15



J8401013

Installing the rails

Installing the rails

Check that the rubber spacing is correctly positioned under the feet of the rails

Carefully position the rails over the holes in the roof joint

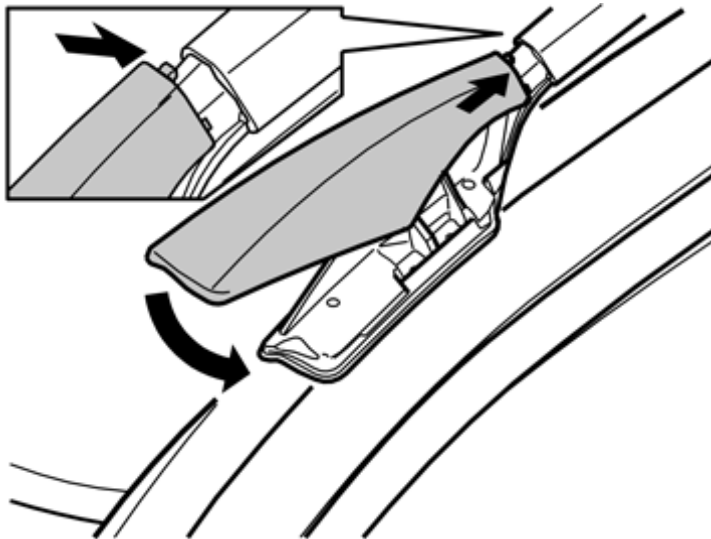
Install the screws from the kit

Tighten the screws alternately at the front and rear edges to prevent deformation. Tighten the screws. Tighten to 10 Nm (7.7 lbf.ft).

Installation instructions, accessories

Volvo Car Corporation Gothenburg, Sweden

16



M8400596

Install the cover on the front mounting for the rail

Insert the two locating pins for the cover in the rail, as illustrated

Fold the cover down towards the front mounting. Press it into place

Repeat the operation for the rear mounting cover

Remove the tape on the roof and the roof trim

Repeat on the other side.