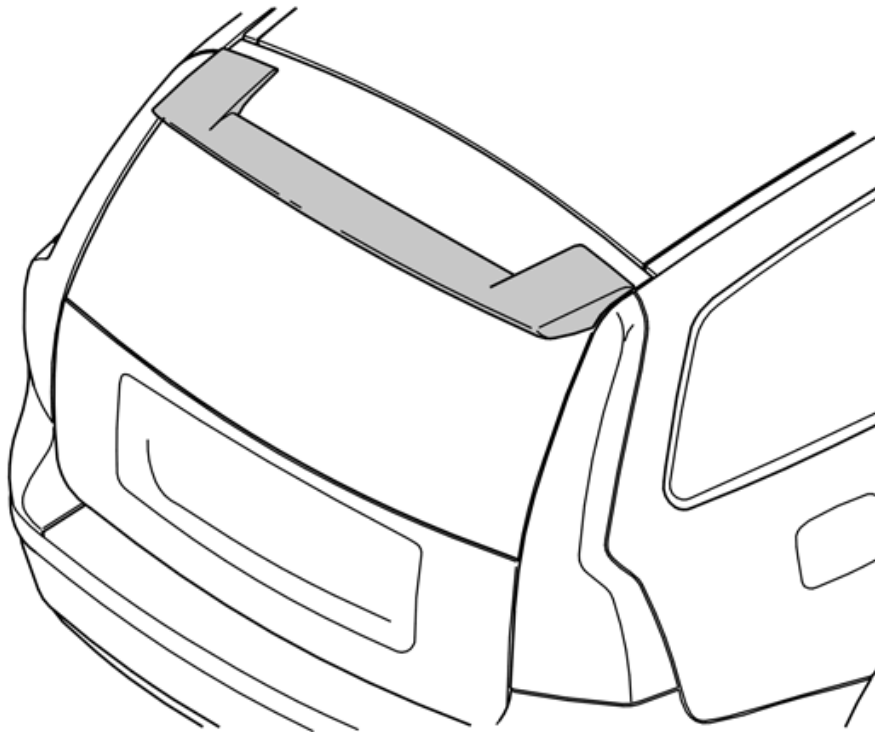


# Installation instructions, accessories

Volvo Car Corporation Gothenburg, Sweden

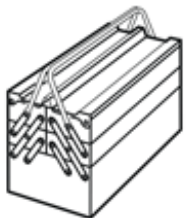
**Instruction No** 8698059    **Version** 1.0    **Part. No.**

## Roof spoiler



J8903235

### Equipment



A0000162



A0000163

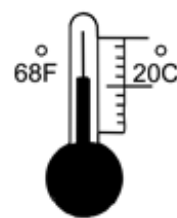


Nm  
lbf.ft

A0000161



A0000180



M0000232

2 h



A0000177

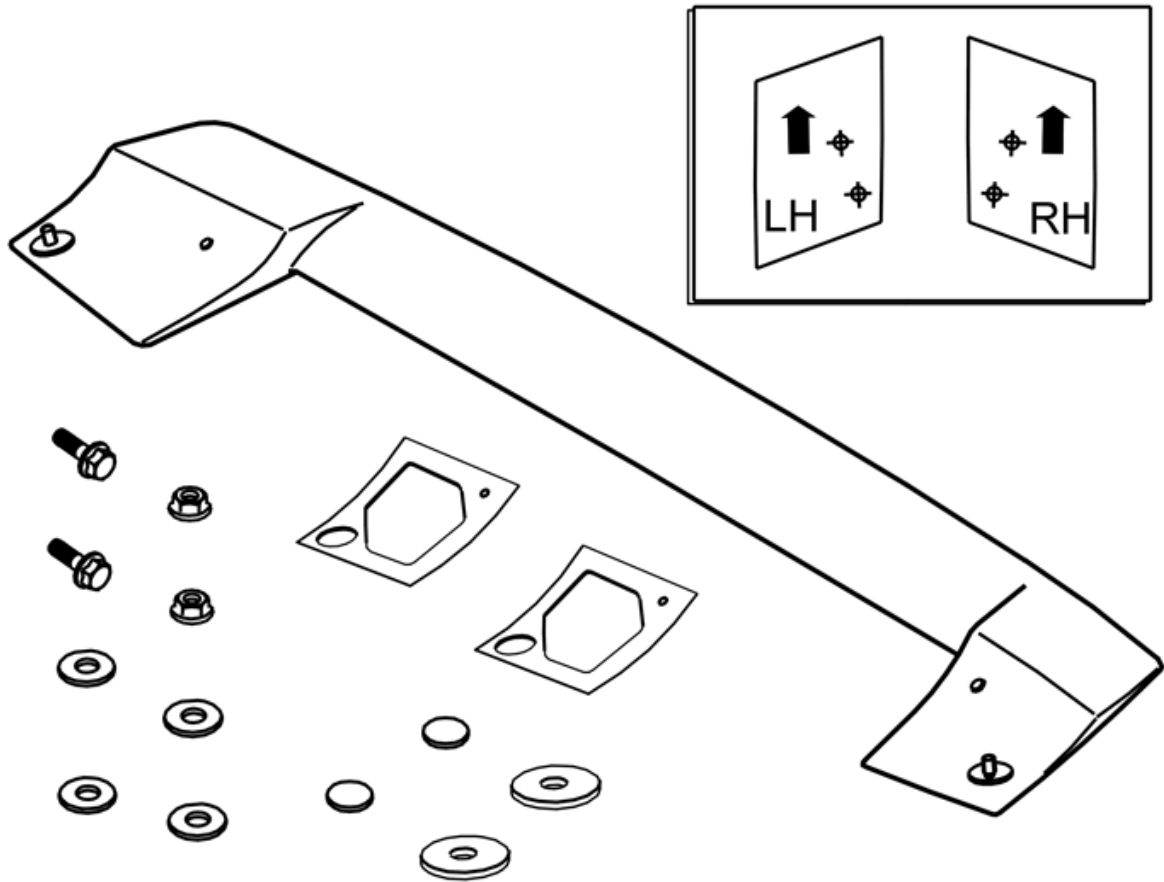
48h



# Installation instructions, accessories

Volvo Car Corporation Gothenburg, Sweden

A0000214



J8903223

# Installation instructions, accessories

Volvo Car Corporation Gothenburg, Sweden

## INTRODUCTION

Read through all of the instructions before starting installation.

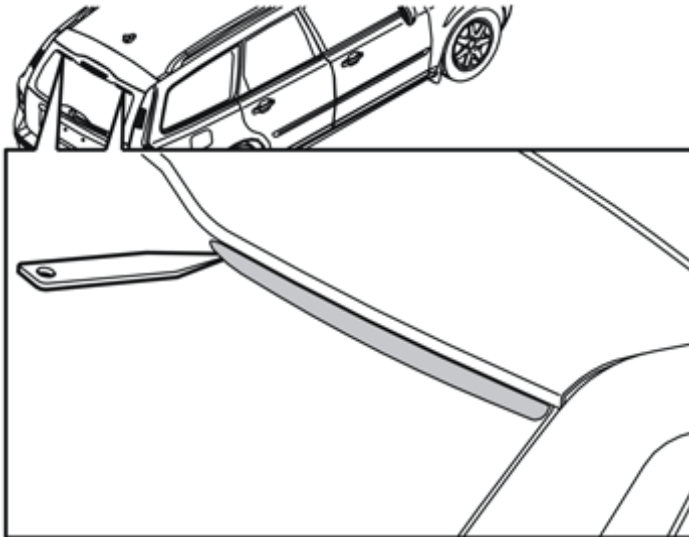
Notifications and warning texts are for your safety and to minimise the risk of something breaking during installation.

Ensure that all tools stated in the instructions are available before starting installation.

Certain steps in the instructions are only presented in the form of images. Explanatory text is also given for more complicated steps.

In the event of any problems with the instructions or the accessory, contact your local Volvo dealer.

1



J8903964

### **Applies to the V50 with minispoilers on the rear window**

Remove the spoilers from the rear window using a weatherstrip tool, they are secured with double-sided adhesive tape.

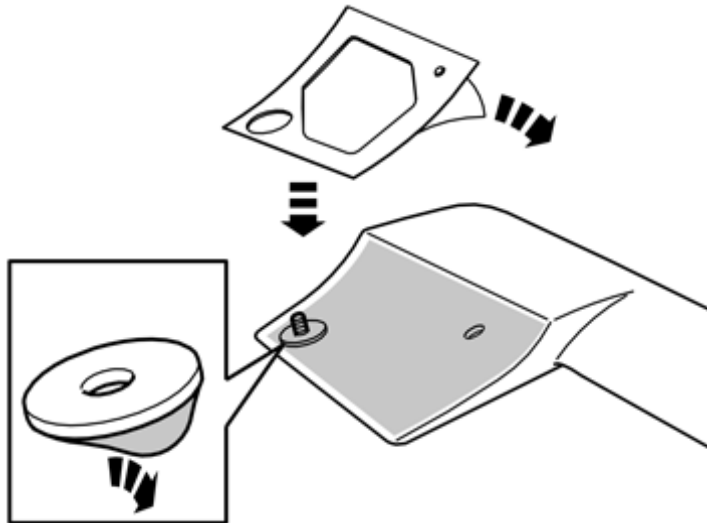
Take care not to scratch the window.

Clean the rear window of tape residue.

# Installation instructions, accessories

Volvo Car Corporation Gothenburg, Sweden

2



J8903229

## Applies to all models

Clean the mating surfaces of the spoiler against the tailgate. Use a mixture of 30% windscreen washer fluid and 70% water. Wipe dry.

Take the tape from the kit. Remove the thin backing tape. Press the tape firmly into place on the mating surfaces. Allow the thicker backing tape to remain in place.

Take the tape washers from the kit. Remove the thin backing tape. Allow the thicker backing tape to remain in place.

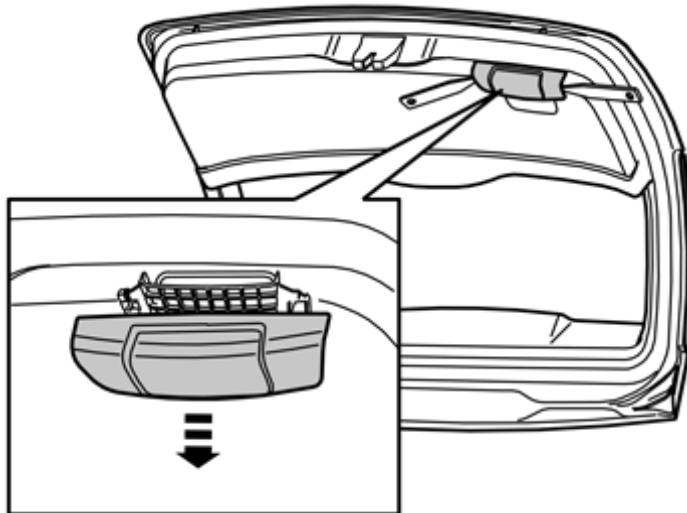
Press the tape properly into place on the projections on the spoiler where the studs are attached.

Spray paint according to the Service Manual "Touch up spraying", section 8 (80).

### Note!

The tape must cure for 24 hours at a minimum of 20°C before painting.

3



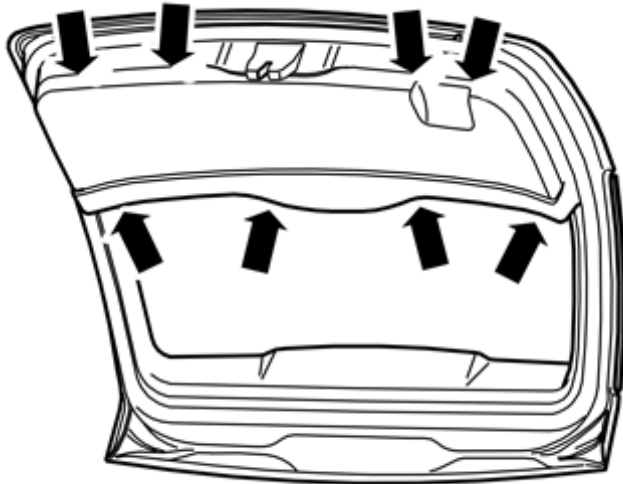
J8903728

Remove the outer section of the inner handle for the tailgate. First pry off the handle at the sides of the joint between both sections. Then pull straight out. The inner section releases with the panel when removed.

# Installation instructions, accessories

Volvo Car Corporation Gothenburg, Sweden

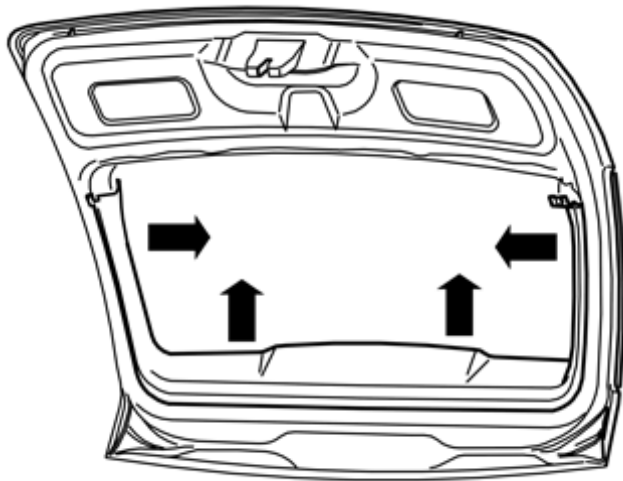
4



Remove the lower panel on the tailgate using a weatherstrip tool. Carefully pry it off all the way round. The lower panel is secured by six clips, two of which secure the inner section of the tailgate handle.

J8903727

5



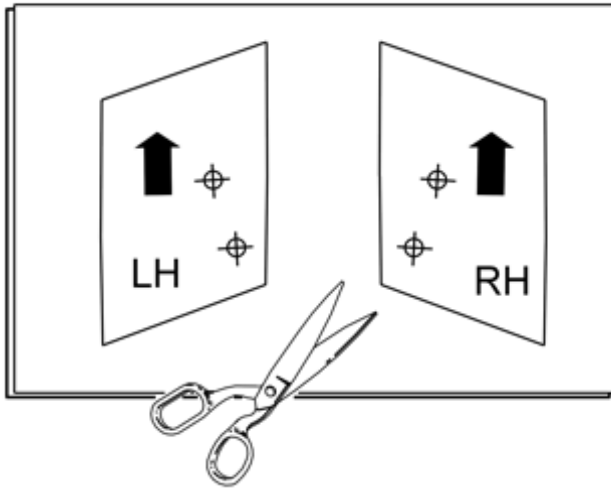
Remove the upper panel from the tailgate. First pull off the vertical sides of the panel until the clips at the bottom edges release (one clip on either side). Then pull the upper edge of the panel in the direction of the arrows until the four clips on the inside release.

J8903501

# Installation instructions, accessories

Volvo Car Corporation Gothenburg, Sweden

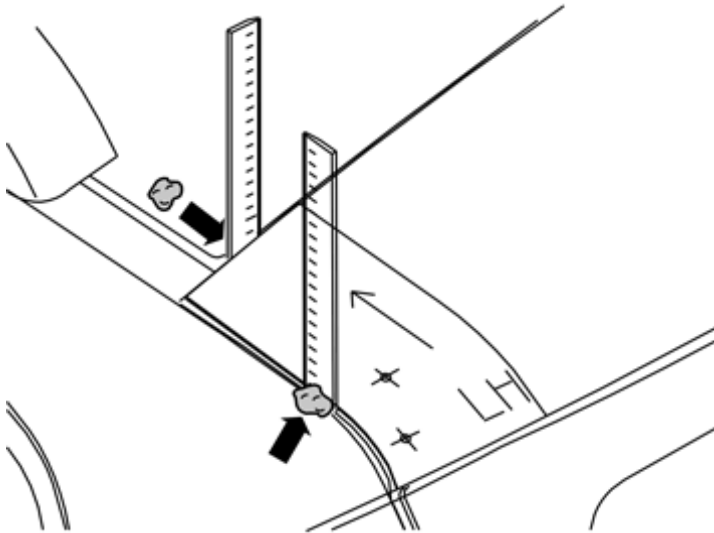
6



J8903505

Take the sheet containing the drilling templates from the kit. Cut out the drilling templates.

7



J8903502

Lay the left drilling template against the left-hand corner of the upper edge, as illustrated.

Secure two rulers or similar. Use a few pieces of butyl tape. The rulers are used to guide the template up against the sides and front edge of the tailgate.

**Note!**

Do not apply butyl tape between the ruler and the edge of the tailgate.

Secure the rulers in the middle of the side and front edge of the template.

Position the template against the rulers so that it is edge to edge with the corner of the tailgate.

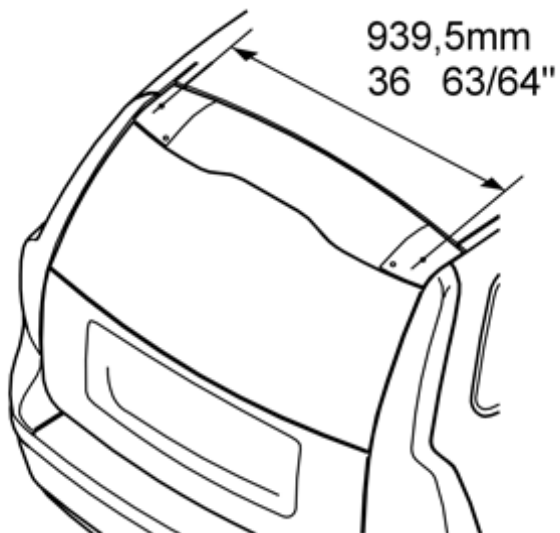
Tap the template in position.

Repeat the operation on the right-hand side.

# Installation instructions, accessories

Volvo Car Corporation Gothenburg, Sweden

8



Check the distance between the upper holes in the drilling templates. The distance must be 939.5 mm (36 63/64"). Adjust if necessary.

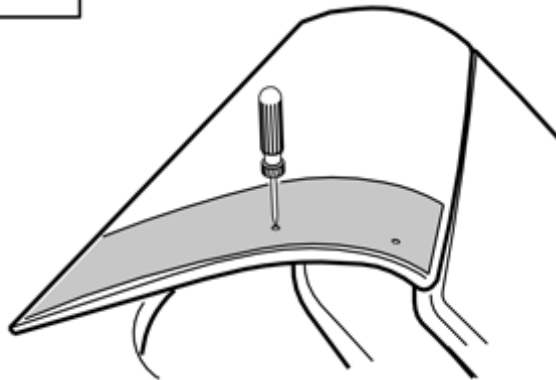
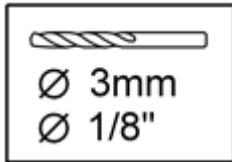
Remove the rulers and the butyl tape.

J8903504

# Installation instructions, accessories

Volvo Car Corporation Gothenburg, Sweden

9A



## Illustration A

Mark through the templates on to the tailgate using an awl.

Remove the templates.

Pre-drill the holes through both layers of the tailgate. Use a Ø3 mm (1/8") diameter drill bit. Ensure that the drill is held at right-angles to the tailgate.

## Illustration B

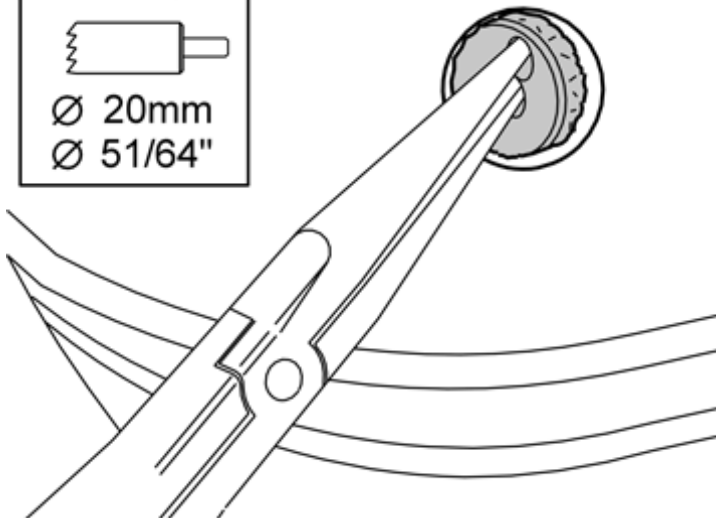
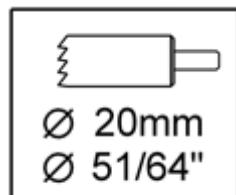
Drill out the upper holes (measured) from the inside of the tailgate. Use a Ø20 mm (51/64") diameter hole saw.

### Note!

Only drill in the innermost plate.

J8903723

9B



### Note!

Do not let the cut section fall between the plates. Angle the hole saw after cutting through the paint layer and part of the plate thickness. Now drill carefully until the hole saw passes through the plate. See illustration. Bend up the cut section and work it away from the panel. Use round-nosed pliers.

## Illustration C

Drill the four holes from the outside. Use a Ø7 mm (9/32") diameter drill bit.

Then drill out the four holes from the outside. Use a Ø11 mm (7/16") diameter drill bit.

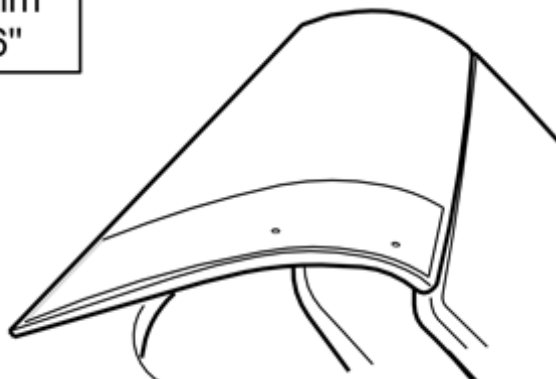
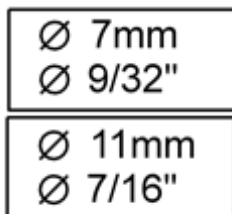
Smooth off the hole edges. Remove any swarf.

### Note!

There may be sealing compound residue between the outer and inner plates in the tailgate where the screws will be tightened. Remove the sealing compound before installing the roof spoiler.

J8903495

9C



Check that the roof spoiler aligns in the drilled holes. Adjust if necessary, using a small round file.

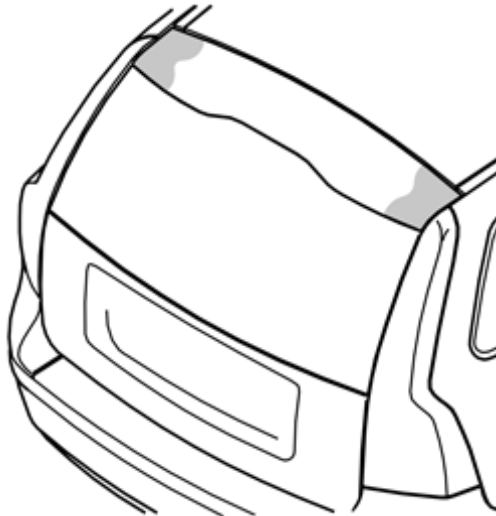
J8903724



# Installation instructions, accessories

Volvo Car Corporation Gothenburg, Sweden

10

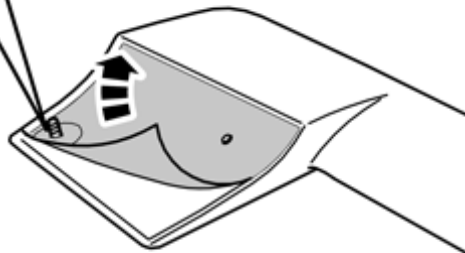


Clean the surfaces where the roof spoiler is to be installed. Use a mixture of 30% windscreen washer fluid and 70% water. Wipe dry.

Treat the edges of the holes using a rust-proofing agent. Do not damage the mating surfaces of the roof spoiler and the cover plugs.

J8903236

11A



### Note!

To ensure the best results, it is recommended that two people install the roof spoiler on the tailgate.

### Note!

Remember that the spoiler must be installed symmetrically on the tailgate. Tip: Check that the studs are in the centre of the holes on the inside of the tailgate.

### Illustration A

Remove the backing from the mounting tape for the roof spoiler.

Remove the backing tape from the projection around the studs.

### Illustration B

Each person should hold one end of the roof spoiler. Carefully insert the studs (1) in the underside of the roof spoiler in the front drilled holes. Ensure that the tape is not sticking to the tailgate yet.

Open the tailgate. Screw in the two screws with washers (2) from the kit into the tailgate spoiler a few turns.

Press the roof spoiler against the tailgate so that the tape is properly secured (otherwise there is a risk of the tape coming loose when installing the screws and nuts). Tighten the two nuts and washers (3) from the kit. Tighten the screws. Tighten the nuts and screws. Tighten to 5 Nm (3.7 lbf. ft)

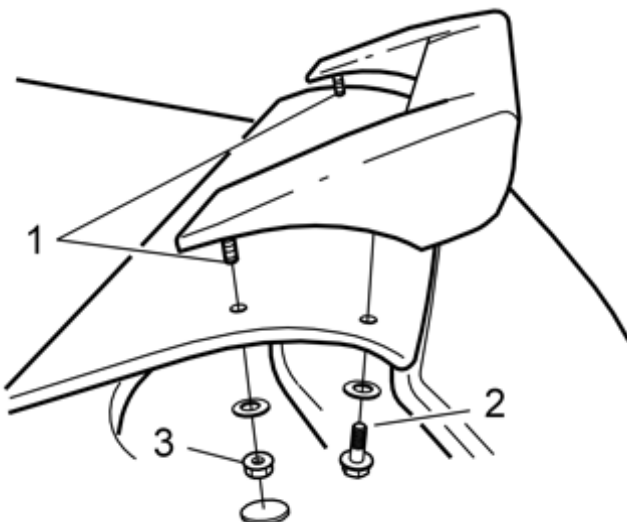
Post-tighten the screws and nuts after 5 minutes.

Reinstall the panels and the handle on the inside of the tailgate.

Install the two cover plugs from the kit over the large drilled holes on the inside of the tailgate.

J8903231

11B



J8903232

# Installation instructions, accessories

Volvo Car Corporation Gothenburg, Sweden

---

12

**Note!**

After installing the roof spoiler, leave the car indoors for 2 hours before driving.

**Note!**

Do not wash the car for at least 48 hours after installing the roof spoiler.

---